

PRINT TILING TEMPLATE GUIDE FOR SIZE SPECIFIC CHOICE
 TRIMLESS PRINT AT HOME PATTERN

2



PHOEBE DRESS

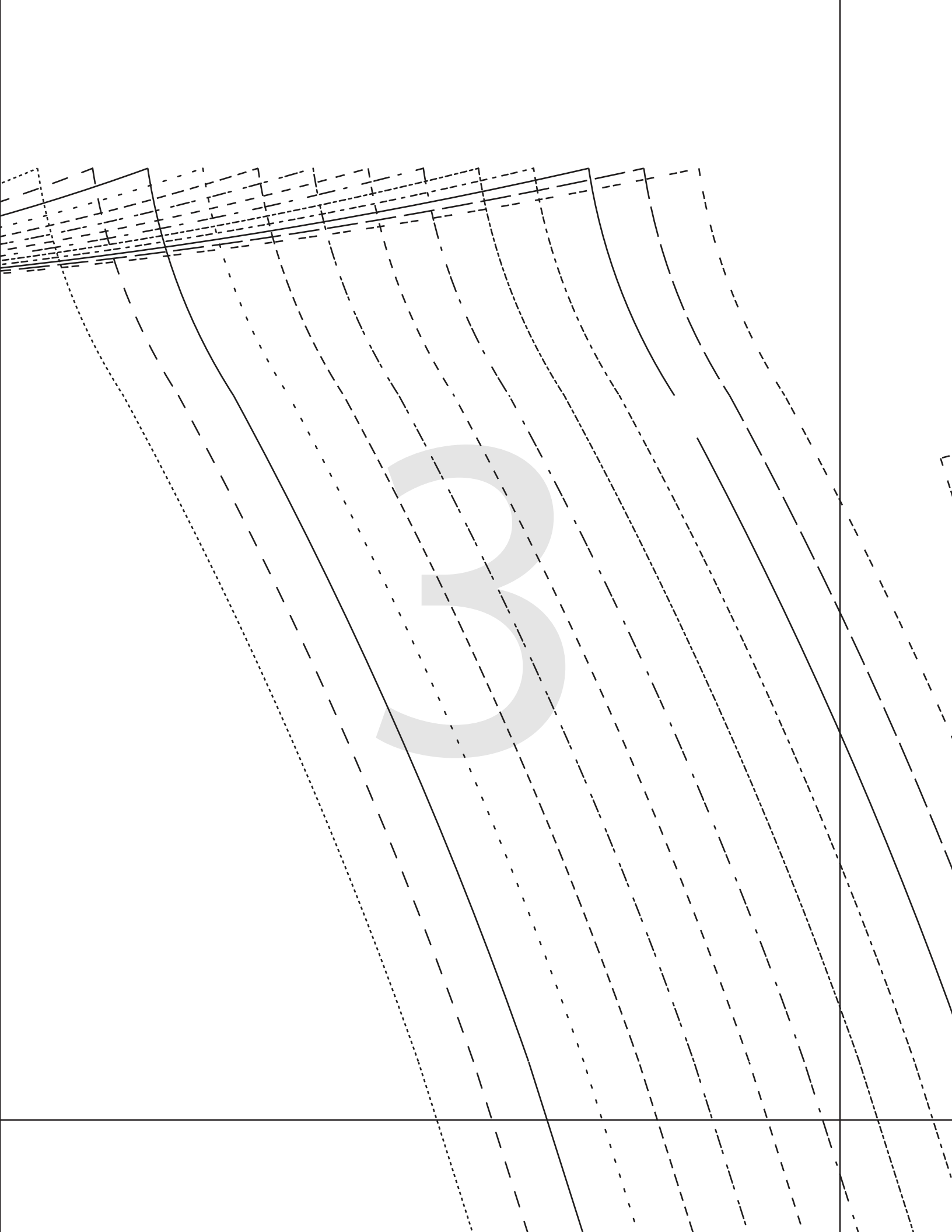
#0722

4

BACK SKIRT

CUT 1 FOLD

(6mms (1/4") seam allowance unless otherwise stated)



4



5

6

CUT HERE 72 cms (29") LENGTH
HEM ALLOWANCE = 2cms (3/4")

CUT HERE 60cms (24") LENGTH
HEM ALLOWANCE = 2cms (3/4")

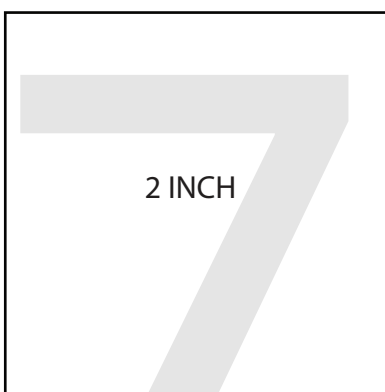
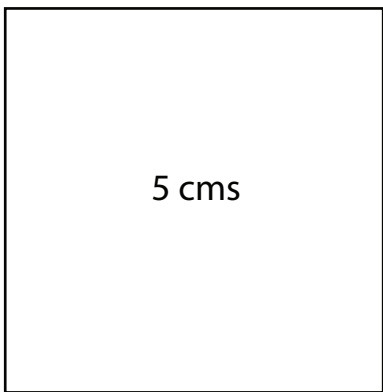


CUT HERE
HEM ALLOW

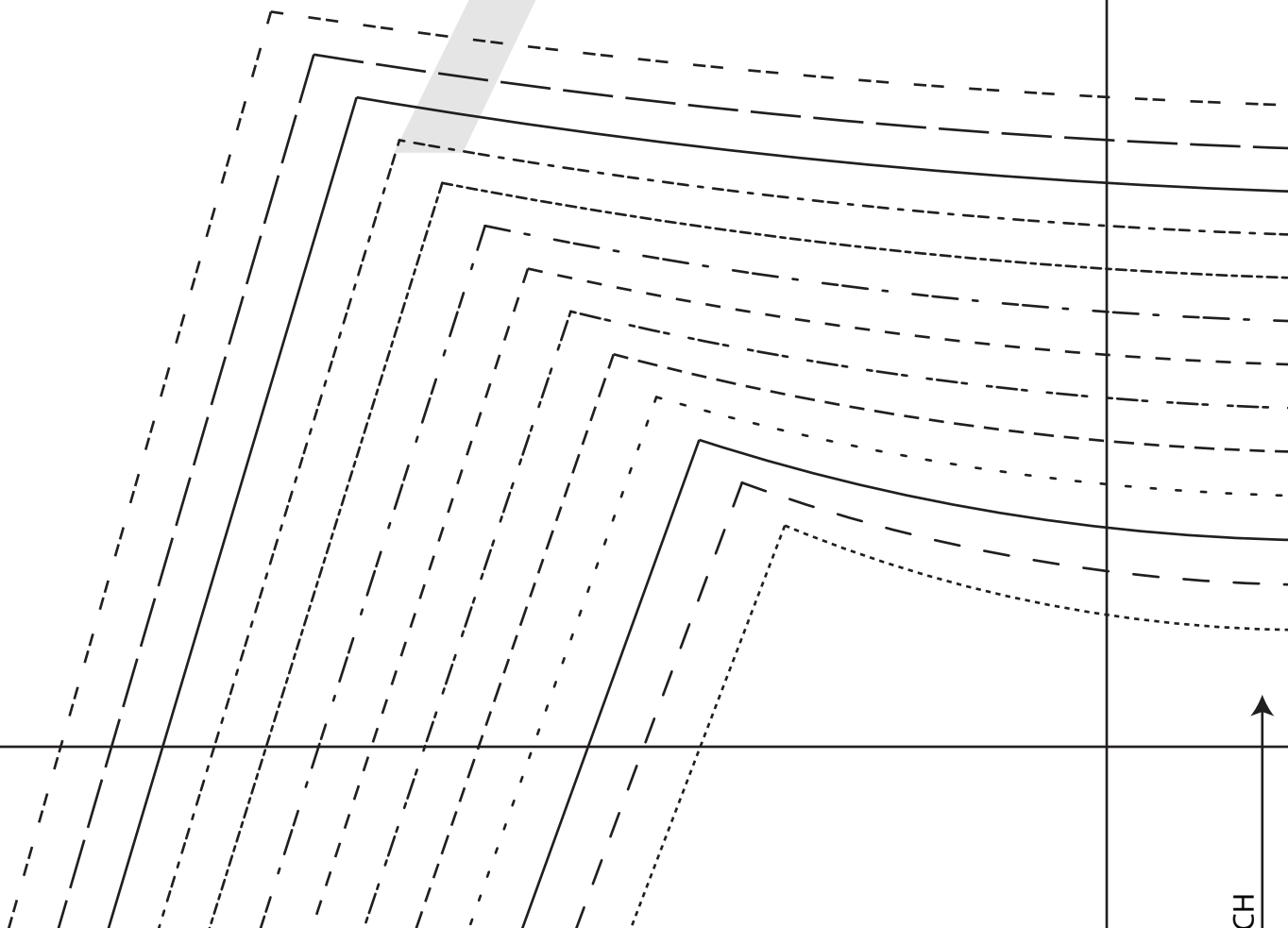


PHOEBE DRESS

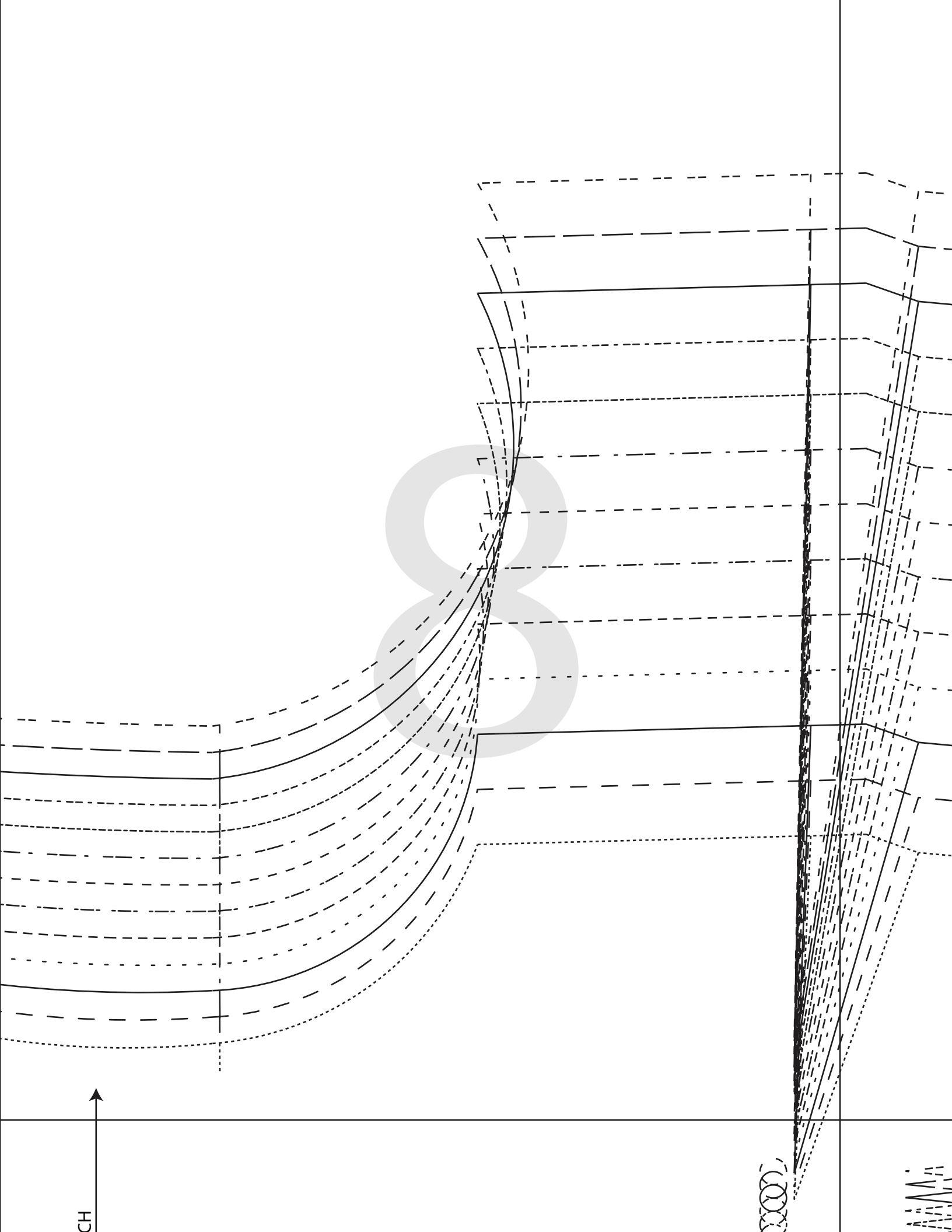
#0722



CUT HERE
HEM ALLOW

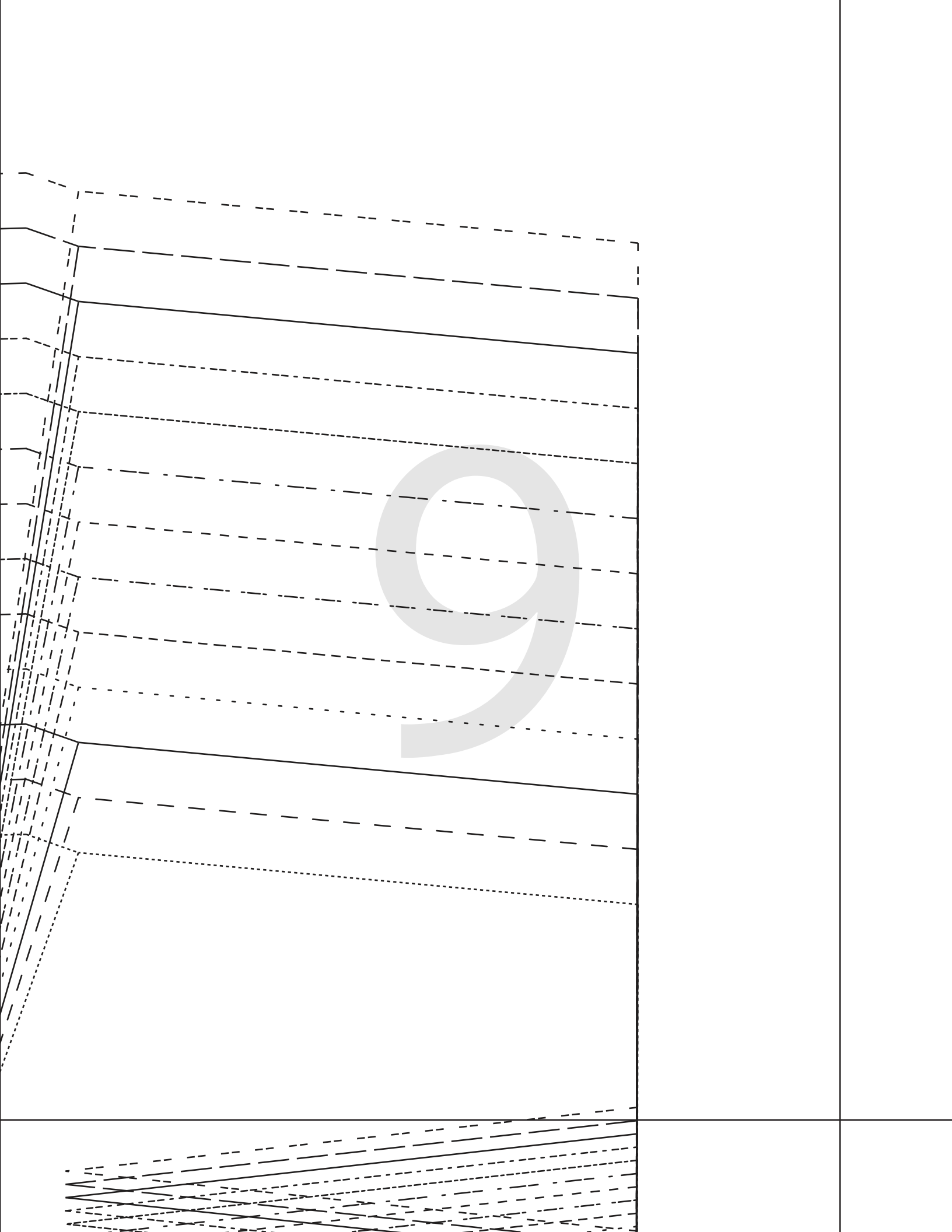


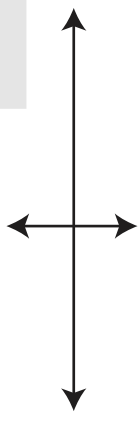
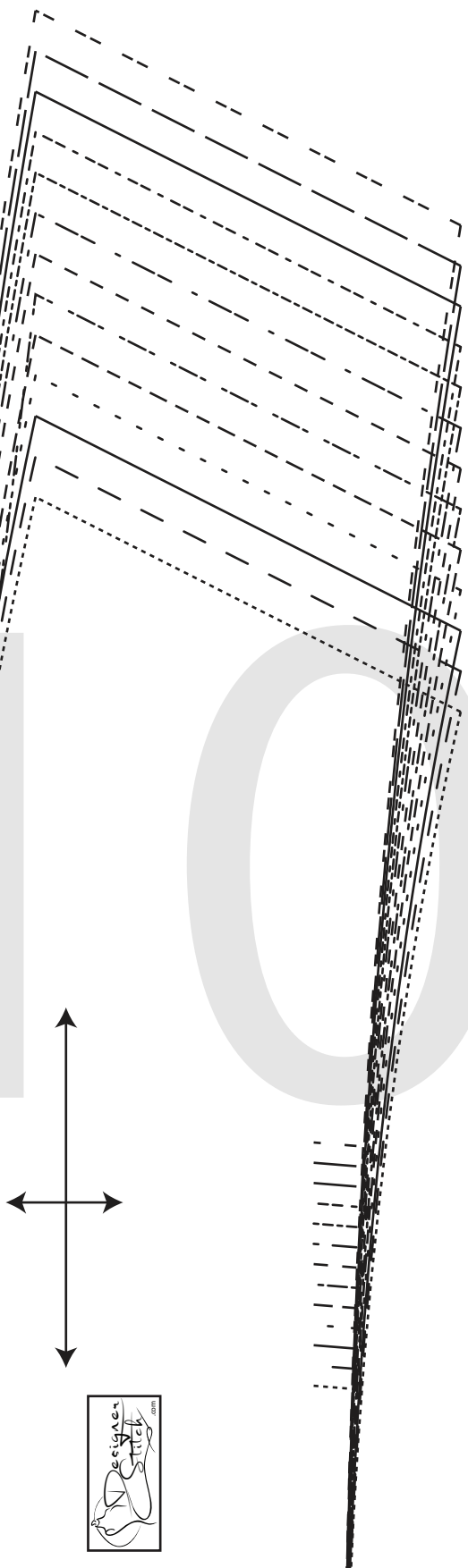
CH



CH







PHOEBE DRESS
#0722

7

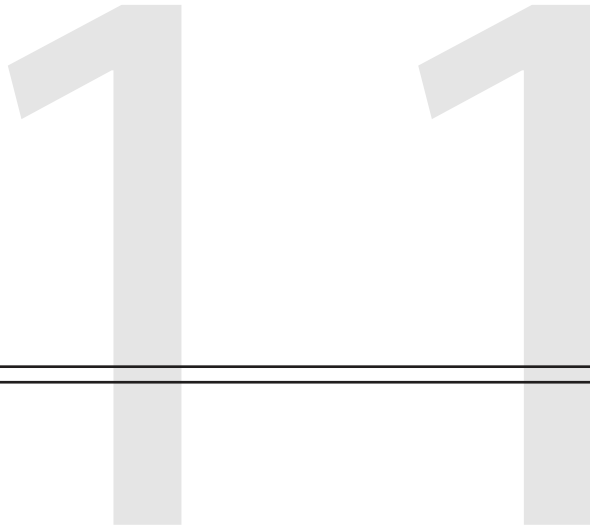
UPPER COLLAR
CUT 2 FOLD MAIN
CUT 1 FOLD INTERFACING

(6mm (1/4") seam allowance unless
otherwise stated)

BACK SKIRT

CUT 1 FOLD

(6mms (1/4") seam allowance unless otherwise stated)

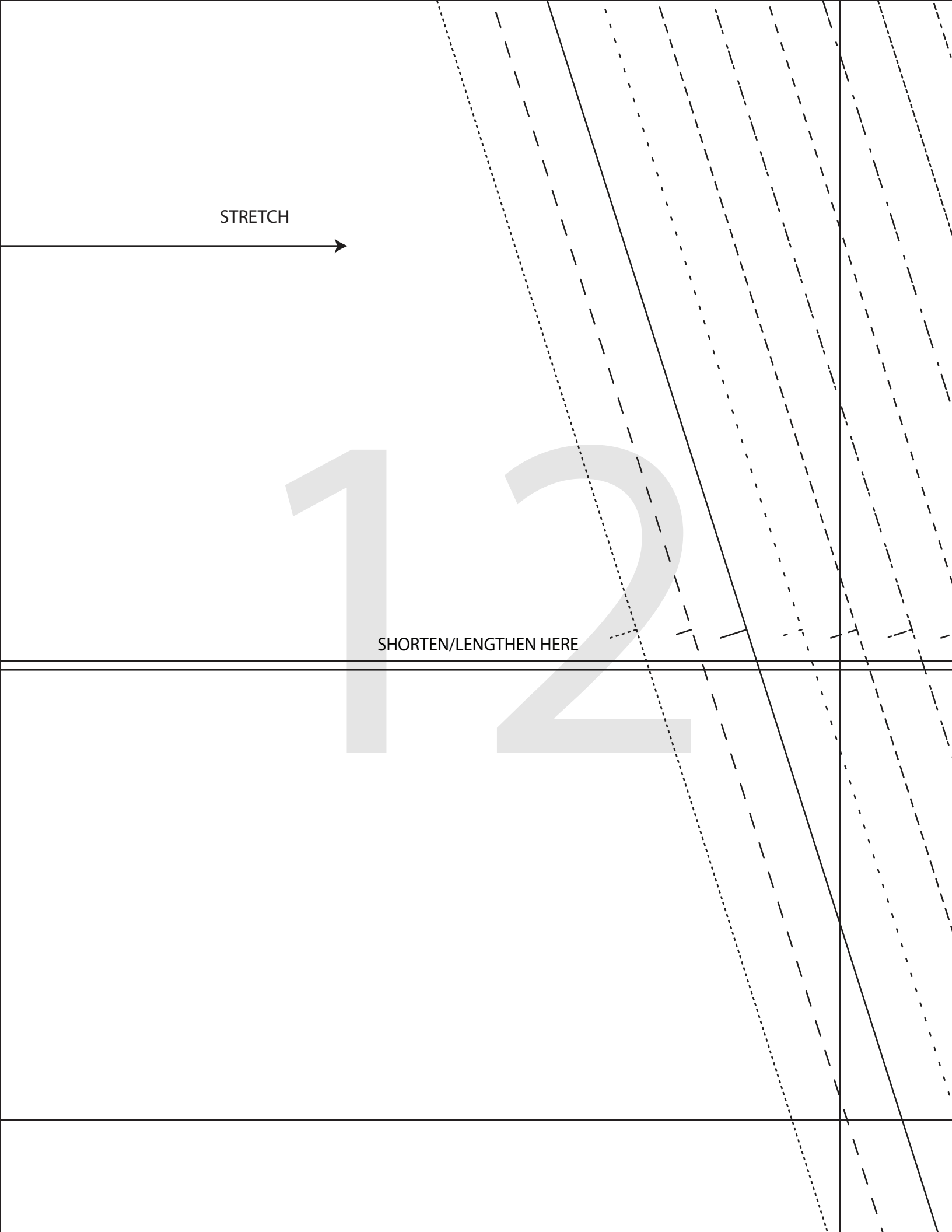


STRETCH

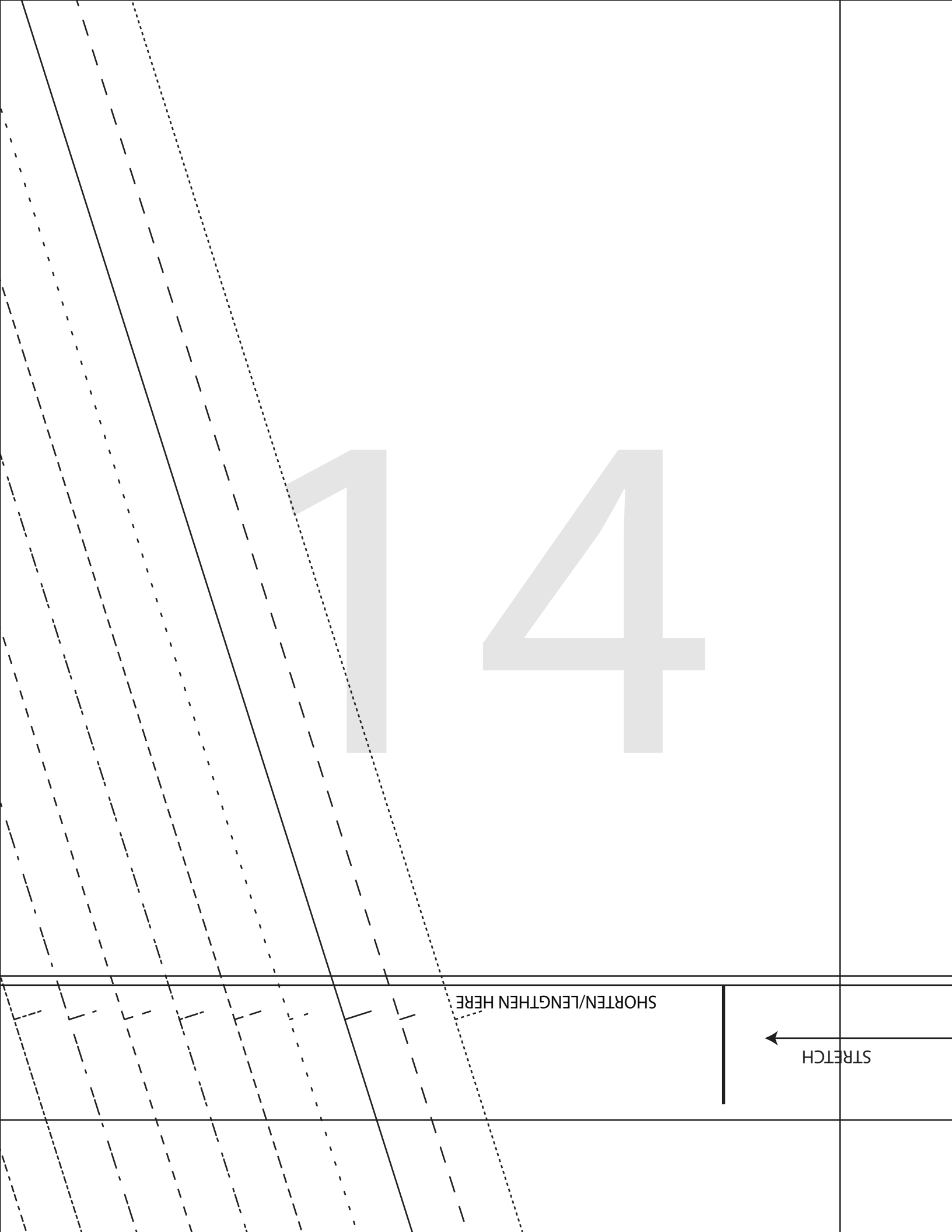


1 2

SHORTEN/LENGTHEN HERE



13



14

SHORTEN/LENGTHEN HERE

STRETCH

15

5
FRONT SKIRT

CUT 1 FOLD

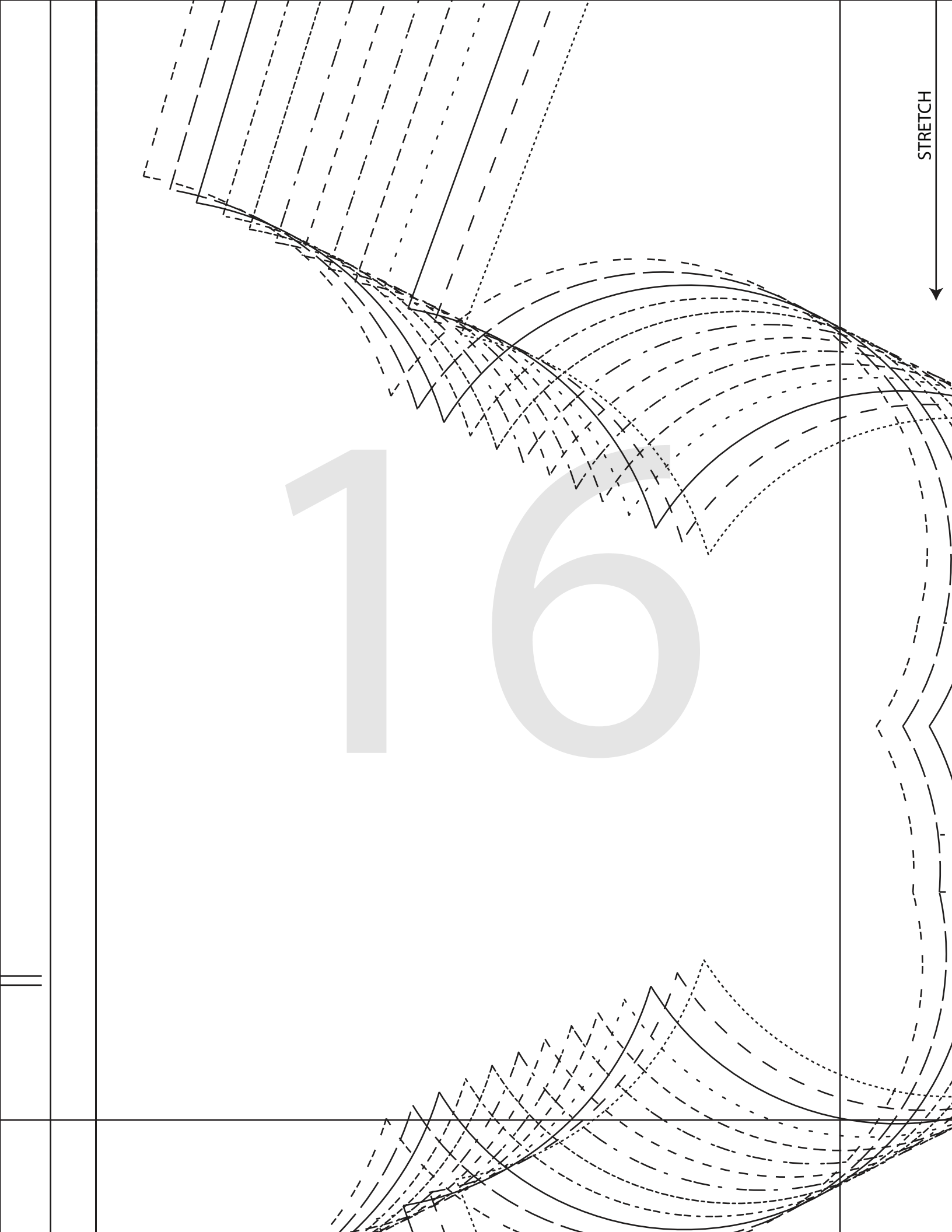
(6mm (1/4") seam allowance unless
otherwise stated)



STR

STRETCH

16



STRETCH



PHOEBE DRESS

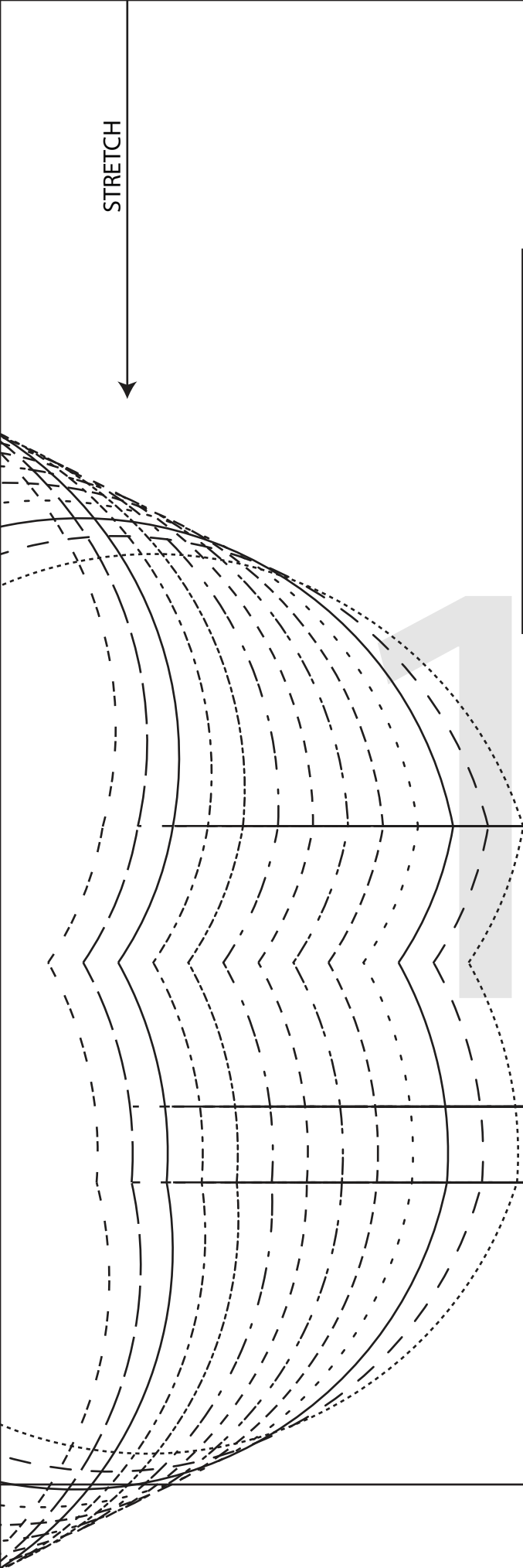
#0722

2

FRONT - B CUP

CUT 1

(6mm (1/4") seam allowance unless otherwise stated)



CENTRE FRONT

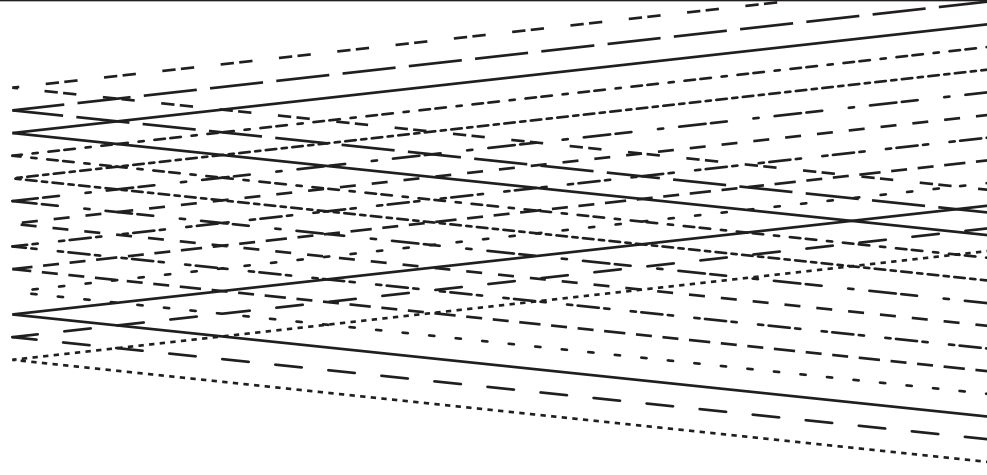
FOLDLINE

CENTRE FRONT



CUT 1

(6mm (1/4") seam allowance unless otherwise stated)

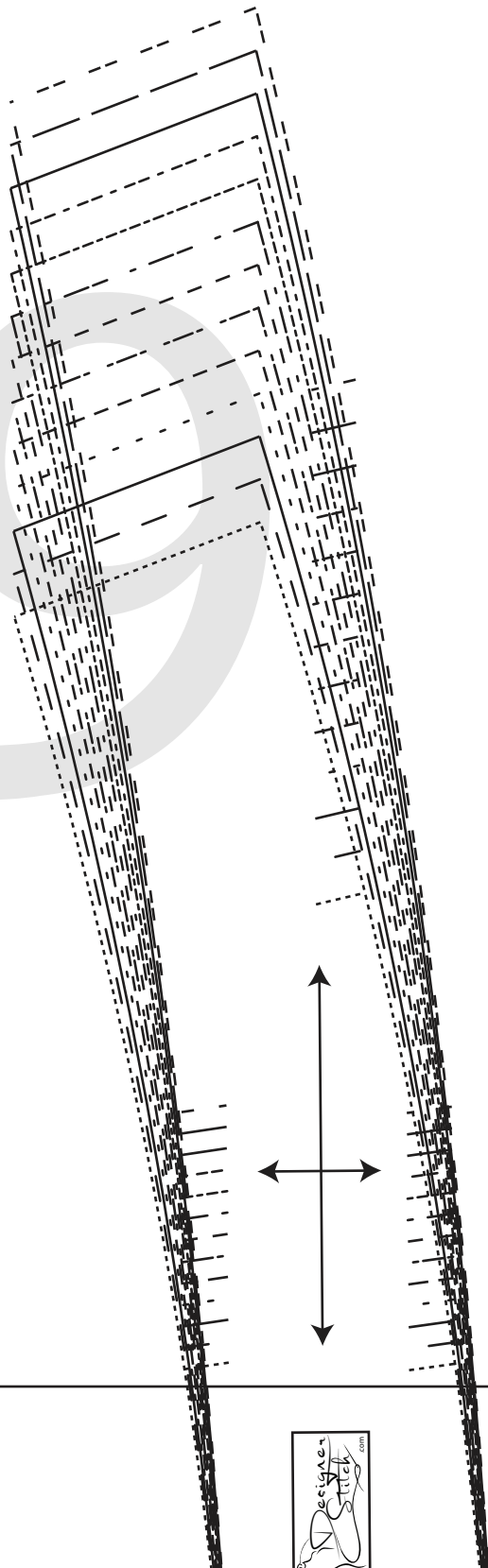
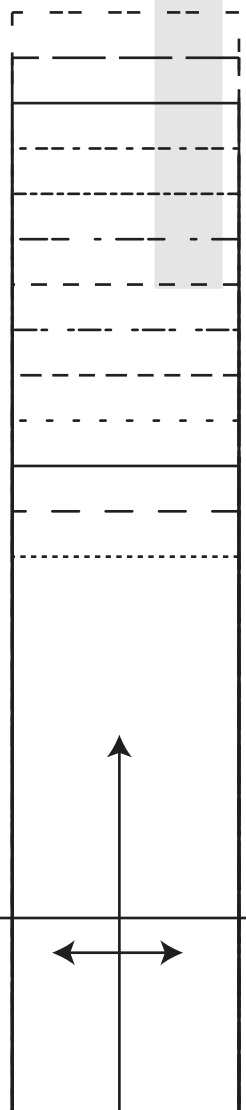
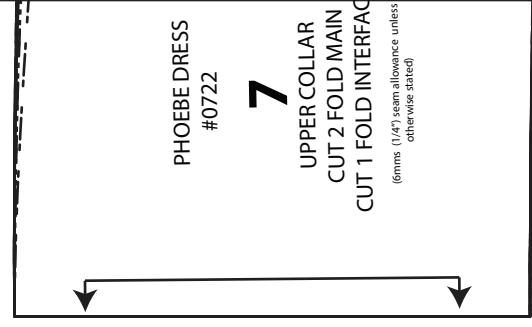


PHOEBE DRESS
#0722

7

UPPER COLLAR
CUT 2 FOLD MAIN
CUT 1 FOLD INTERFAC

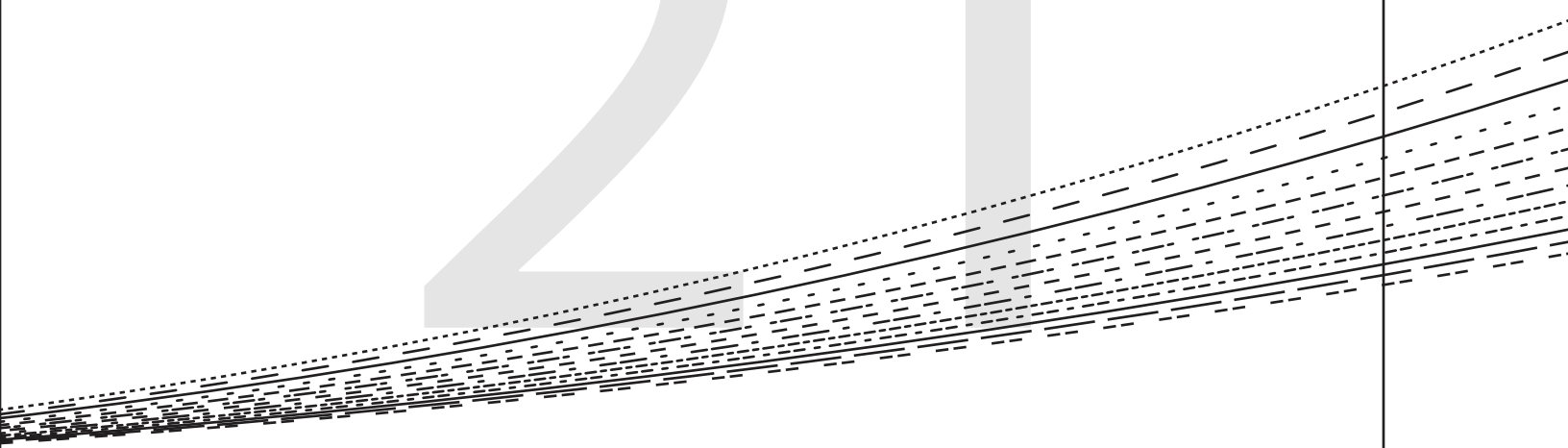
(6mm (1/4") seam allowance unless otherwise stated)

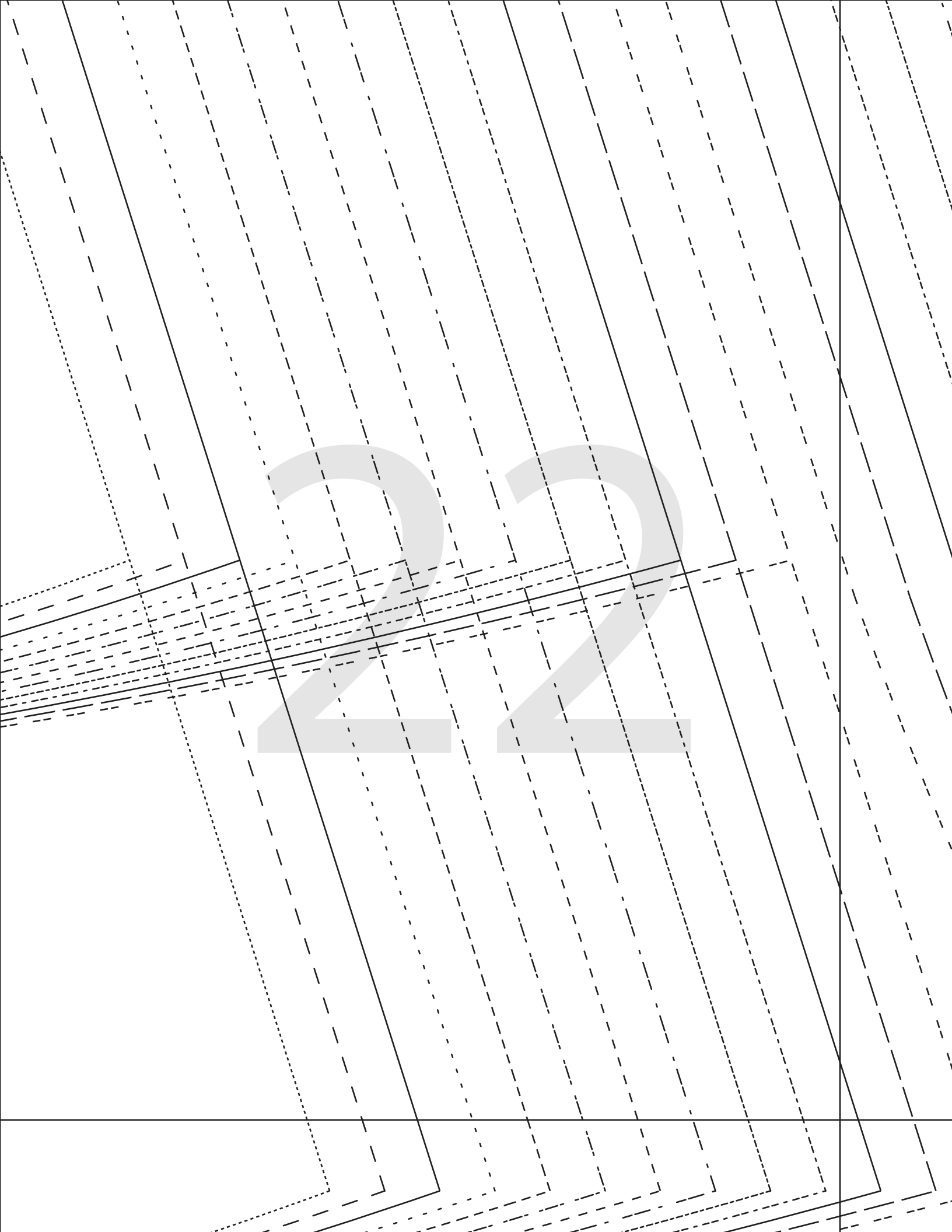


20

CUT HERE 60cms (24") LENGTH
HEM ALLOWANCE = 2cms (3/4")

21





23

FRONT SKIRT

5

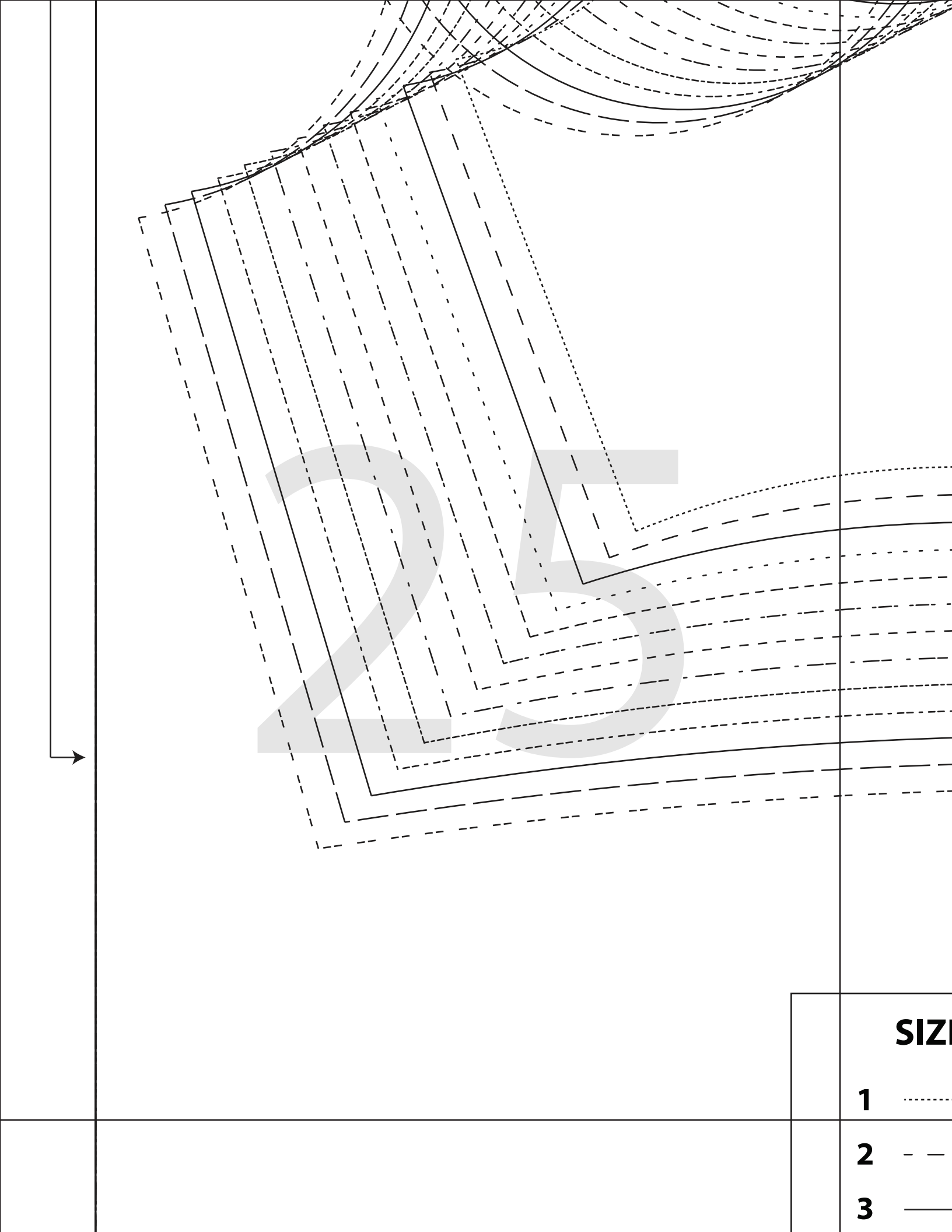
#0722

PHOEBE DRESS



24



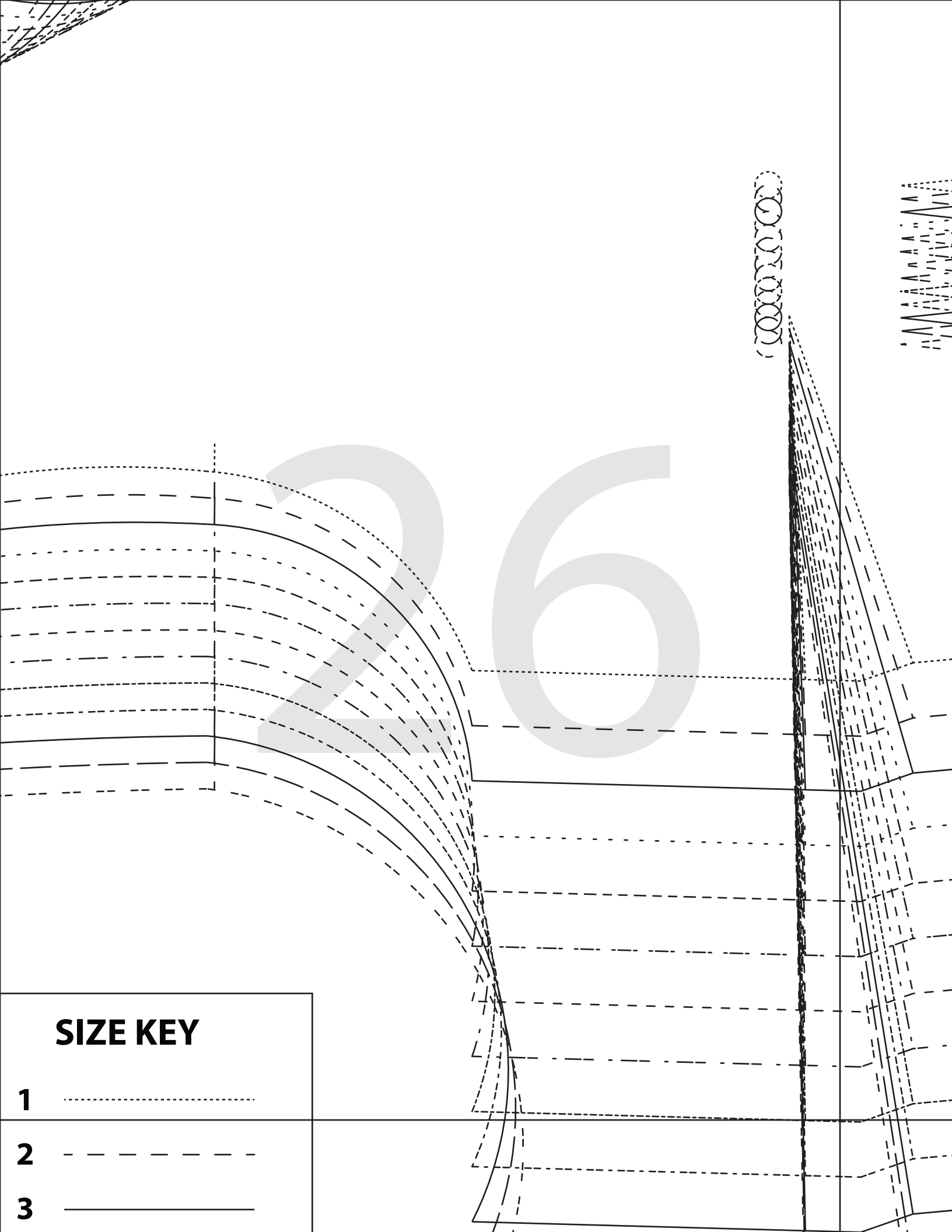


SIZE

1
.....

2 - - -
- - -

3 ———
—————

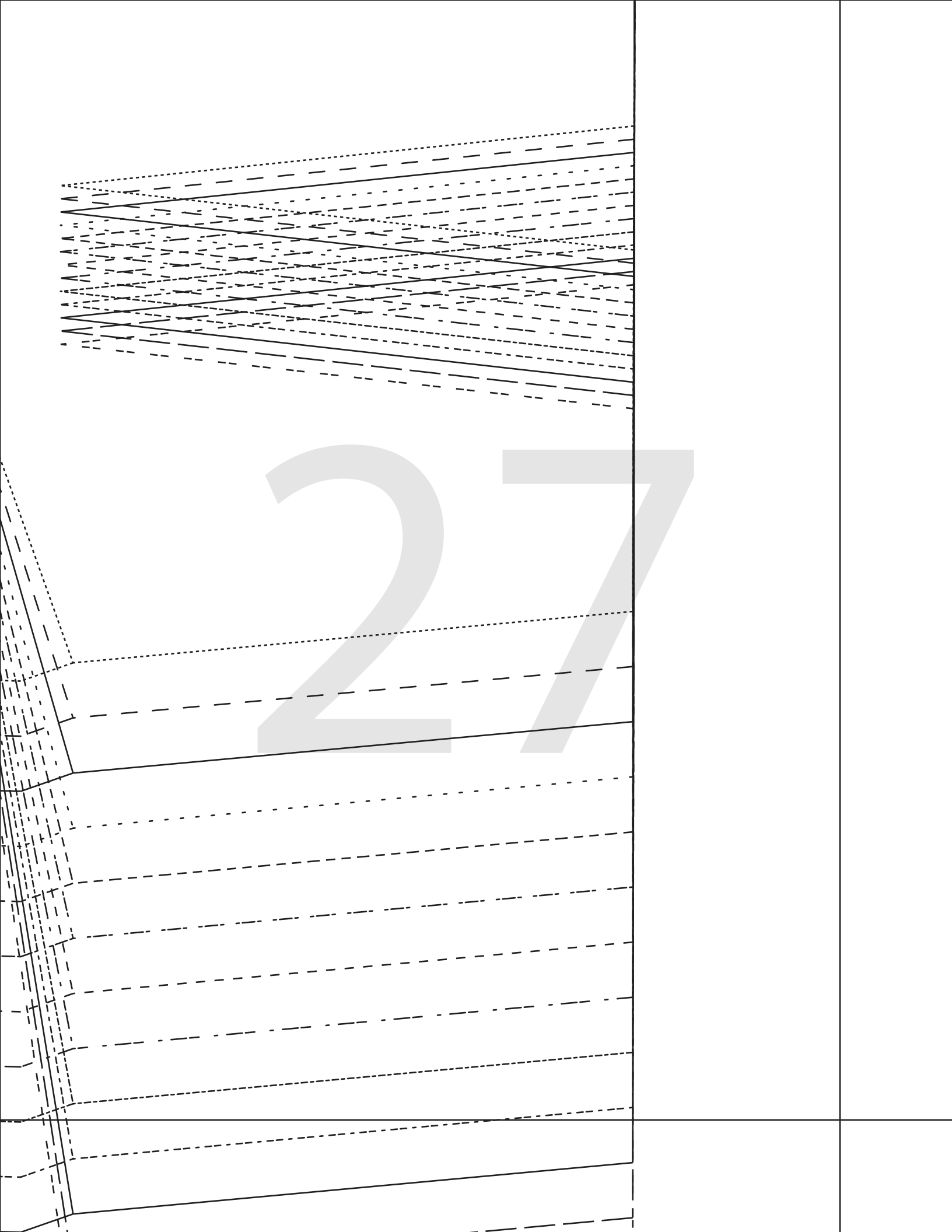


SIZE KEY

1

2 - - - - -

3 _____



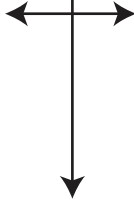
428

PHOEBE DRESS
#0722

8

NECK BIND
CUT 1 MAIN

(6mm (1/4") seam allowance unless otherwise stated)



PHOEBE DRESS
#0722

6

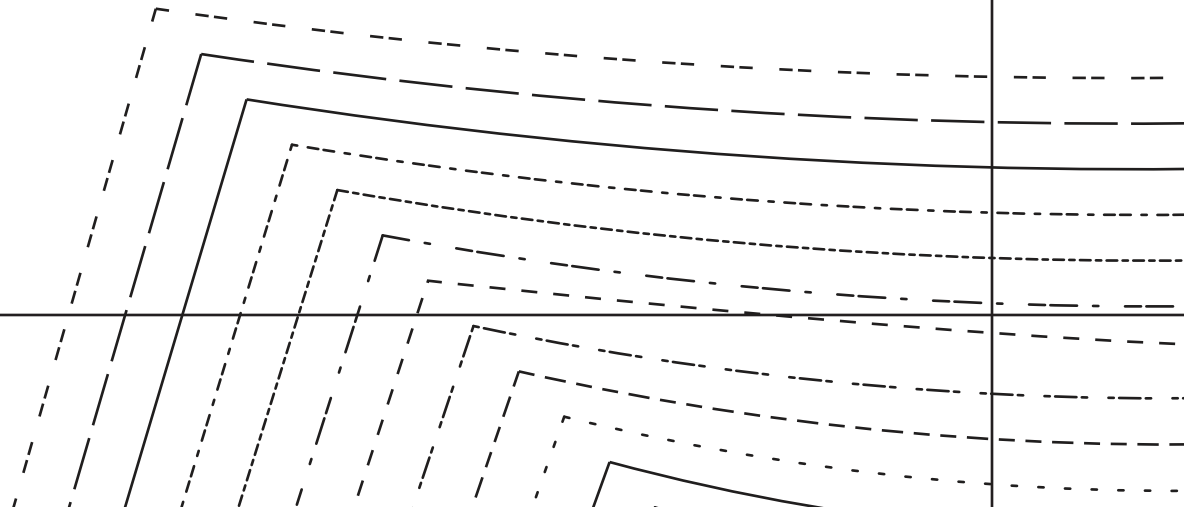
COLLAR STAND
CUT 2 FOLD MAIN
CUT 1 FOLD INTERFACING

(6mm (1/4") seam allowance unless otherwise stated)

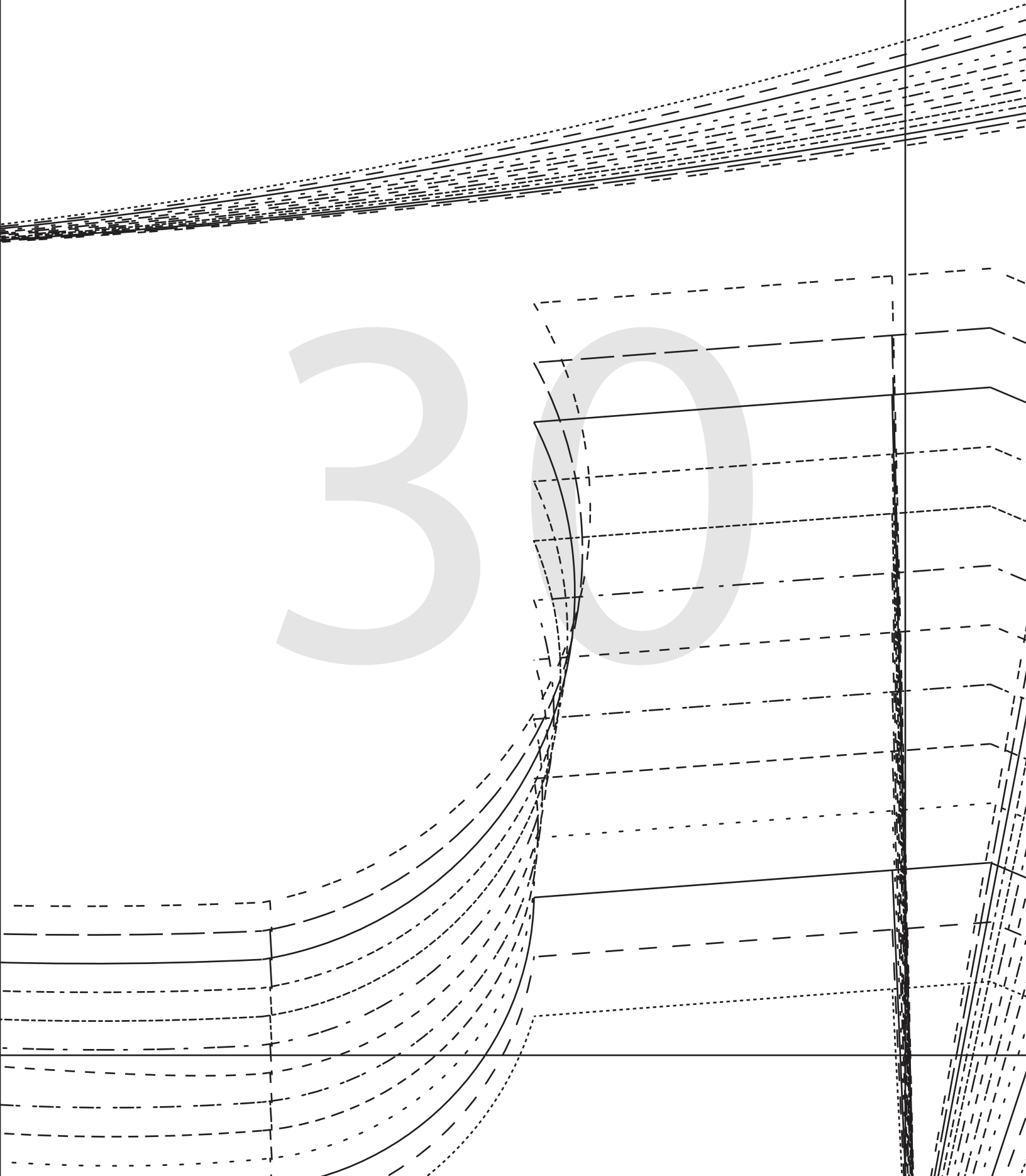


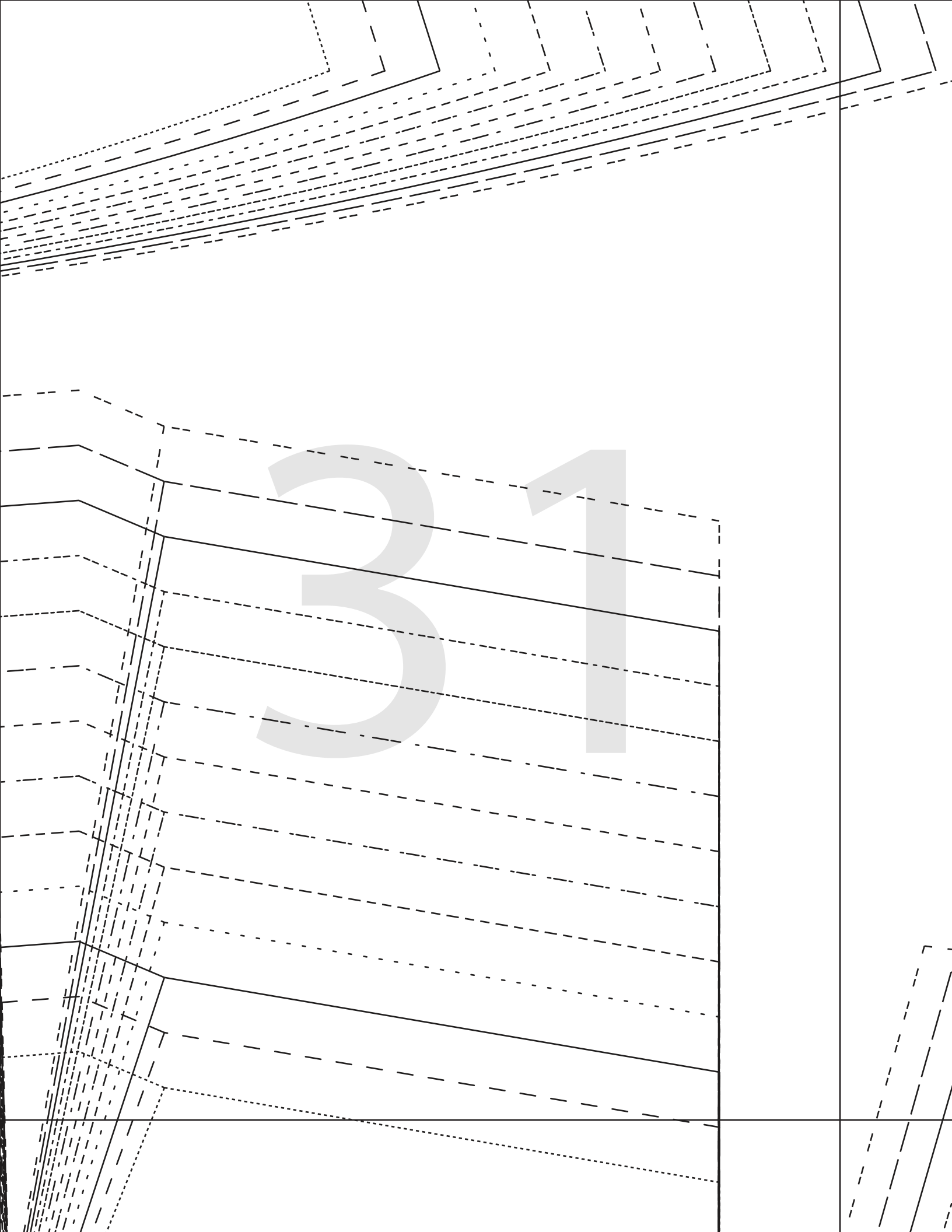
CUT HERE 72 cms (29") LENGTH
HEM ALLOWANCE = 2cms (3/4")

29

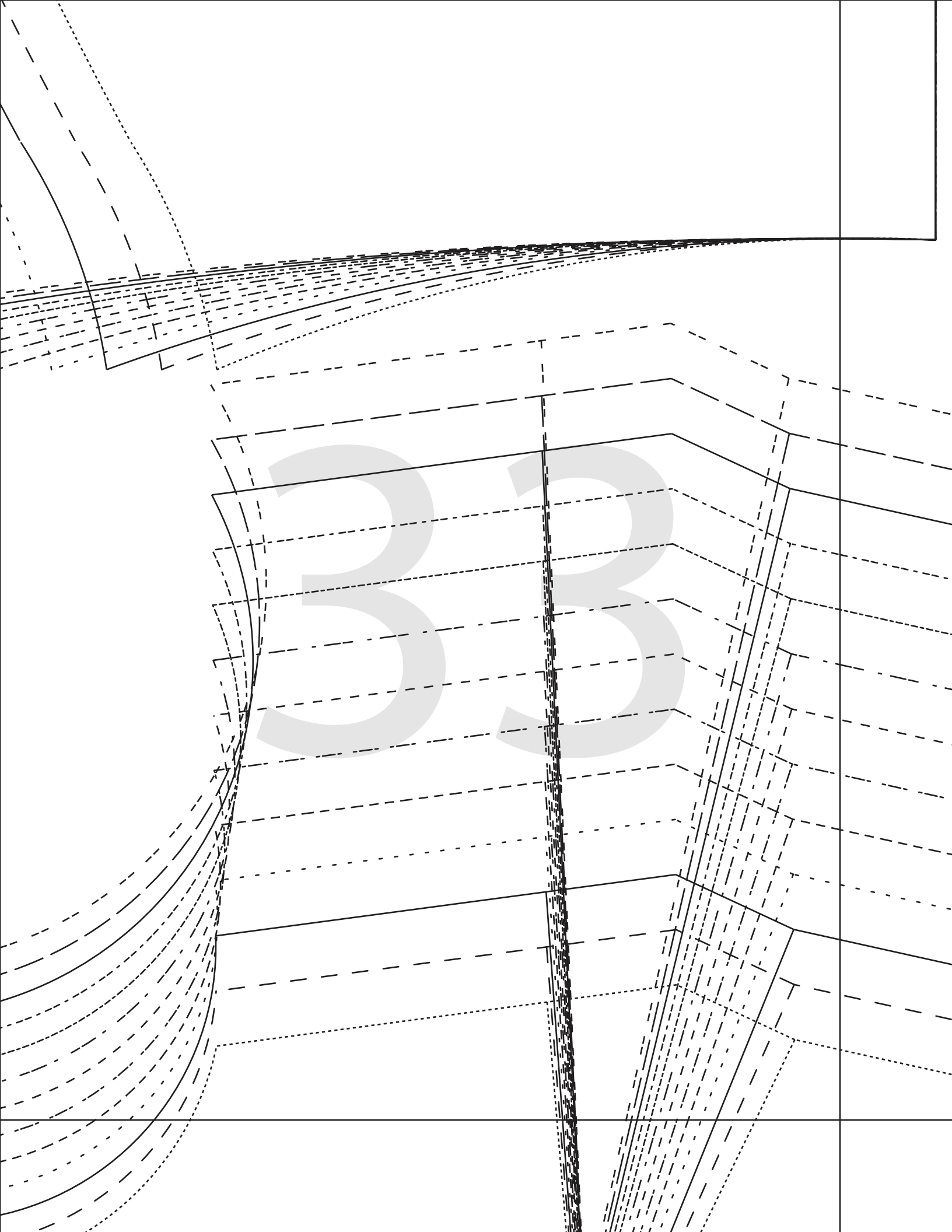


30





The background features a complex geometric pattern of overlapping lines and shapes. At the top, there are several curved lines, some solid and some dashed, that appear to be part of a larger, partially visible shape. Below these, the numbers '32' are prominently displayed in a light gray, sans-serif font. At the bottom, there are more curved lines, some solid and some dashed, that seem to be part of another shape, possibly a continuation of the one at the top. The overall effect is that of a technical drawing or a mathematical diagram with a focus on the numbers '32'.



2

3

4

5

6

7

8

9

10

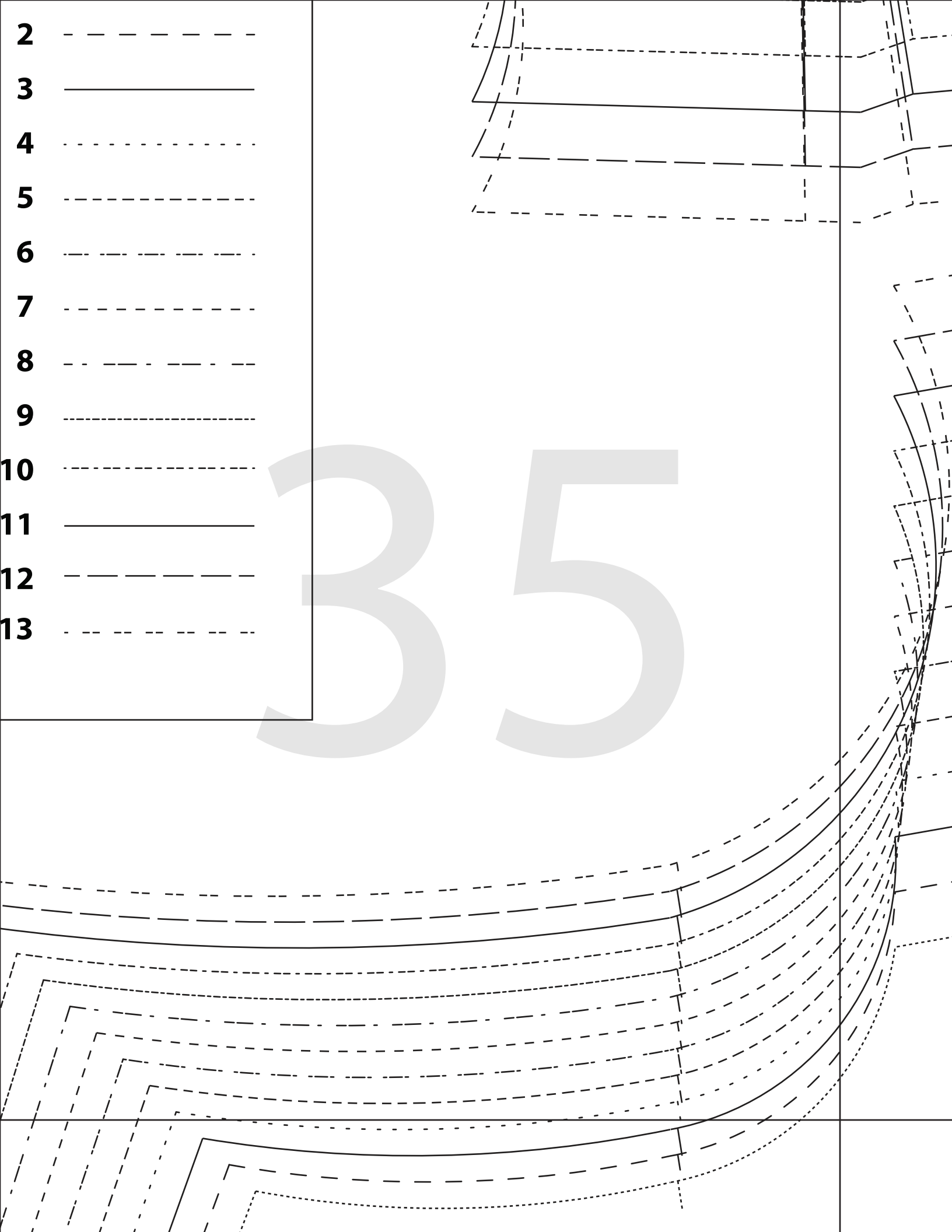
11

12

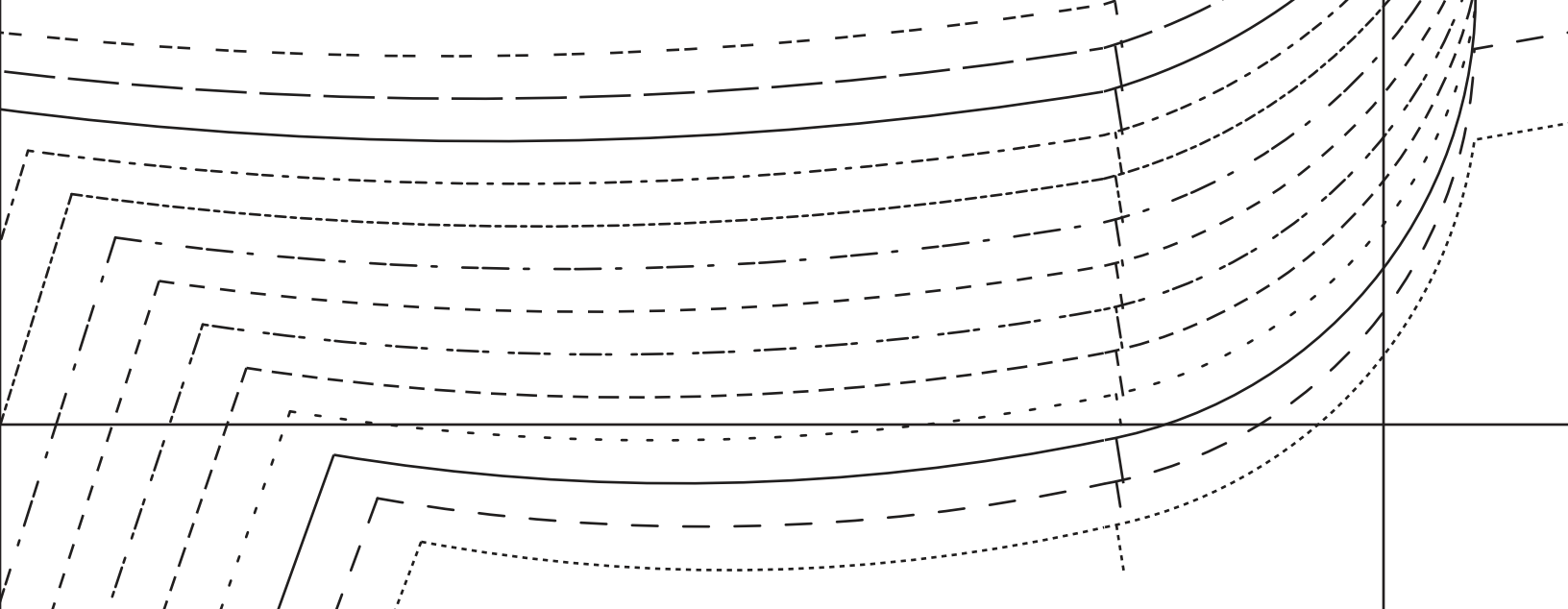
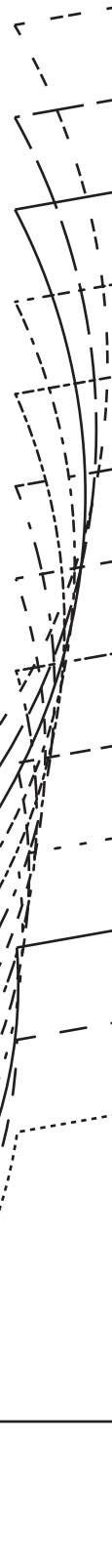
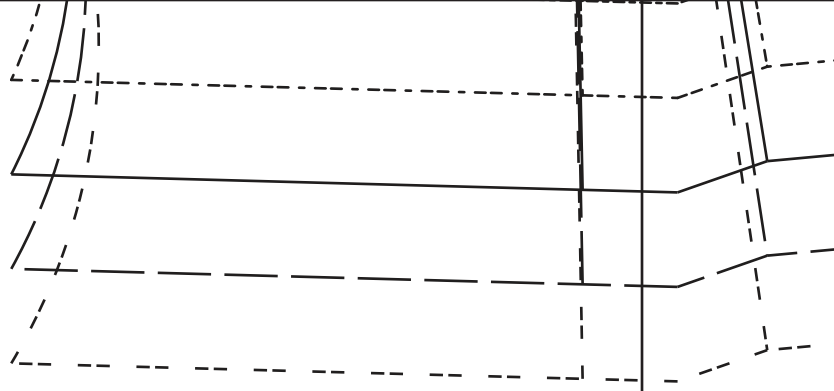
13

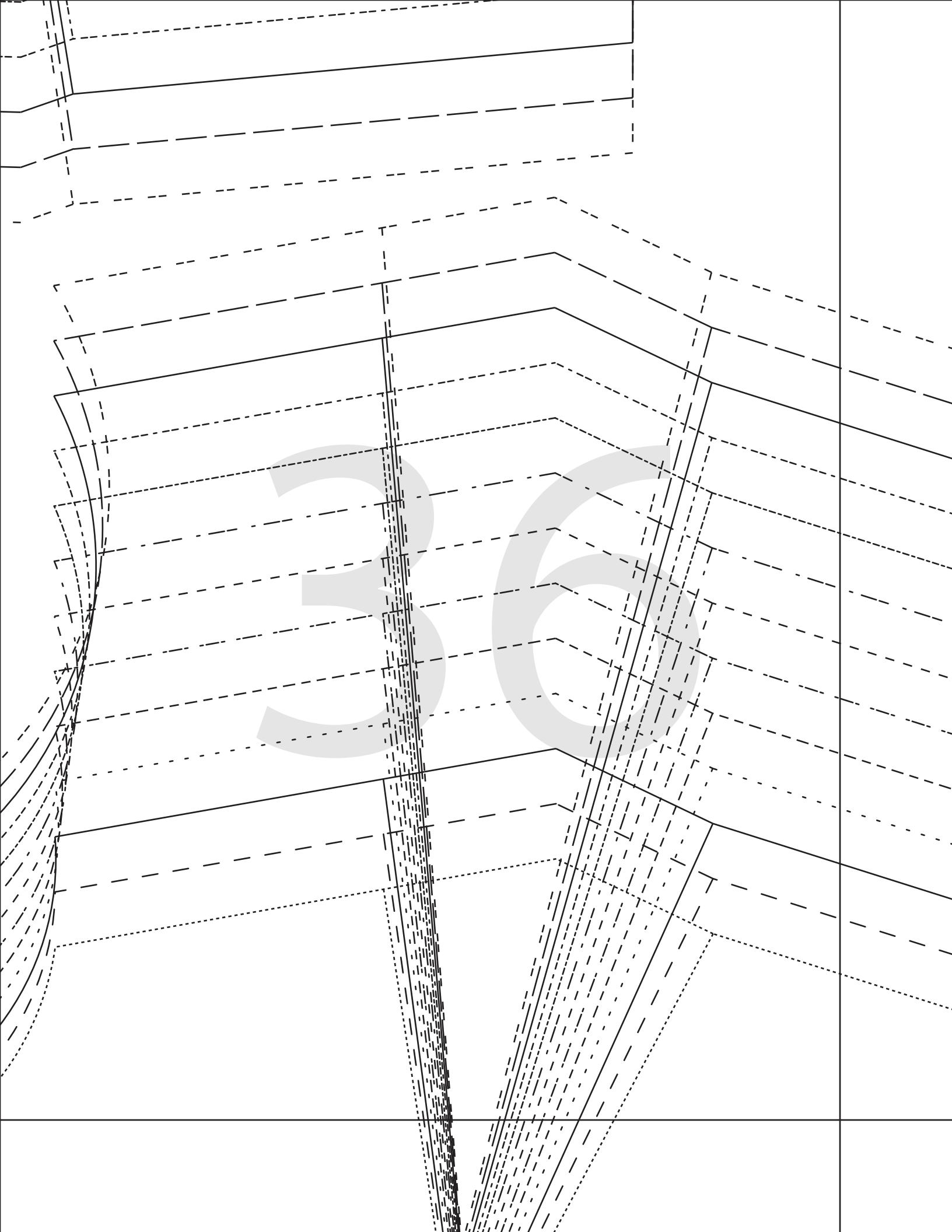
34

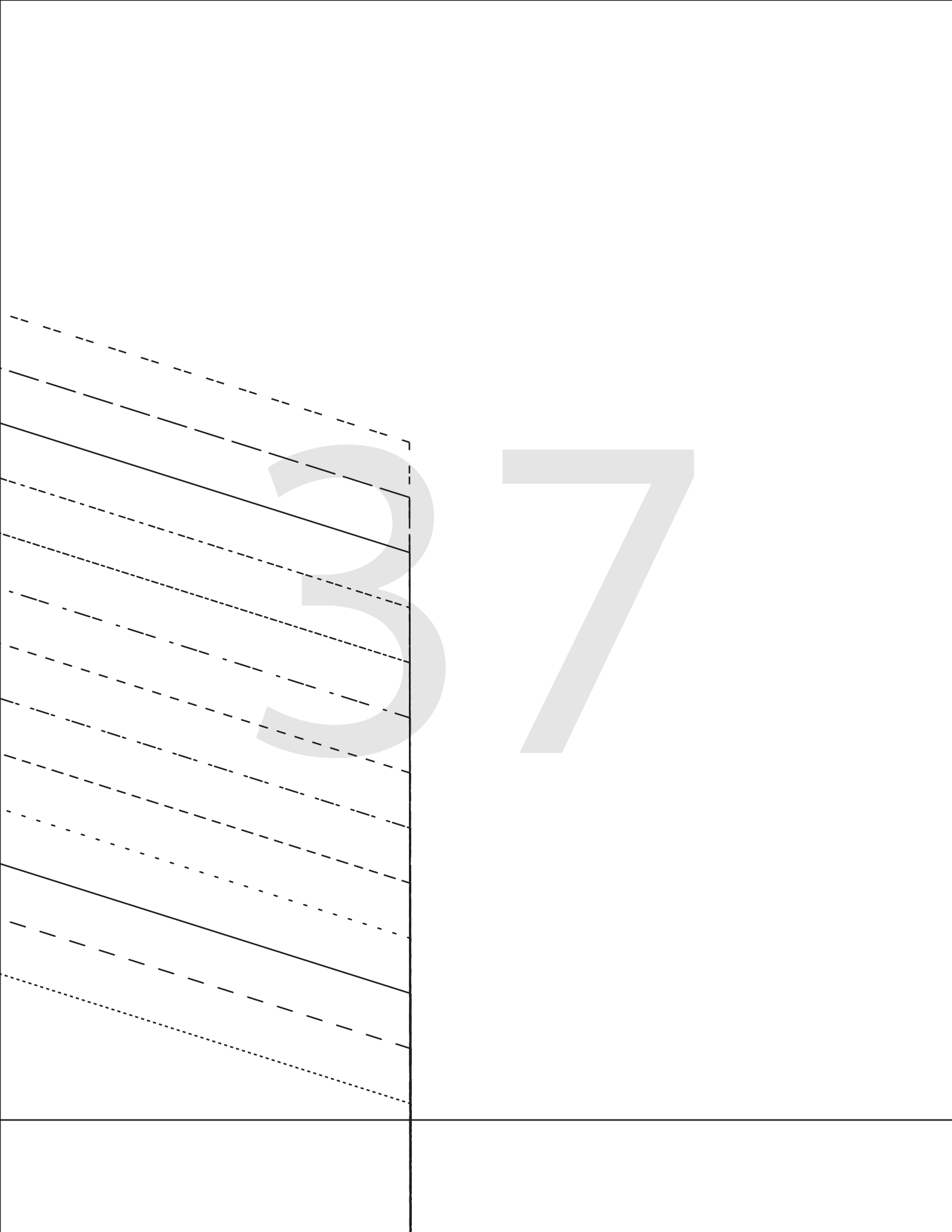
This is a handwriting practice sheet. It features a grid of 13 rows. A legend on the right side identifies the line styles for each row: Row 2 (dashed), Row 3 (solid), Row 4 (dotted), Row 5 (dashed), Row 6 (dotted), Row 7 (dashed), Row 8 (dotted), Row 9 (dashed), Row 10 (dotted), Row 11 (solid), Row 12 (dashed), and Row 13 (dotted). The large number '34' is centered on the grid, with the '3' spanning rows 3 to 6 and the '4' spanning rows 4 to 7. The '3' is formed by a solid top curve, a dashed middle curve, and a dotted bottom curve. The '4' is formed by a solid diagonal stroke, a dashed horizontal stroke, and a dotted vertical stroke. The grid lines are solid, with dashed and dotted lines following the patterns defined in the legend.



- 2 - - - - -
- 3 _____
- 4 - - - - -
- 5 - - - - -
- 6 - - - - -
- 7 - - - - -
- 8 - - - - -
- 9 - - - - -
- 10 - - - - -
- 11 _____
- 12 - - - - -
- 13 - - - - -

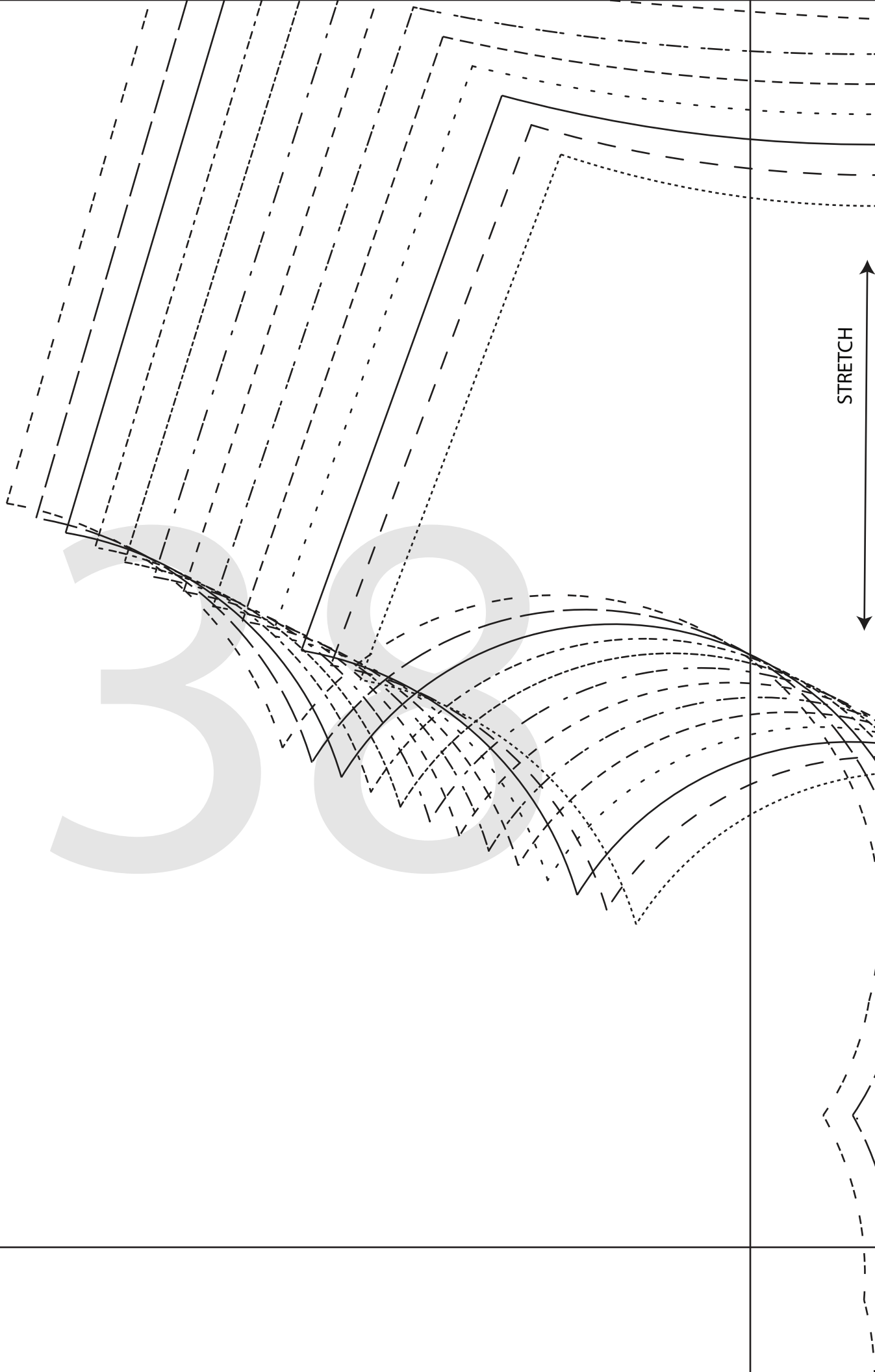






33

7



STRETCH

STRETCH



PHOEBE DRESS

#0722

2

FRONT - C CUP

CUT 1

(6mms (1/4") seam allowance unless otherwise stated)

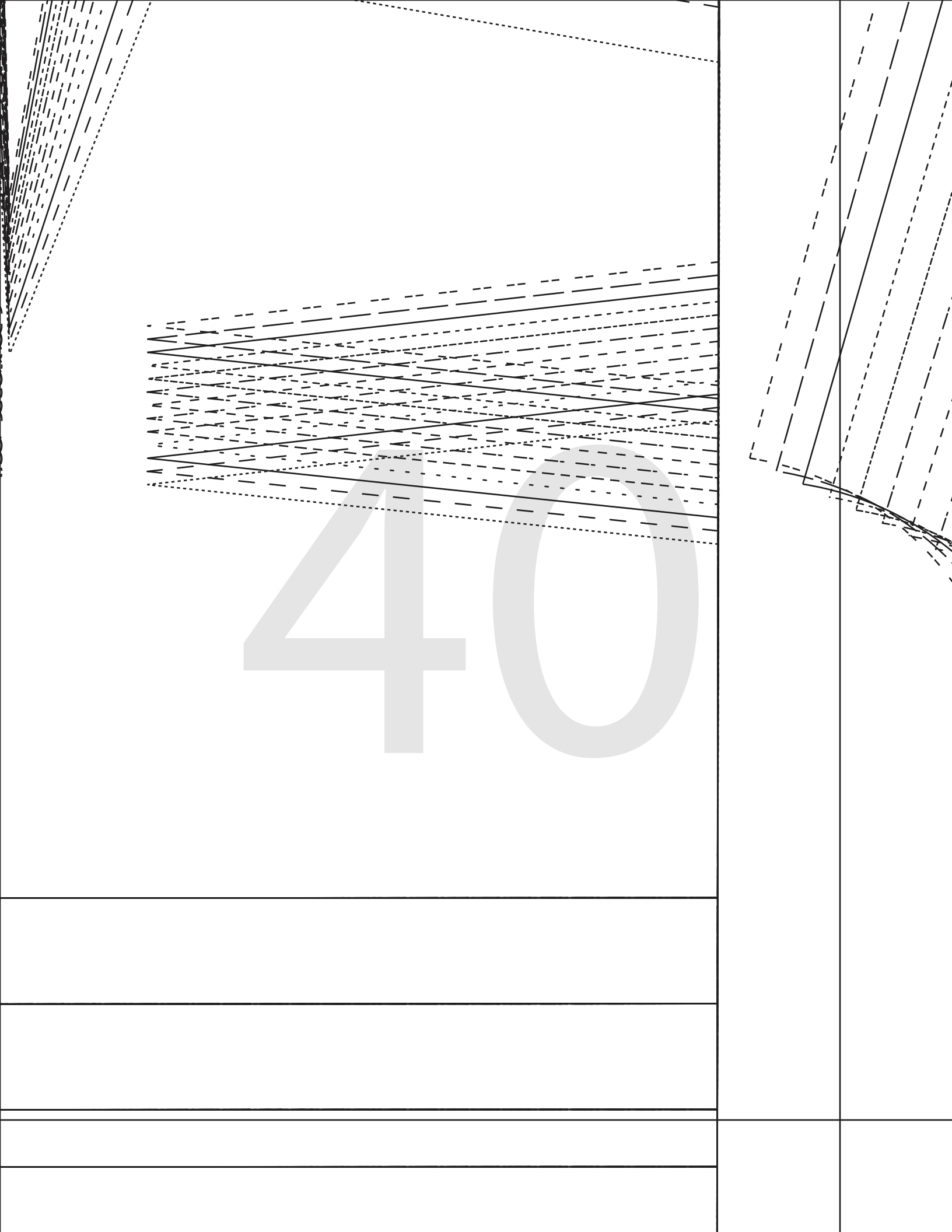
CENTRE FRONT

FOLDLINE

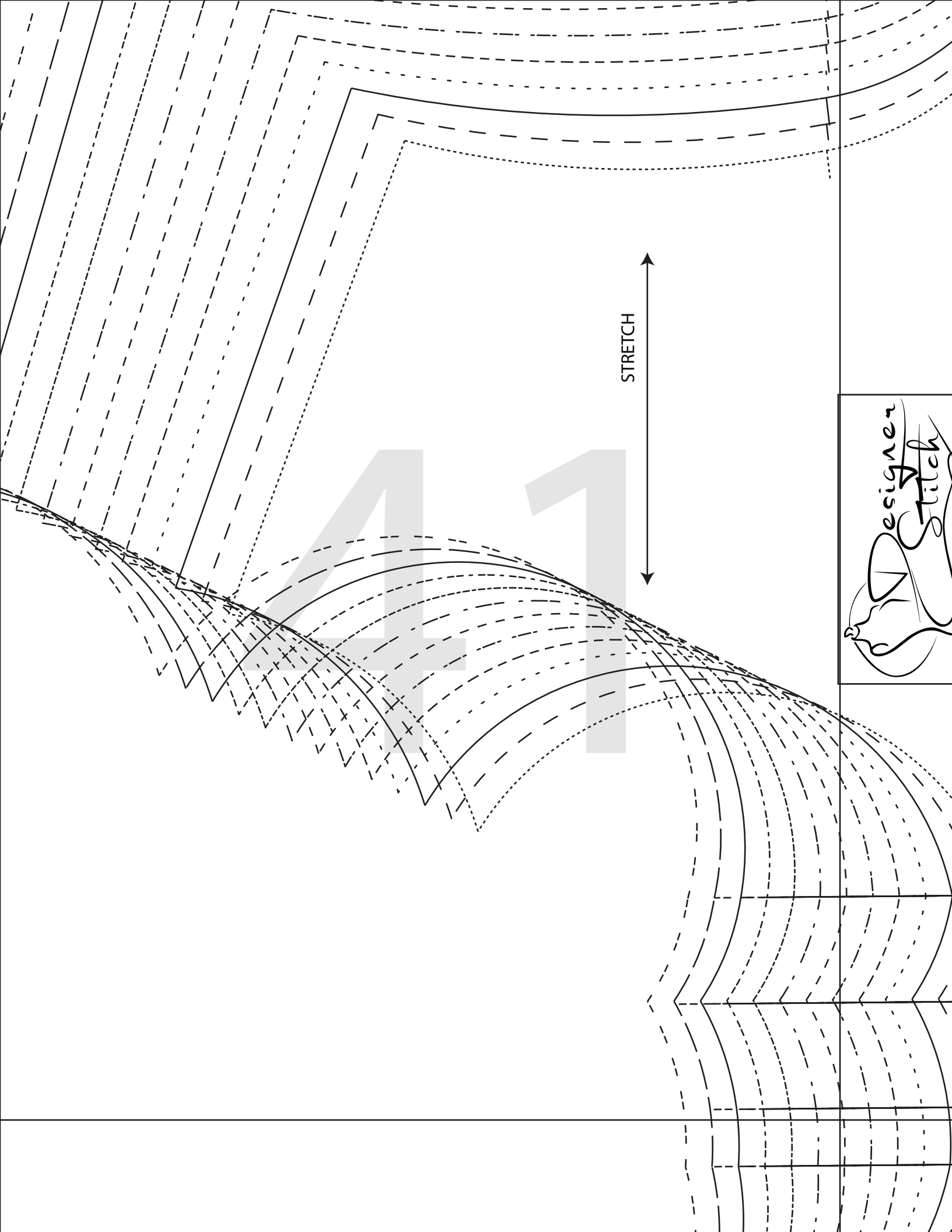
FOLDLINE

CENTRE FRONT





40



STRETCH





PHOEBE DRESS

#0722

2

FRONT - D CUP

CUT 1

(6mms (1/4") seam allowance unless otherwise stated)

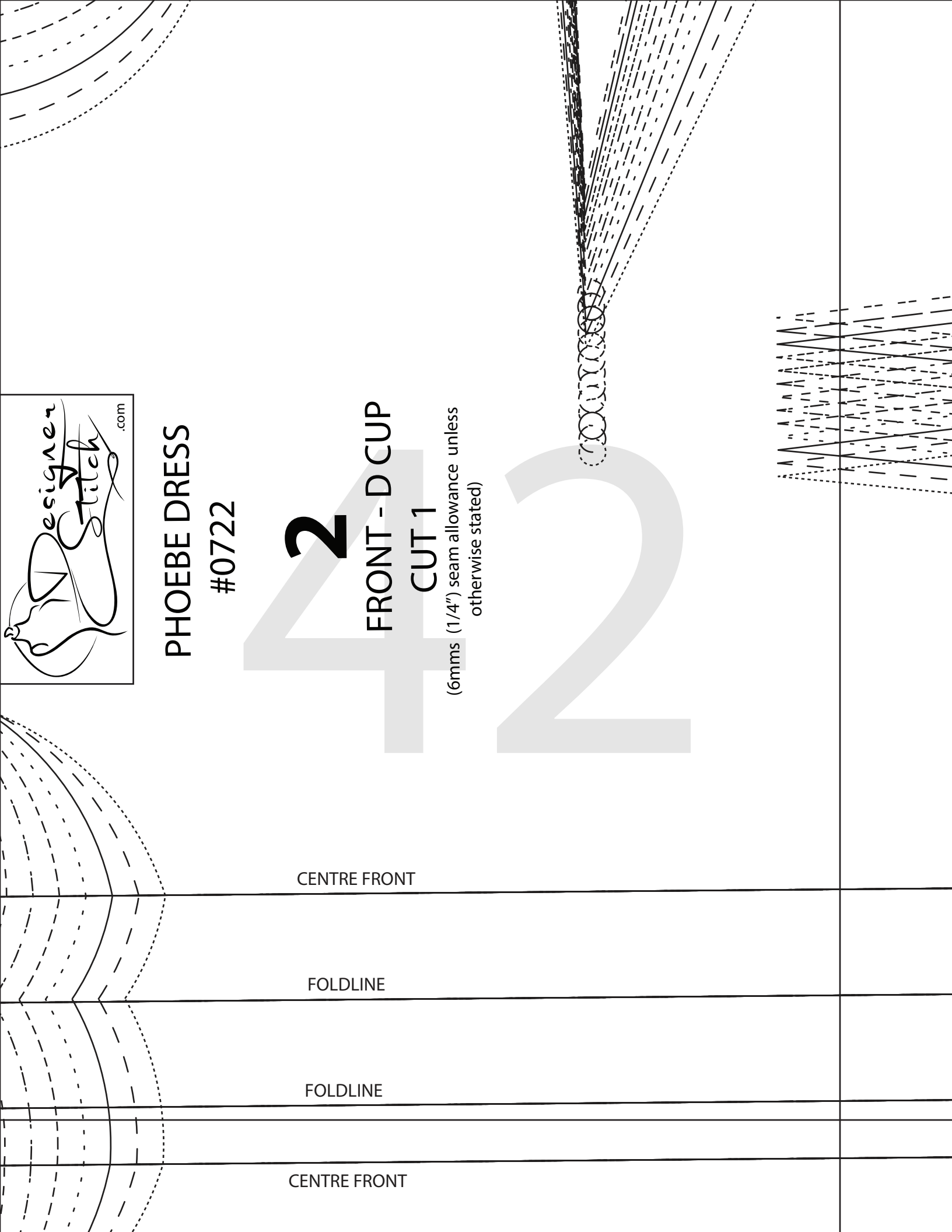


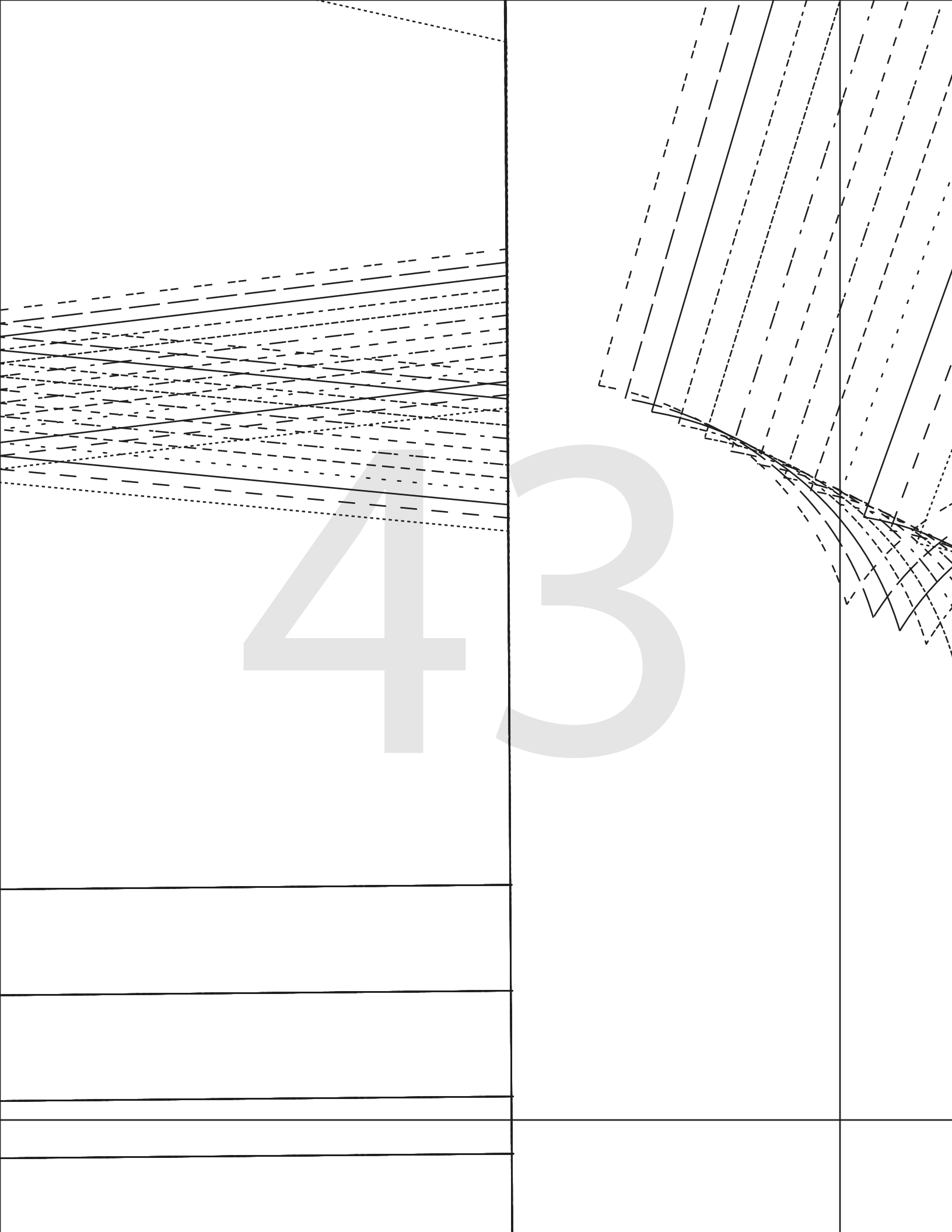
CENTRE FRONT

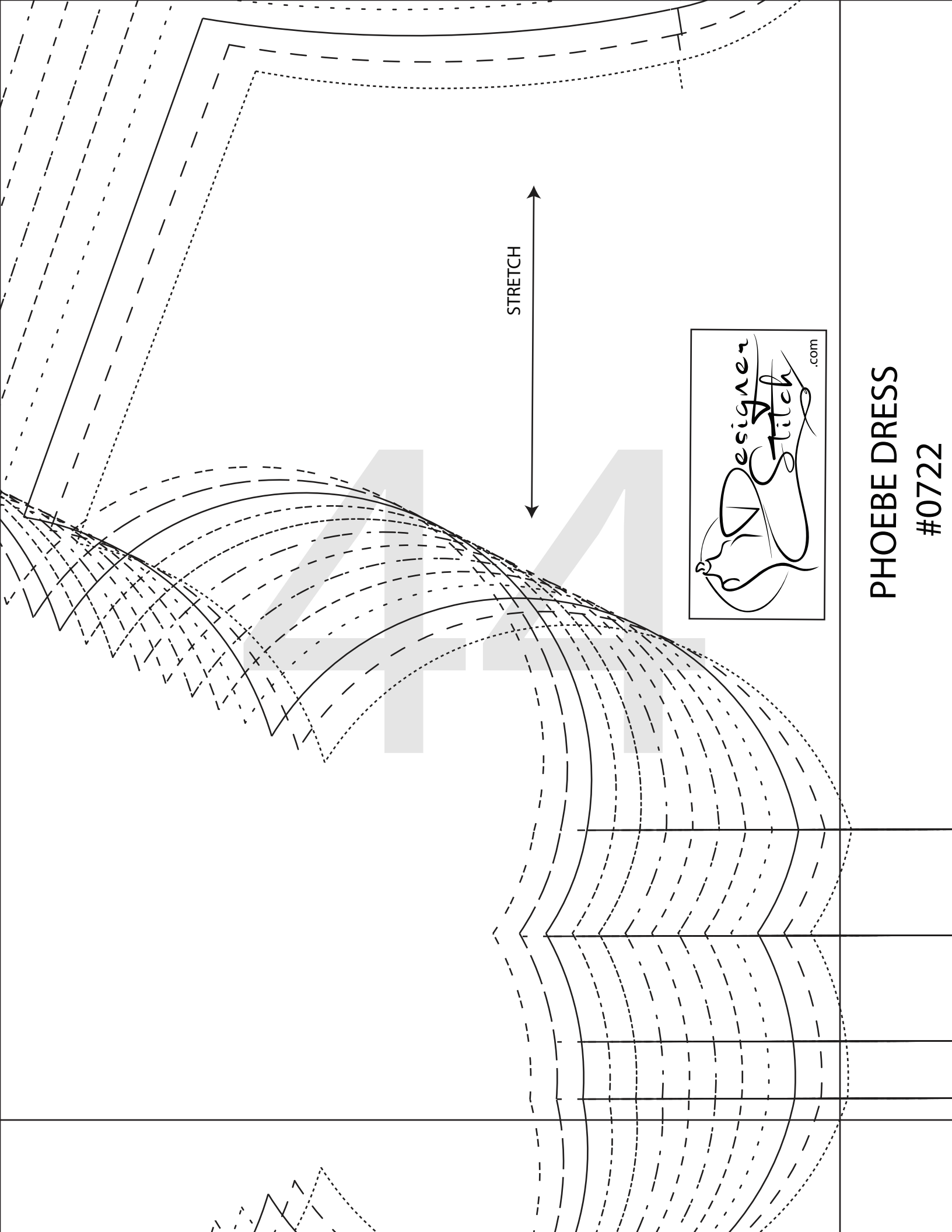
FOLDLINE

FOLDLINE

CENTRE FRONT







PHOEBE DRESS

#0722

PHOEBE DRESS

#0722

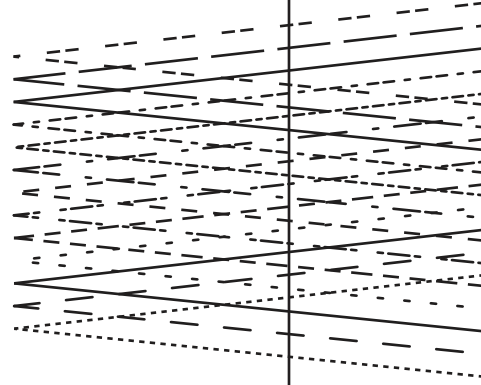
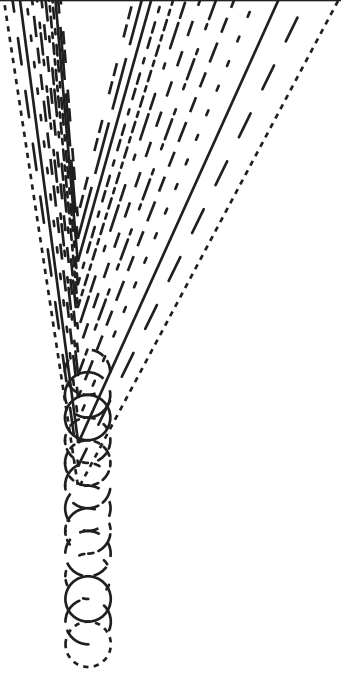
2

FRONT - DD CUP

CUT 1

(6mm (1/4") seam allowance unless otherwise stated)

45

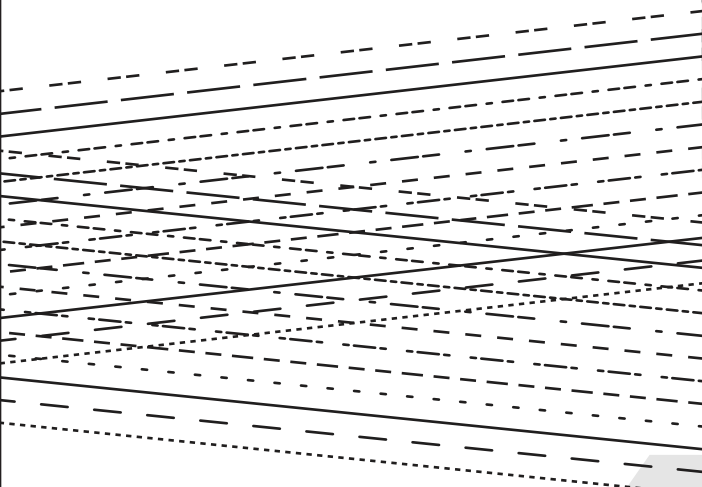


CENTRE FRONT

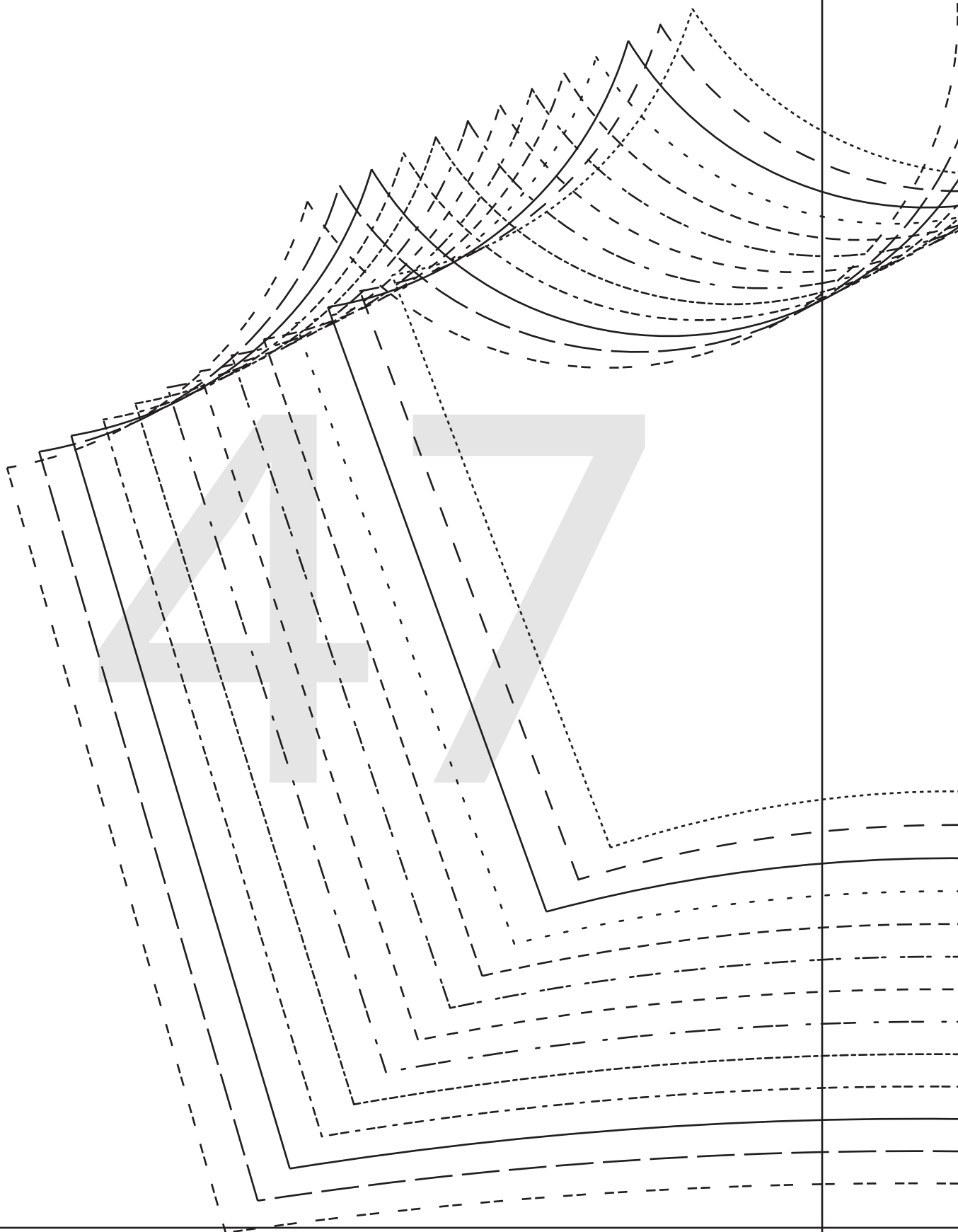
FOLDLINE

FOLDLINE

CENTRE FRONT



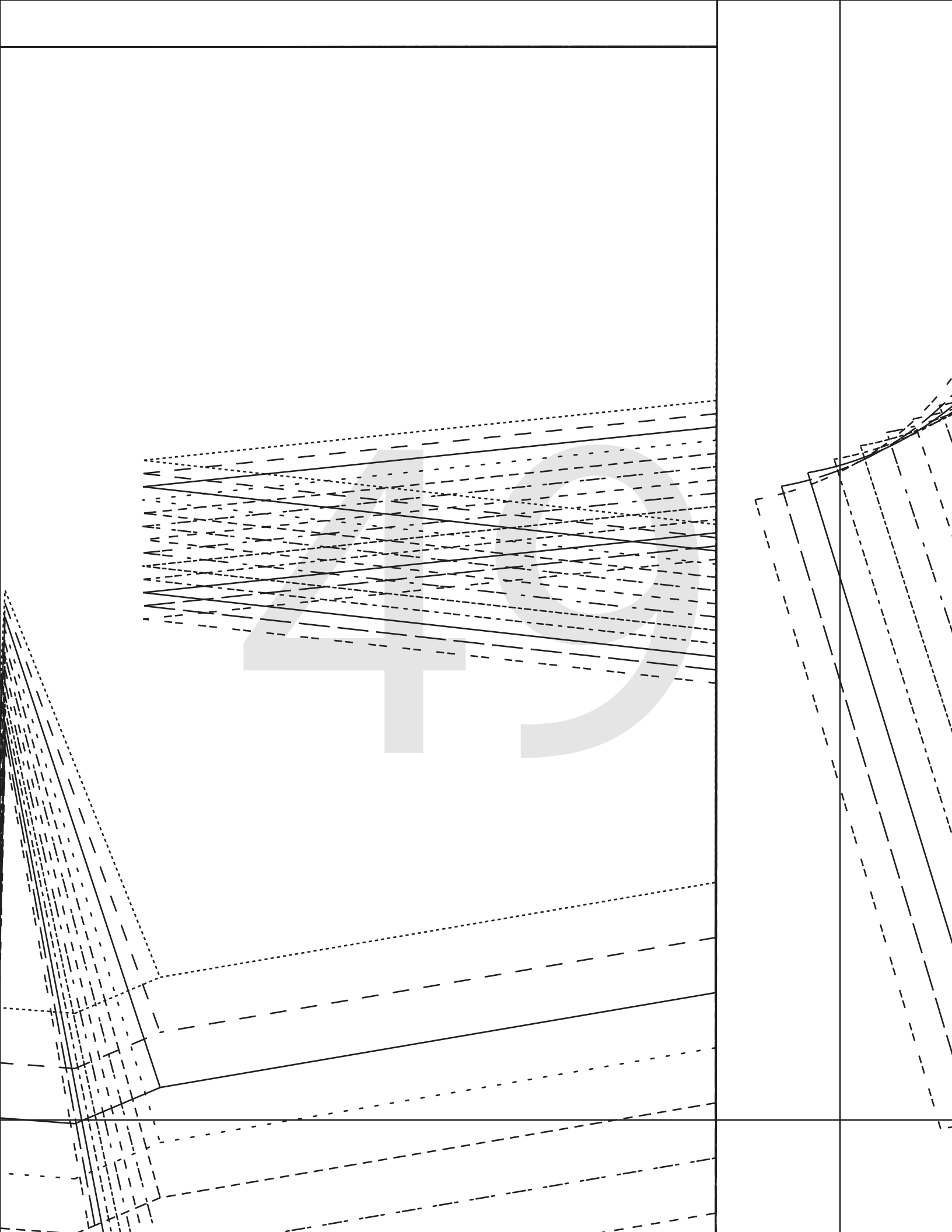
4.6

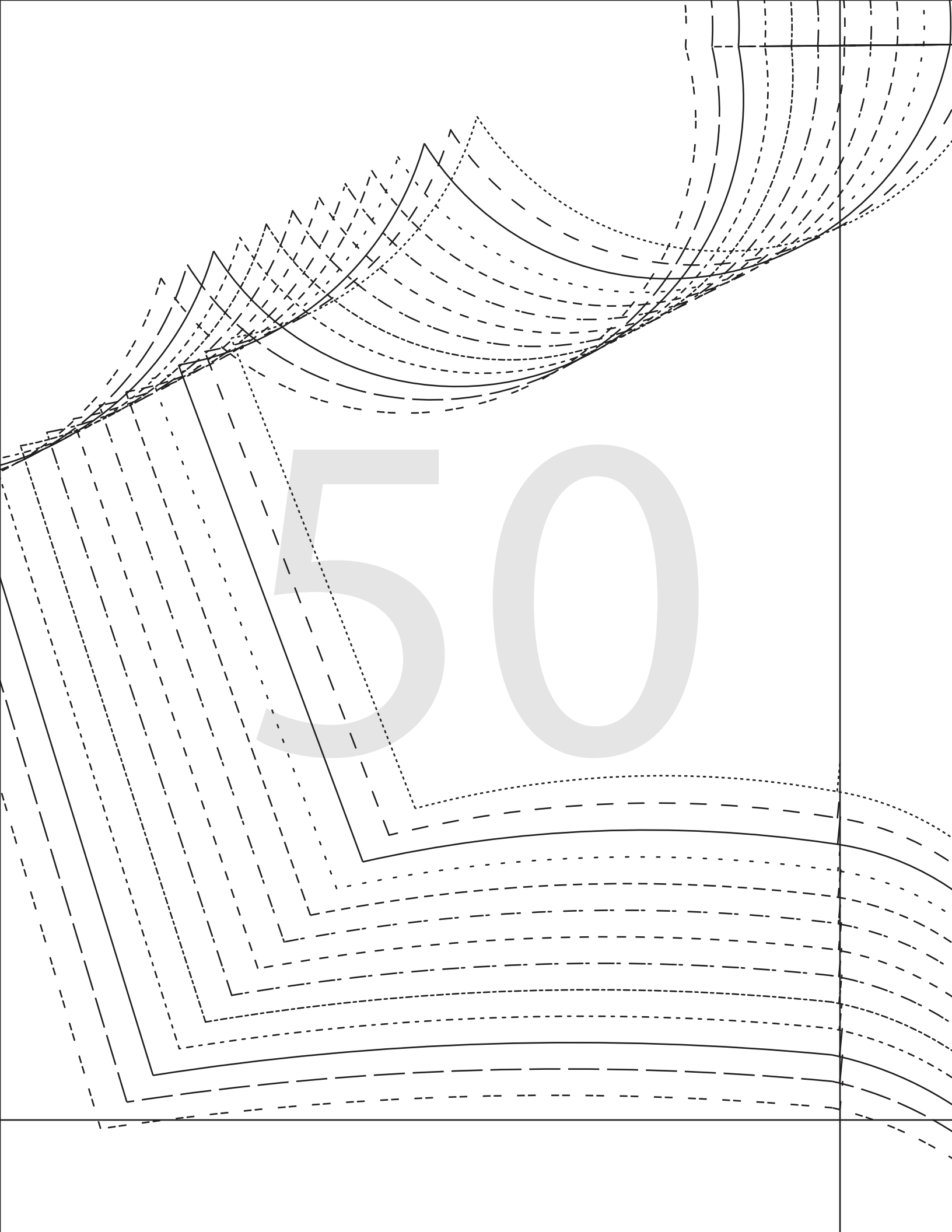


CENTRE FRONT

48



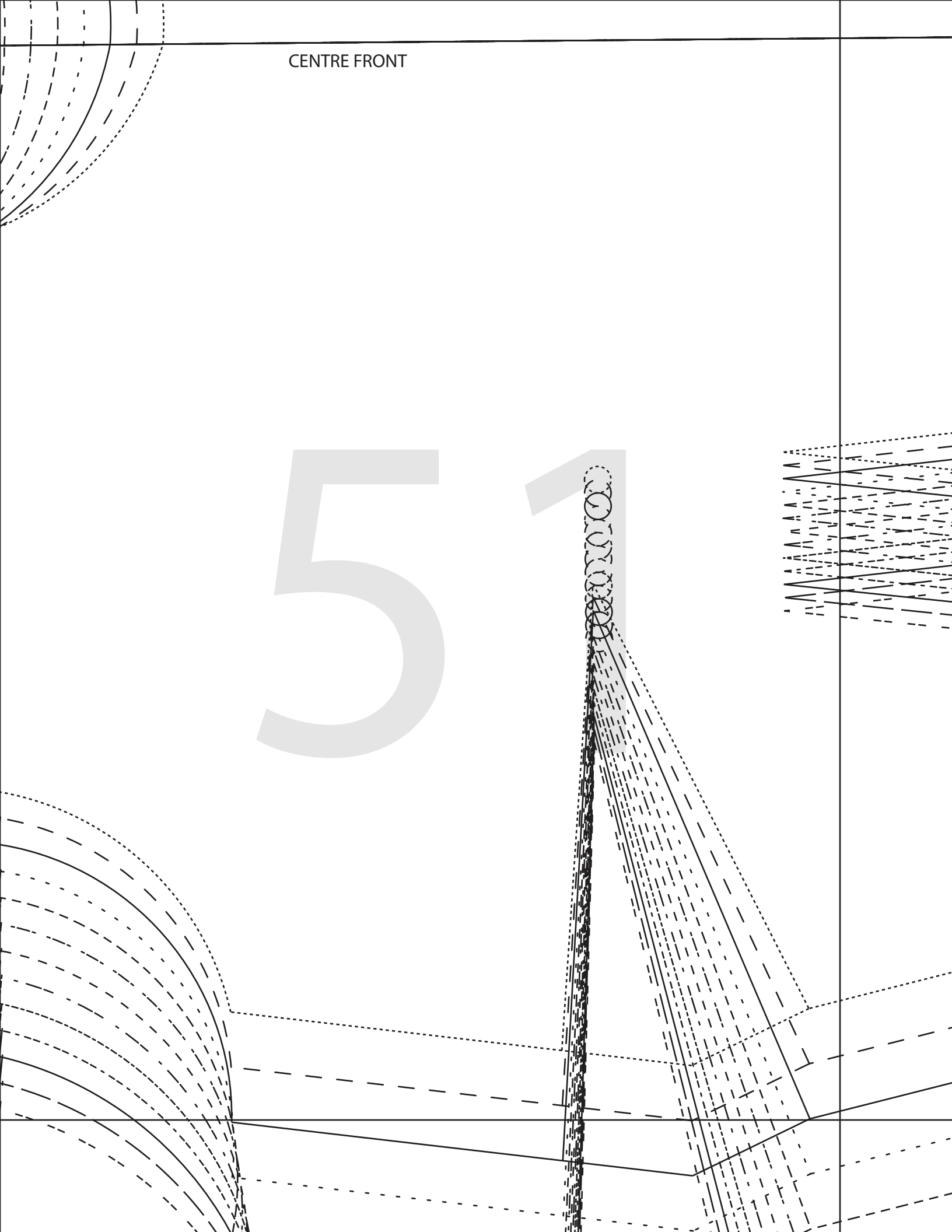


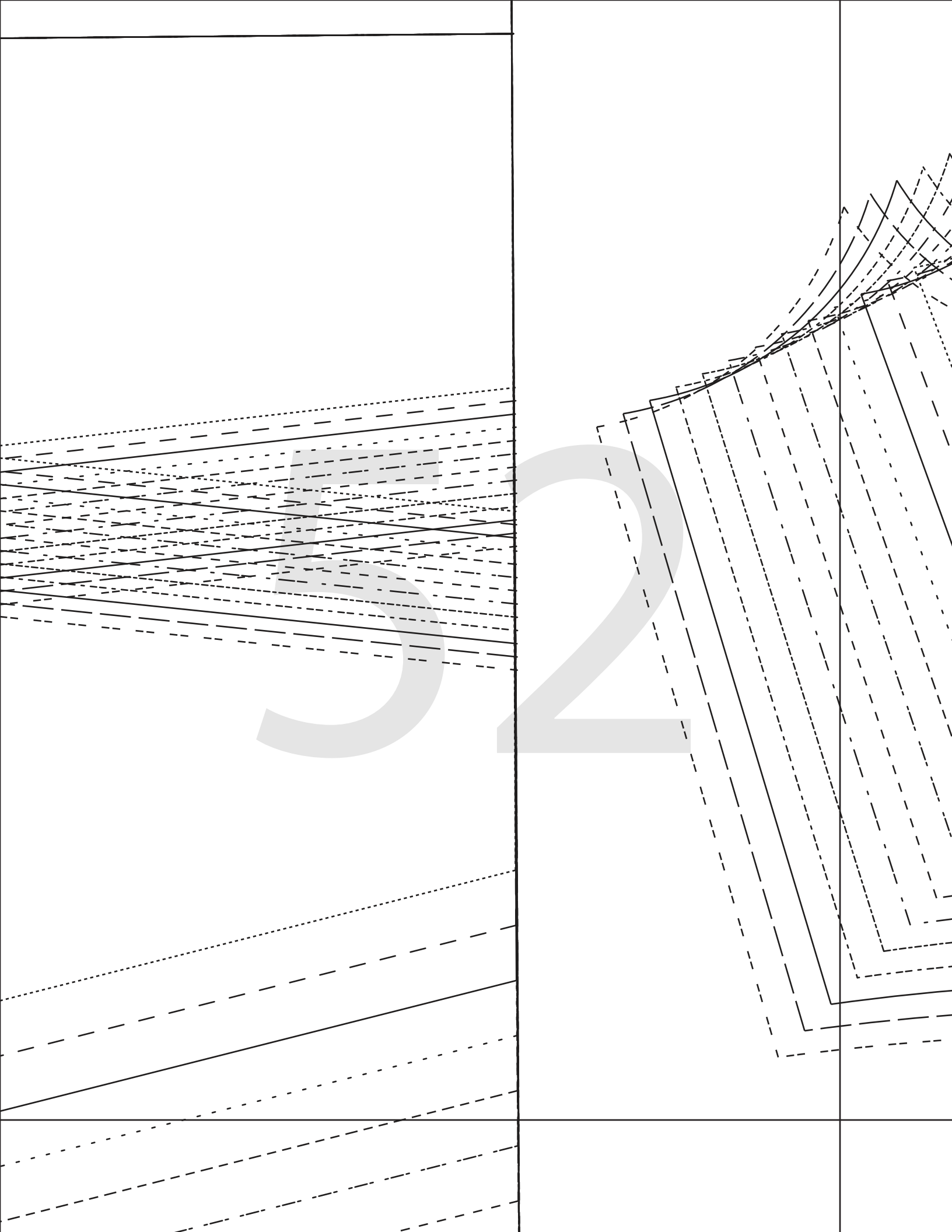


50

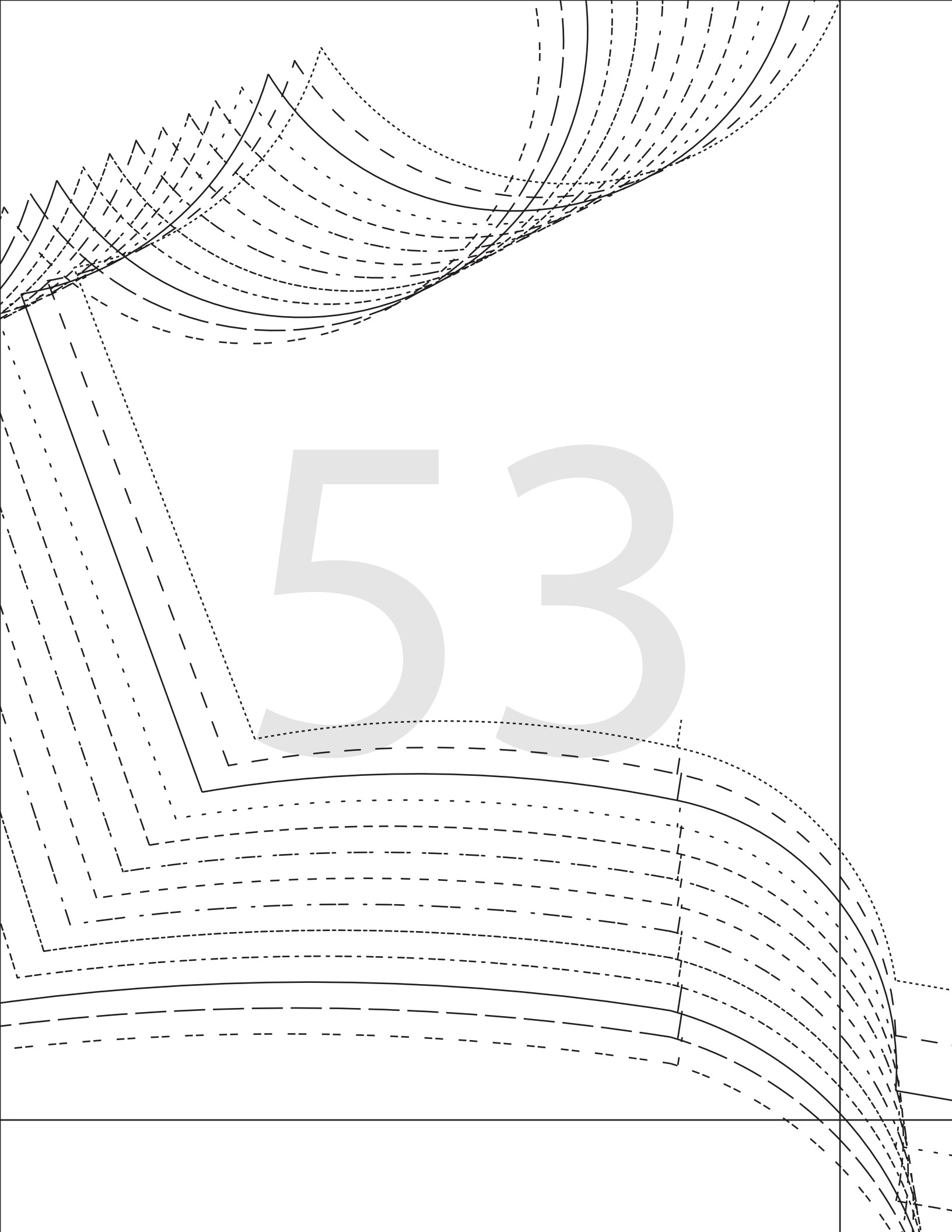
CENTRE FRONT

51

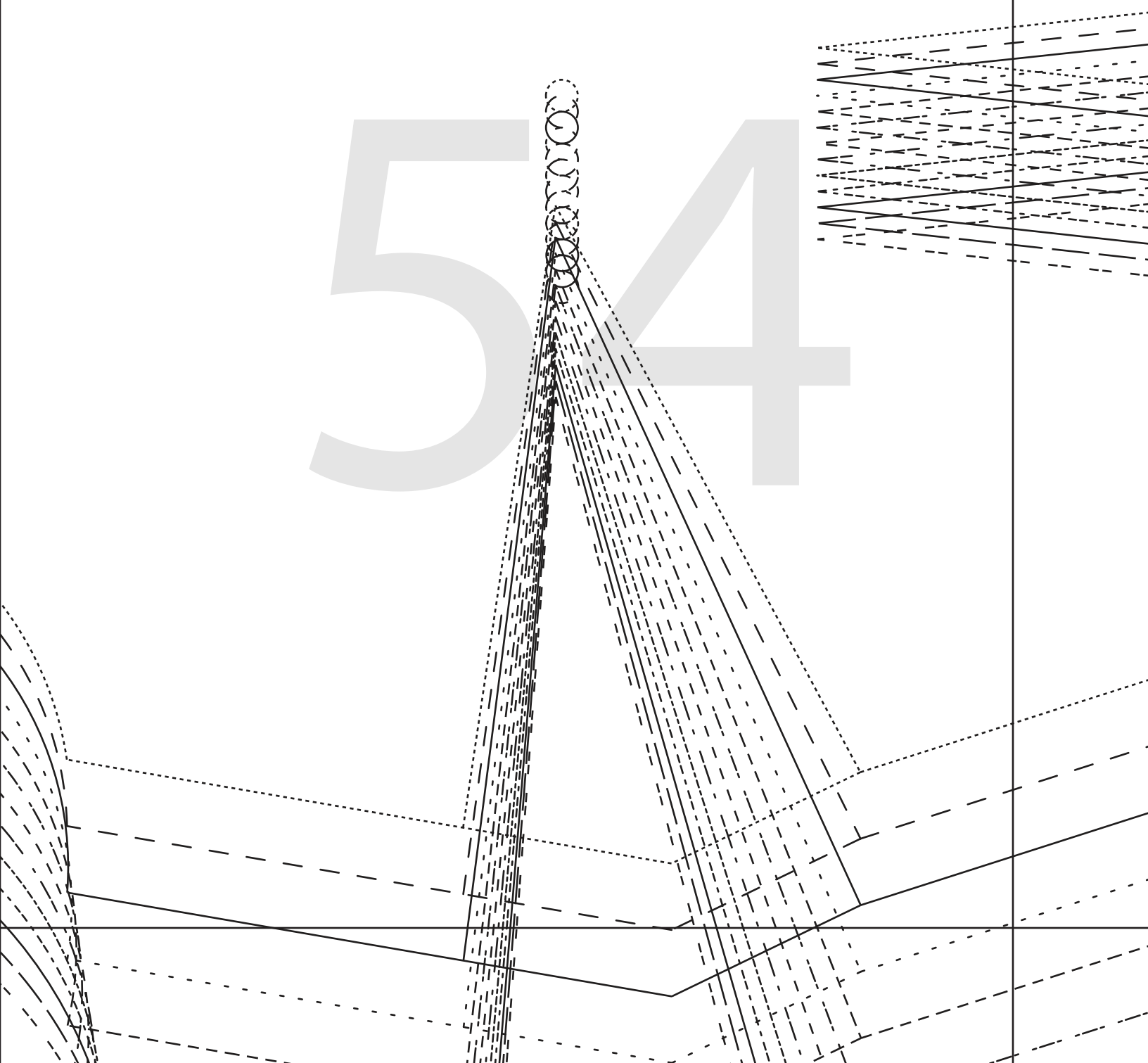


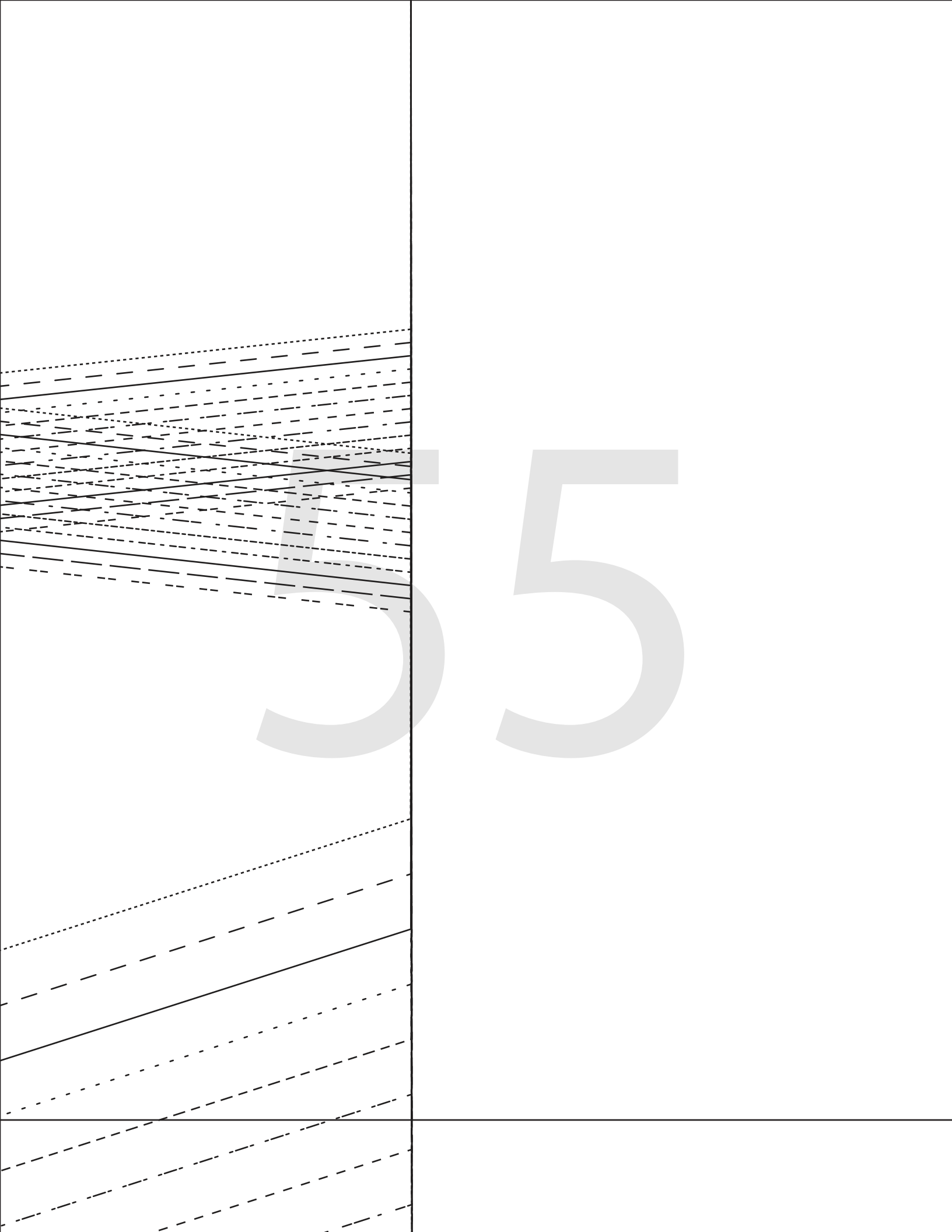


53

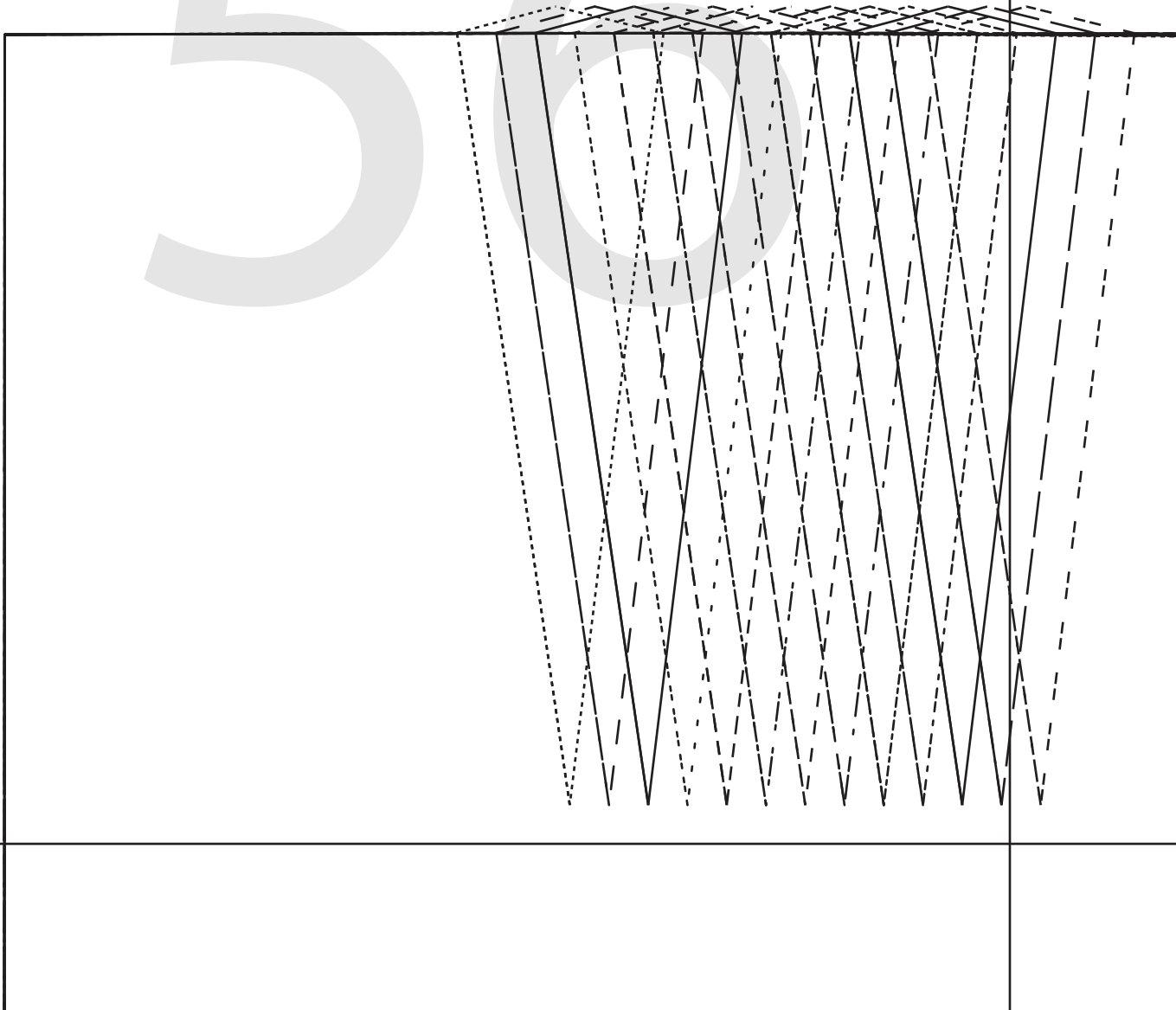


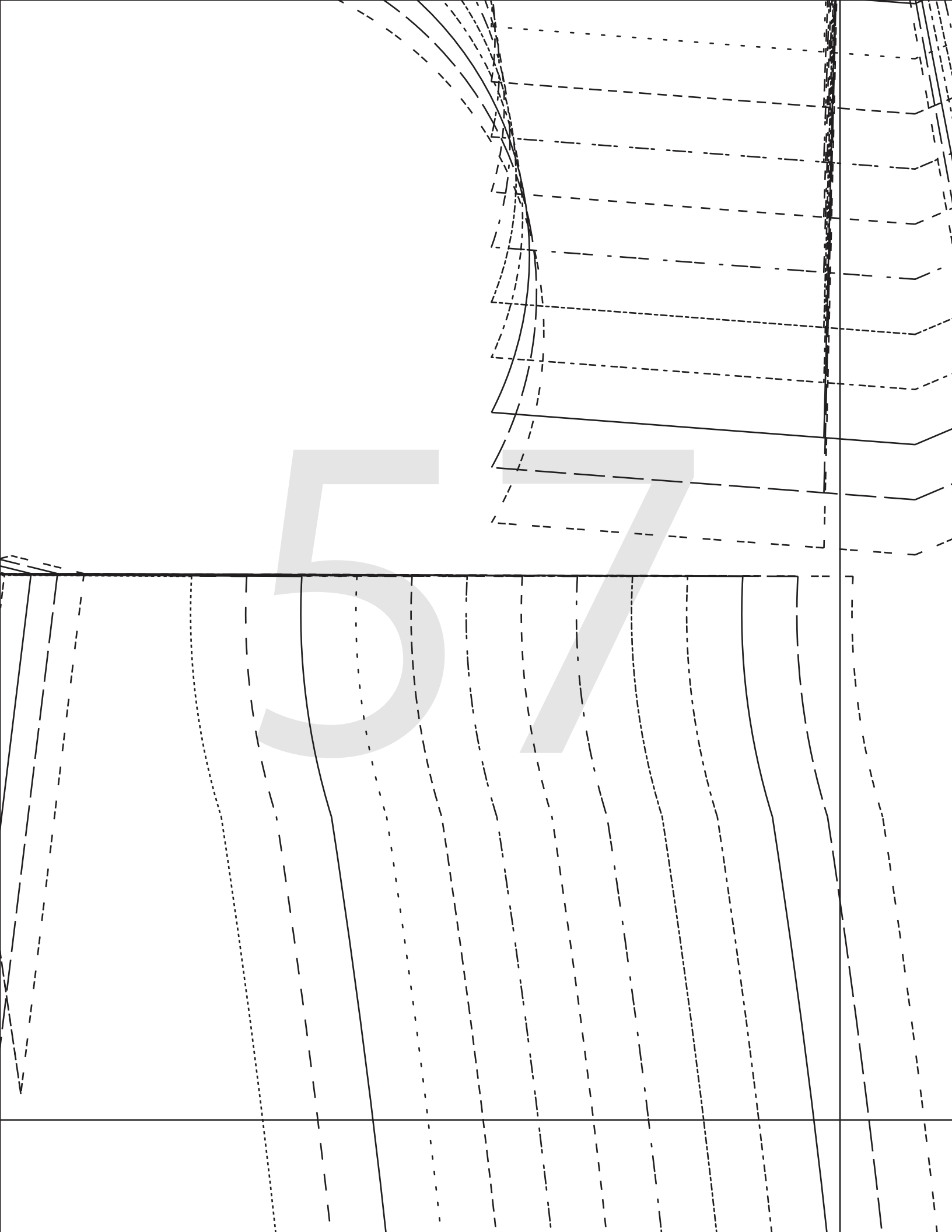
54

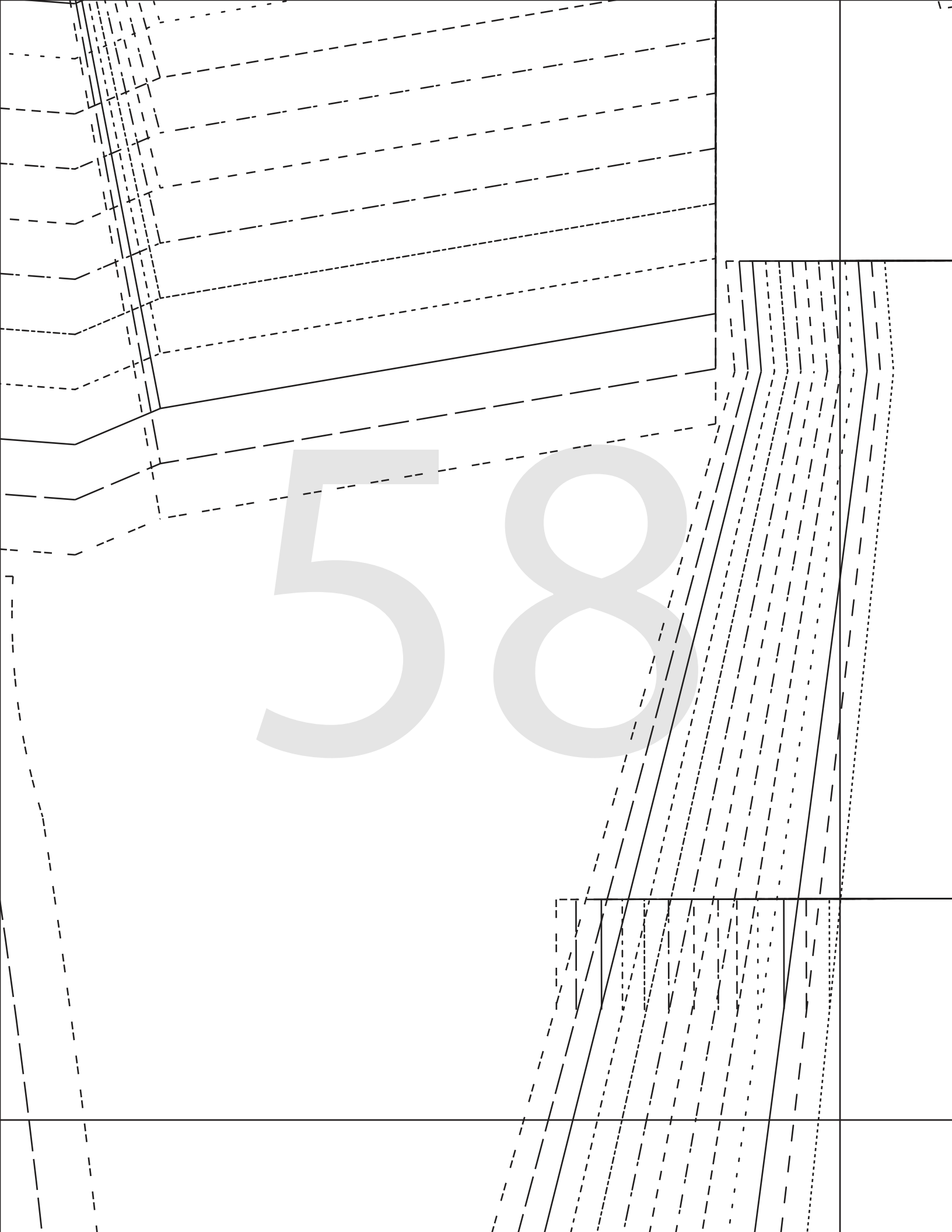




56





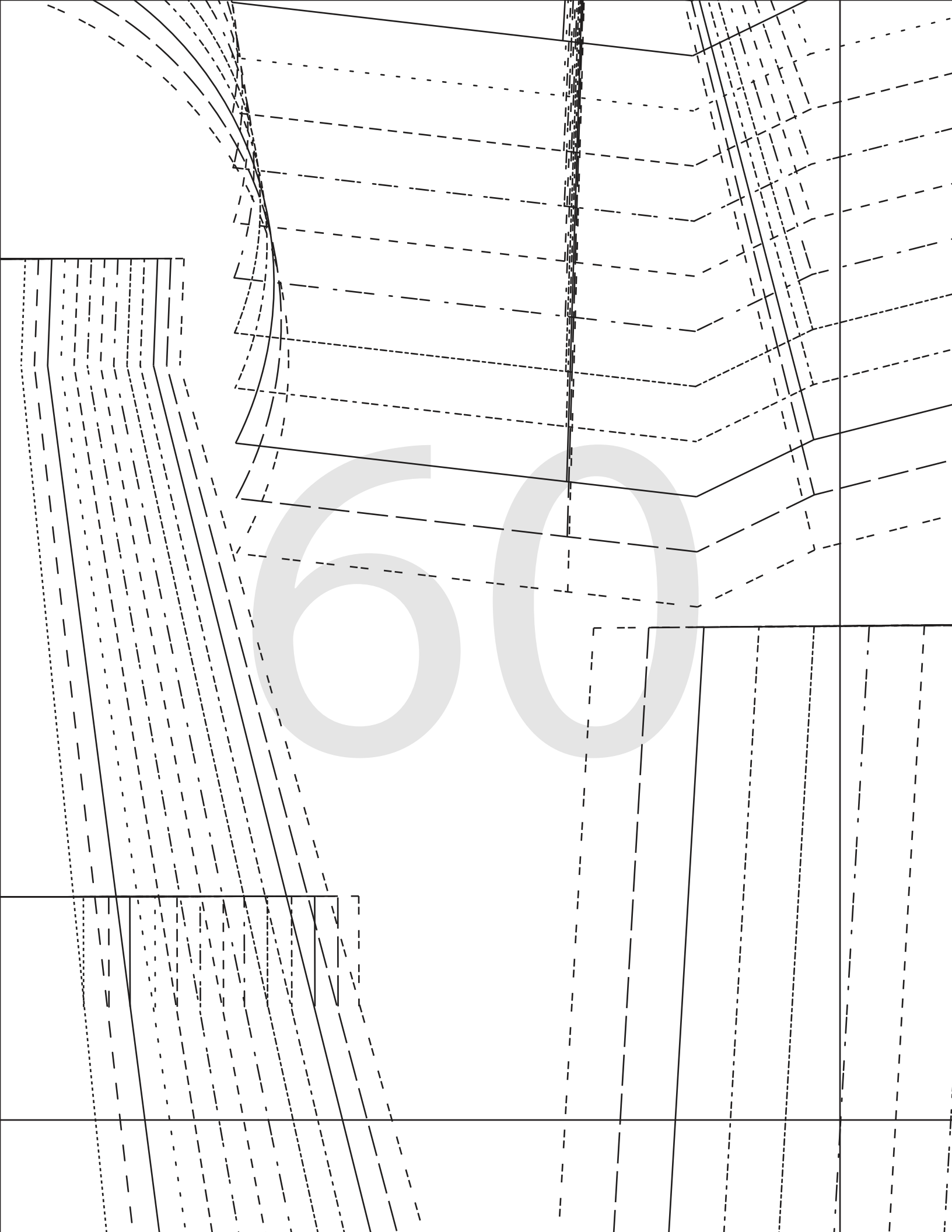
The image shows a technical drawing of a mechanical part, possibly a bracket or a support, rendered in a perspective view. The drawing uses solid lines for visible edges and dashed lines for hidden edges. A grid of solid lines is overlaid on the drawing, with a horizontal line at the bottom and a vertical line on the right. The number '58' is printed in a large, light gray font in the center of the drawing. The part has a complex shape with several holes and a curved surface. The drawing is oriented vertically on the page.

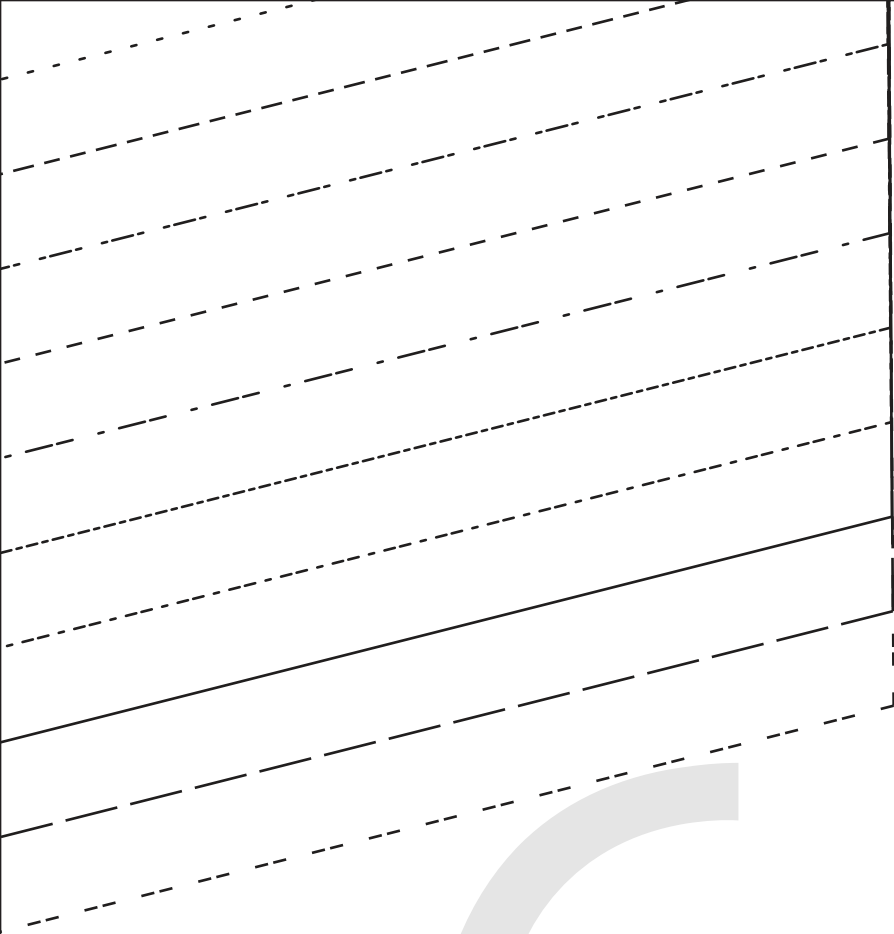
58

59

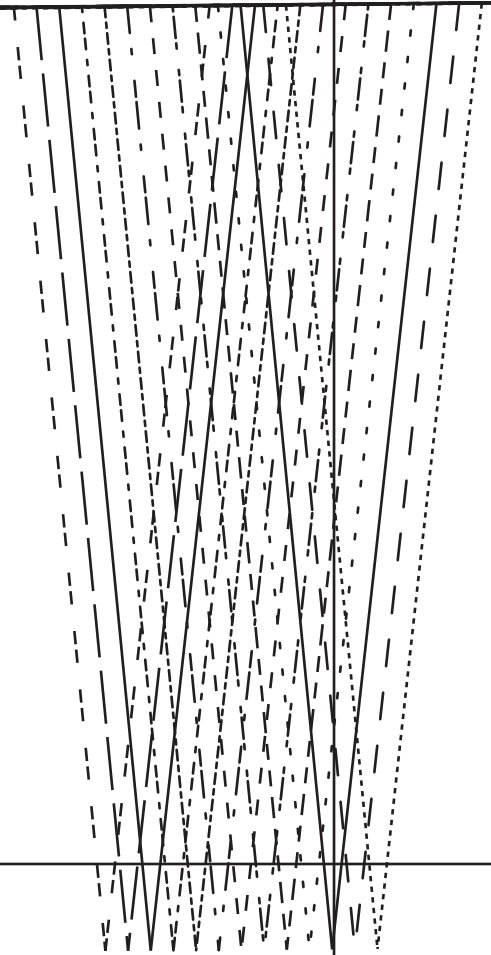
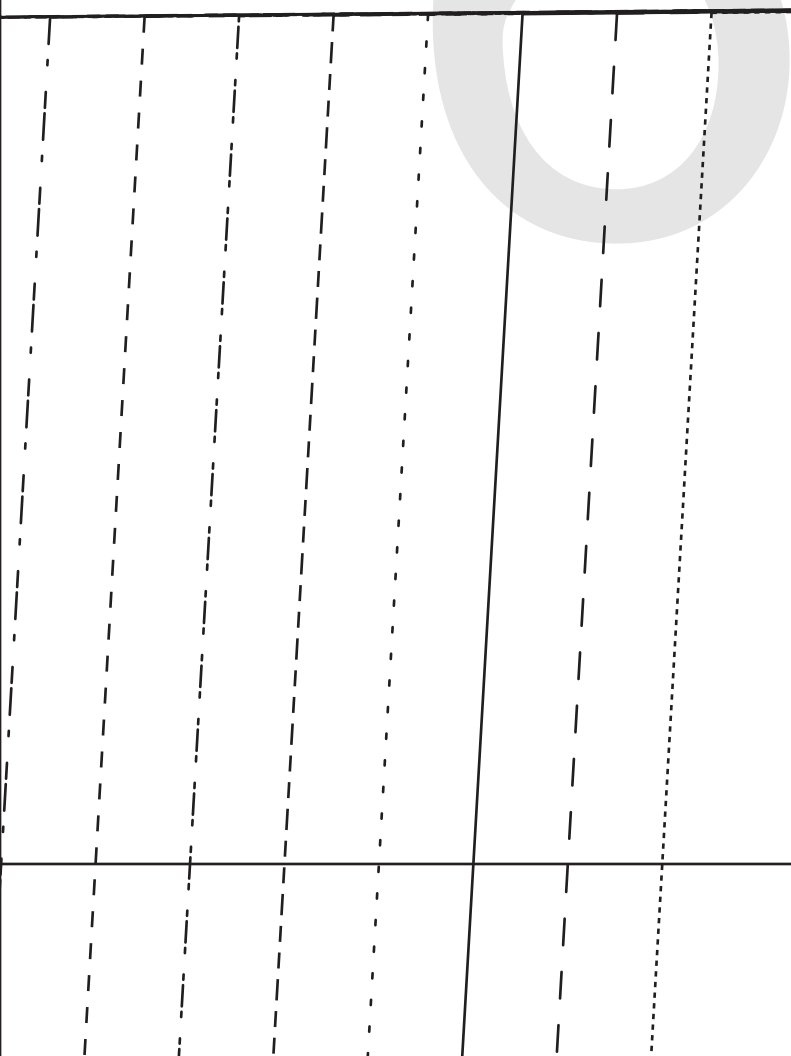
CUT HERE FULL LENGTH
HEM ALLOWANCE = 2.5 cms (1")

CUT HERE 3/4'S LENGTH
HEM ALLOWANCE = 2.5 cms (1")

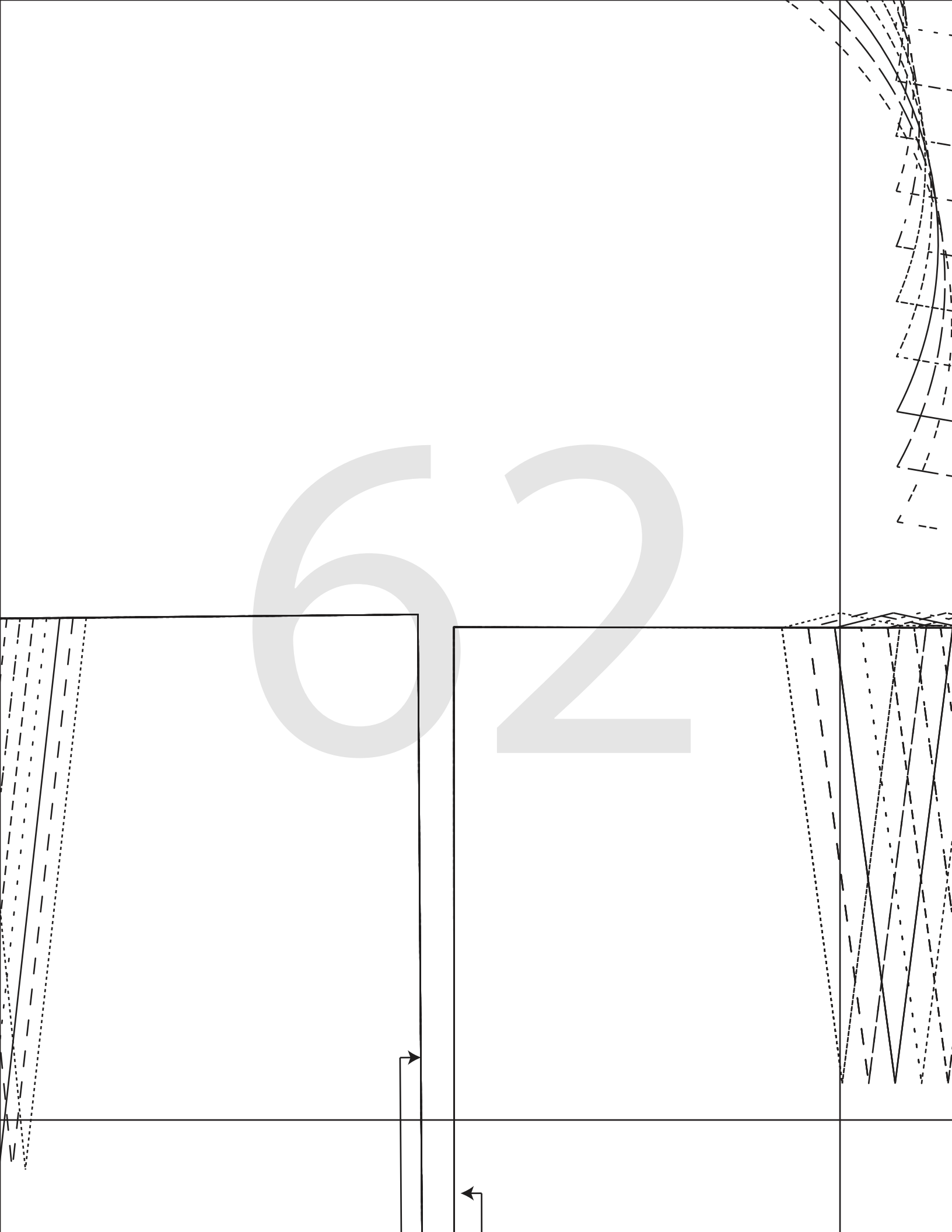


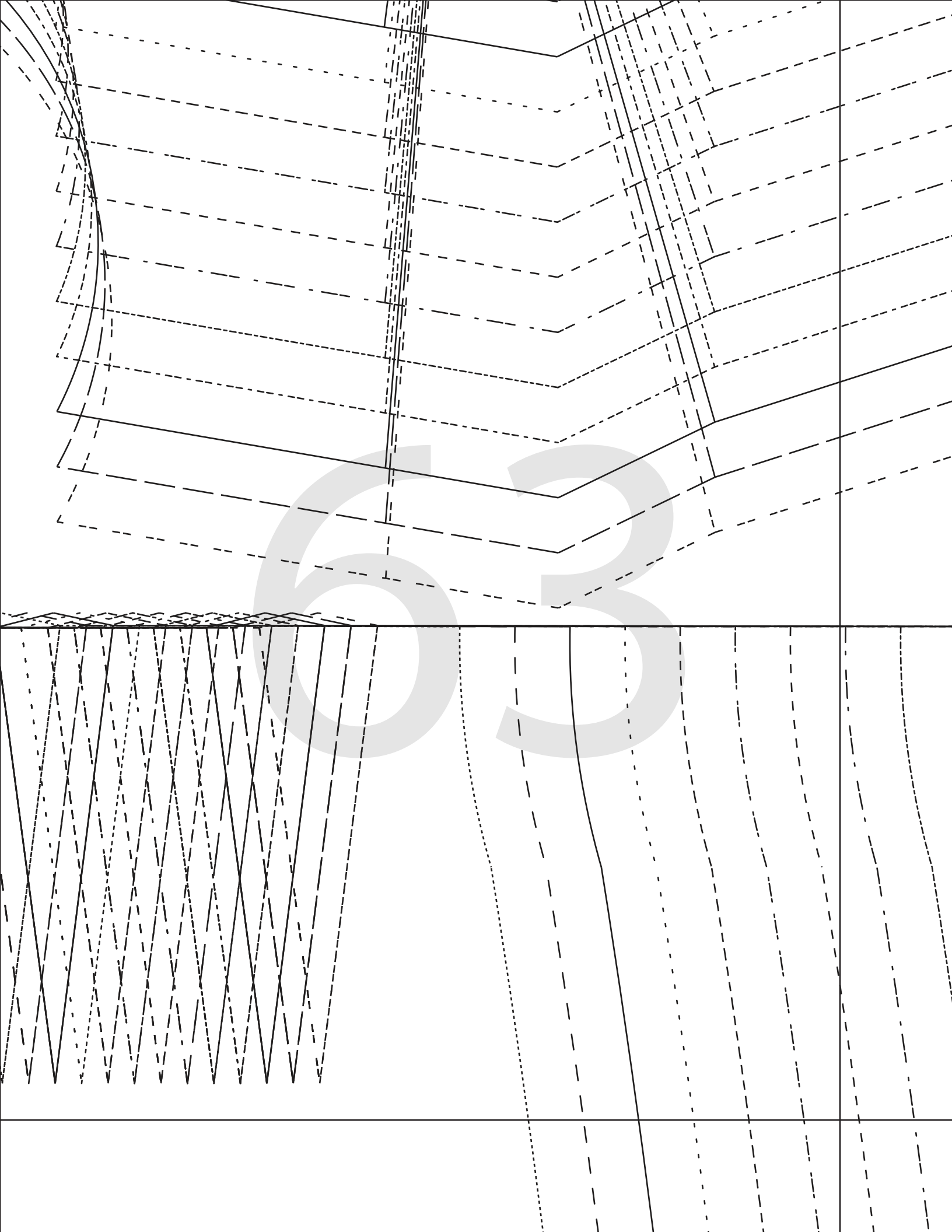


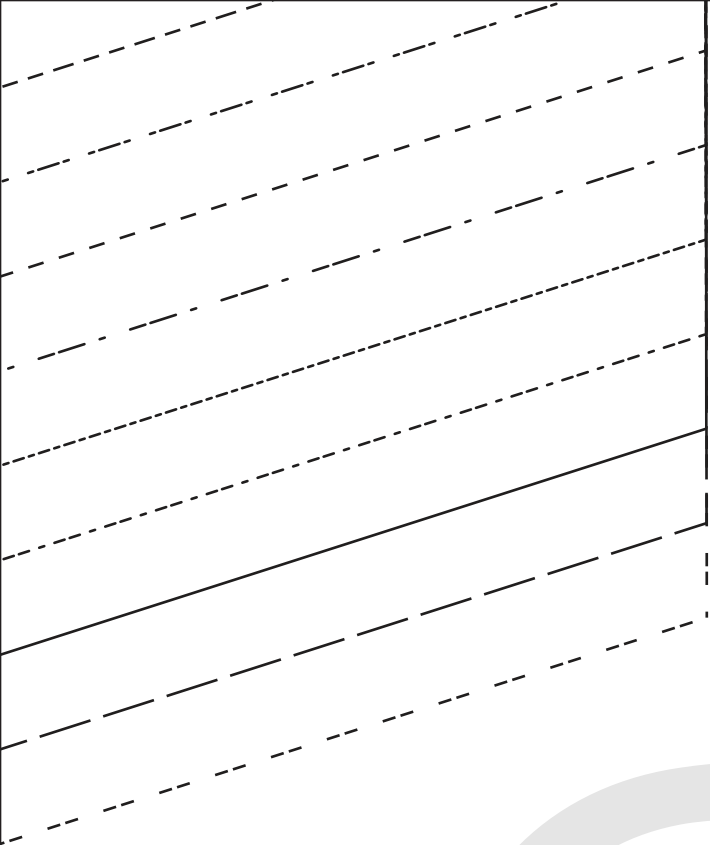
61



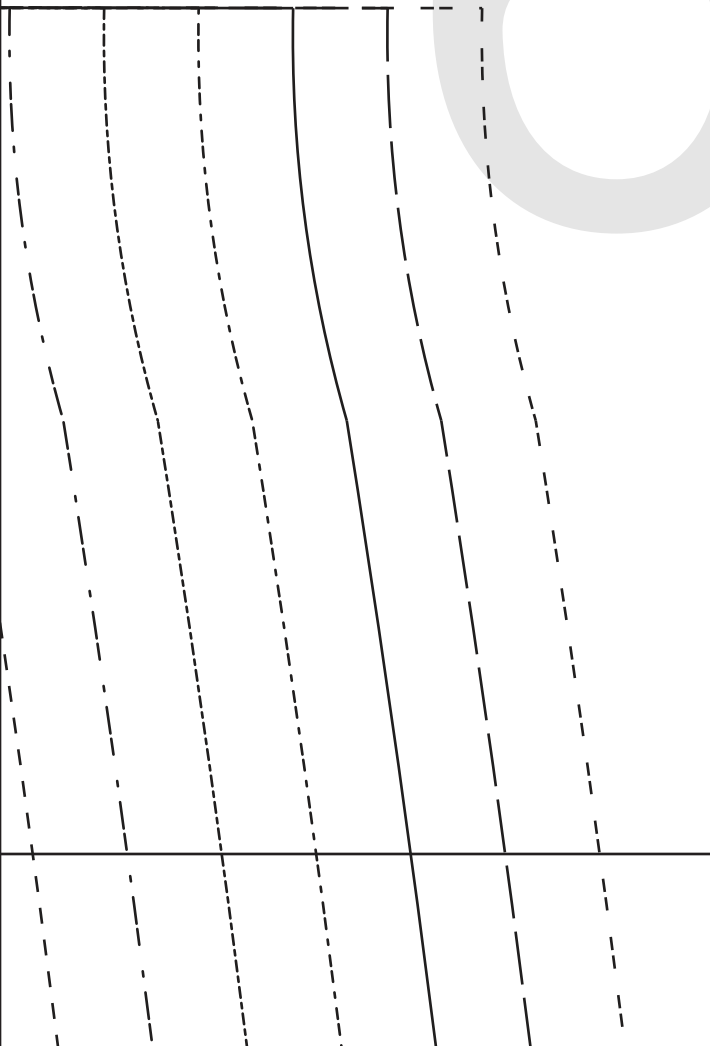
62







6



SIZE KEY

1
.....

2 - - - - -
- - - - -

3 _____

4
.....

5 - - - - -
- - - - -

6
.....

7 - - - - -
- - - - -

8 - - - - -
- - - - -

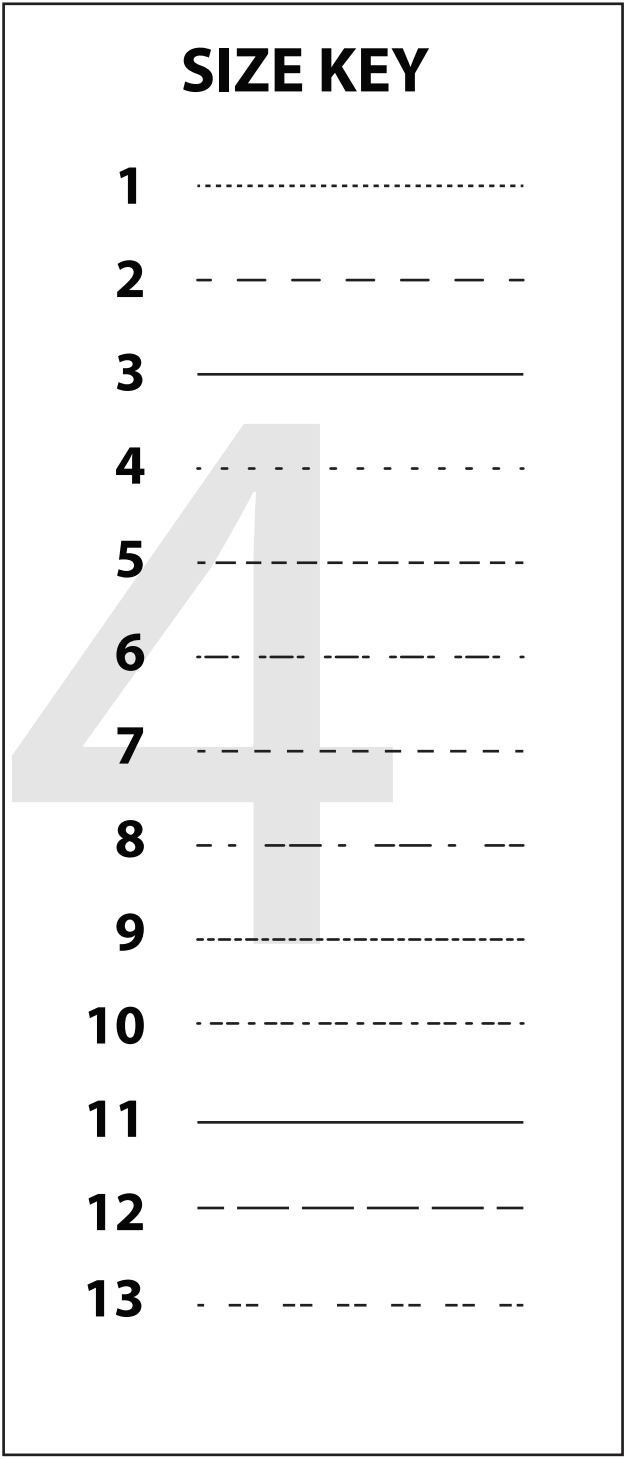
9
.....

10
.....

11 _____

12 - - - - -
- - - - -

13
.....





PHOEBE DRESS

#0722

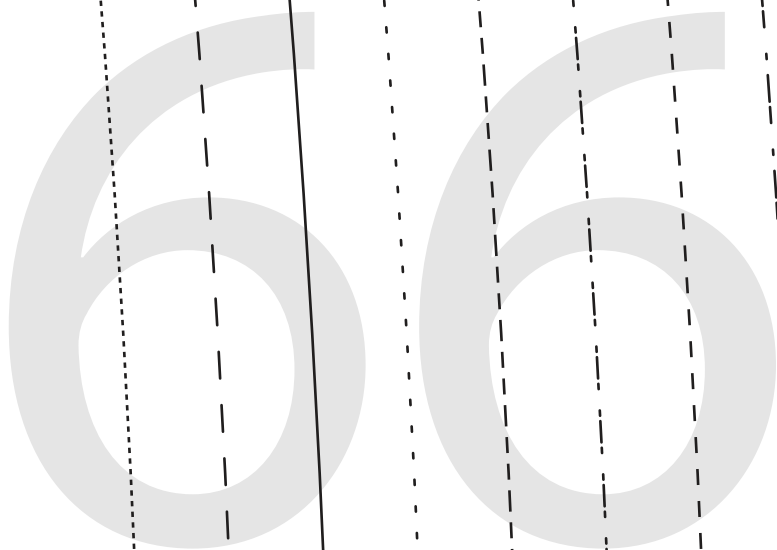
9

PENCIL SKIRT

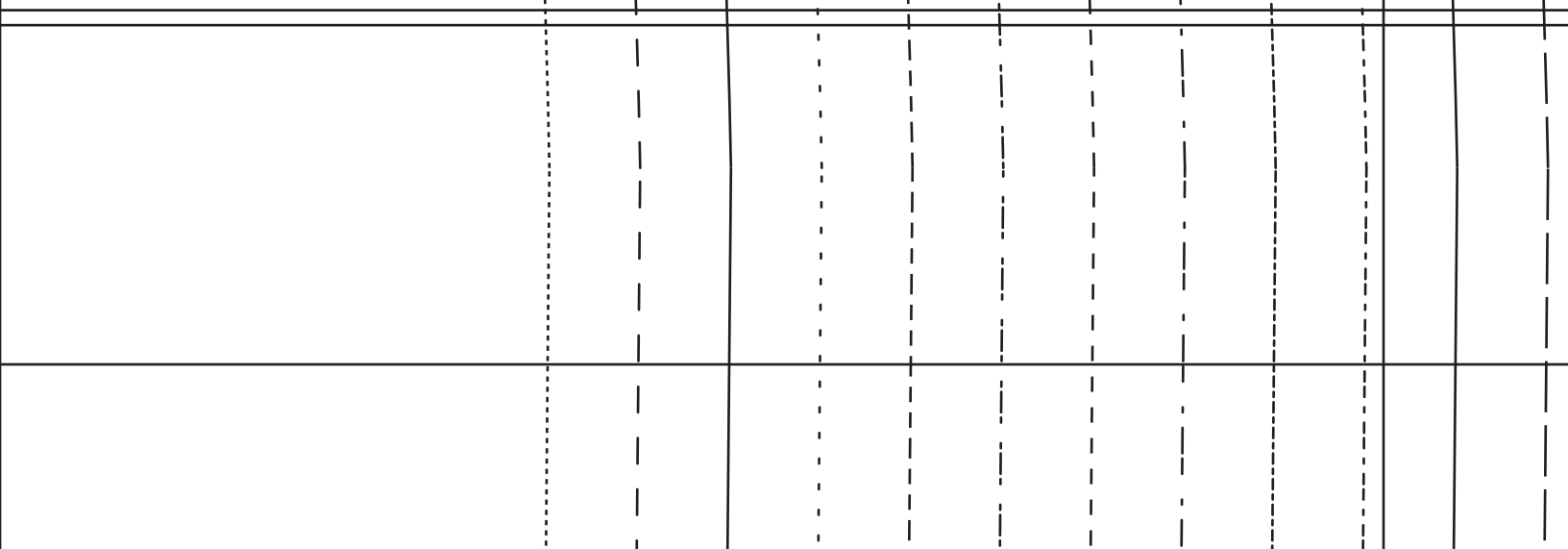
BACK

CUT 1 FOLD

(6mms (1/4") seam allowance unless
otherwise stated)



SHORTEN/LENGTHEN HERE



67

PHOEBE DRESS

#0722

3

SLEEVE

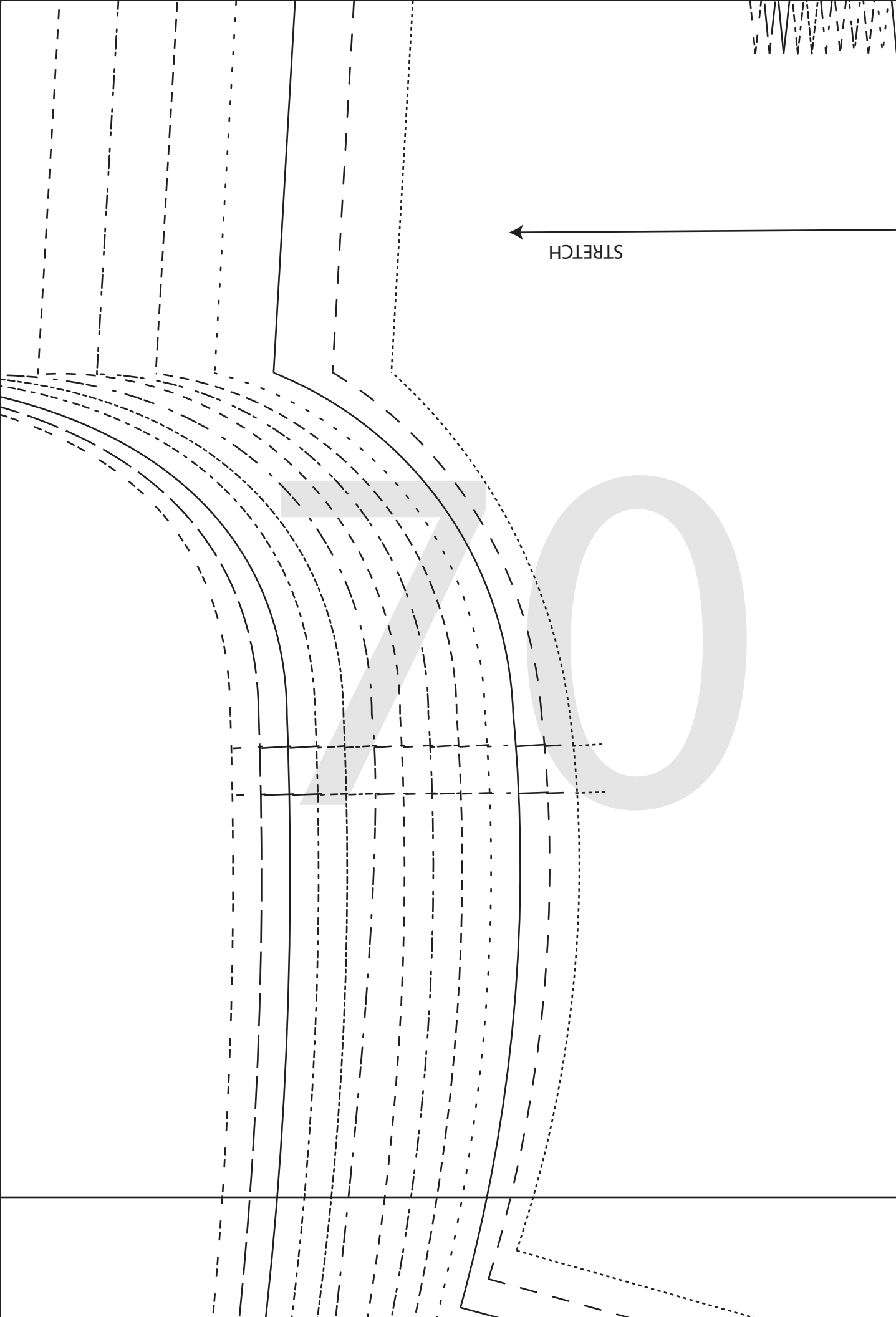
CUT 2

(6mm (1/4") seam allowance unless otherwise stated)

68

CUT HERE ELBOW LENGTH
HEM ALLOWANCE = 2.5 cms (1")

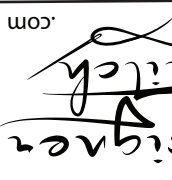
69



(ed)
ance unless

OLD

RESS



.com



PHOEBE DRESS

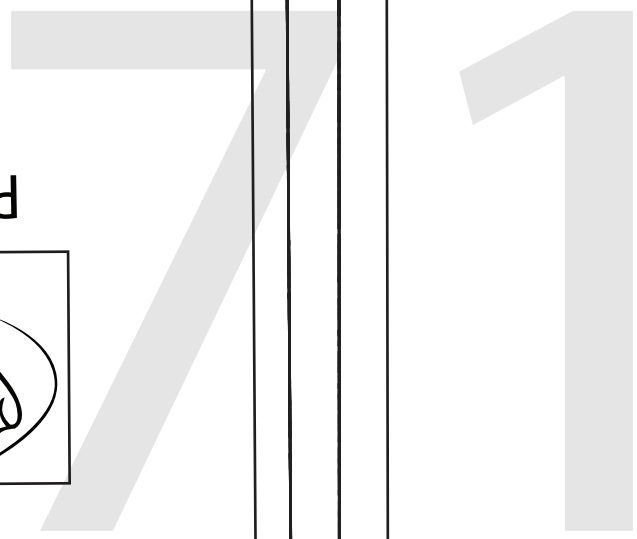
#0722

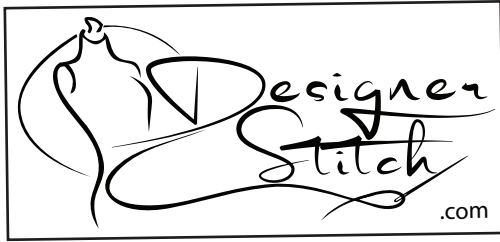


BACK

CUT 1 FOLD

(6mm (1/4") seam allowance unless otherwise stated)





PHOEBE DRESS
#0722

10

PENCIL SKIRT
FRONT

CUT 1 FOLD

(6mms (1/4") seam allowance unless
otherwise stated)

SHORTEN/LENGTHEN HERE

73



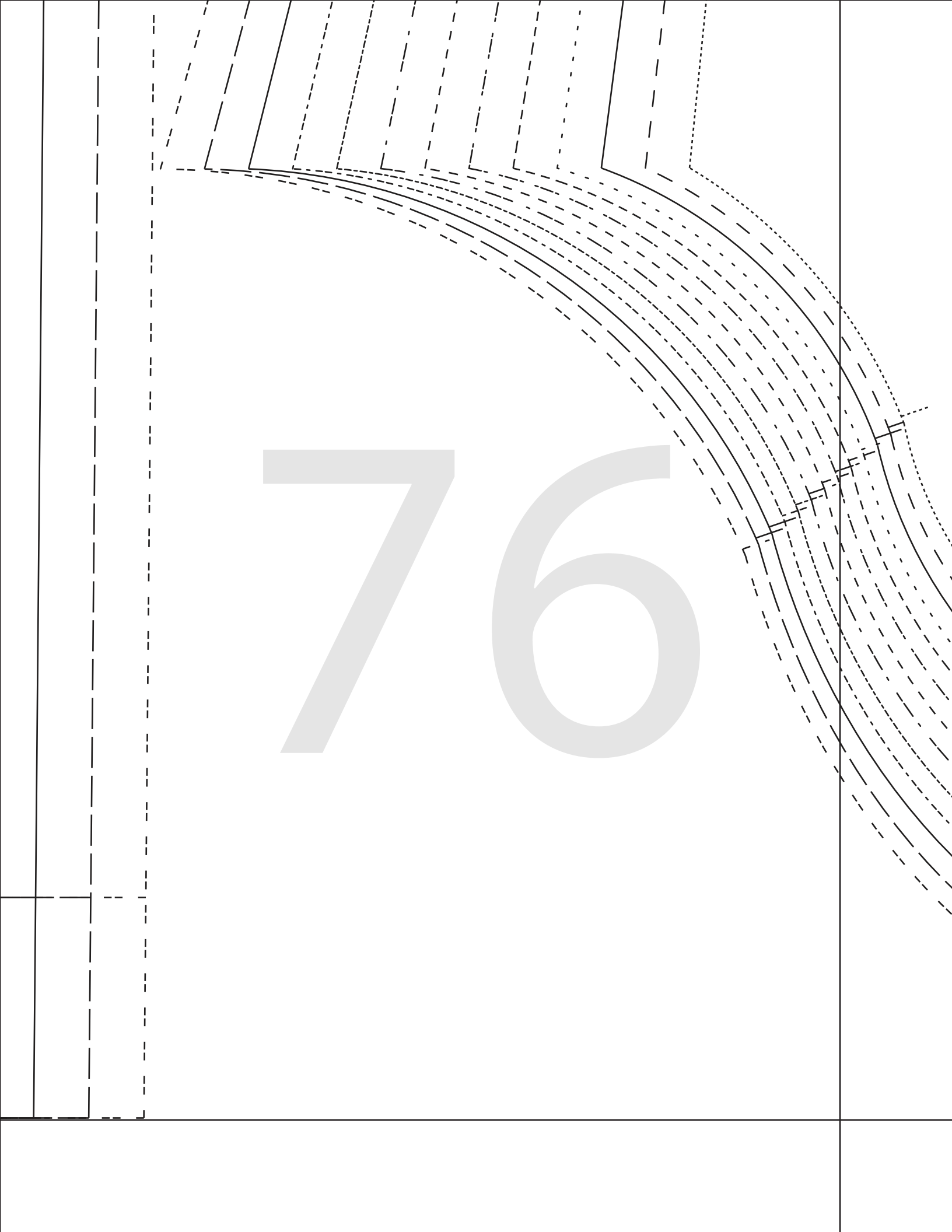
74

CUT HERE 55 cms (22") LENGTH
HEM ALLOWANCE = 2.5 cms (1")

CUT HERE 60 cms (24") LENGTH
HEM ALLOWANCE = 2.5 cms (1")

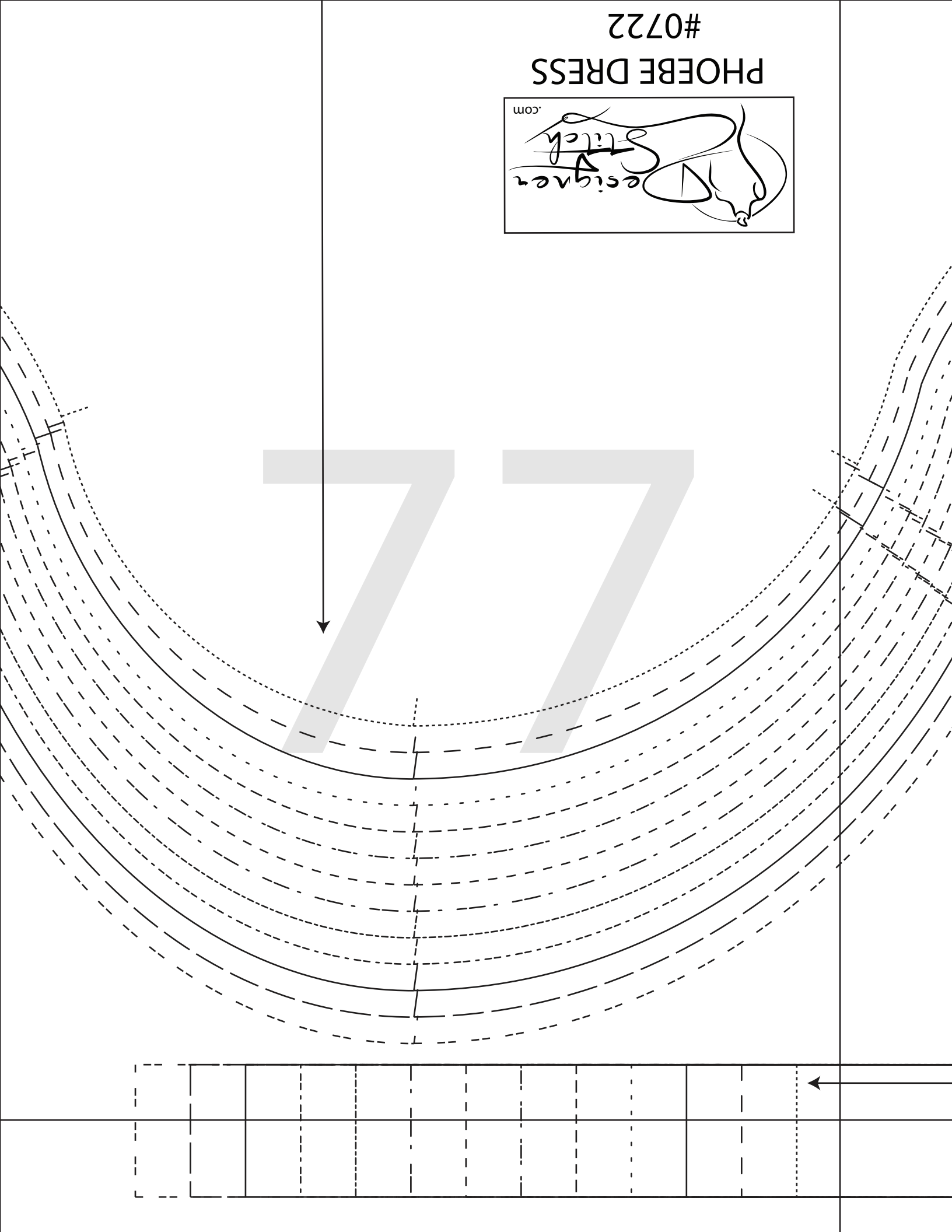
75

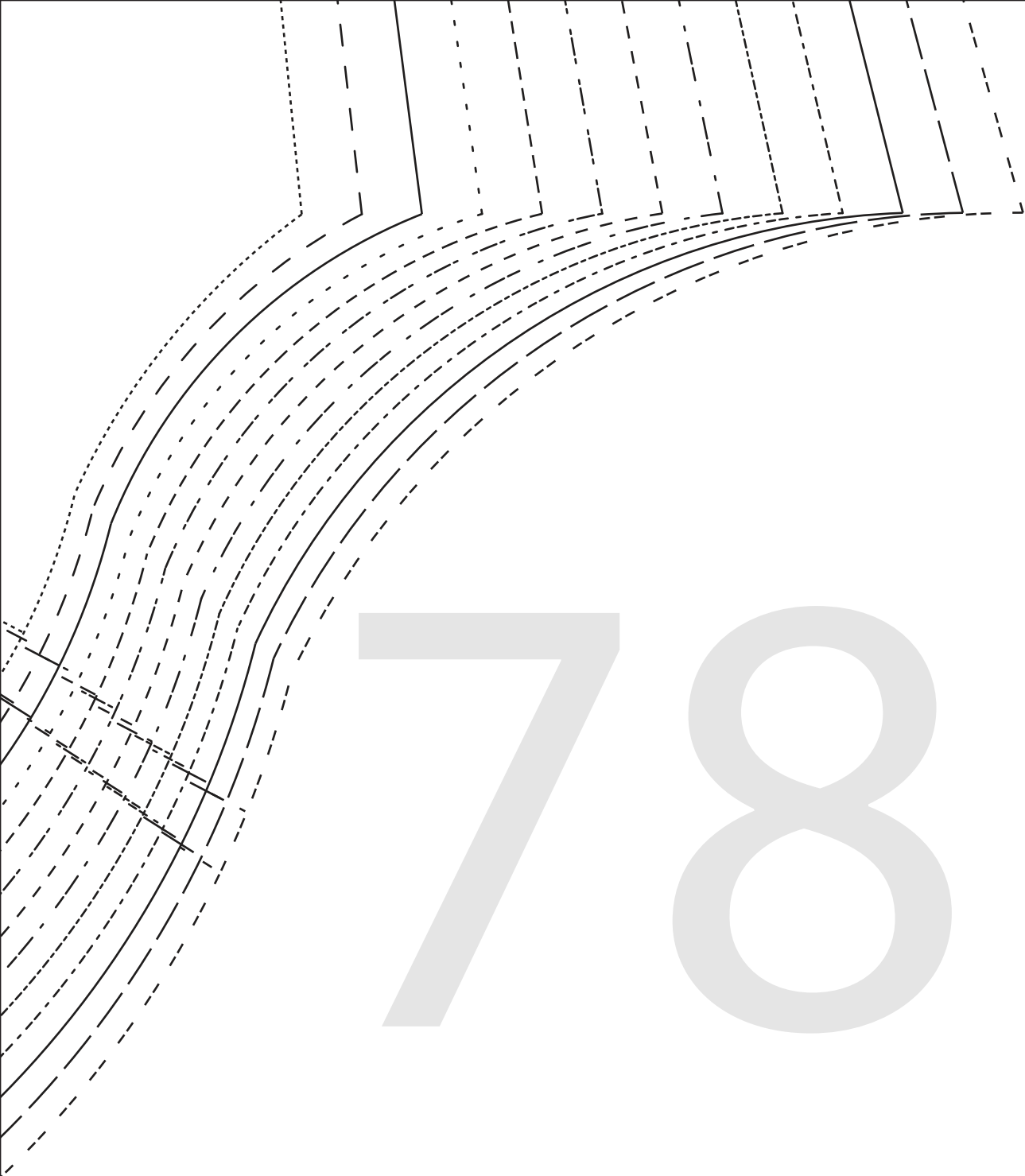
76



#0722

PHOEBE DRESS





78

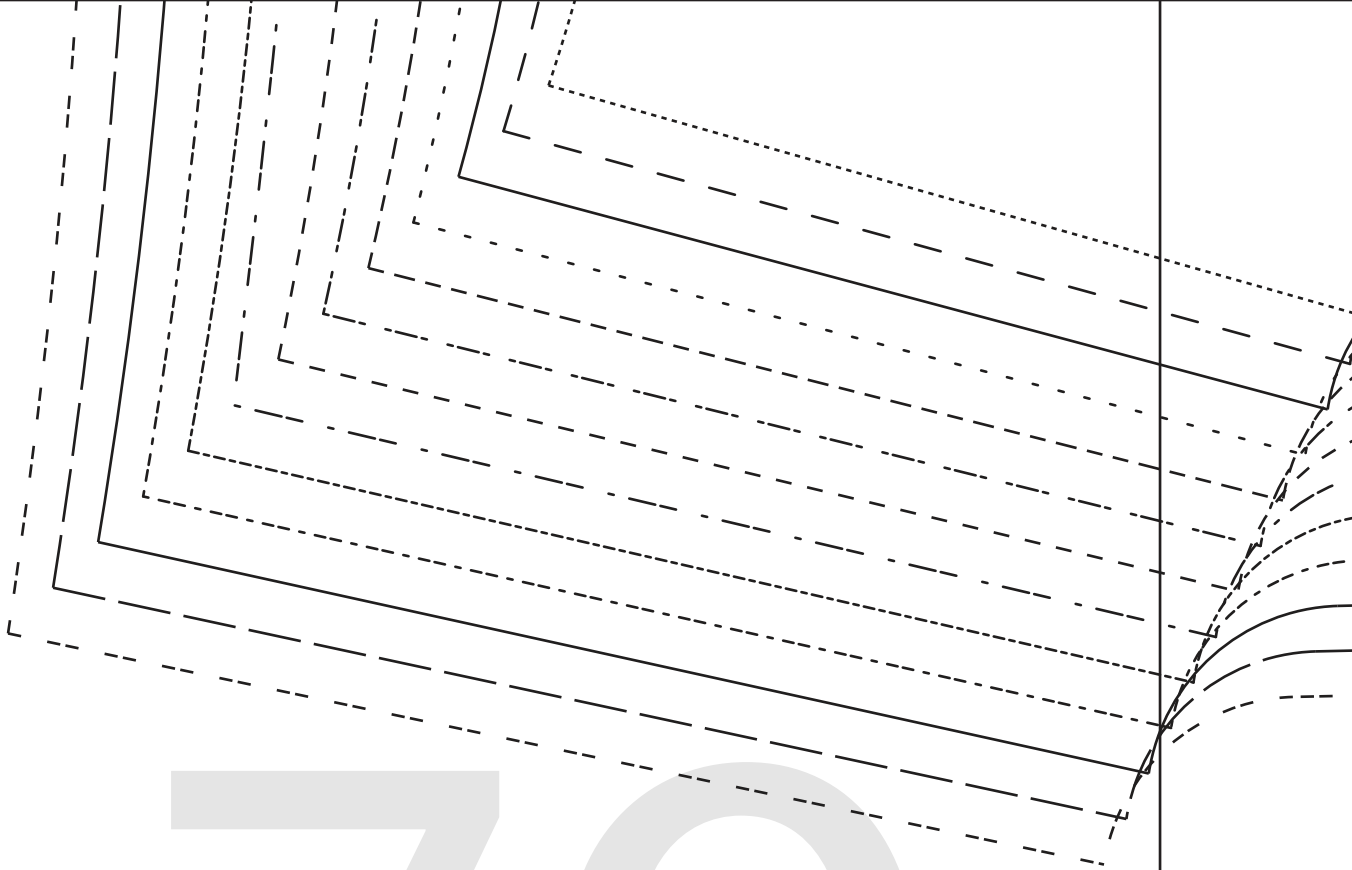


GREATEST STRETCH

PHOEBE DRESS
#0722

11
ARMHOLE BIND
CUT 2
(6mms (1/4") seam allowance
unless otherwise stated)



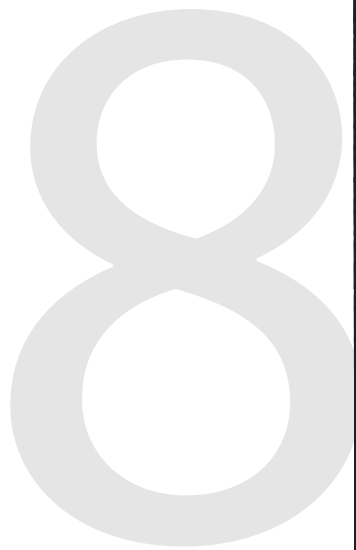
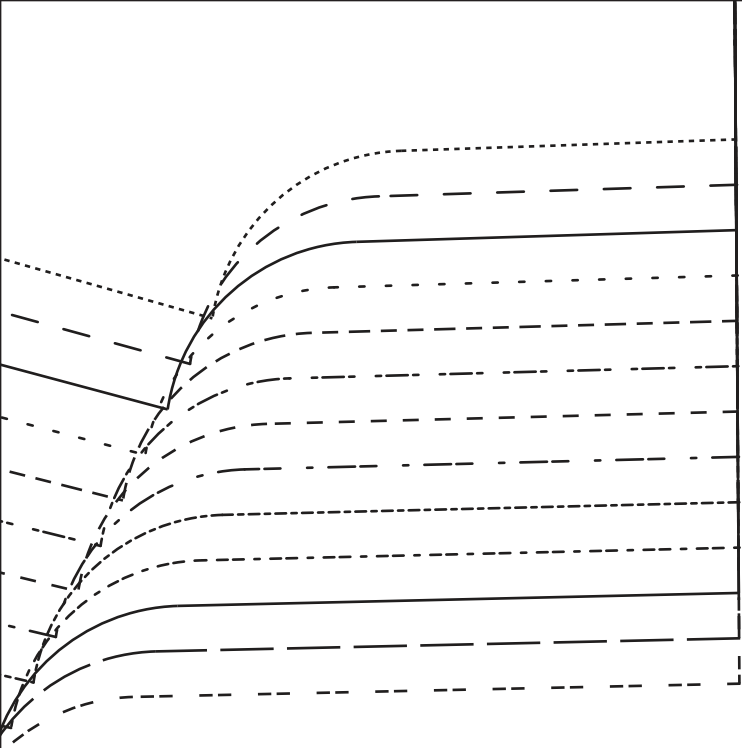


79

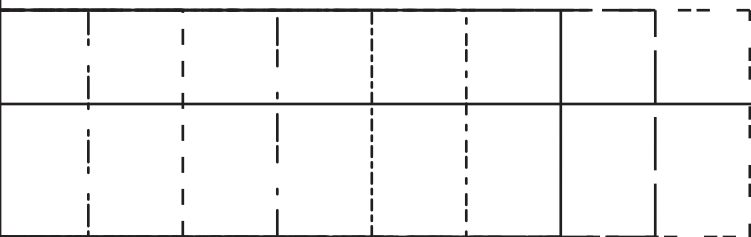


D

nce
b)



CUT HERE 55 cms (22") LENGTH
HEM ALLOWANCE = 2.5 cms (1")



CUT HERE 60 cms (24") LENGTH
HEM ALLOWANCE = 2.5 cms (1")

8 1

82