



GRETA DRESS #1022



GRETA DRESS #1022
5 FRONT SKIRT KNEE LENGTH
CLIP & RIGHT SIDE LIP
(SEE INSTRUCTIONS)

SIZE KEY

1	----
2	----
3	----
4	----
5	----
6	----
7	----
8	----
9	----
10	----
11	----
12	----
13	----
14	----

STRETCH

FRONT SKIRT - KNEE LENGTH

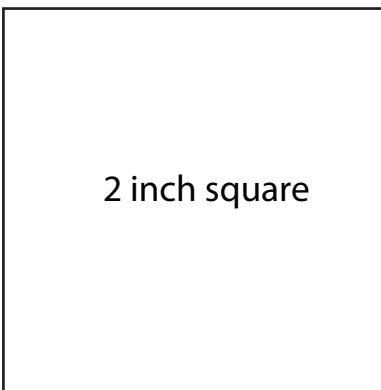
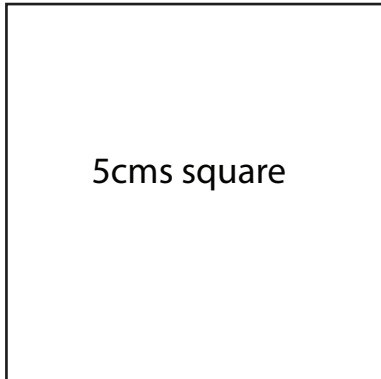
PRINT TILING TEMPLATE GUIDE FOR SIZE SPECIFIC CHOICE

TRIMLESS PRINT AT HOME PATTERN

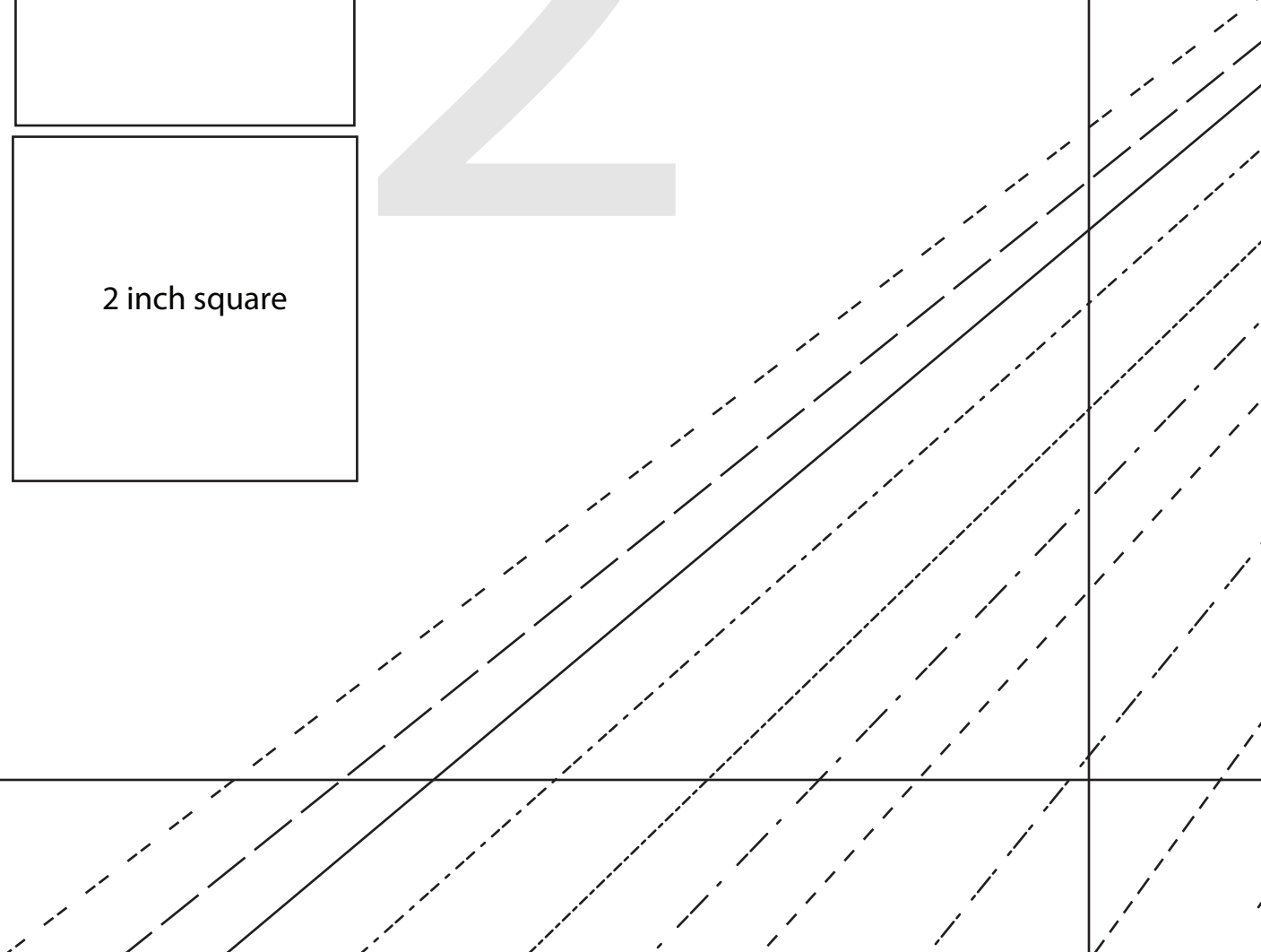


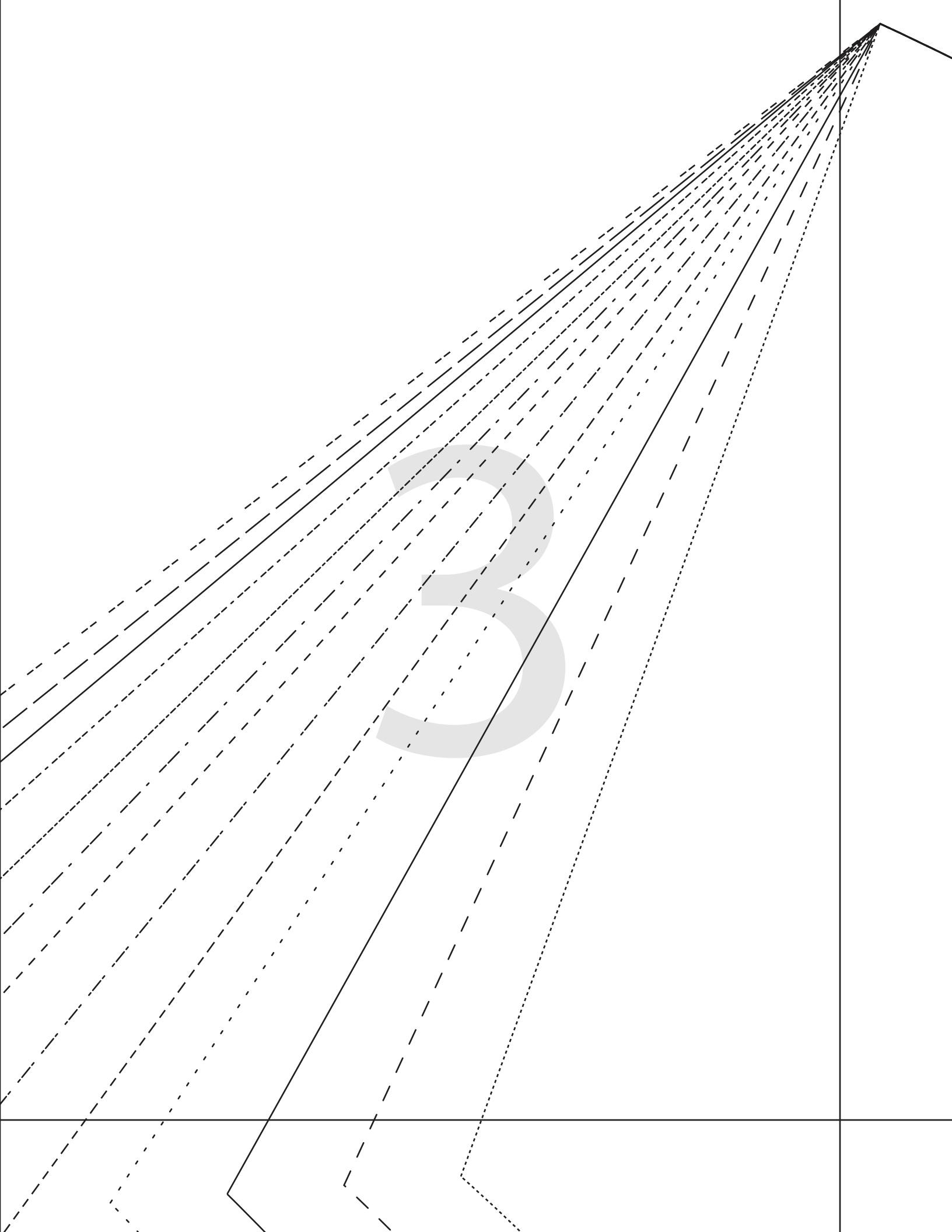
GRETA DRESS

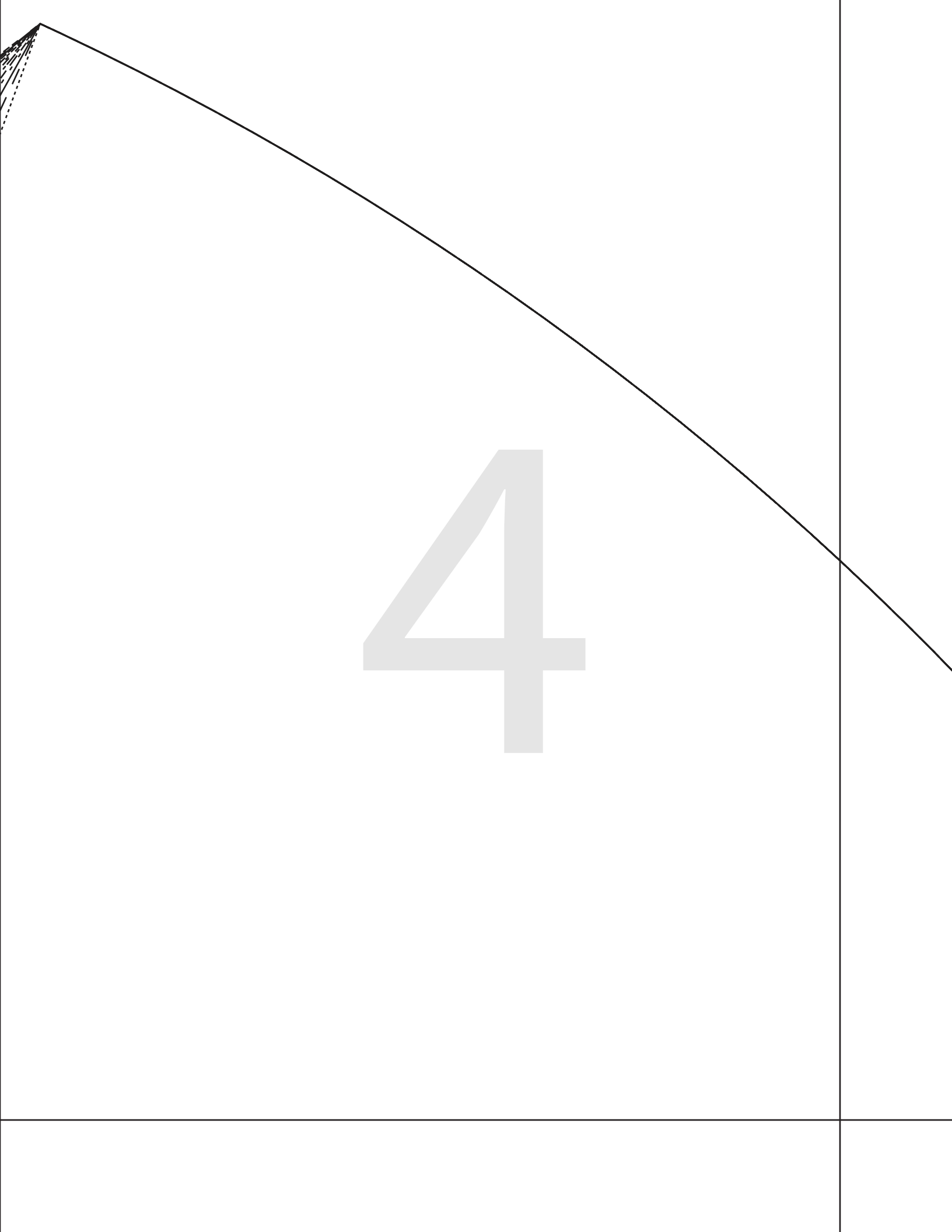
#1022



2

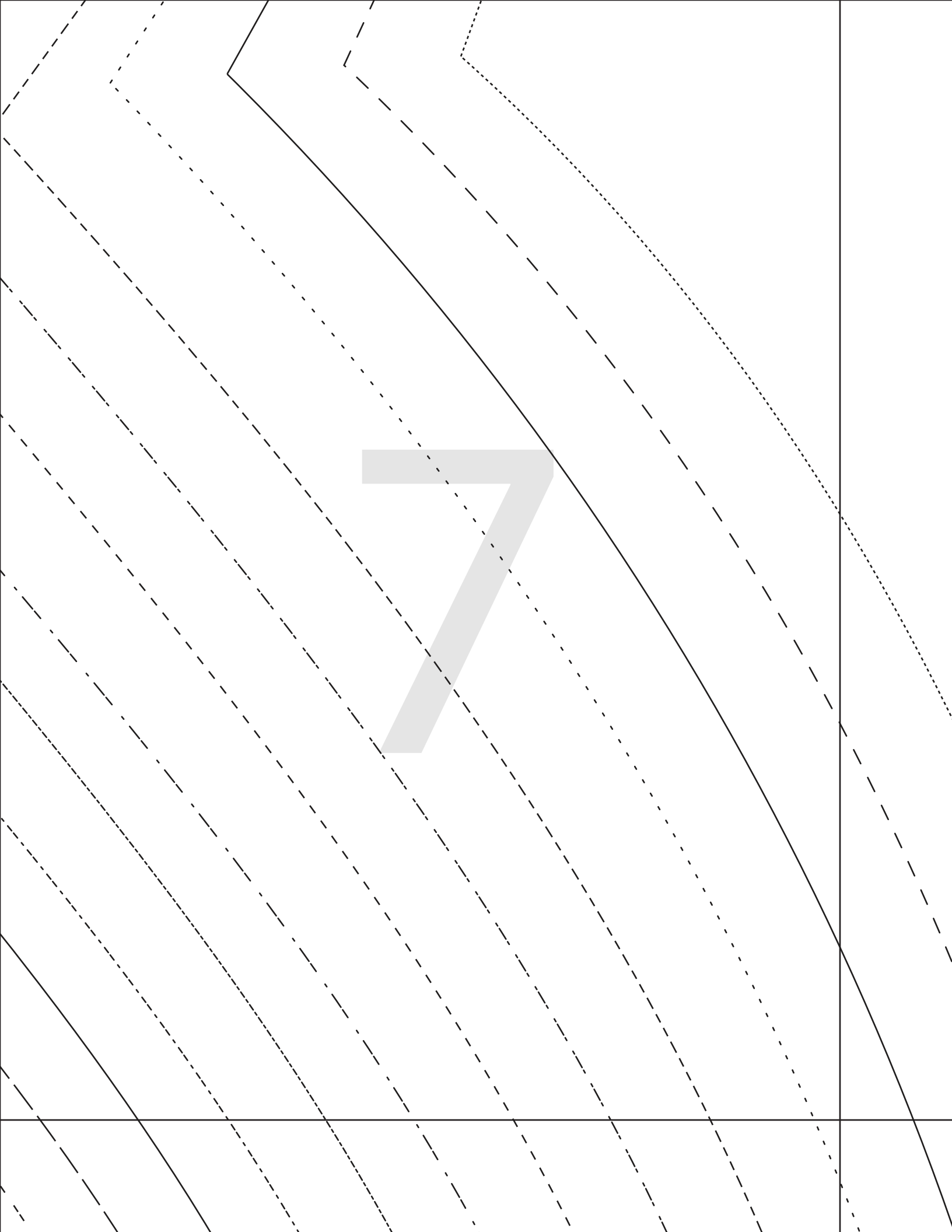




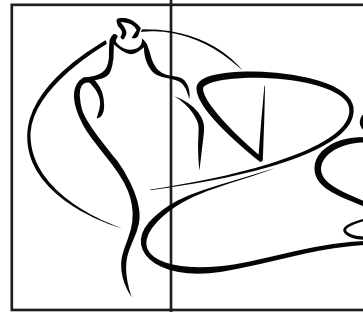


5

6



8



GRETA DR
#1022

5

FRONT S

KNEE LEN

CUT 1 RIGHT

(6 mms (1/4") seam
unless otherwi



PRETA DRESS
#1022

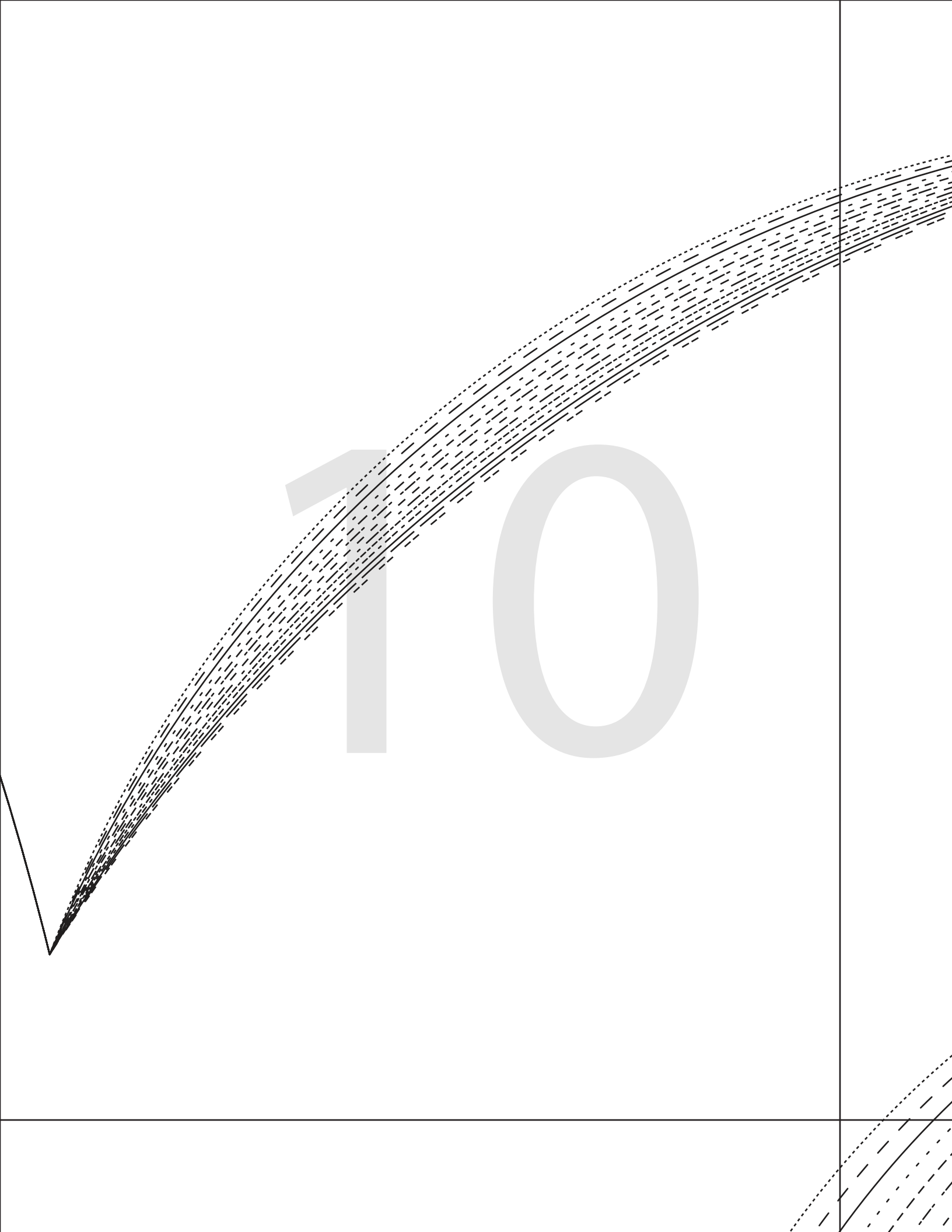
5

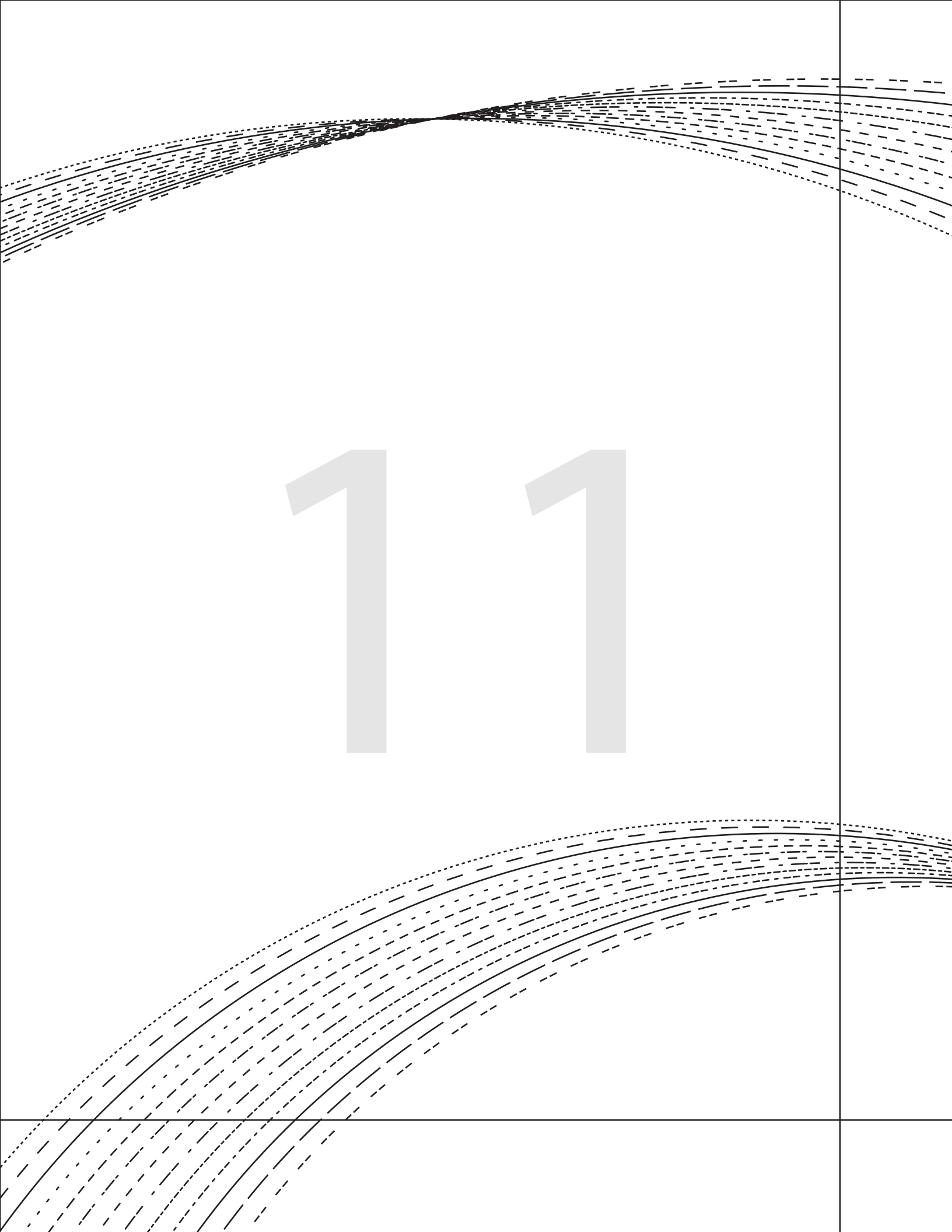
FRONT SKIRT
KNEE LENGTH
RIGHT SIDE UP

1/4" (1/4") seam allowance
(unless otherwise stated)

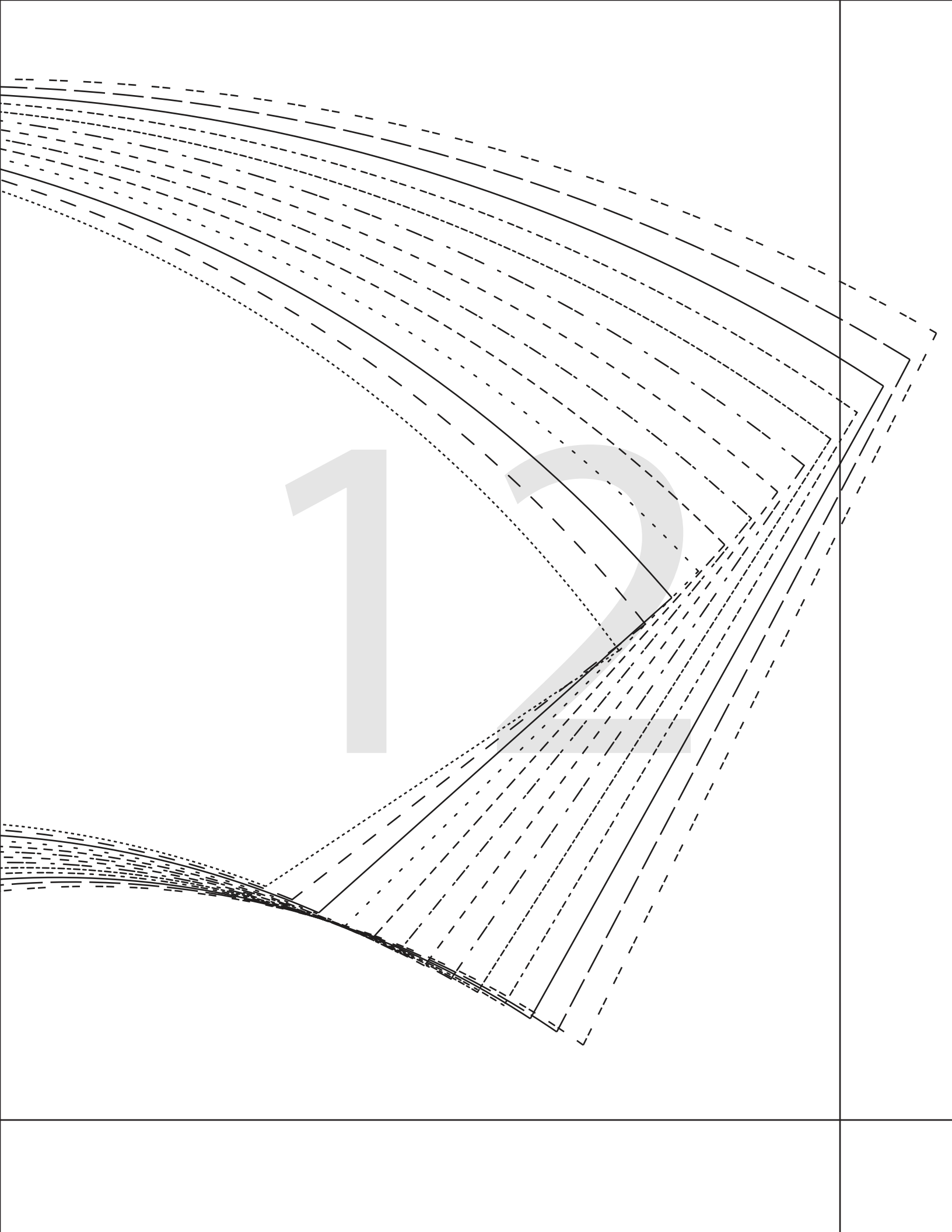
9







11



SIZE KEY

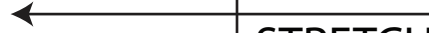
- 1
2 - - - - -
3 _____
4
5 - - - - -
6
7 - - - - -
8 - - - - -
9
10
11 _____
12 - - - - -
13 - - - - -
14
15
16
17
18
19
20
21
22
23
24
25
26
27
28
29
30



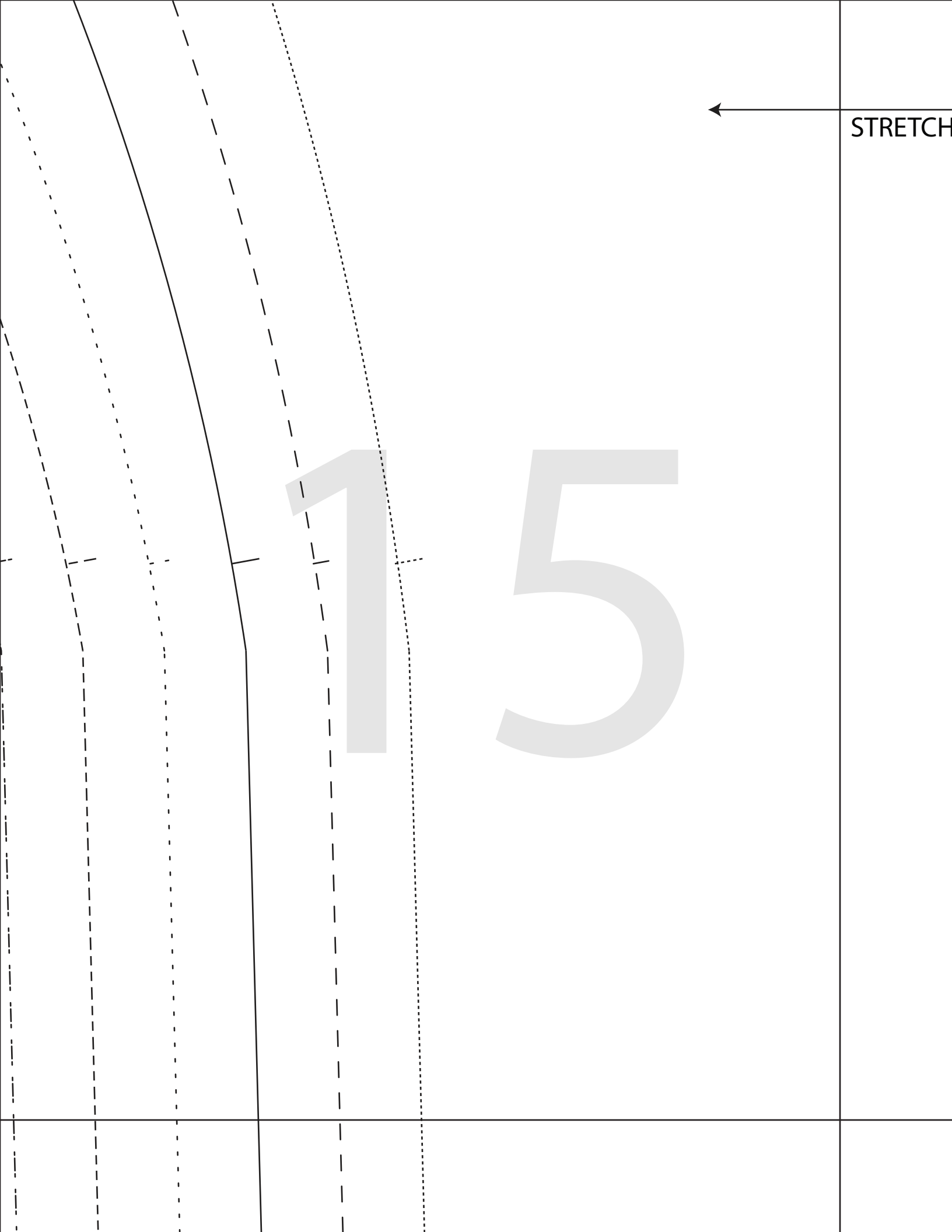
1

4

STRETCH



15



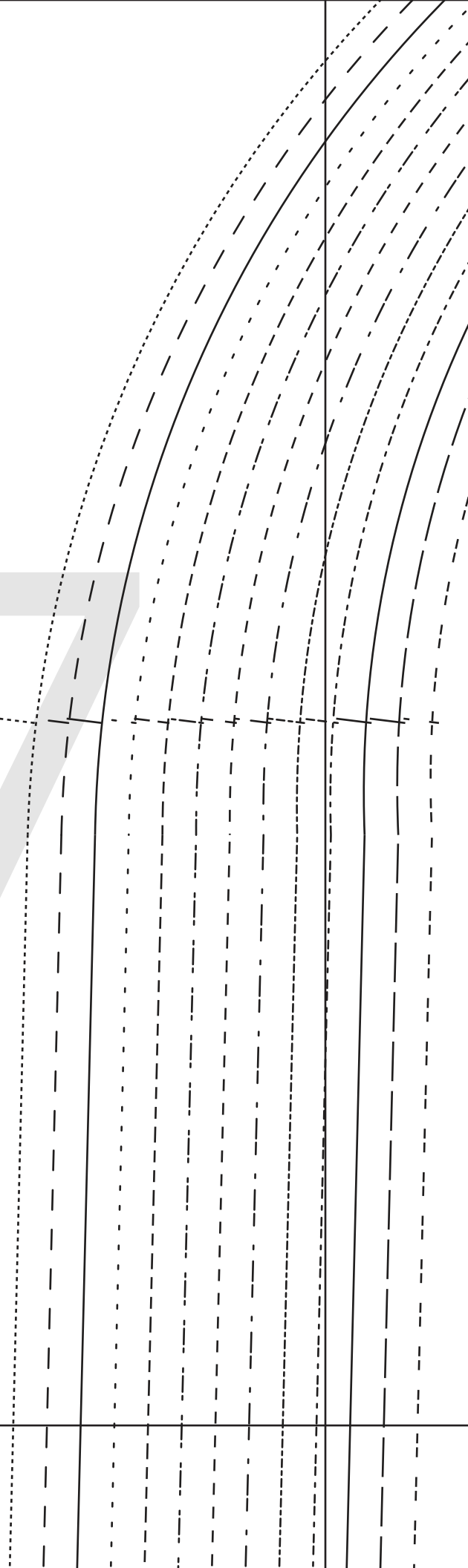
STRETCH →

16



1

7



A decorative graphic in the top-left corner consisting of several curved lines. There are two solid lines and two dashed lines, all curving from the top-left towards the center of the page.

18

19

20

HEM ALLOWANCE = 3 cms (1 1/4")

21

22

23