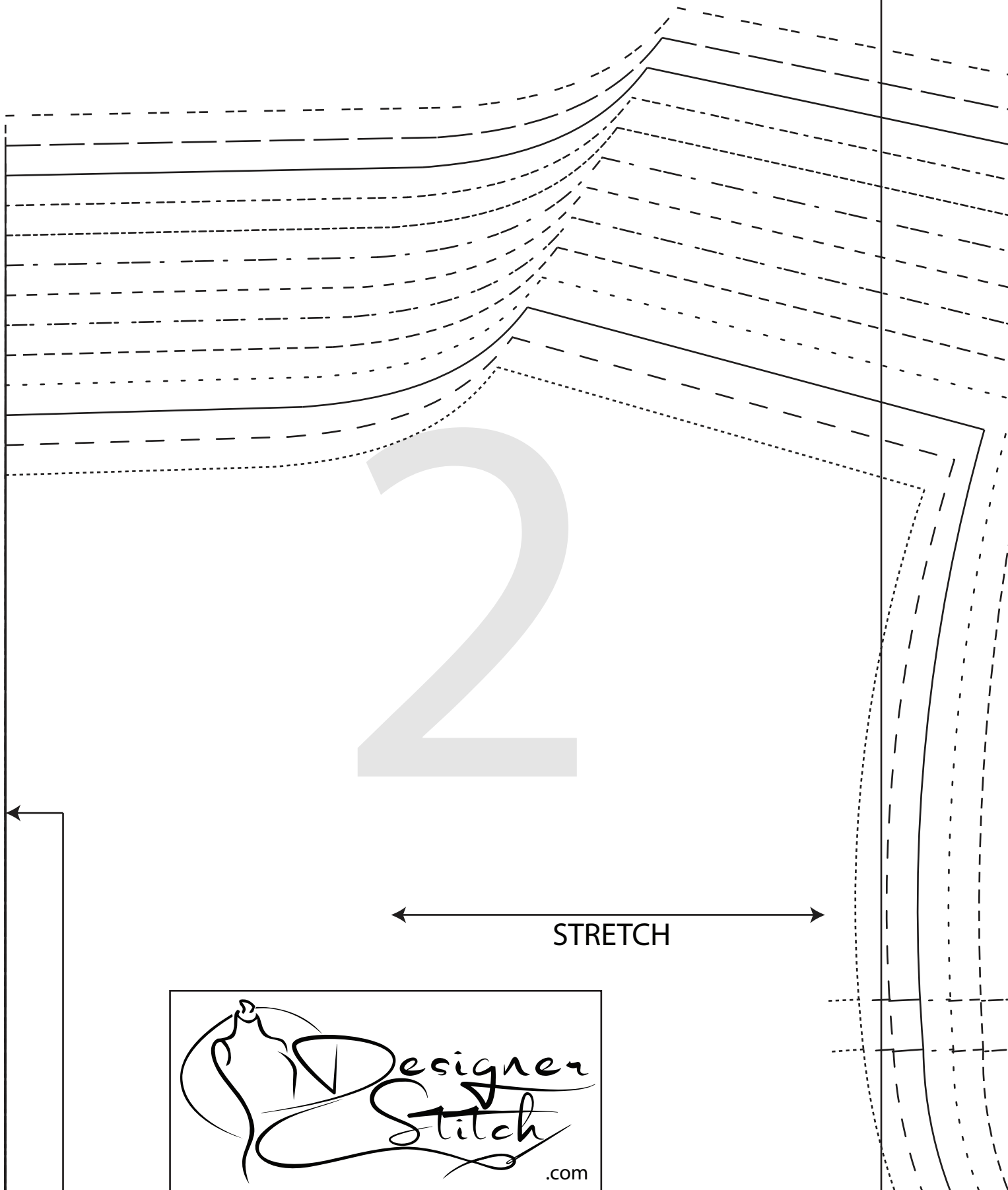


PRINT TILING TEMPLATE GUIDE FOR SIZE SPECIFIC CHOICE
 TRIMLESS PRINT AT HOME PATTERN



2

STRETCH



GRETA DRESS

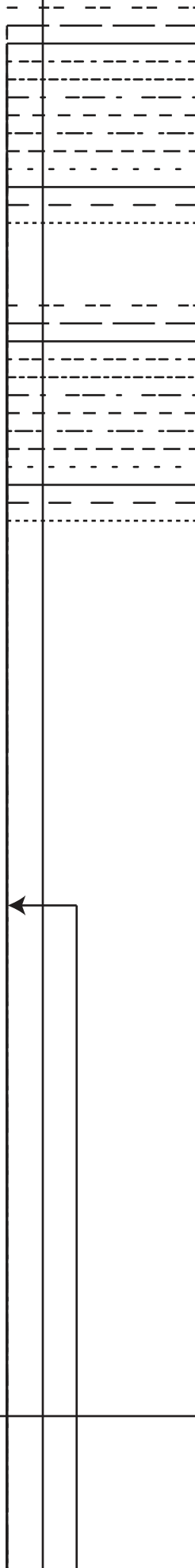
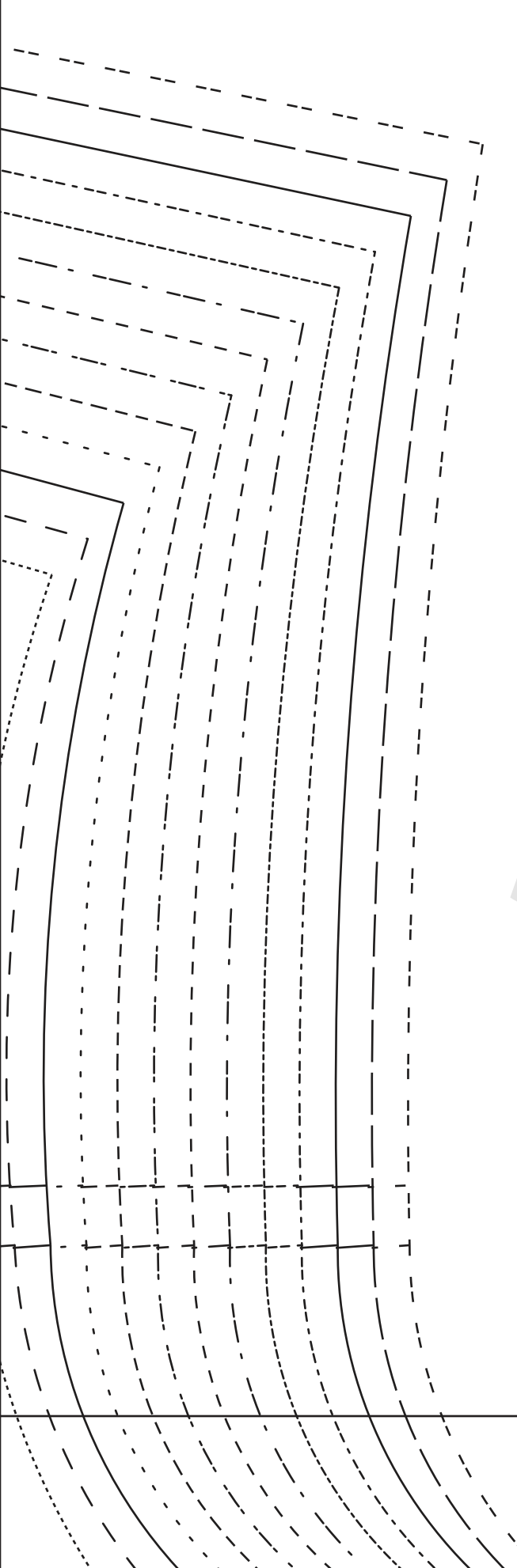


GRETA DRESS

#1022

5cms square

2 inch square



4

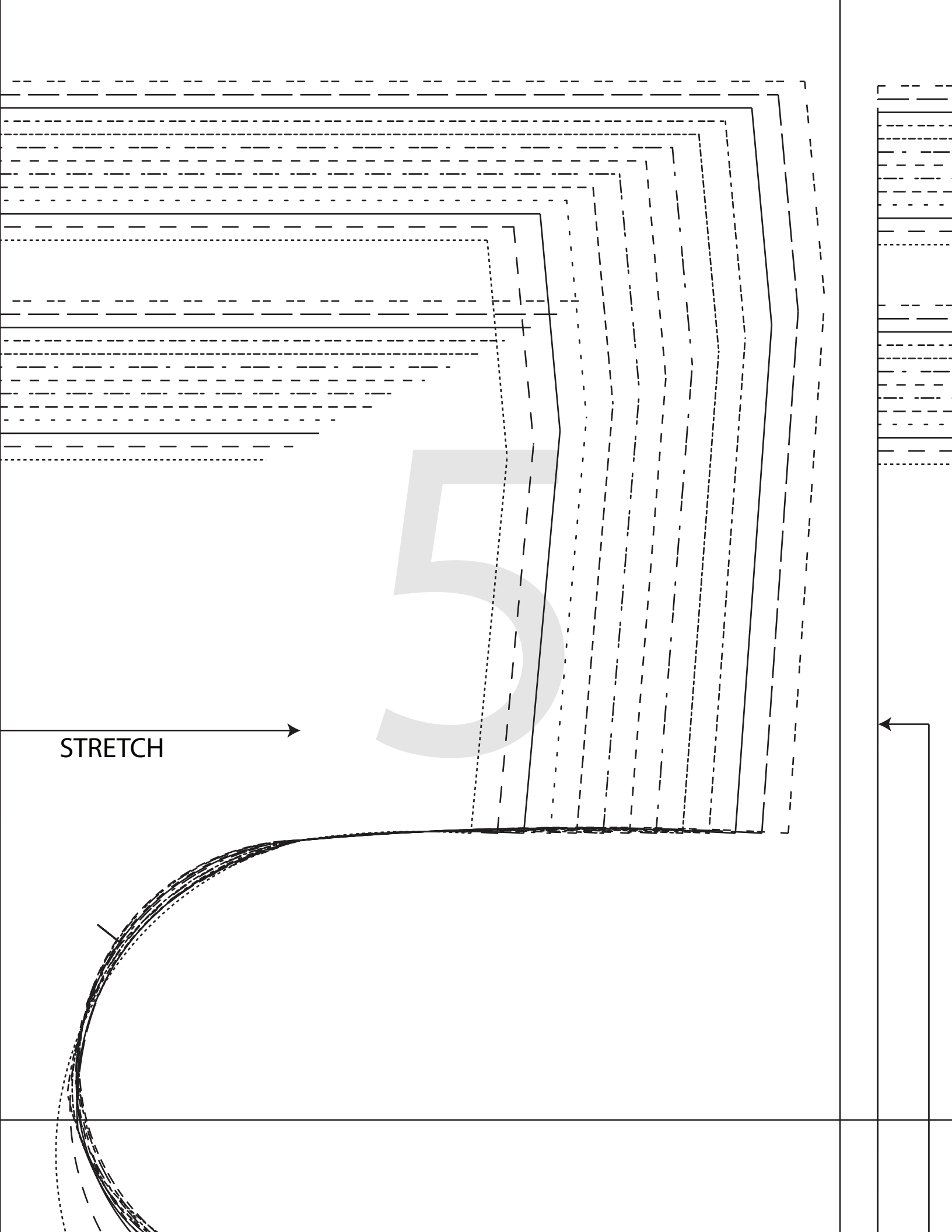
← STRE



GRETA DRESS

#1022

3



STRETCH

5

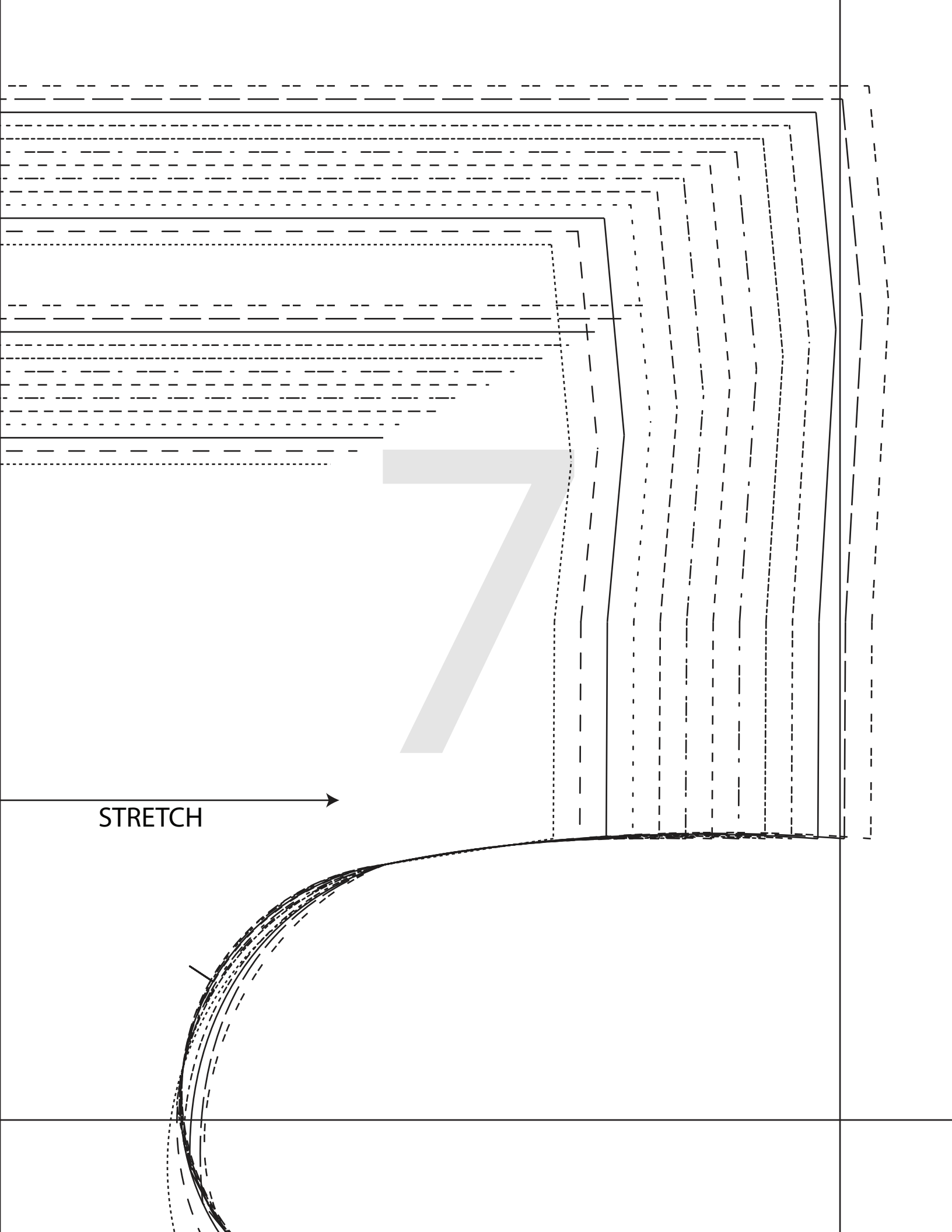
6



GRETA DRESS

#1022

3



STRETCH

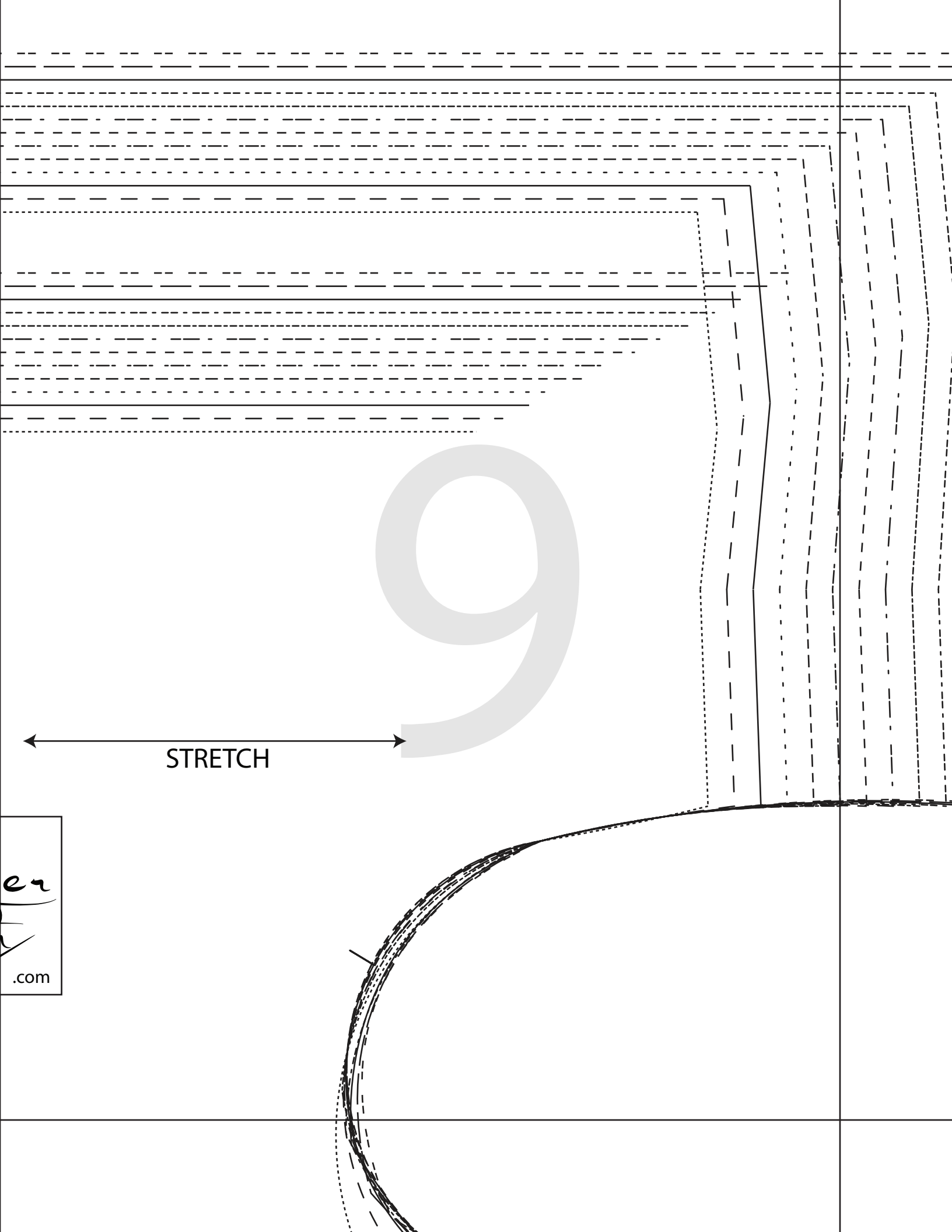
8



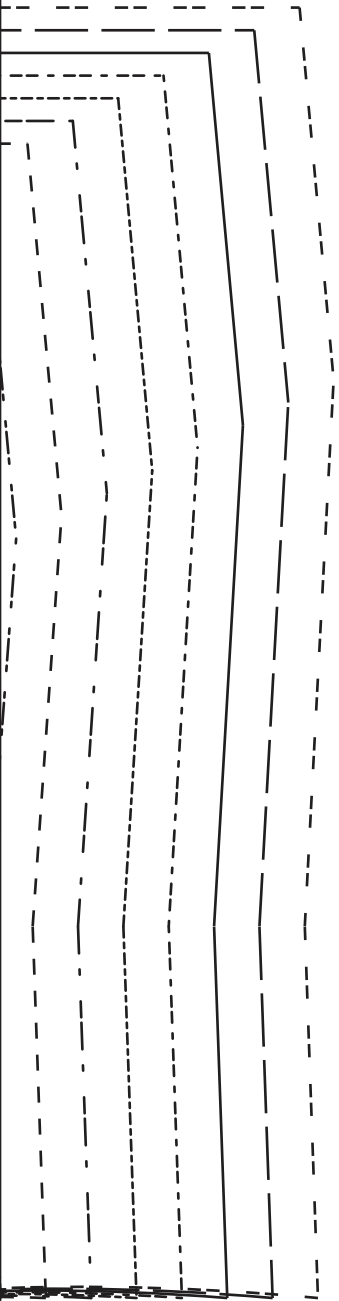
GRETA DRESS

#1022





STRETCH



10

GRETA DRESS
#1022

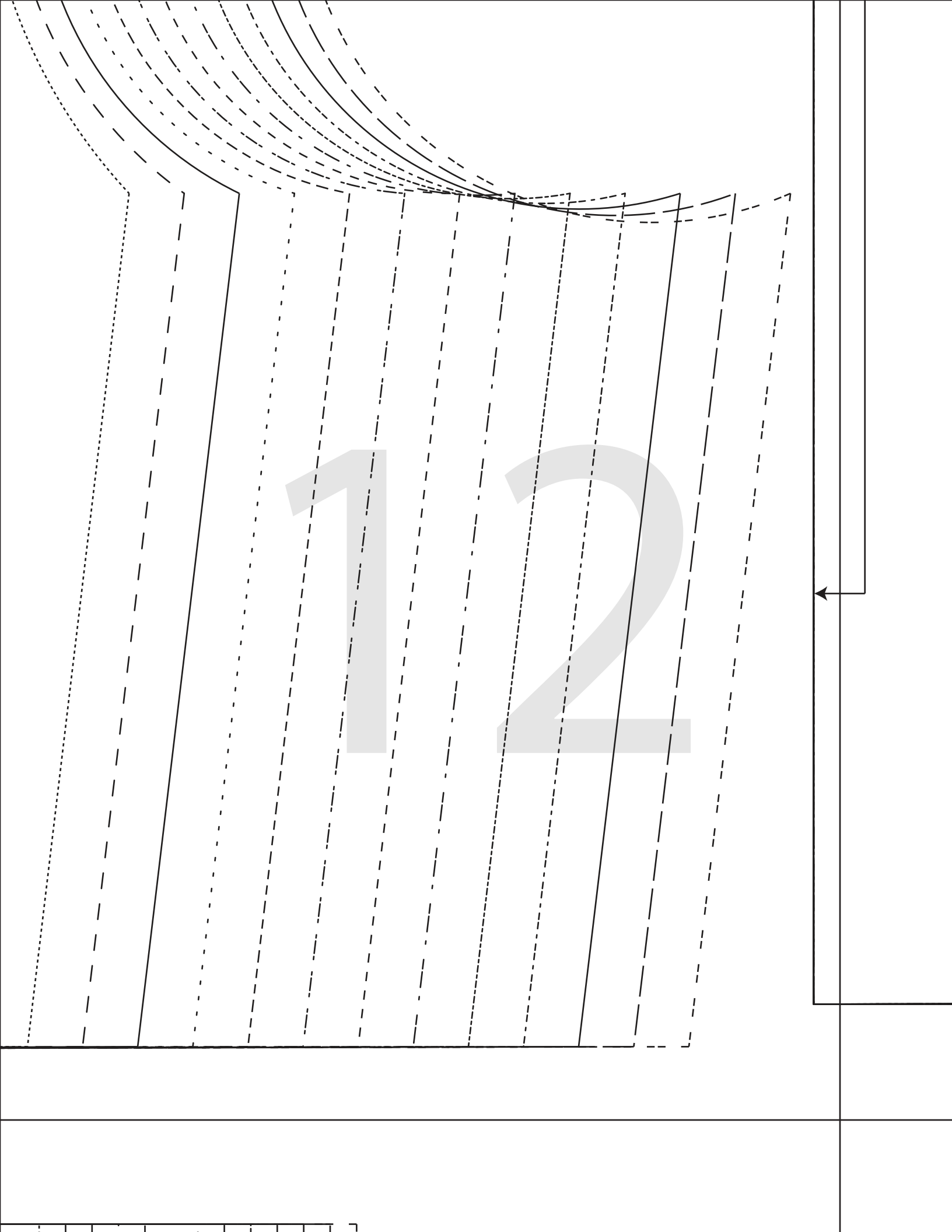
1

BACK

CUT 1 FOLD

(6 mms (1/4") seam allowance
unless otherwise stated)





#1022

3

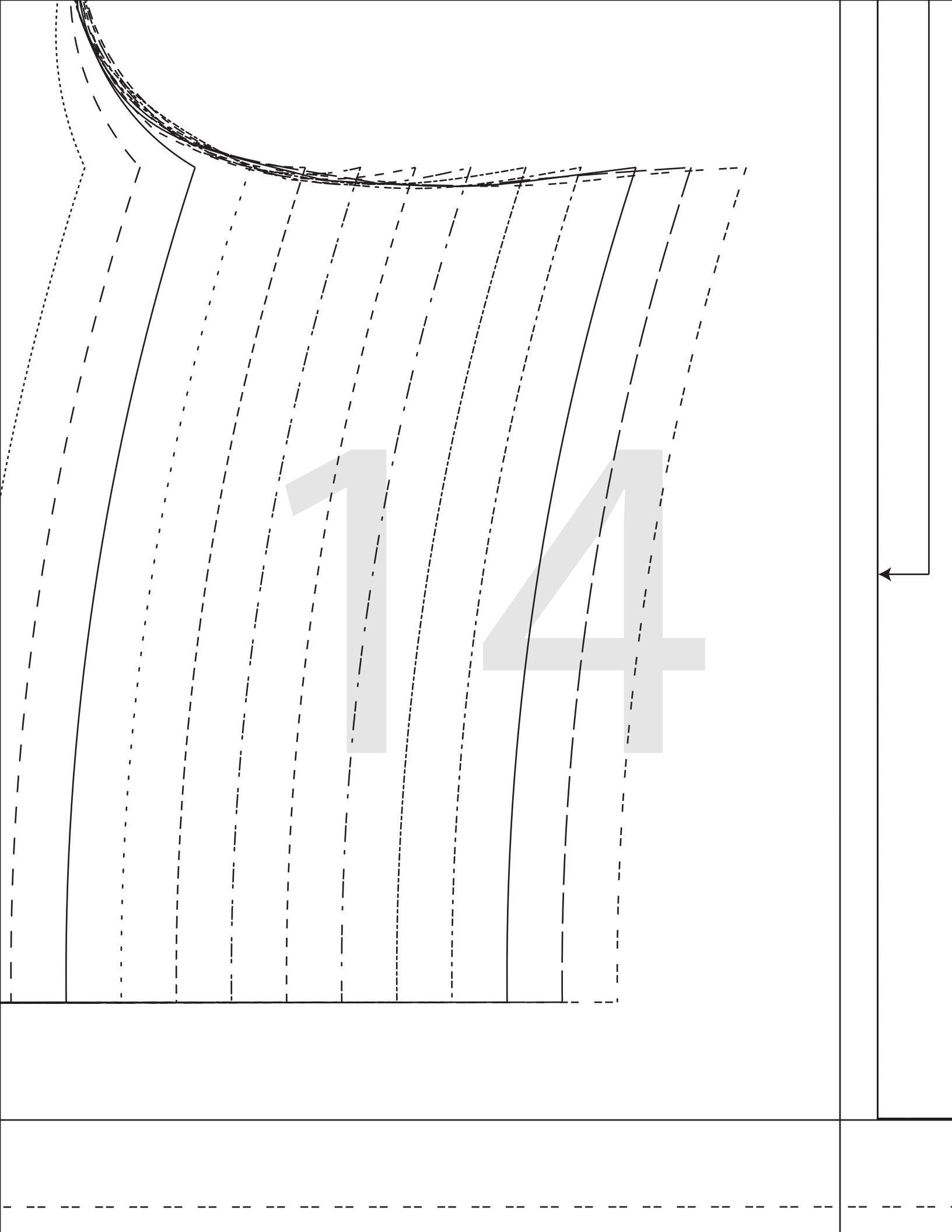
FRONT - B/C Cup

CUT 1 FOLD

(6 mms (1/4") seam allowance
unless otherwise stated)



13



#1022

3

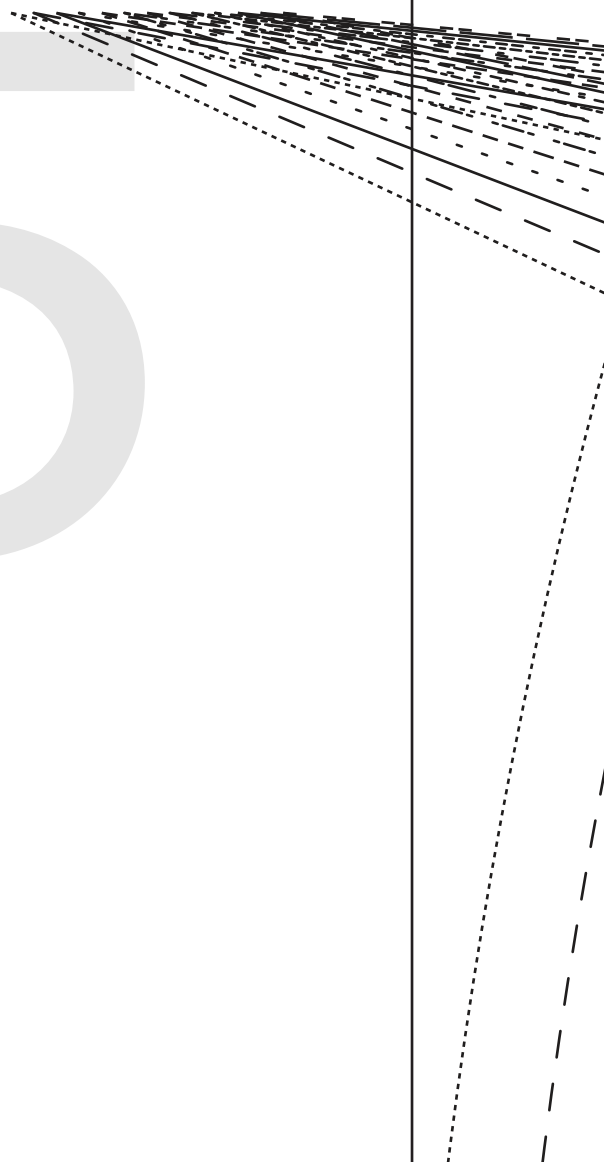
FRONT - D Cup

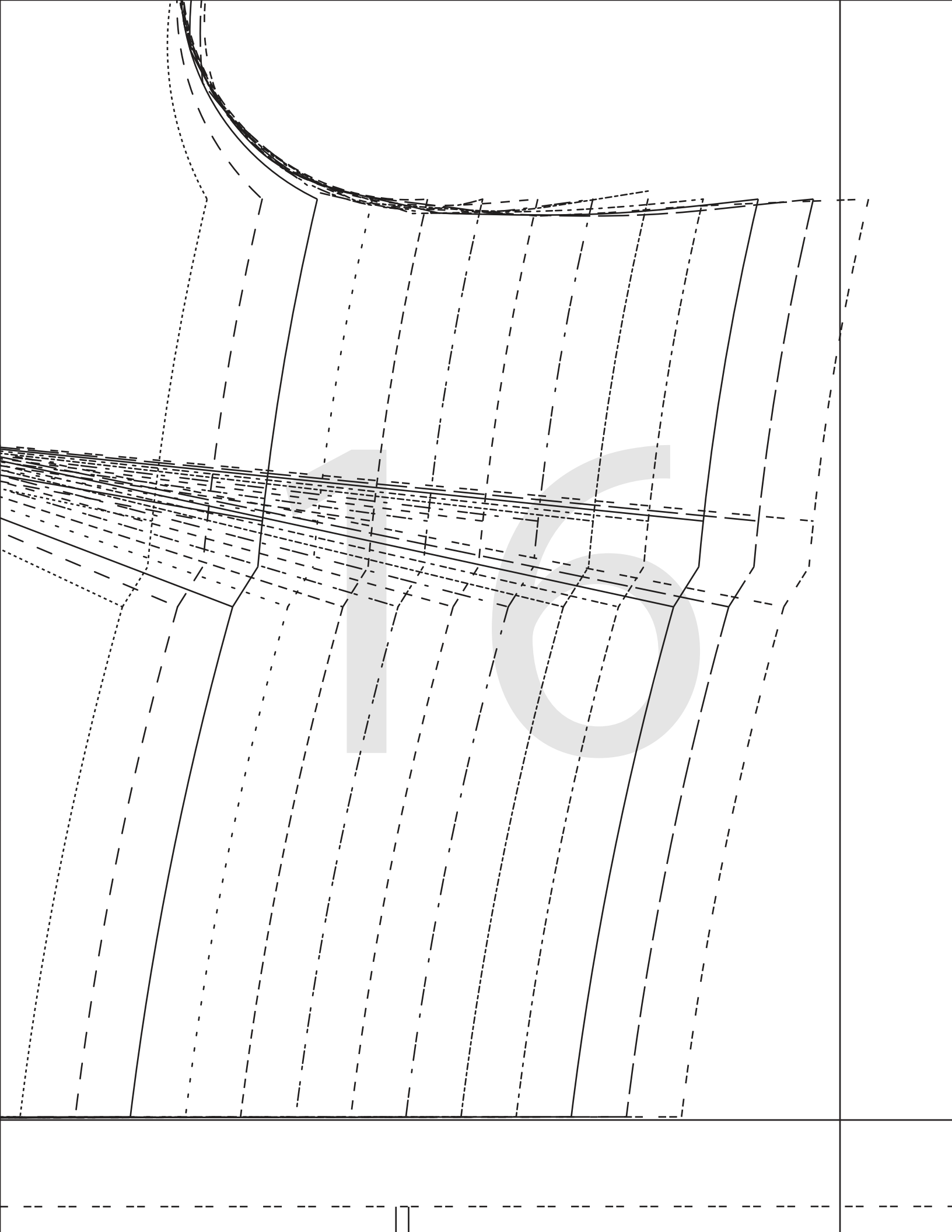
CUT 1 FOLD

(6 mms (1/4") seam allowance
unless otherwise stated)



15





#1022

3

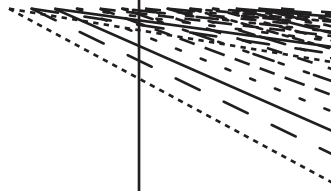
FRONT - DD Cup

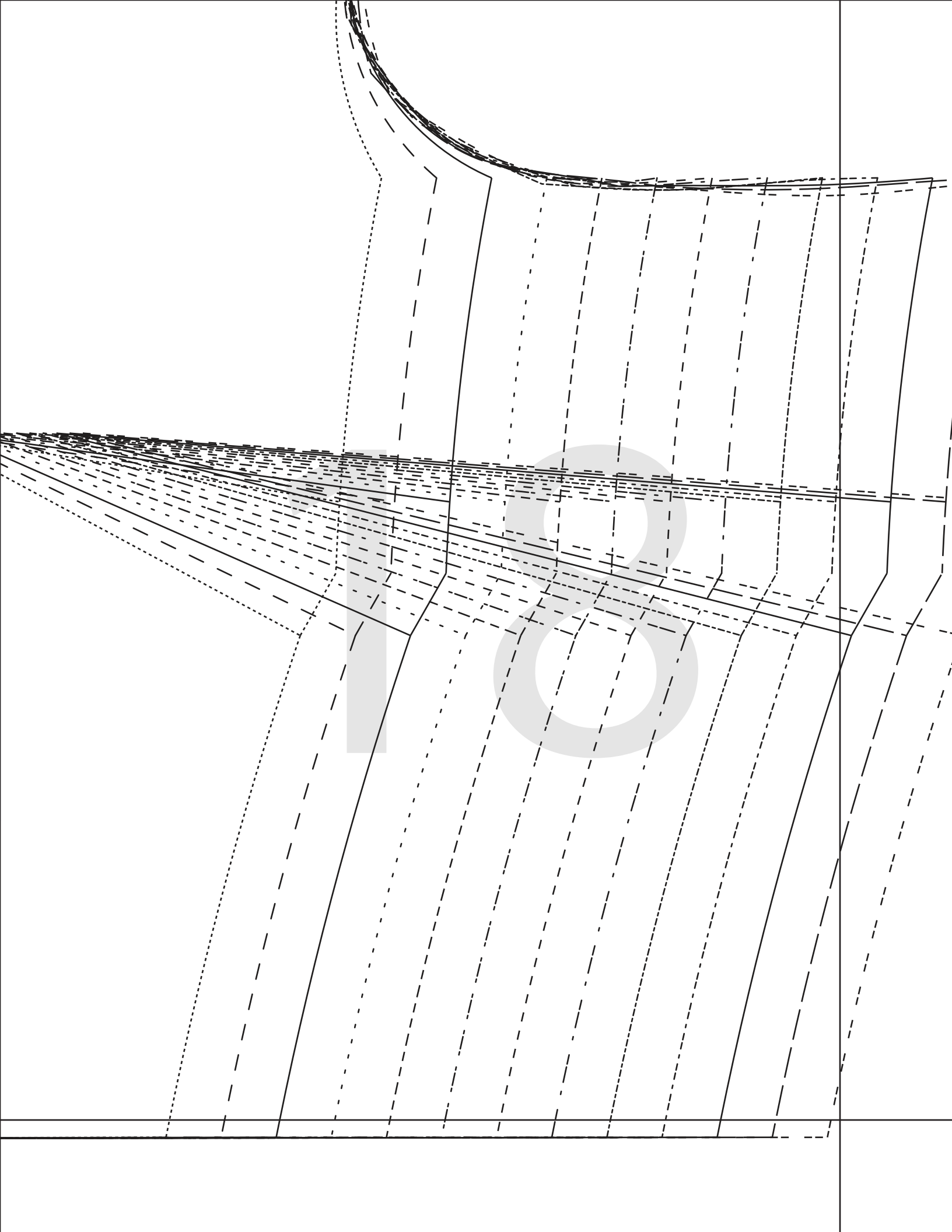
CUT 1 FOLD

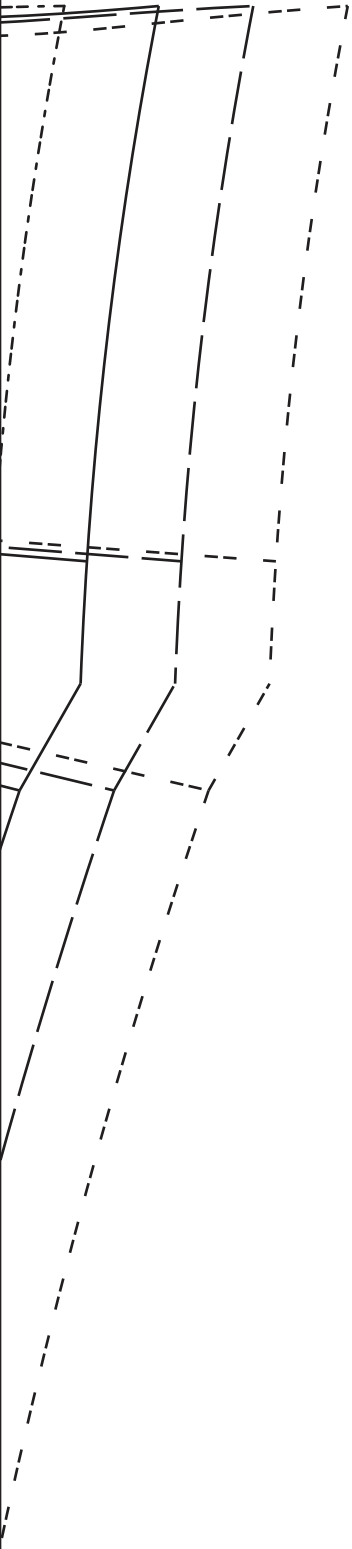
(6 mms (1/4") seam allowance
unless otherwise stated)



17







19



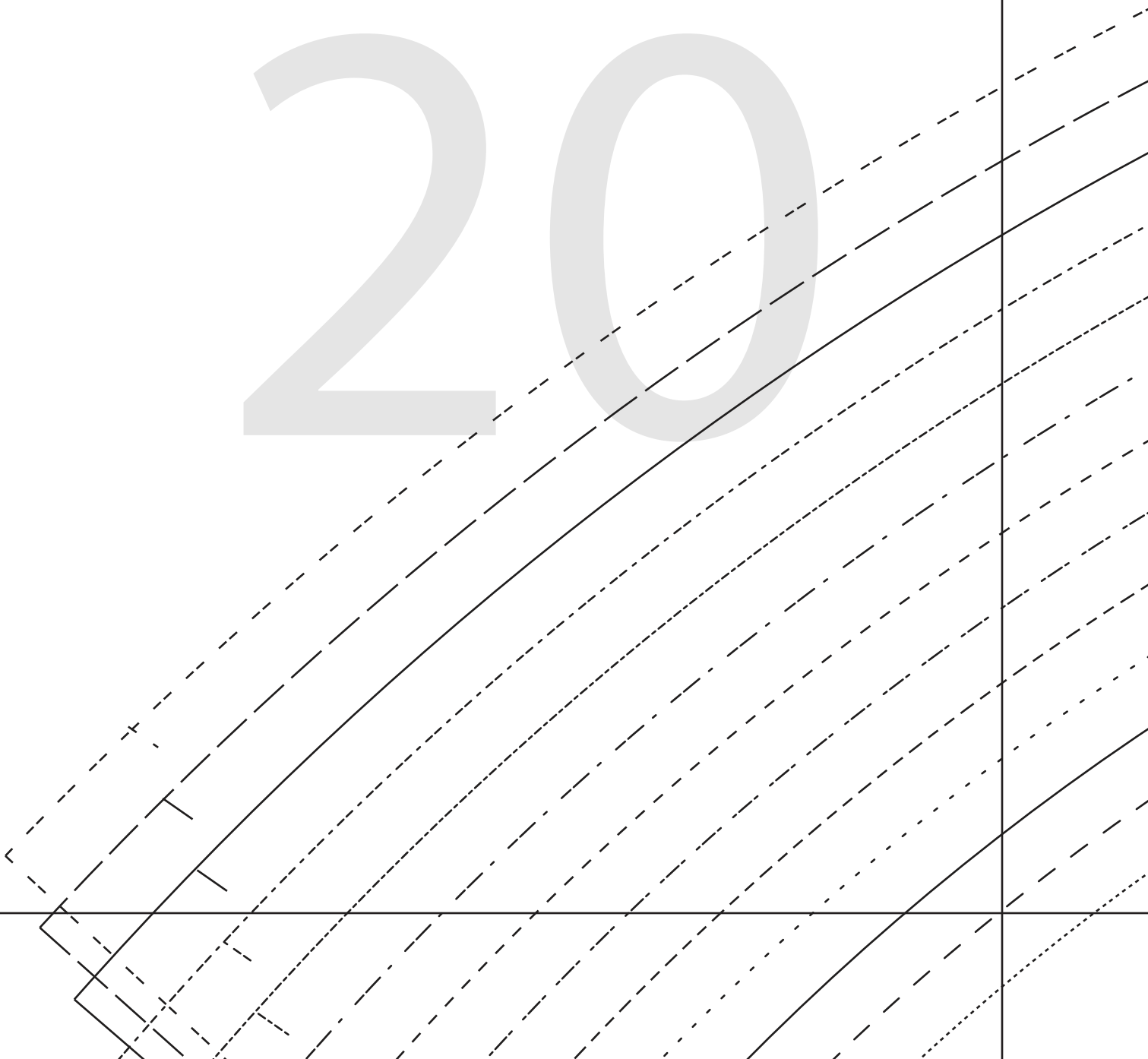
GRETA DRESS
#1022

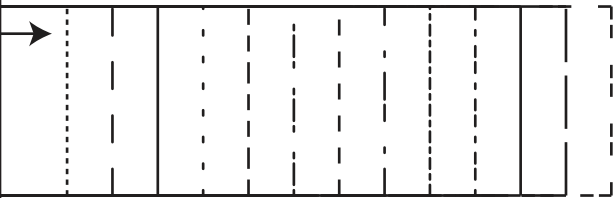


8
NECKLINE BIND
CUT 1
(6 mms (1/4") seam allowance
unless otherwise stated)

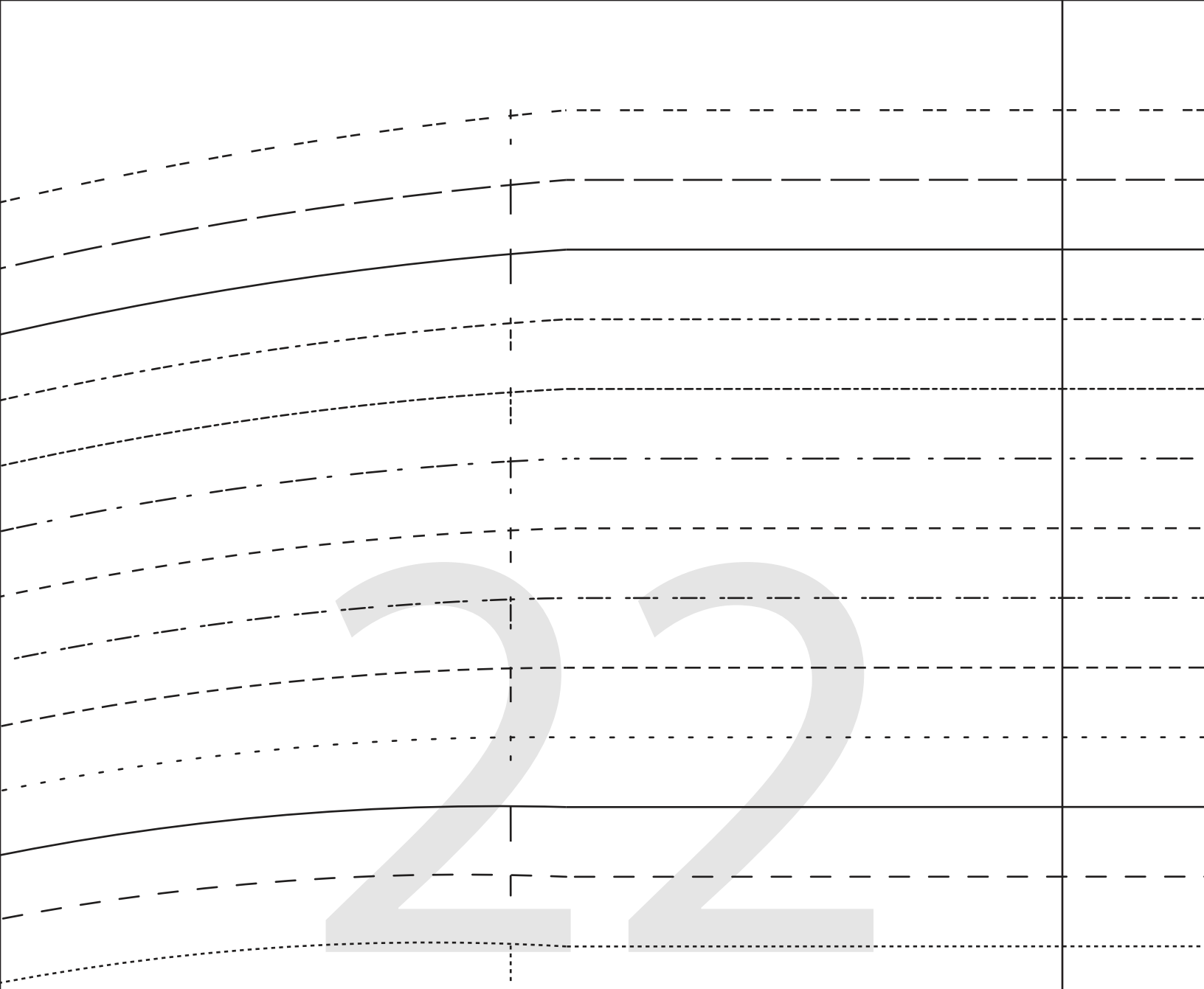
← STRETCH →

20



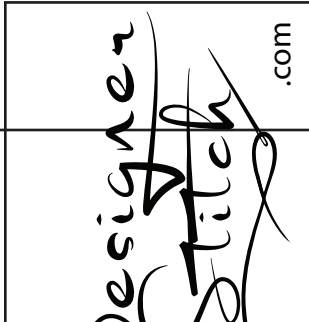


21



STRETCH

HIPLINE



RESS

2

KIRT

2

(am allowance
/ise stated)

23

24



CE = 3 cms (1 1/4")

25

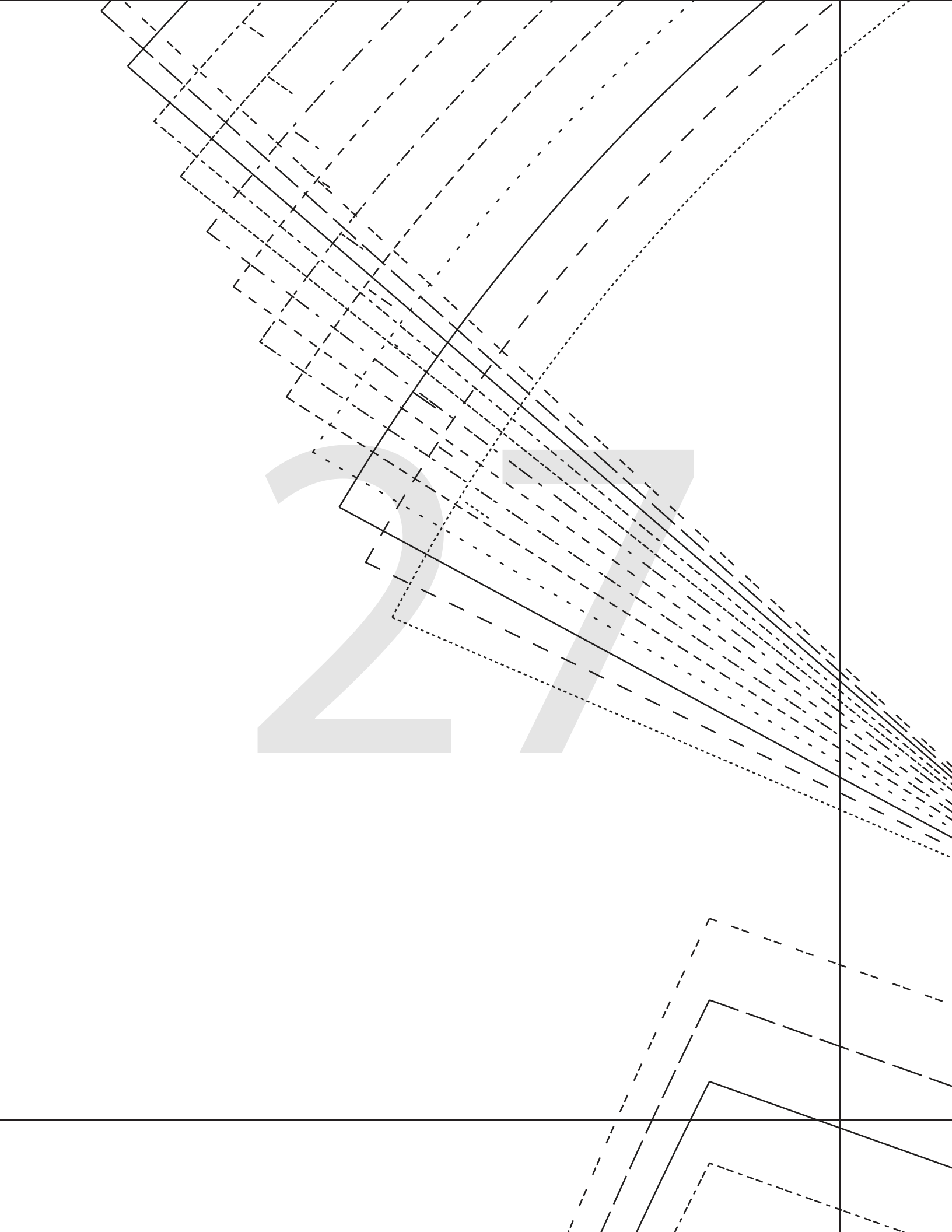
LENGTHEN/SHORTEN HERE

Handwriting practice grid with 10 rows. Each row consists of a solid top line, a dashed middle line, and a solid bottom line. The first row is partially cut off at the top. The grid is used for practicing letter formation.

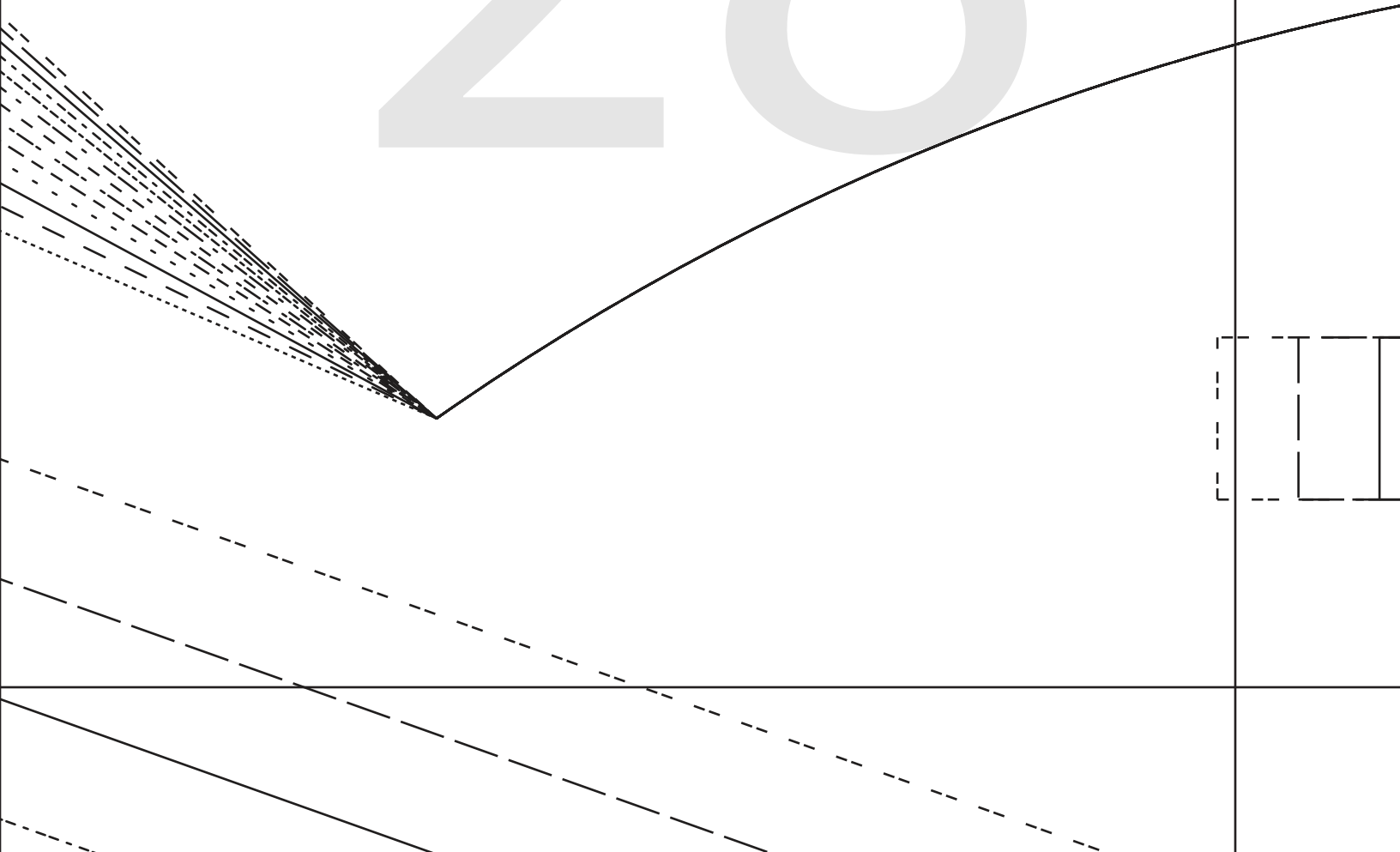
26

ALLOWANCE = 3 cms (1 1/4")

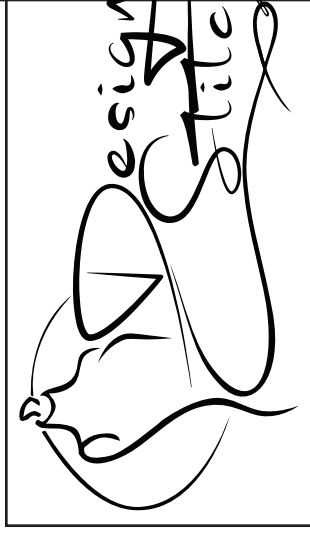
27



28



S



GRETA DRESS
#1022

29

2



2

BACK SKIRT

CUT 2

(6 mms (1/4") seam allowance
unless otherwise stated)

30



GRETA DRESS
#1022

7
ARMHOLE BIND
CUT 2
(6 mms (1/4") seam allowance
unless otherwise stated)



STRETCH

3

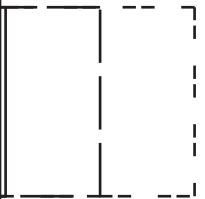
1

CUT HERE FOR 60cms (24") LENGTH HEM ALLOWANCE = 3 cms (1 1/4")

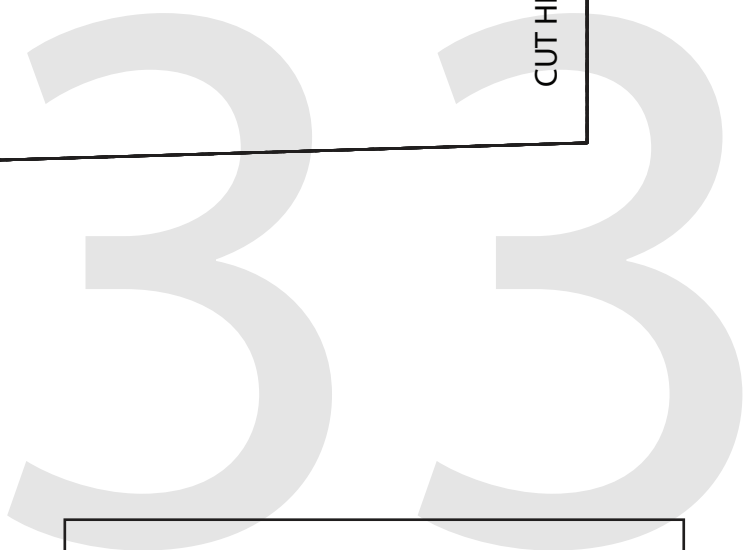
STRETCH



32



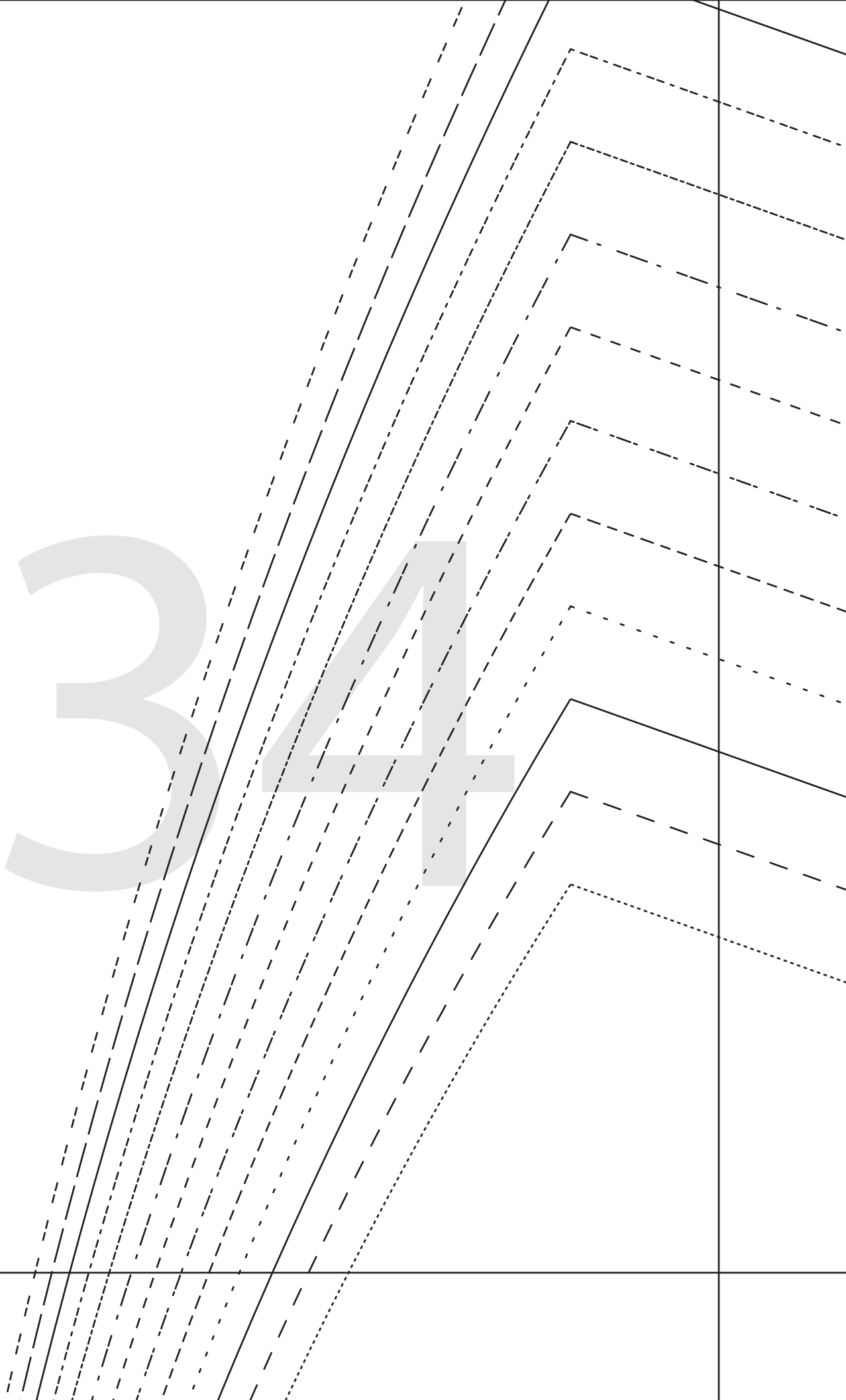
CUT HERE FOR 100 cms (39 1/2") LENGTH HEM ALLOWANCE =



SIZE KEY

- 1
2 - - - - -
3 _____
4
5 - - - - -
6
7 - - - - -
8 - - - - -

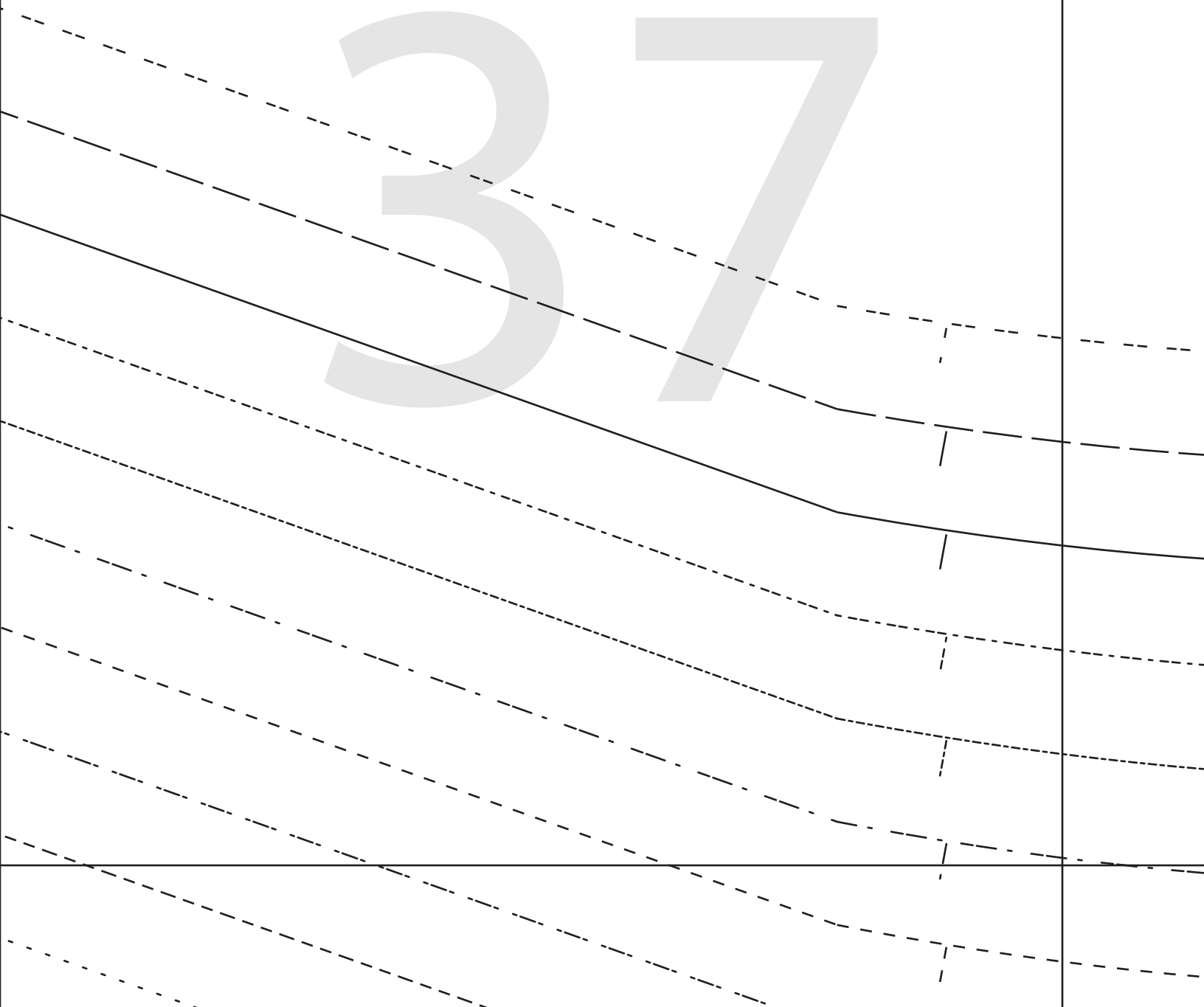
3 4



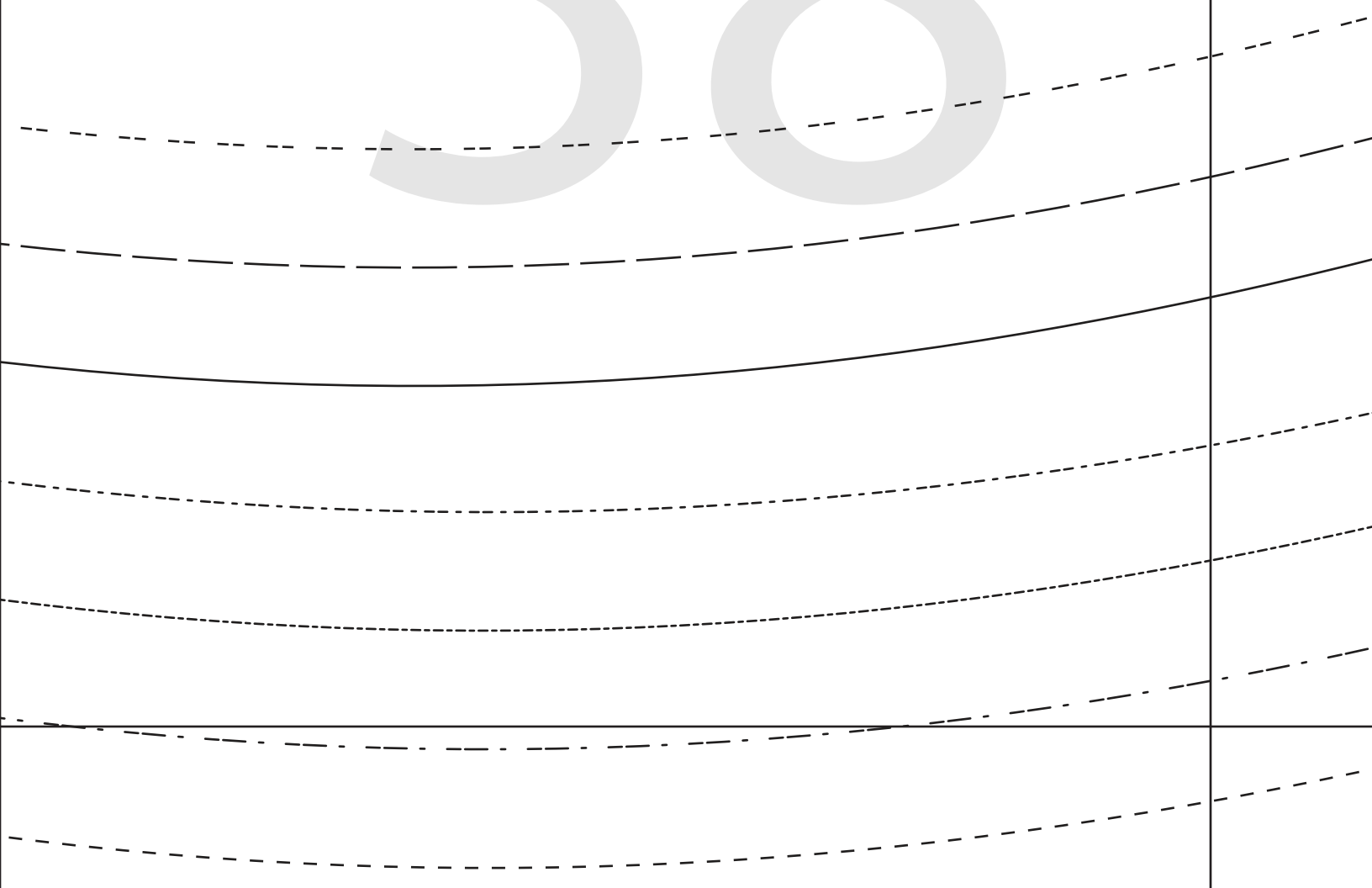
35

36

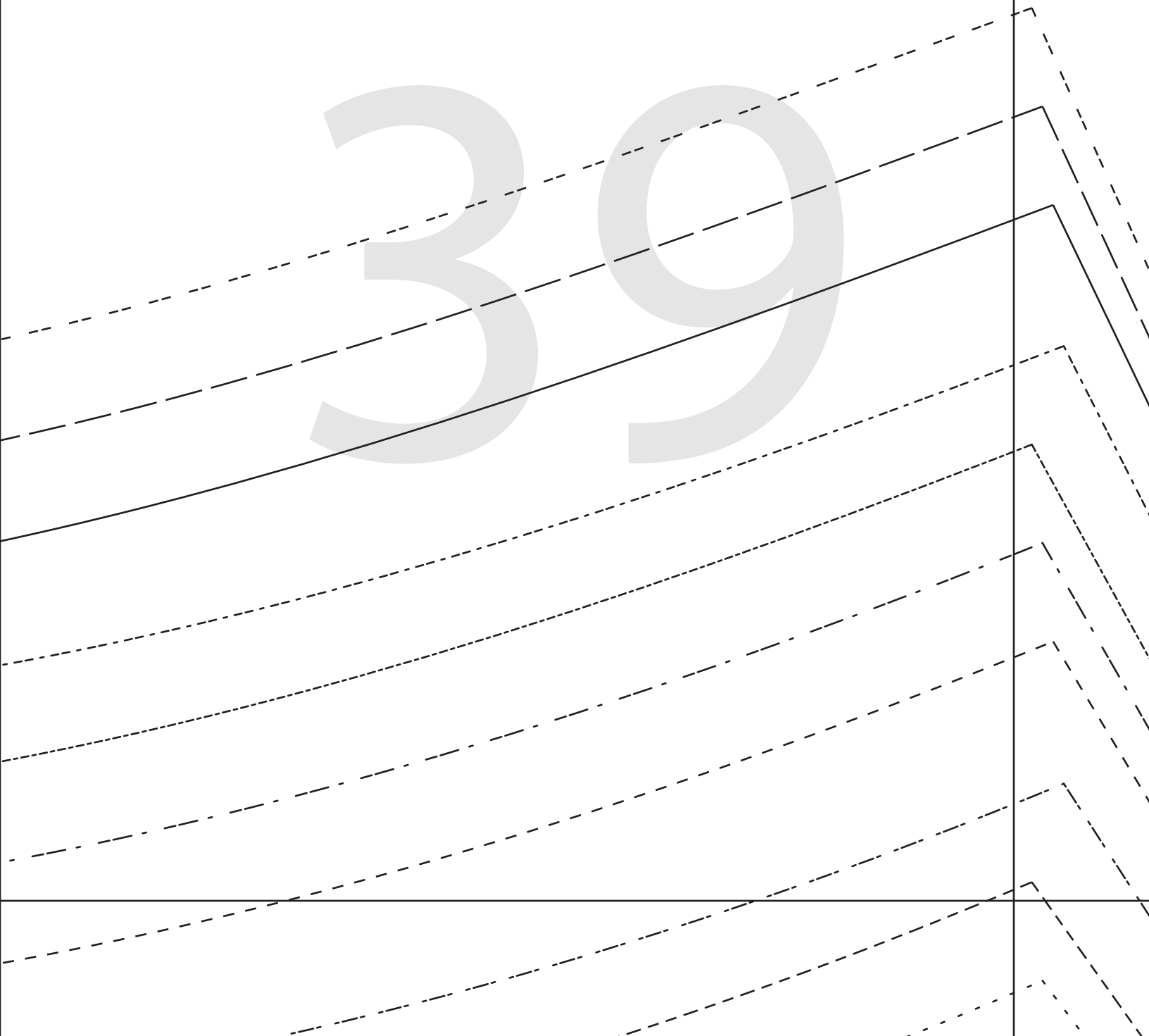
37



38

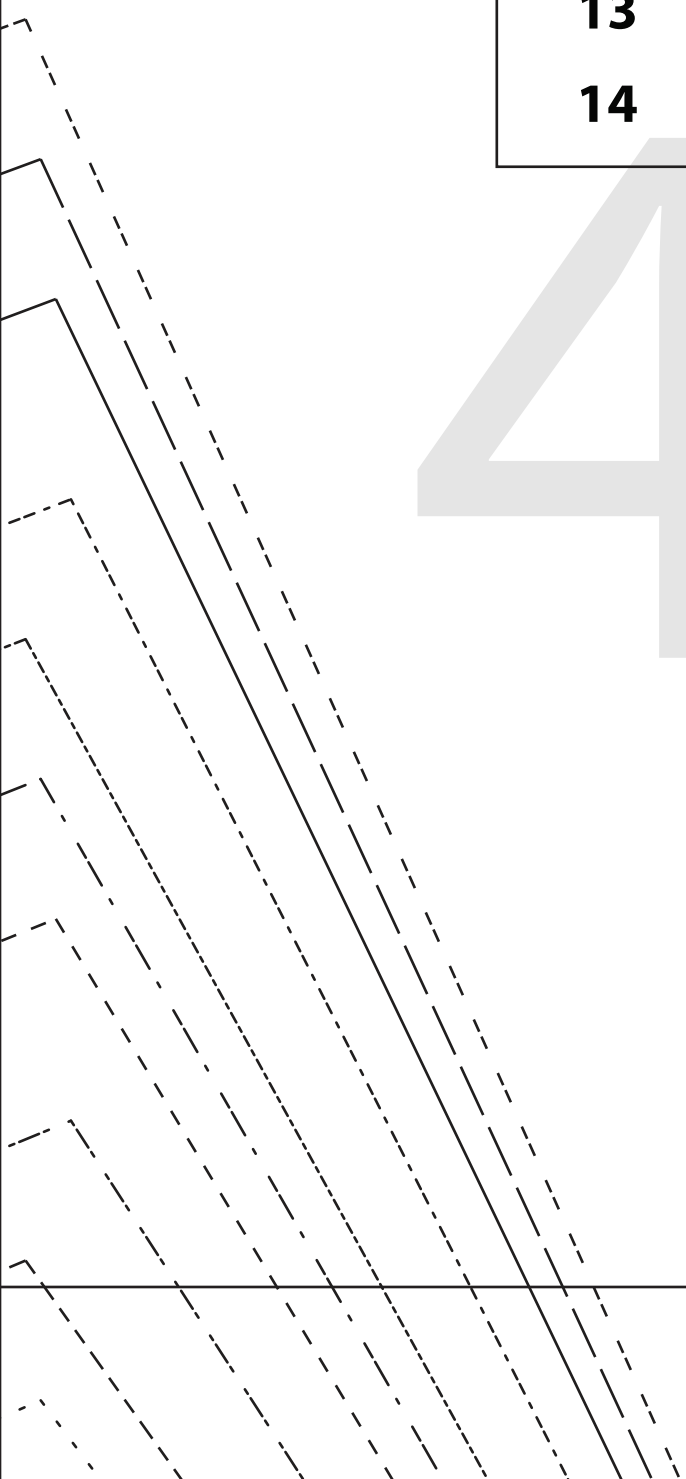


39



- 6 -----
- 7 -----
- 8 -----
- 9 -----
- 10 -----
- 11 _____
- 12 -----
- 13 -----
- 14 -----

40



A series of approximately 15 lines radiating from the bottom-left corner towards the top-right. The lines vary in style: some are solid, some are dashed, and one is dotted. They are all black and have a slight curve.

41

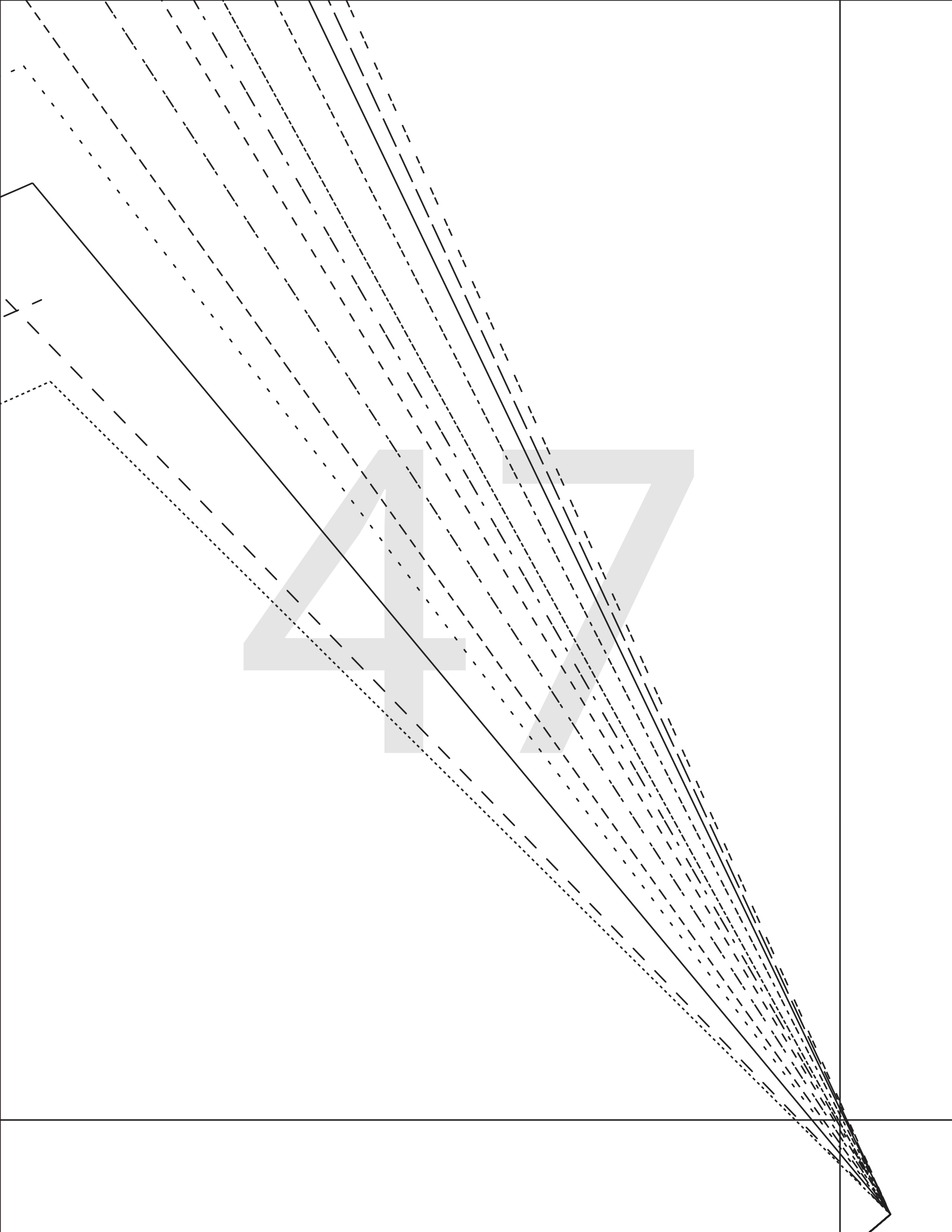
42

43

44

45

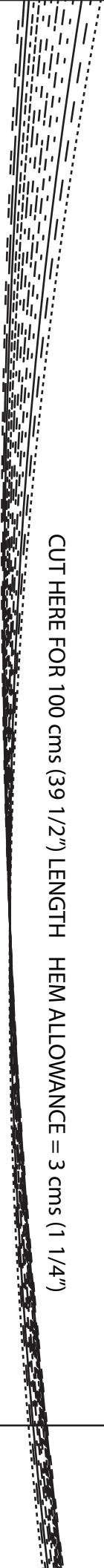
46



48



CUT HERE FOR 100 cms (39 1/2") LENGTH HEM ALLOWANCE = 3 cms (1 1/4")



LENGTHEN/SHORTEN HERE

49

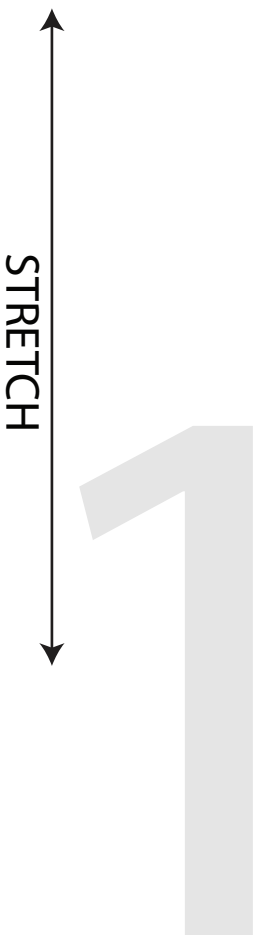
50

4

FRONT SKIRT
FULL LENGTH

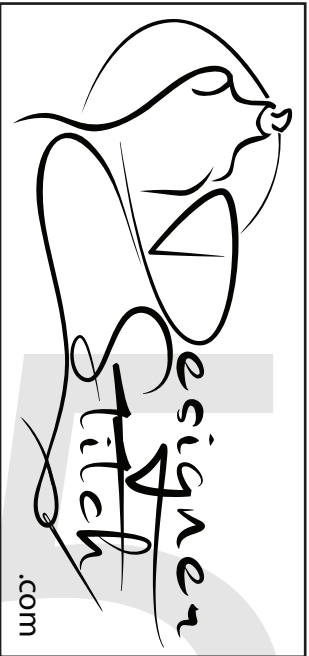
CUT 1 RIGHT SIDE UP

(6 mms (1/4") seam allowance
unless otherwise stated)



CUT TO HERE

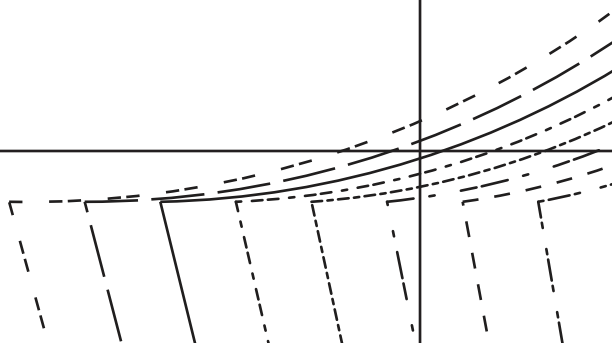


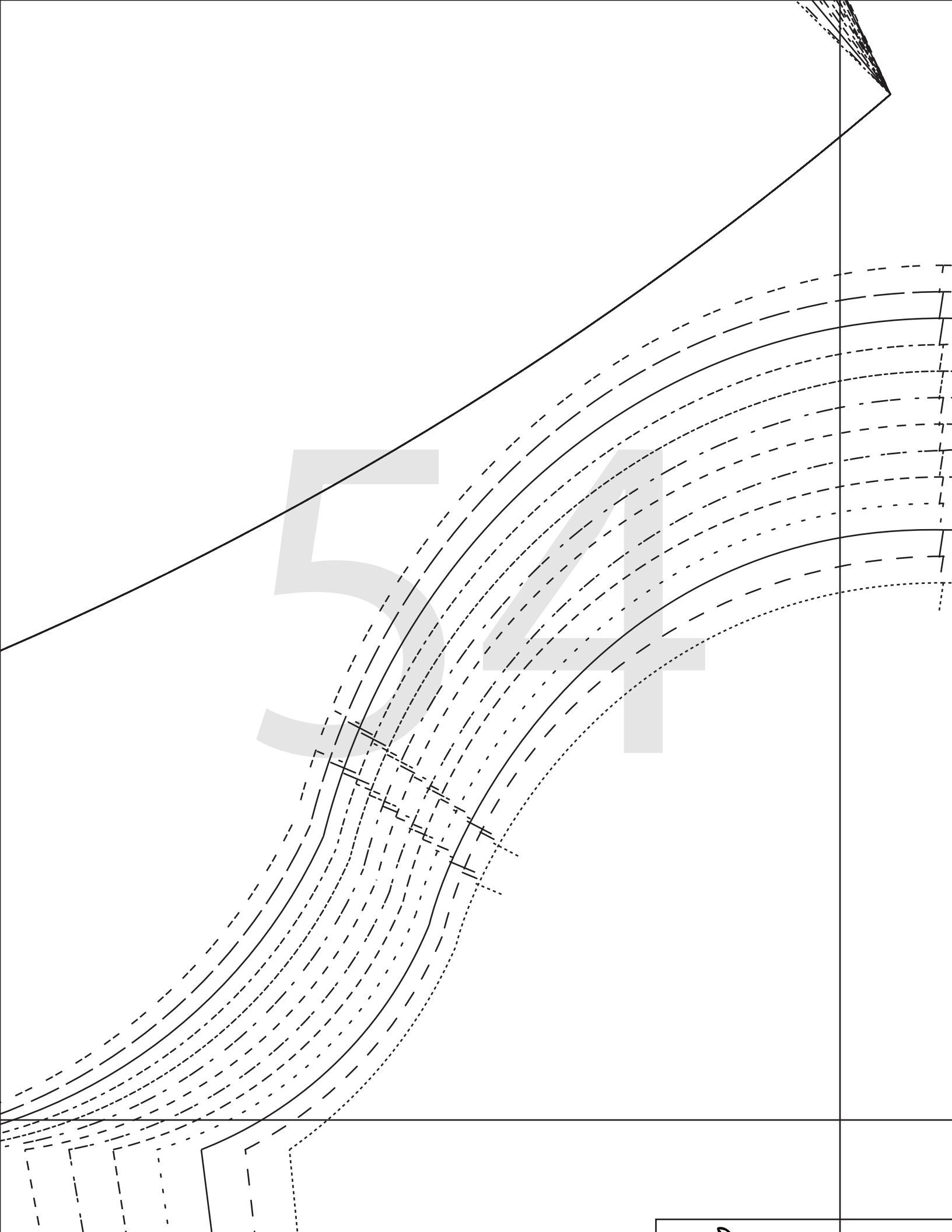


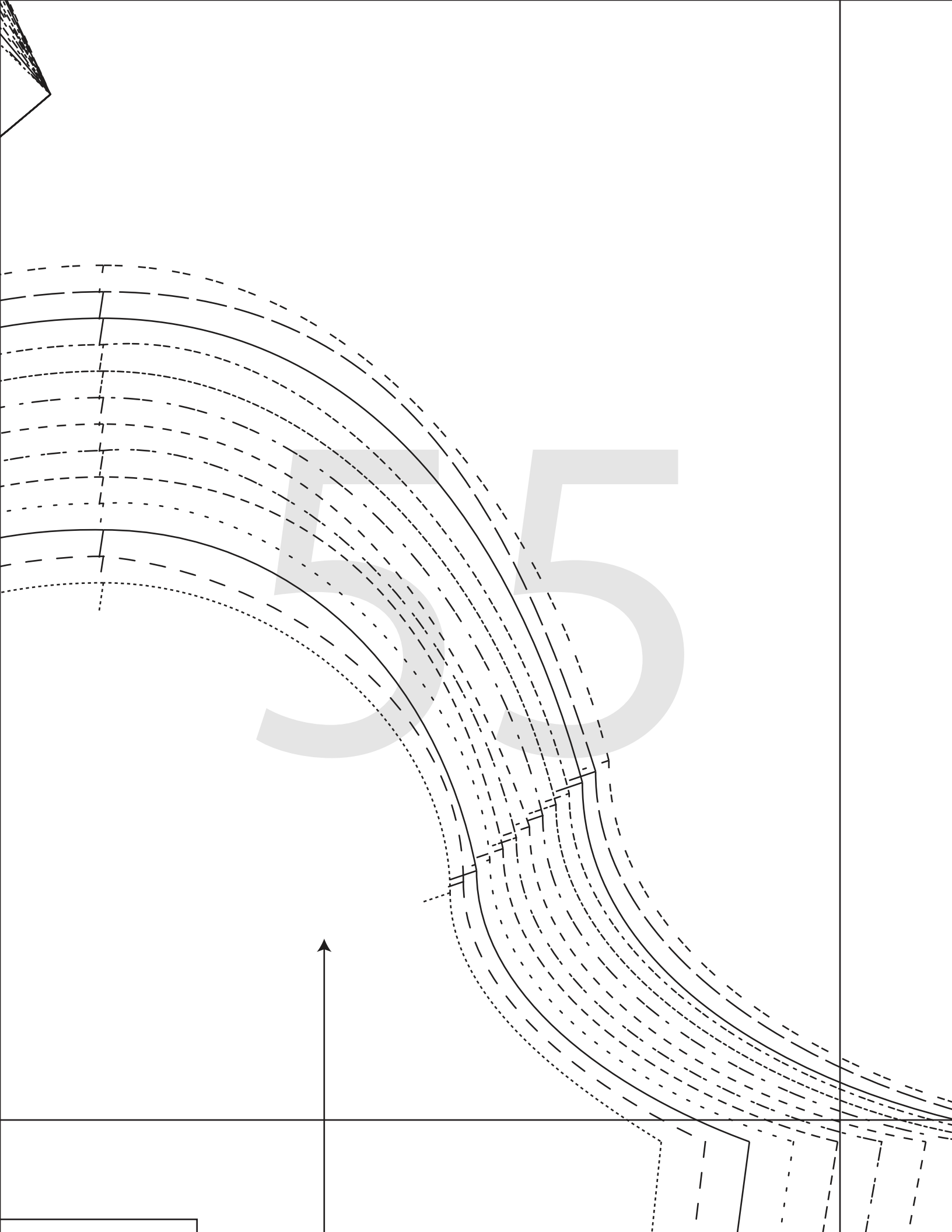
GRETA DRESS
#1022

4

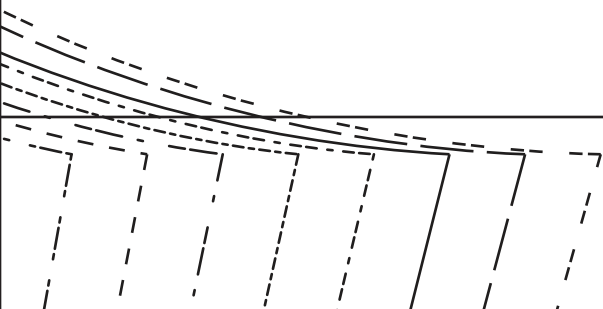
53







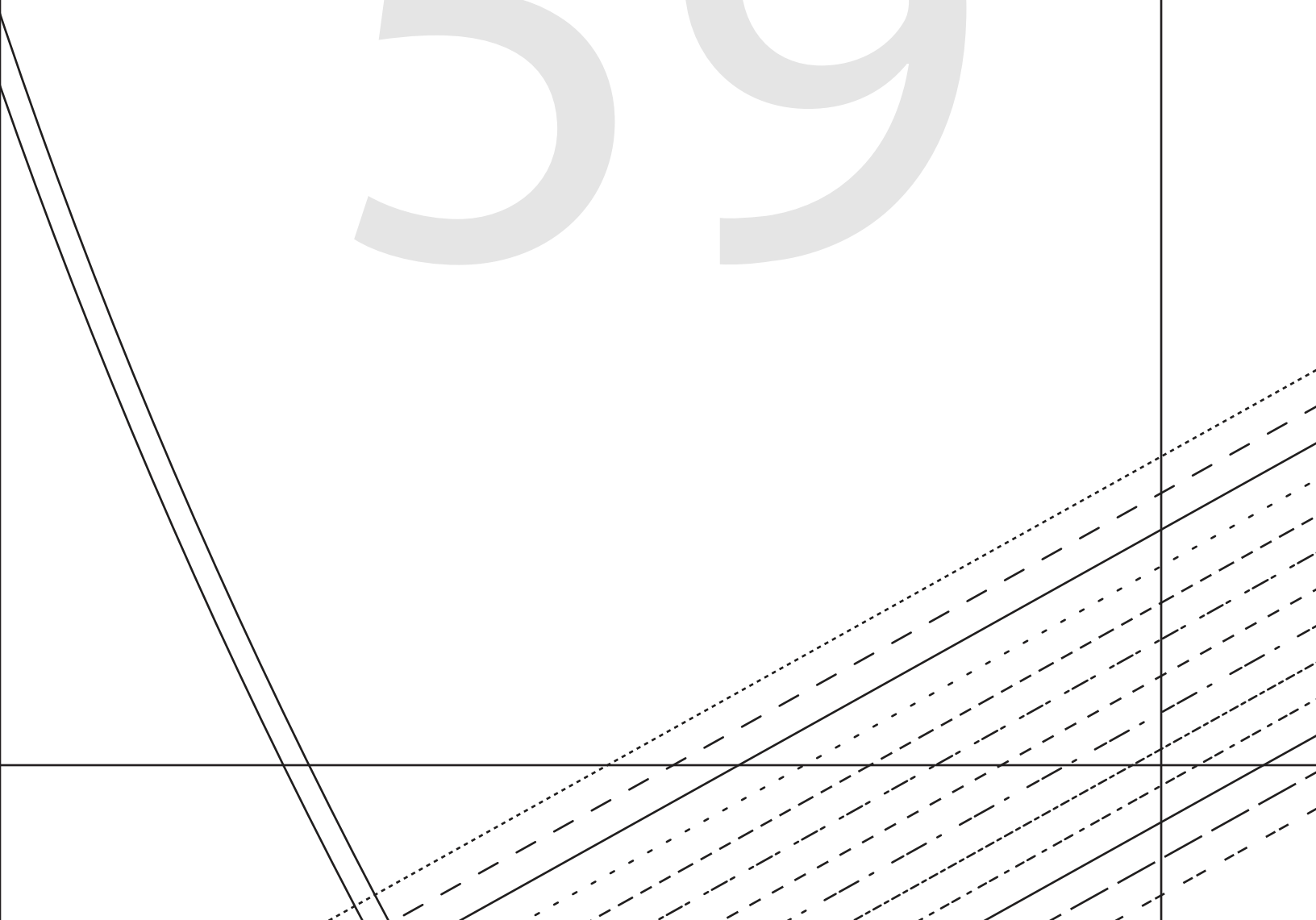
56



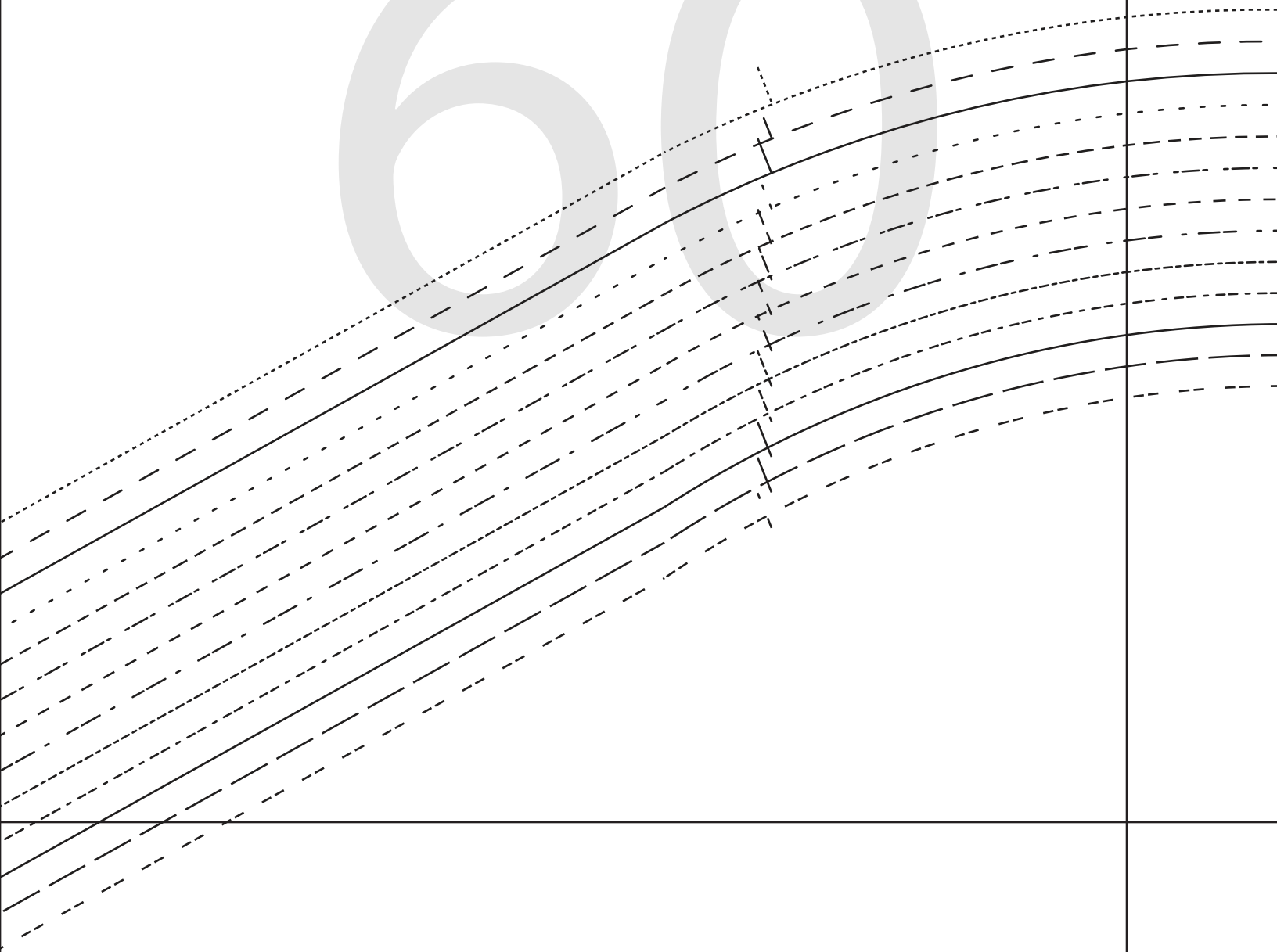
57

58

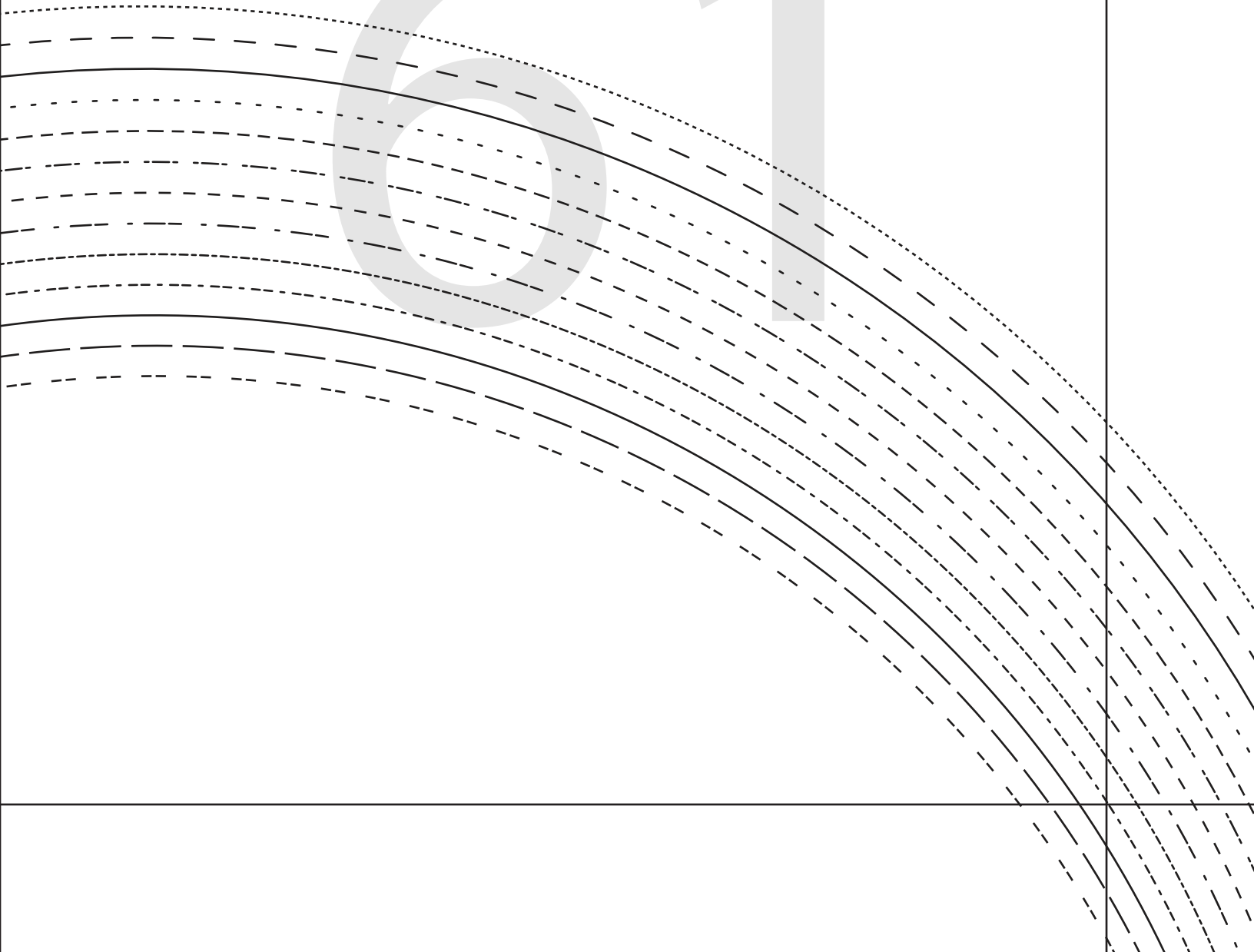
59



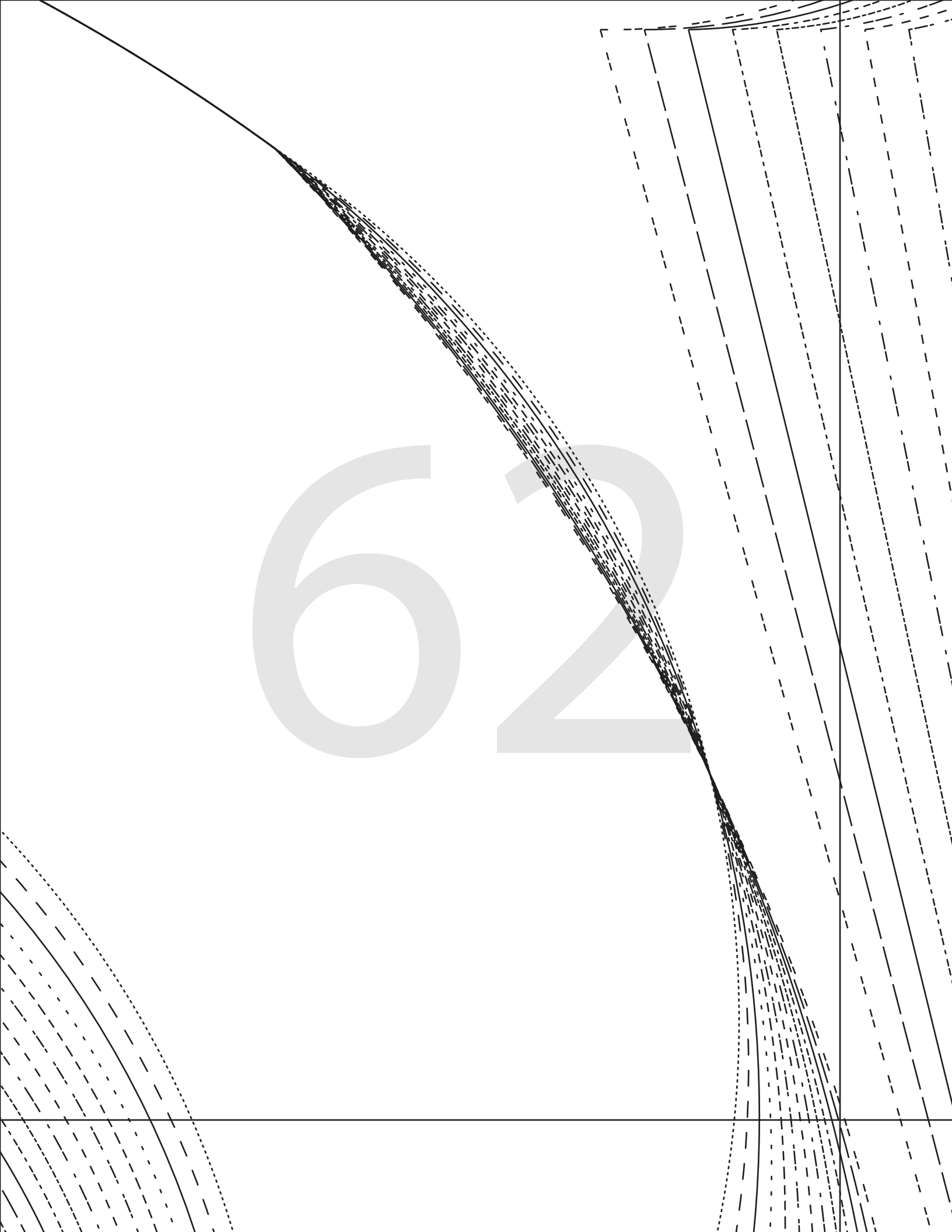
60

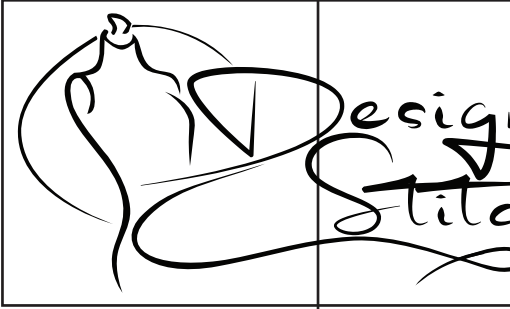


61



62





GRETA DRESS

#1022

6

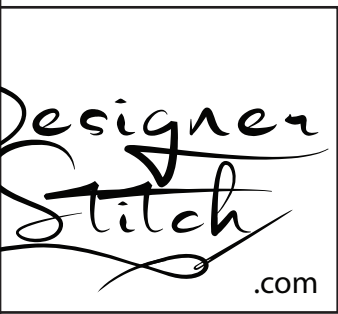
SLEEVE

CUT 2

(6 mms (1/4") seam allowance
unless otherwise stated)

63

← STRETCH



RESS

2

VE

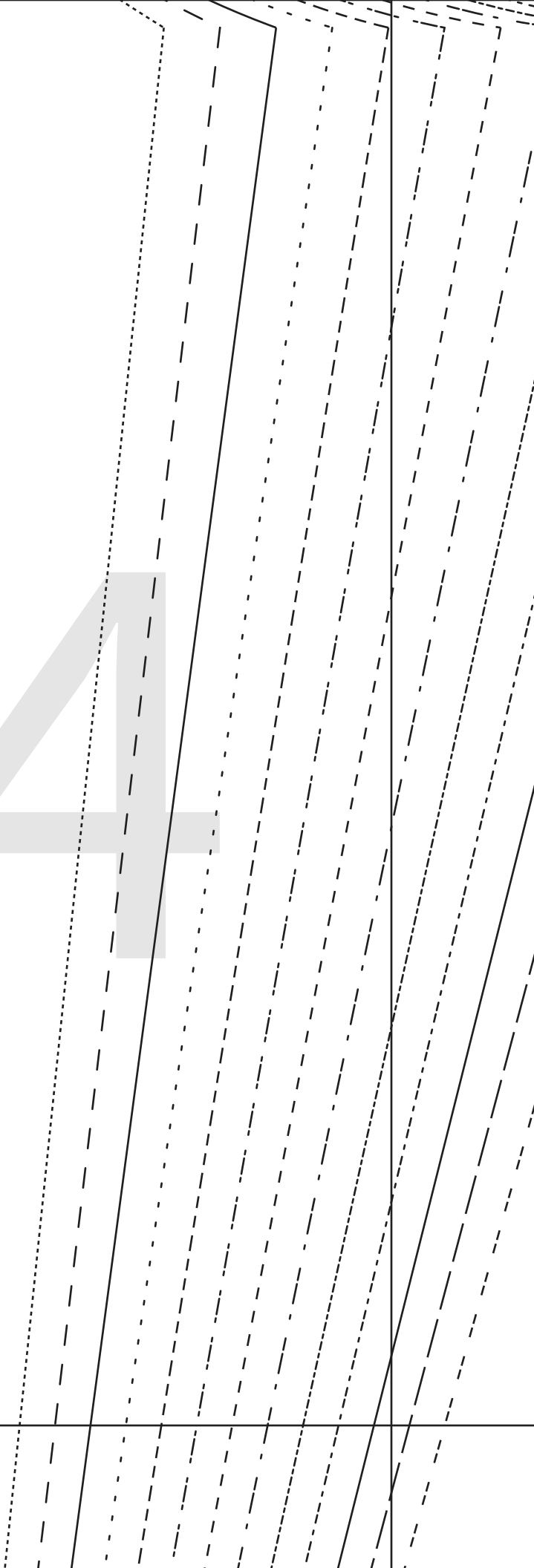
2

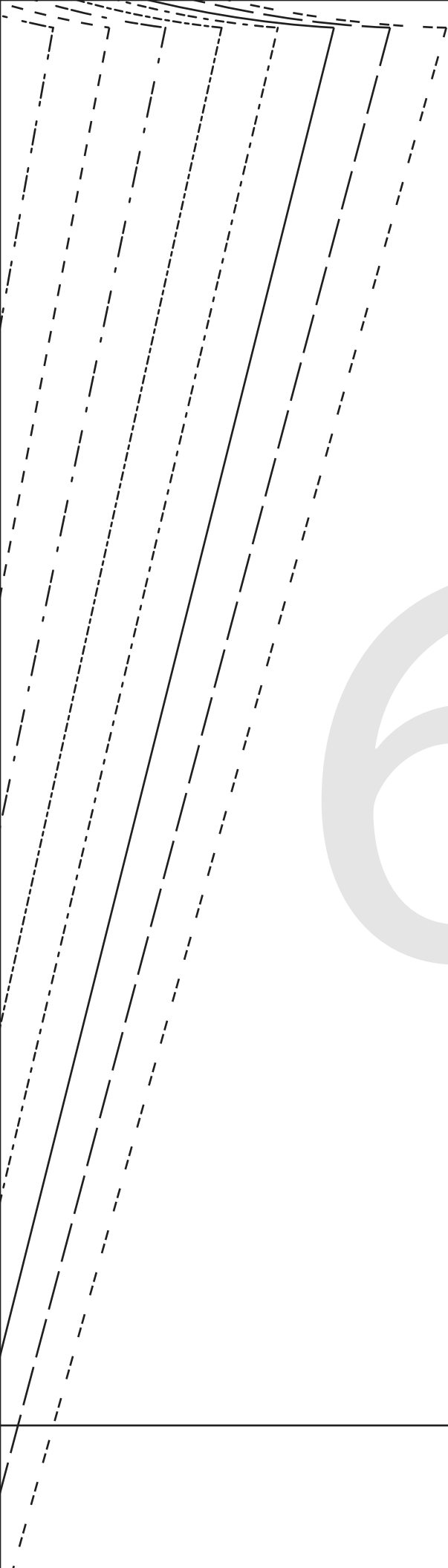
eam allowance
(wise stated)

CH



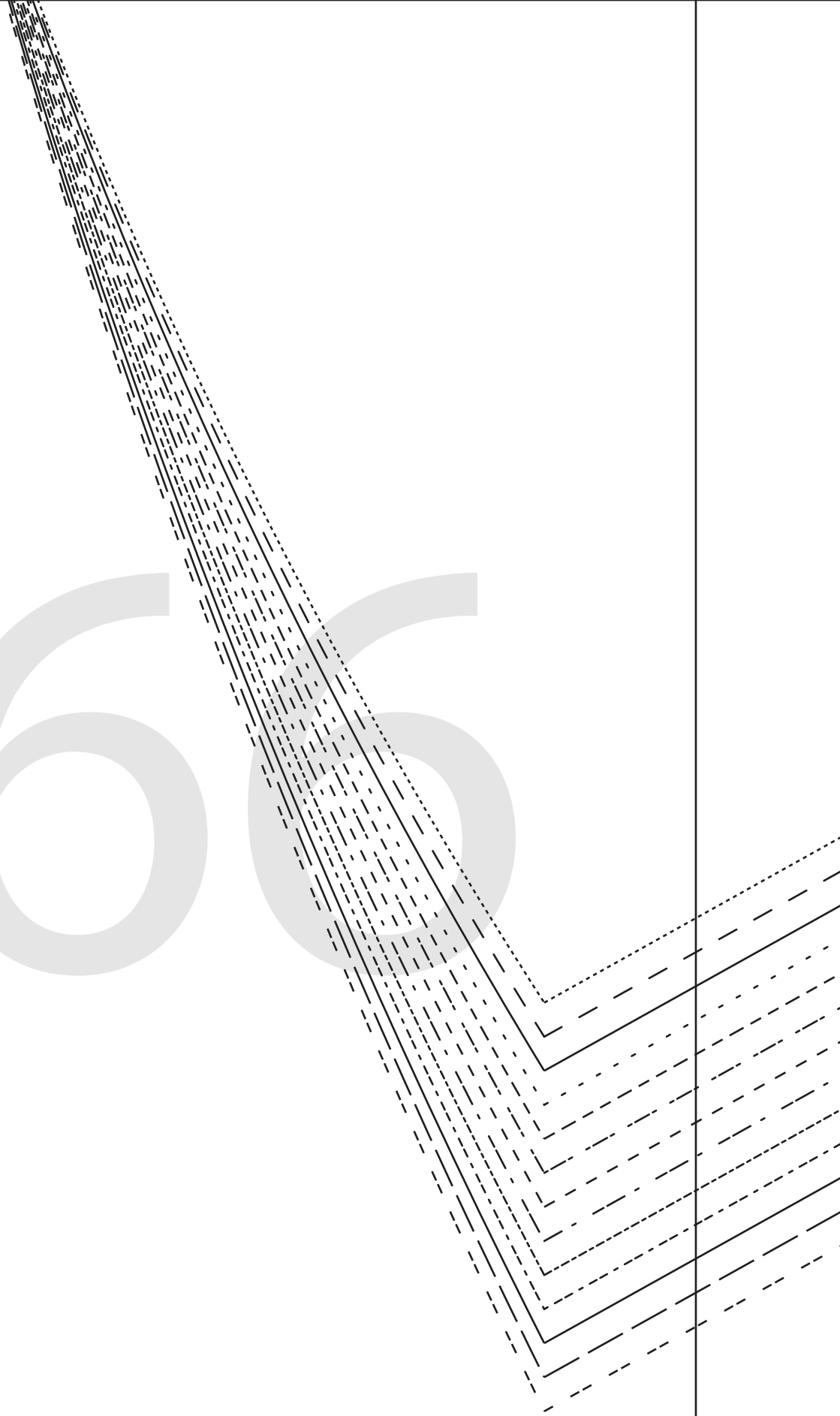
64

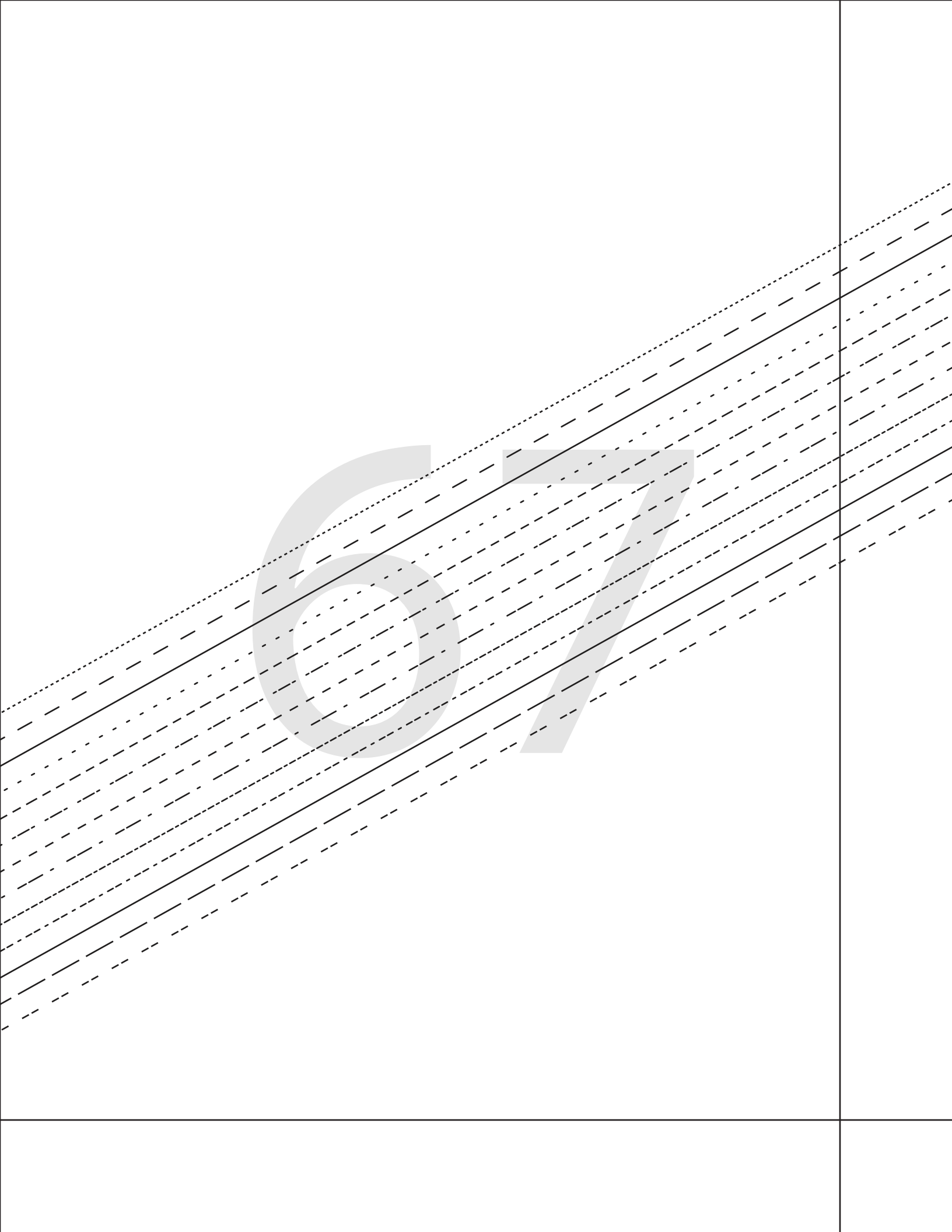


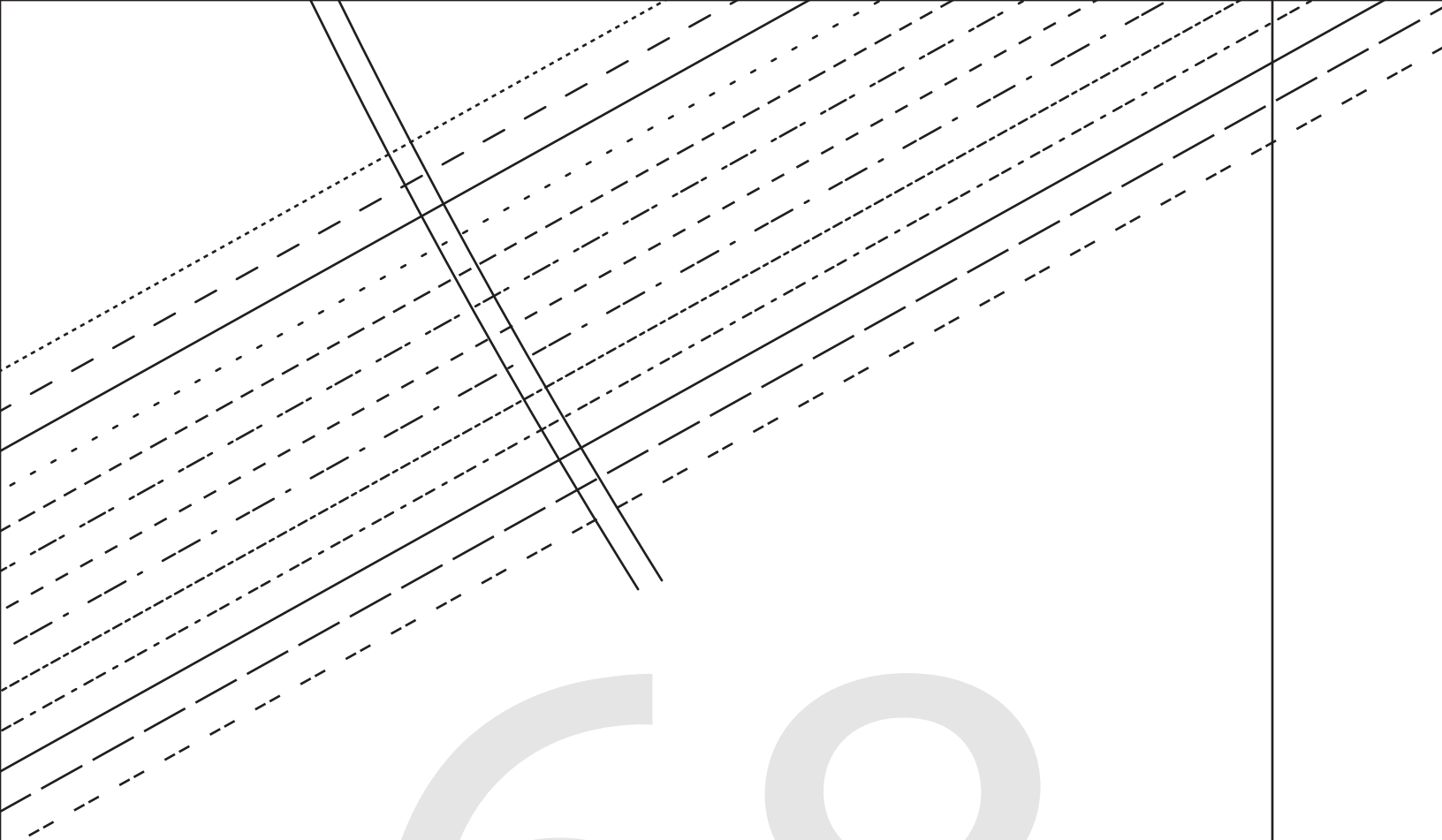


65

66



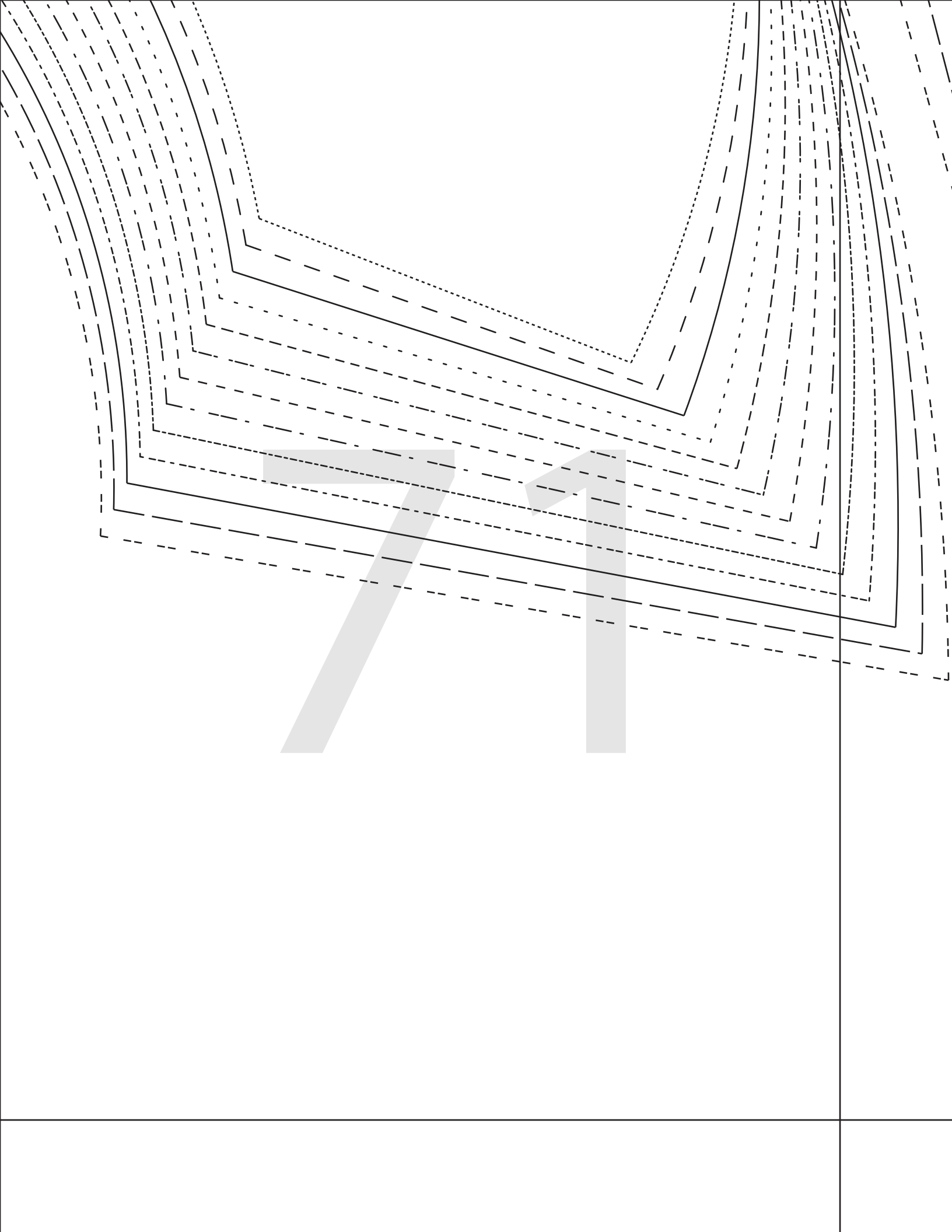


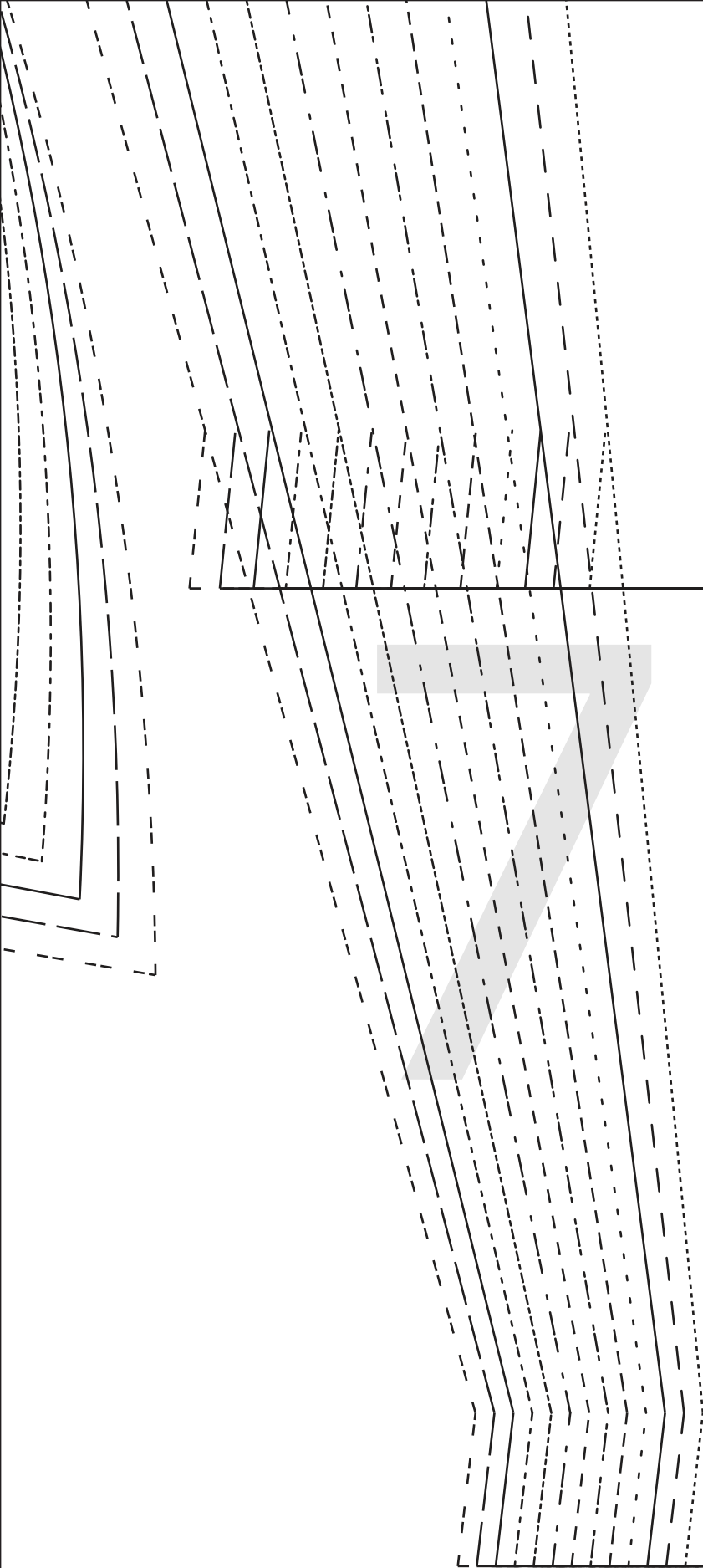


68

69

70



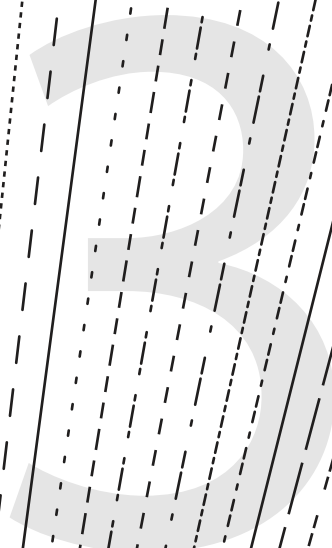
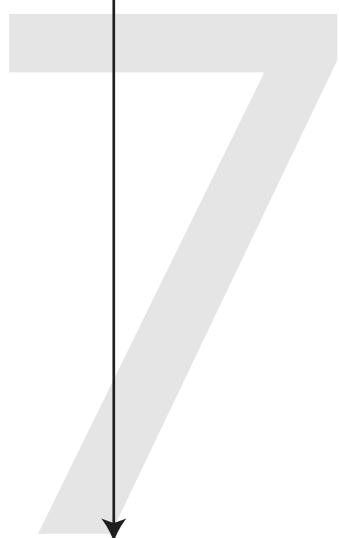


CUT HERE 3/4's SLEEVE LENGTH. HEM ALLOWANCE 2.5

2

CUT HERE FULL SLEEVE LENGTH. HEM ALLOWANCE 2.5 cm

MARGIN 2.5 cms (1")



MARGIN 2.5 cms (1")

