

6 mm (1/4") SEAM ALLOWANCE

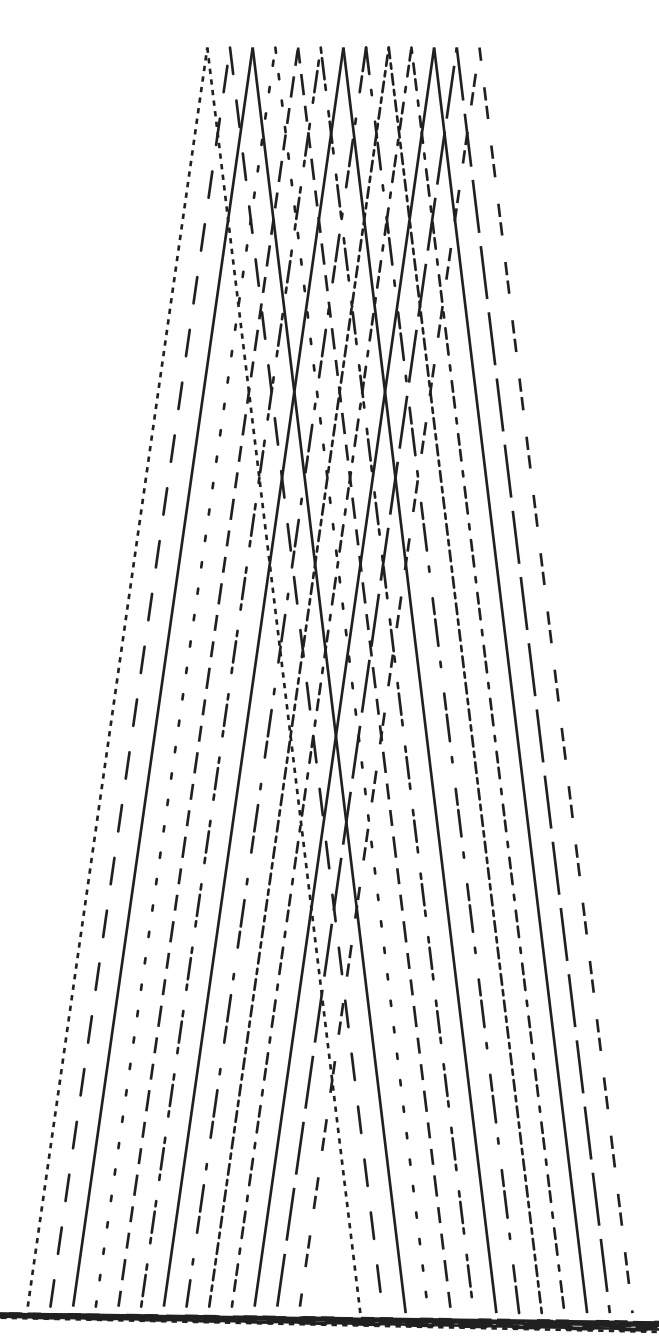


YASMIN WRAP DRESS #0723

1

BACK CUT 2

(1.5 cms (5/8") seam allowance unless otherwise stated)



1 cms (3/8") SEAM ALLOWANCE

1 cms (3/8") SEAM ALLOWANCE

1 cms (3/8") SEAM ALLOWANCE

HIPLINE



YASMIN WRAP DRESS #0723

3

BACK SKIRT CUT 1 FOLD

(1.5 cms (5/8") seam allowance unless otherwise stated)

CUT HERE FOR 55 cms (21 3/4")

CUT HERE FOR 60 cms (23 1/2")

(1.5 cms (5/8") seam allowance unless otherwise stated)

FRONT - CUP CUT 2

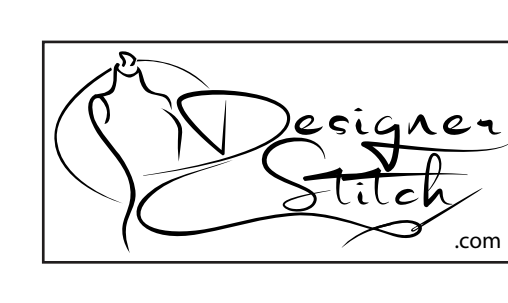
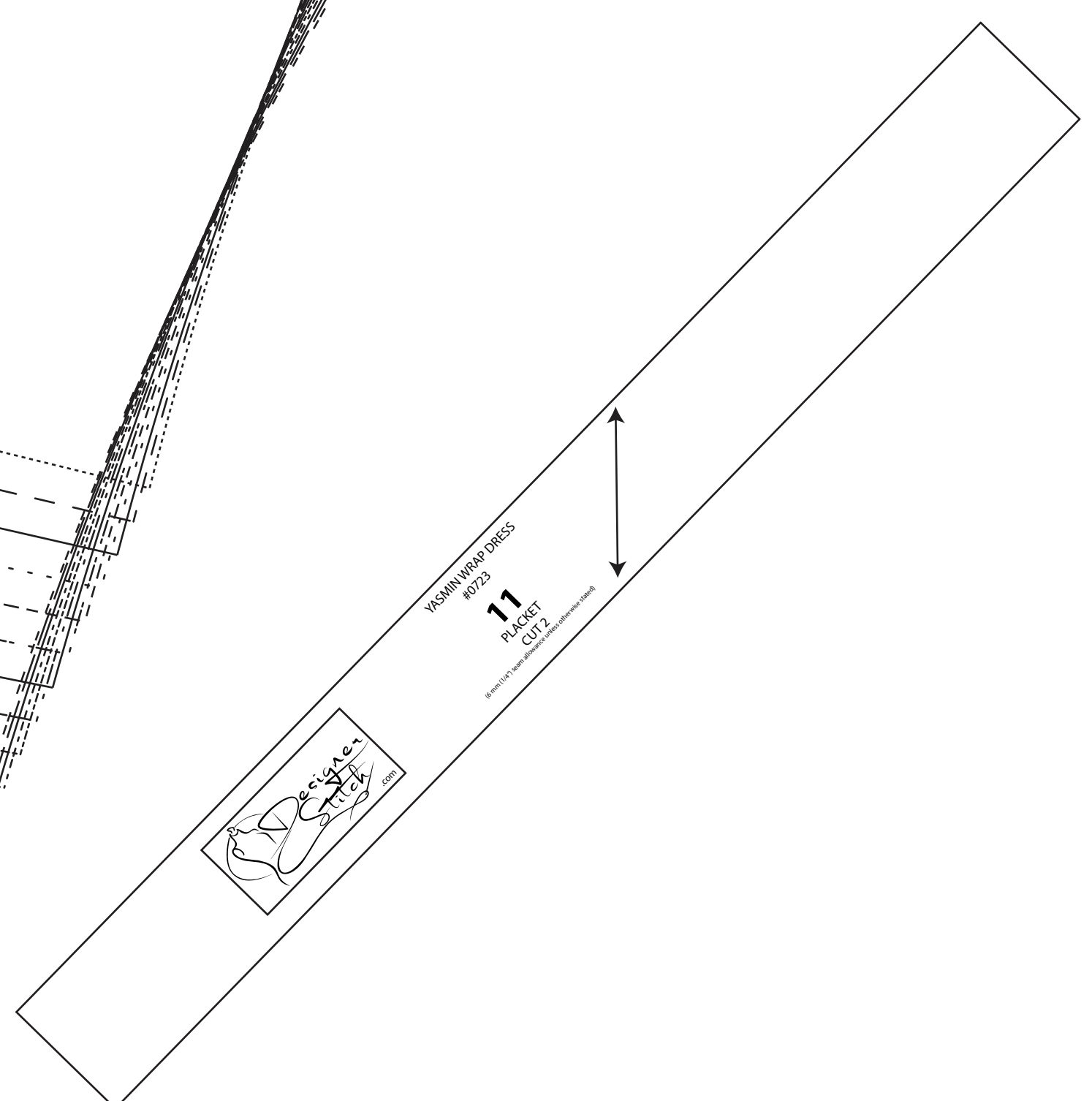
2

YASMIN WRAP DRESS #0723



6 mm (1/4") SEAM ALLOWANCE

1 cms (3/8") SEAM ALLOWANCE

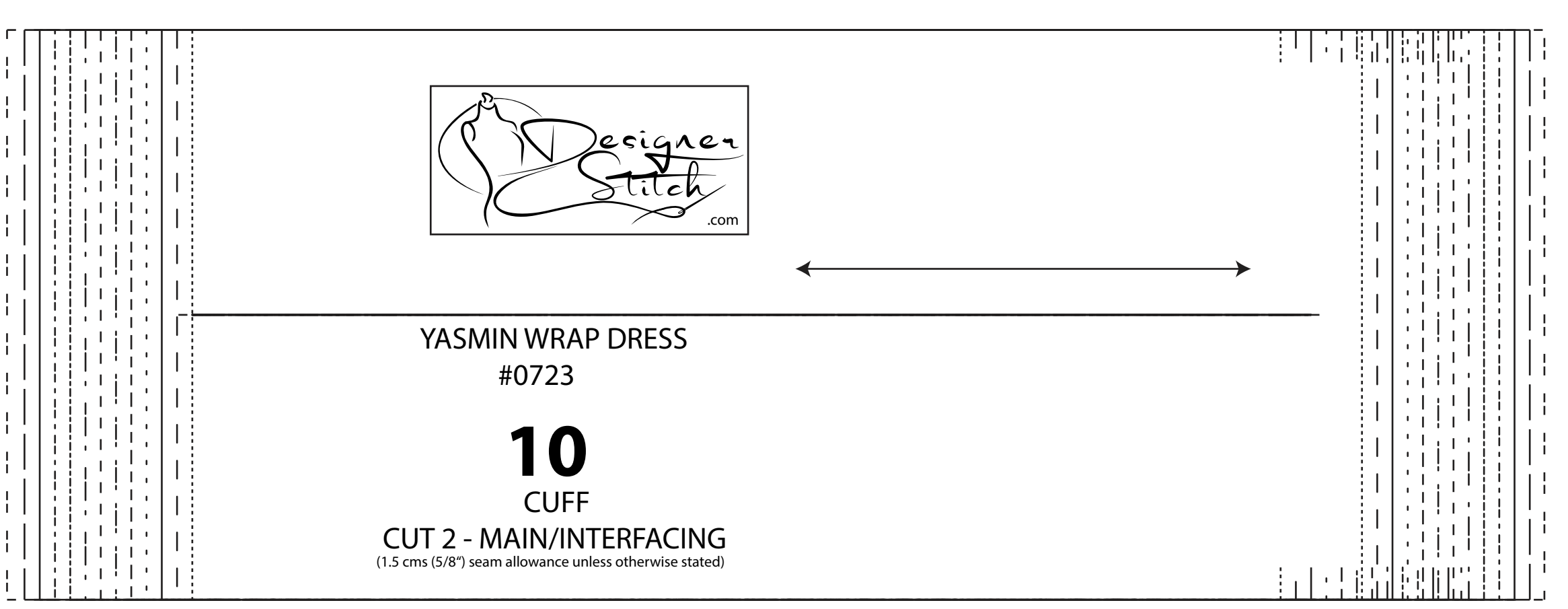


YASMIN WRAP DRESS #0723

10

CUFF CUT 2 - MAIN/INTERFACING

(1.5 cms (5/8") seam allowance unless otherwise stated)



1 cms (3/8") SEAM ALLOWANCE

1 cms (3/8") SEAM ALLOWANCE



YASMINE WRAP DRESS

#0723

C Cup

5cms square

2 inch square



YASMIN WRAP DRESS #0723

12

SHIRRED SLEEVE

CUT 2

(1.5 cms (5/8") seam allowance unless otherwise stated)

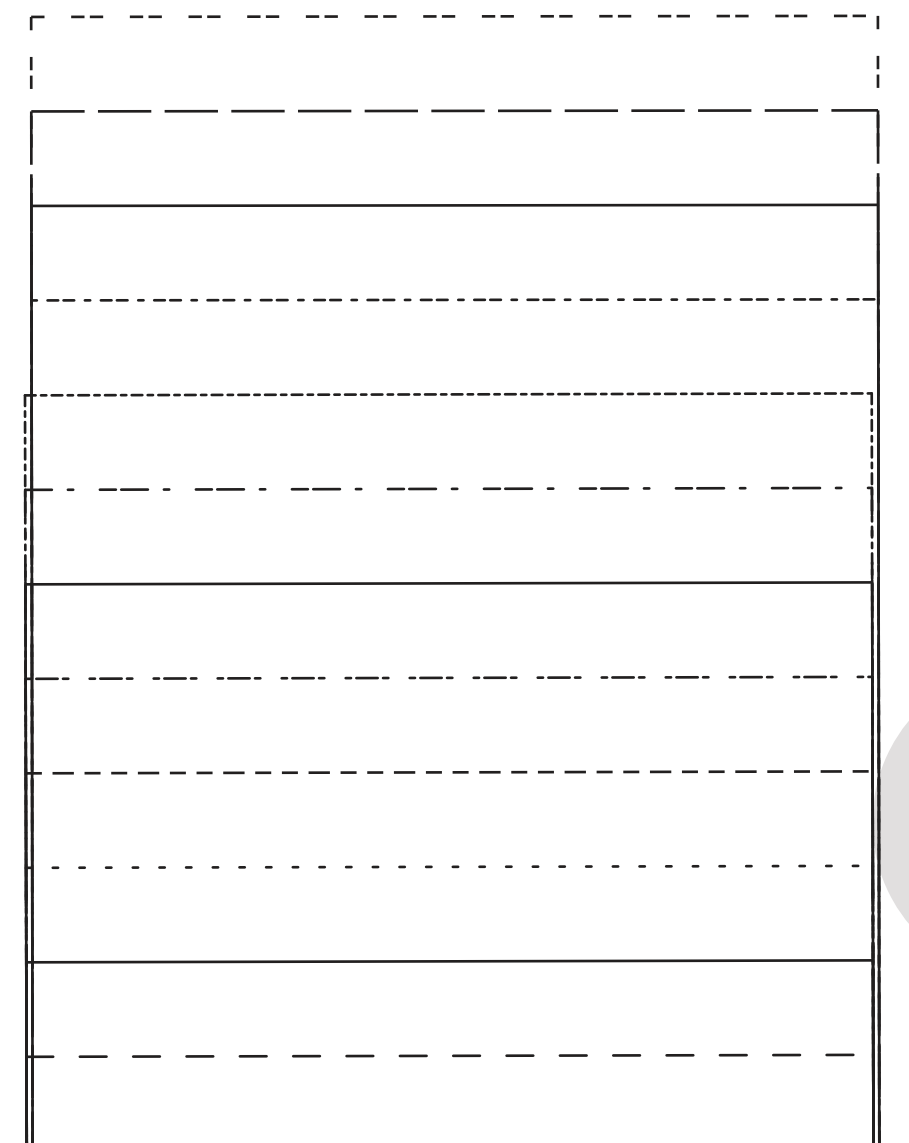
CUT HERE ABOVE ELBOW SLEEVE 2 cms (3/4") SEAM ALLOWANCE

SIZE KEY

- 1 (dotted line)
- 2 - - - - - (dashed line)
- 3 _____ (solid line)
- 4 (dotted line)
- 5 - - - - - (dashed line)
- 6 _____ (solid line)
- 7 (dotted line)
- 8 - - - - - (dashed line)
- 9 _____ (solid line)
- 10 (dotted line)
- 11 - - - - - (dashed line)
- 12 _____ (solid line)
- 13 (dotted line)

2

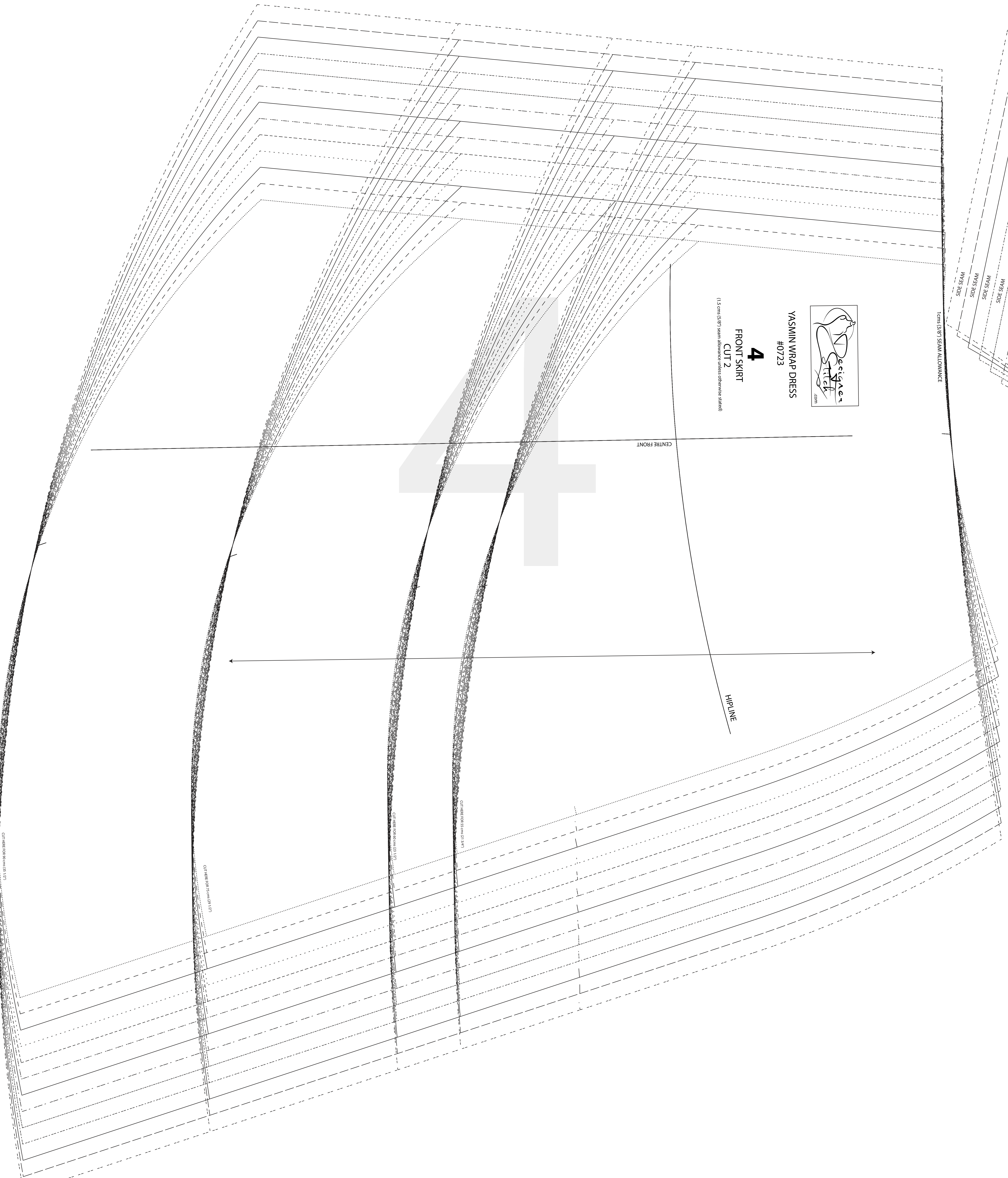
CUT HERE LONG SLEEVE 2 cms (3/4") SEAM ALLOWANCE





CUT HERE FOR 75 cms (29 1/2")

CUT HERE FOR 90 cms (35 1/2")



SIDE SEAM
SIDE SEAM
SIDE SEAM
SIDE SEAM

1cm (3/8") SEAM ALLOWANCE



YASMIN WRAP DRESS
#0723

4
FRONT SKIRT
CUT 2

(1.5 cms (5/8") seam allowance unless otherwise stated)

CENTRE FRONT

HIPLINE

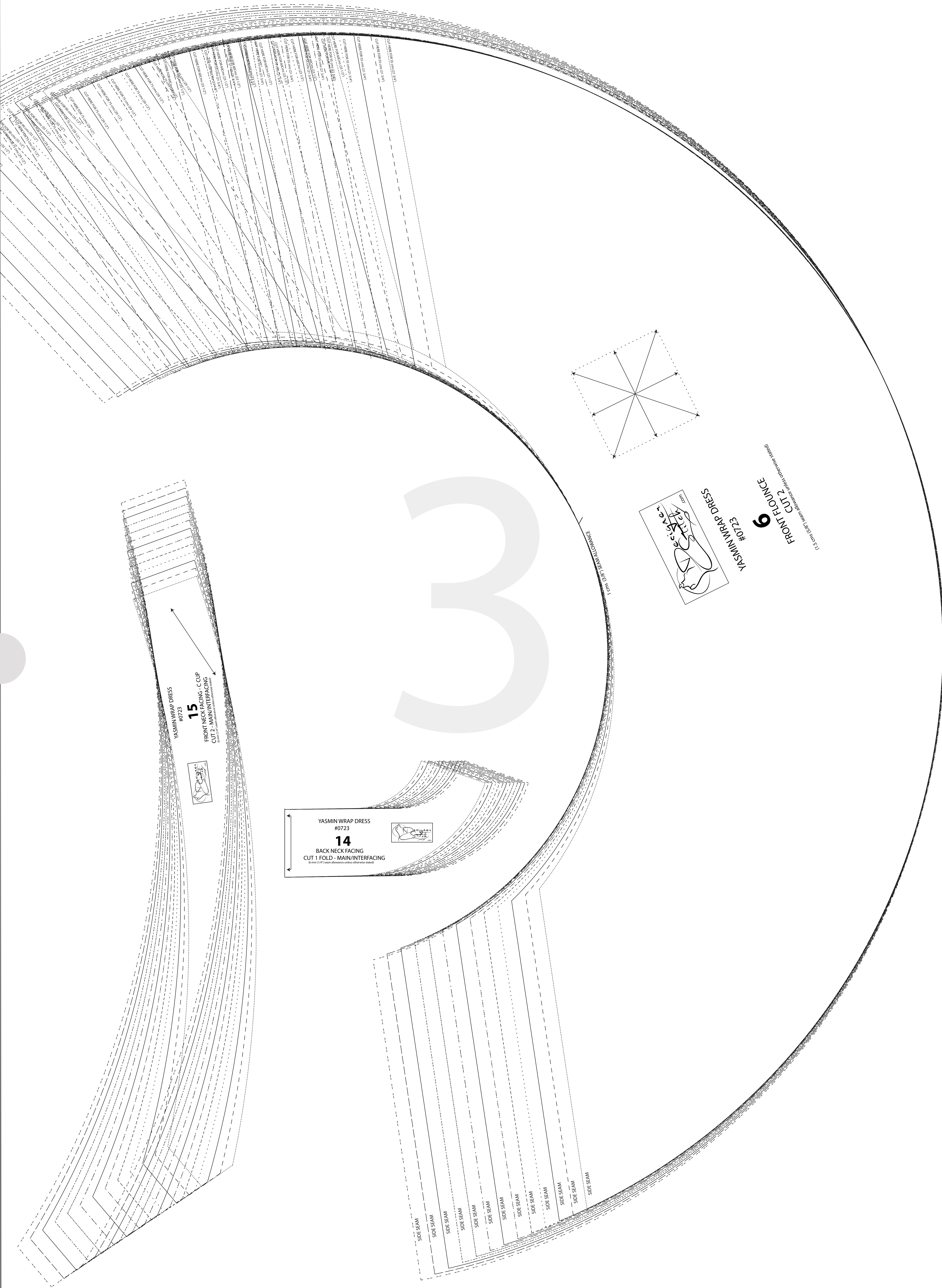
4

CUT HERE FOR 90 cms (35 1/2")

CUT HERE FOR 90 cms (35 1/2")

CUT HERE FOR 90 cms (35 1/2")

CUT HERE FOR 90 cms (35 1/2")



YASMIN WRAP DRESS
#0723
15
FRONT NECK FACING - C CUP
CUT 1 MAIN/INTERFACING



YASMIN WRAP DRESS
#0723
14
BACK NECK FACING
CUT 1 FOLD - MAIN/INTERFACING



YASMIN WRAP DRESS
#0723



6
FRONT FOUNCE
CUT 2

SIDE SEAM
SIDE SEAM
SIDE SEAM
SIDE SEAM
SIDE SEAM
SIDE SEAM
SIDE SEAM
SIDE SEAM
SIDE SEAM
SIDE SEAM
SIDE SEAM
SIDE SEAM

1.5 cm (5/8") Seam Allowance

1.5 cm (5/8") Seam Allowance
Please refer to the pattern envelope for details.