

PRINT TILING TEMPLATE GUIDE FOR SIZE SPECIFIC CHOICE
TRIMLESS PRINT AT HOME PATTERN

1 cms (3/8") SEAM ALLOWANCE



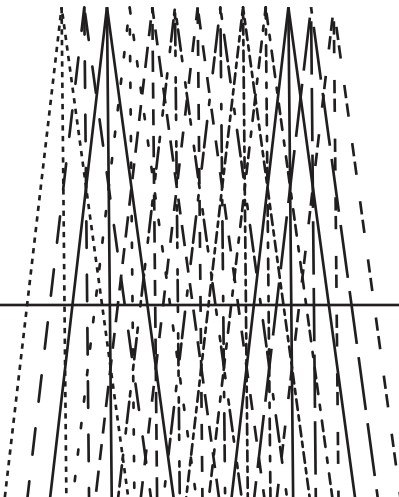
TALI TWIST BLOUSE
#0823

1

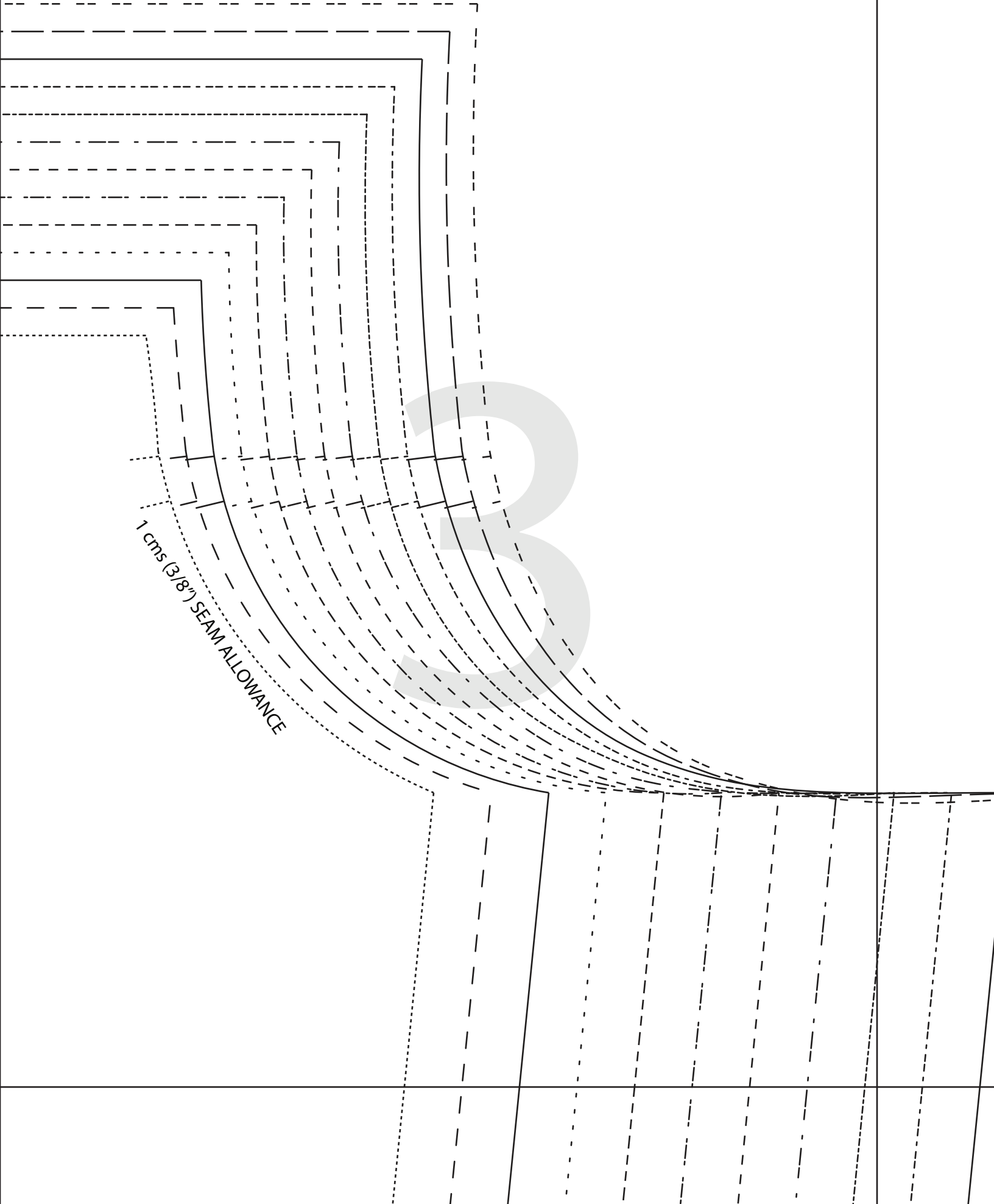
BACK

CUT 1 FOLD

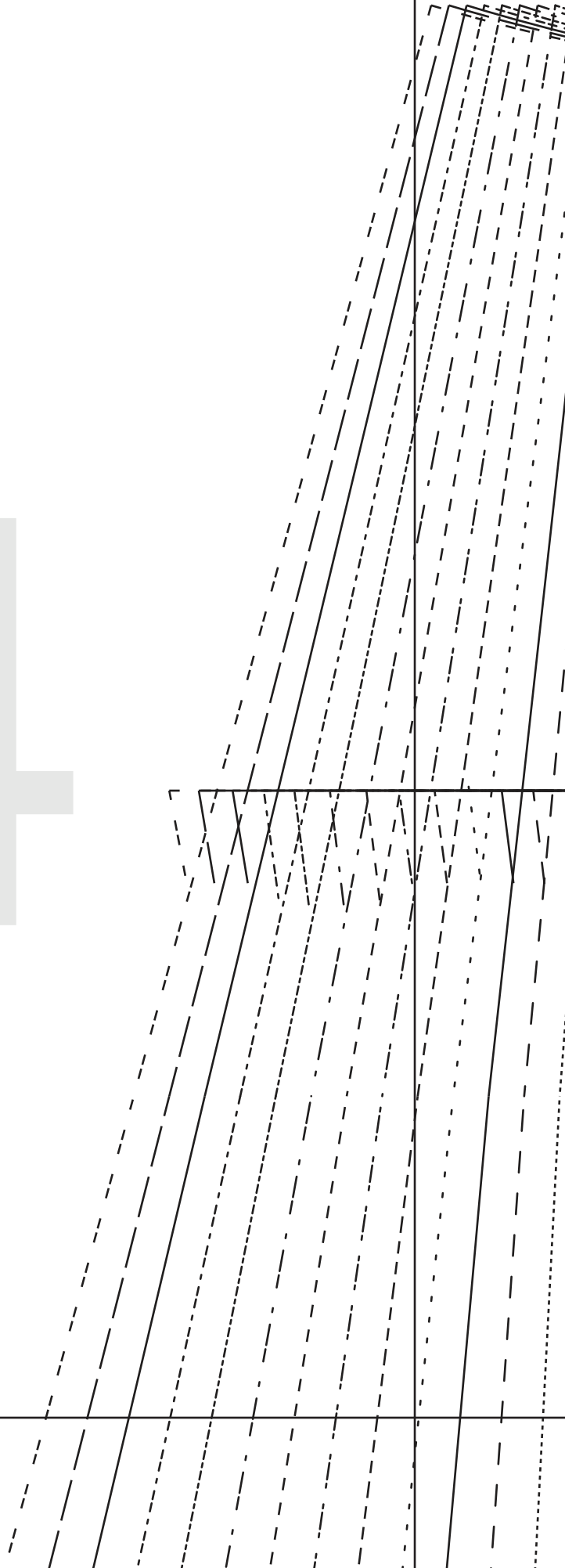
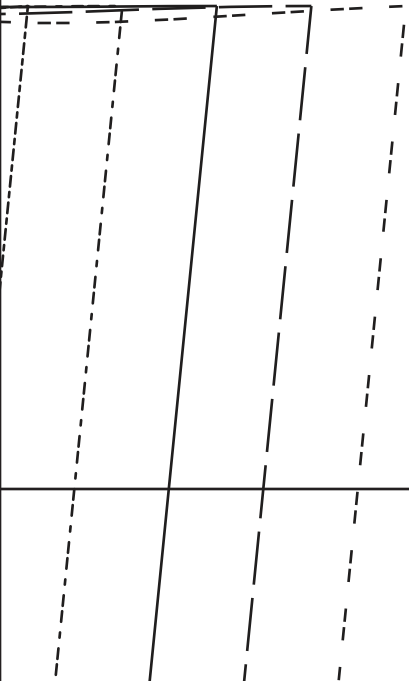
(1.5 cms (5/8") seam allowance unless otherwise stated)

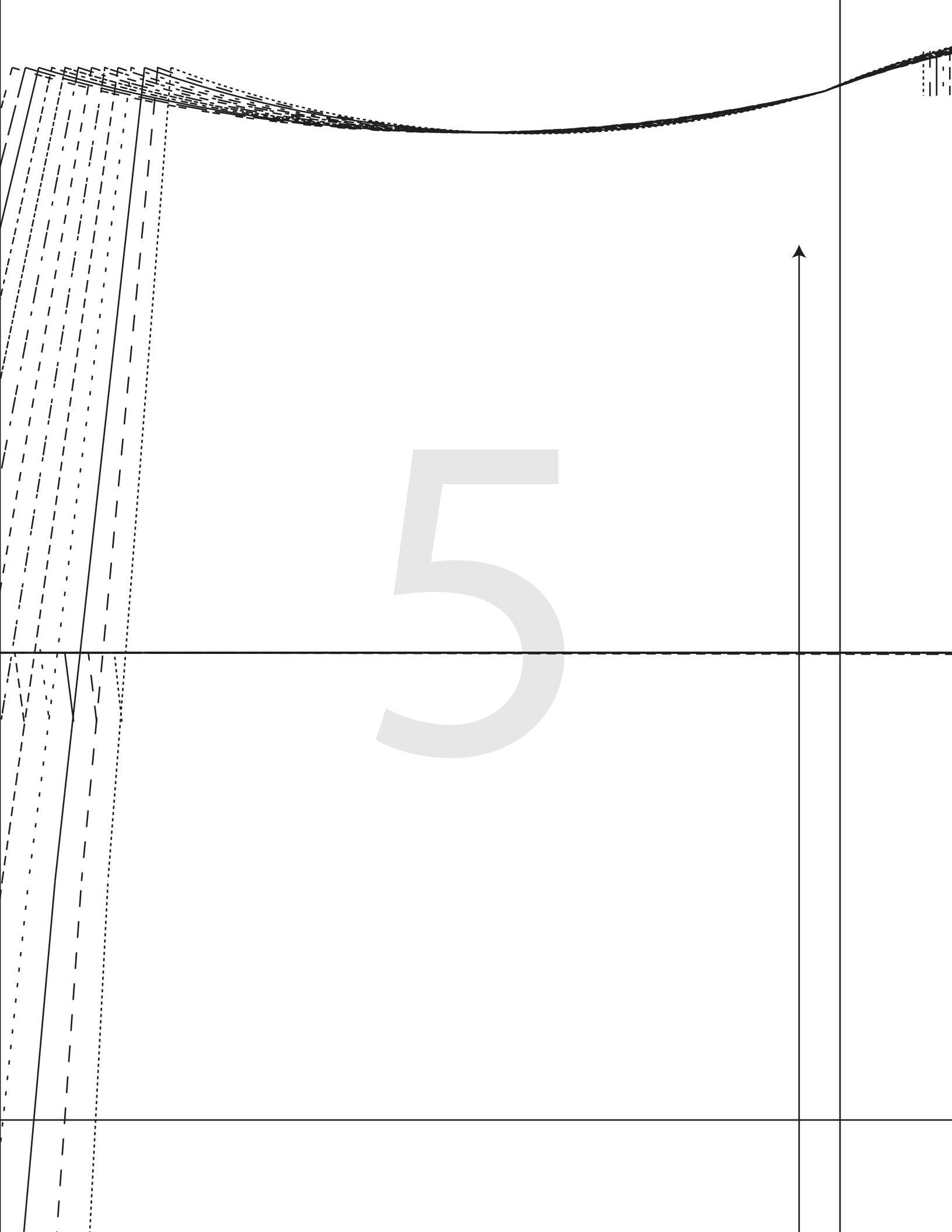


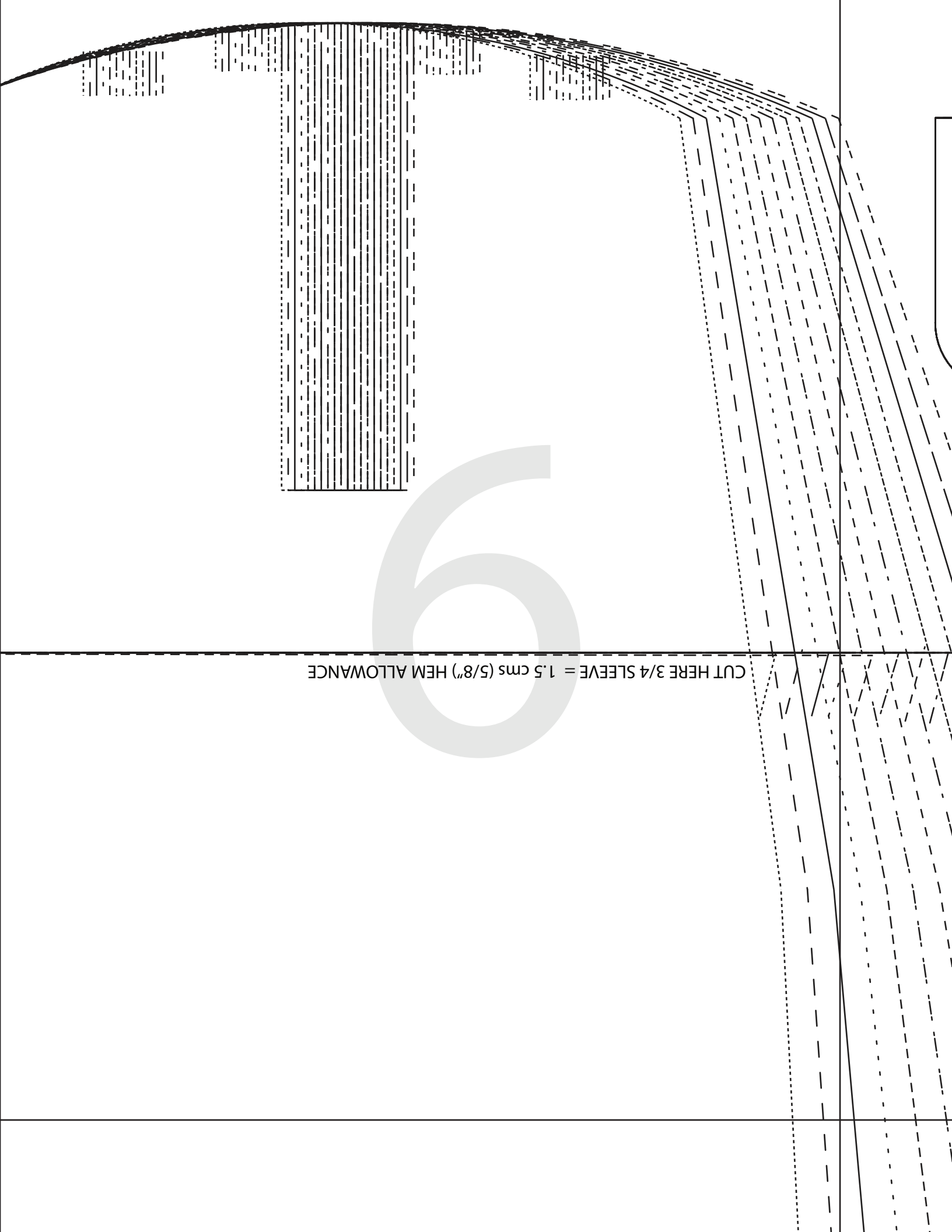
1 cm (3/8") SEAM ALLOWANCE



4







CUT HERE 3/4 SLEEVE = 1.5 cms (5/8") HEM ALLOWANCE

TALI TWIST
#08

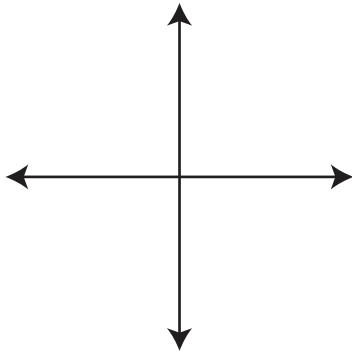
12

CUFF (FOR PL

CUT 4

CUT 2 - IN

(6 mms (1/4") seam allowar



TALI TWIST BLOUSE
#0823

7

COLLAR STAND

CUT 2 FOLD - MAIN

CUT 1 FOLD - INTERFACING

(6 mms (1/8") seam allowance unless otherwise stated)



TALI TWIST BLOUSE
#0823

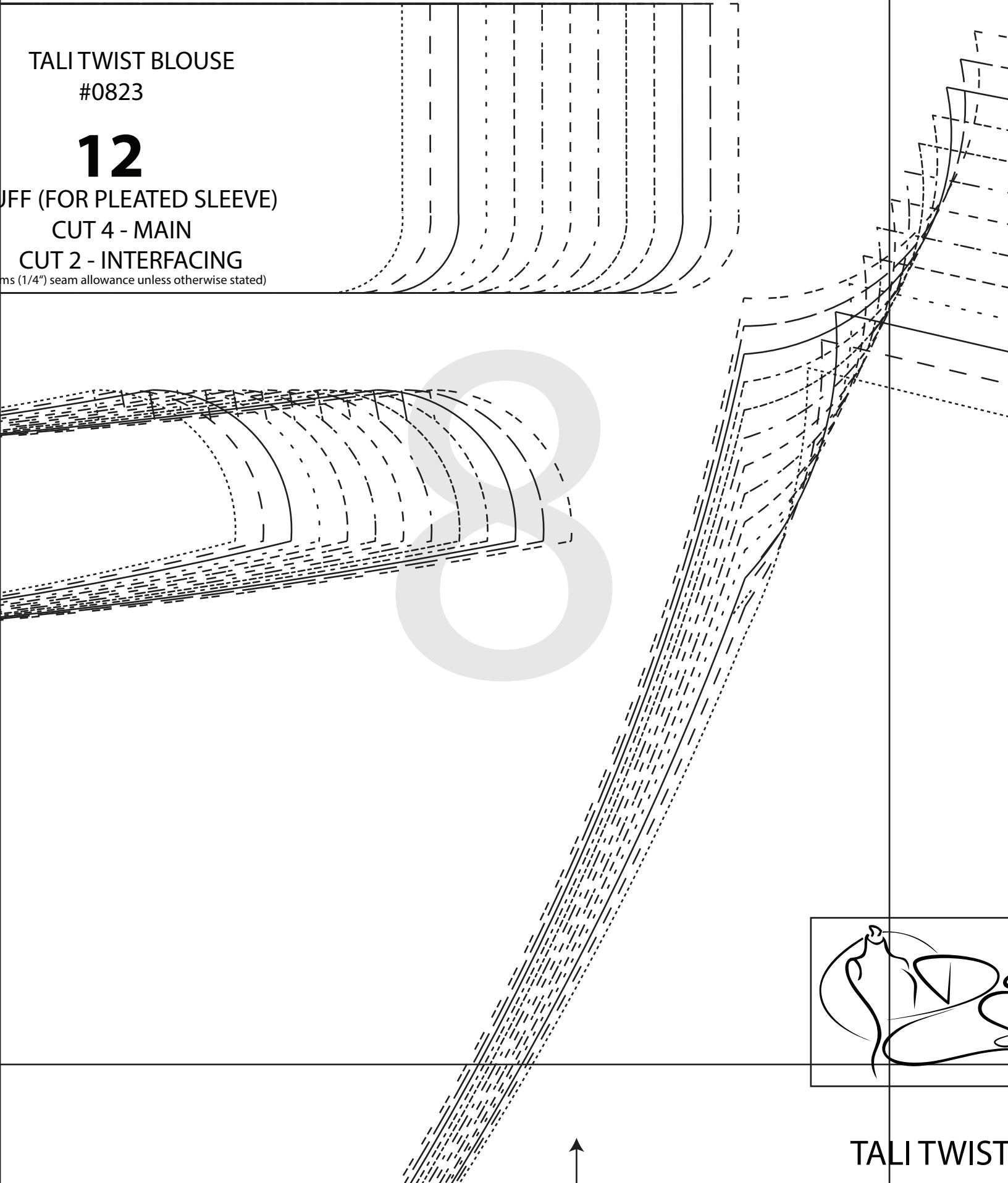
12

DIFF (FOR PLEATED SLEEVE)

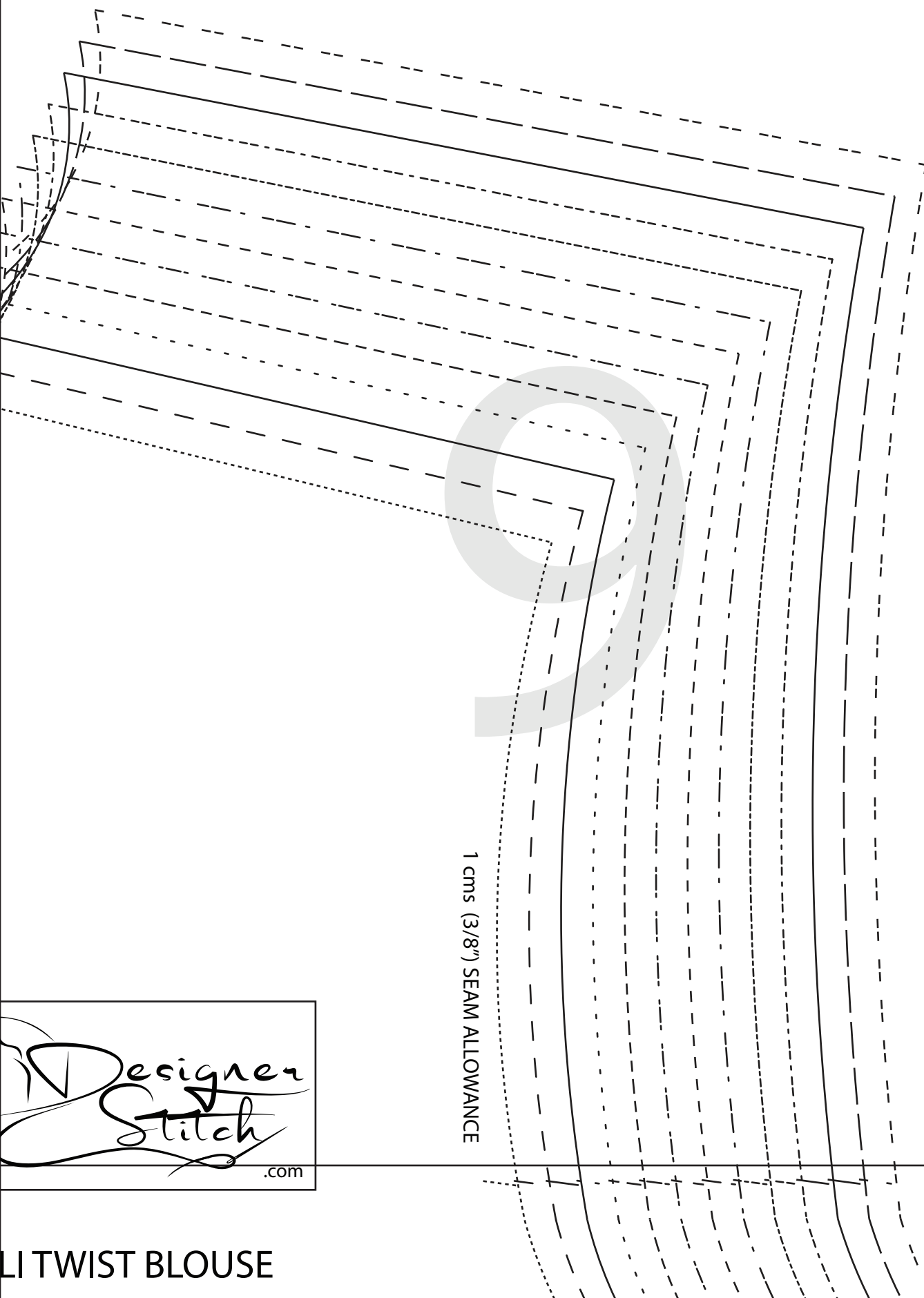
CUT 4 - MAIN

CUT 2 - INTERFACING

ms (1/4" seam allowance unless otherwise stated)



TALI TWIST



1 cms (3/8") SEAM ALLOWANCE



LI TWIST BLOUSE

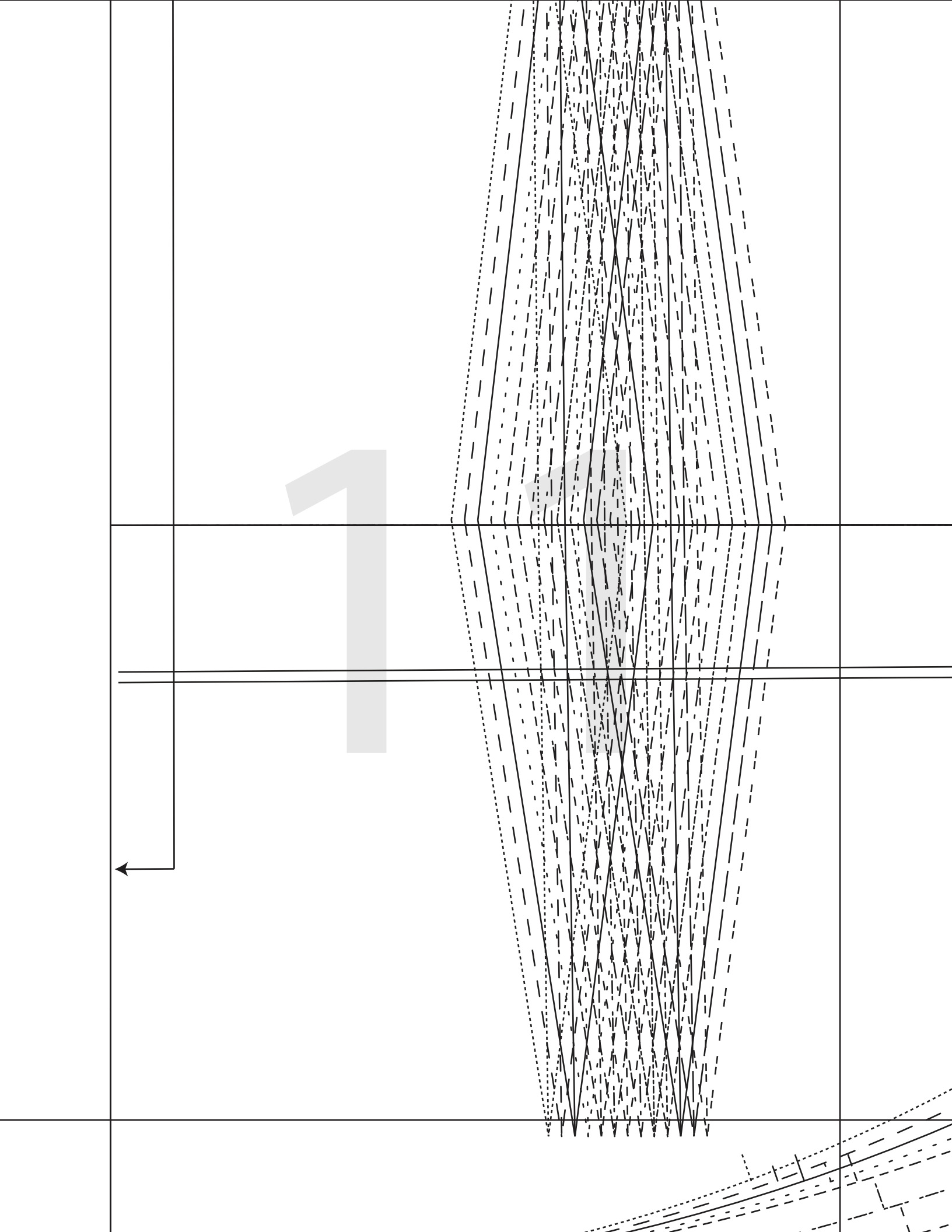


TALI TWIST BLOUSE

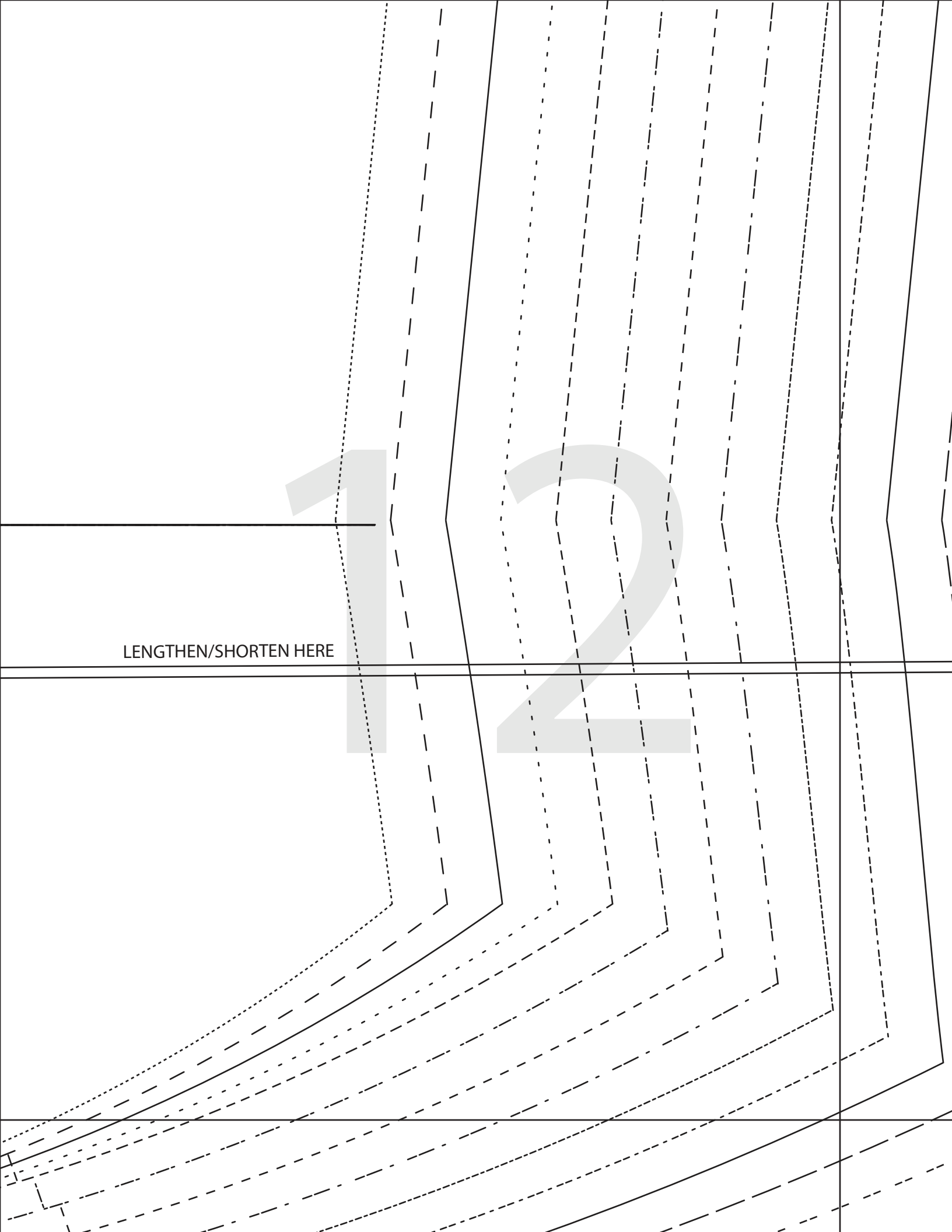
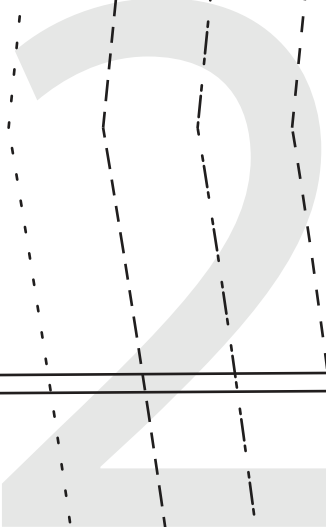
#0823

5cms square

2 inch square

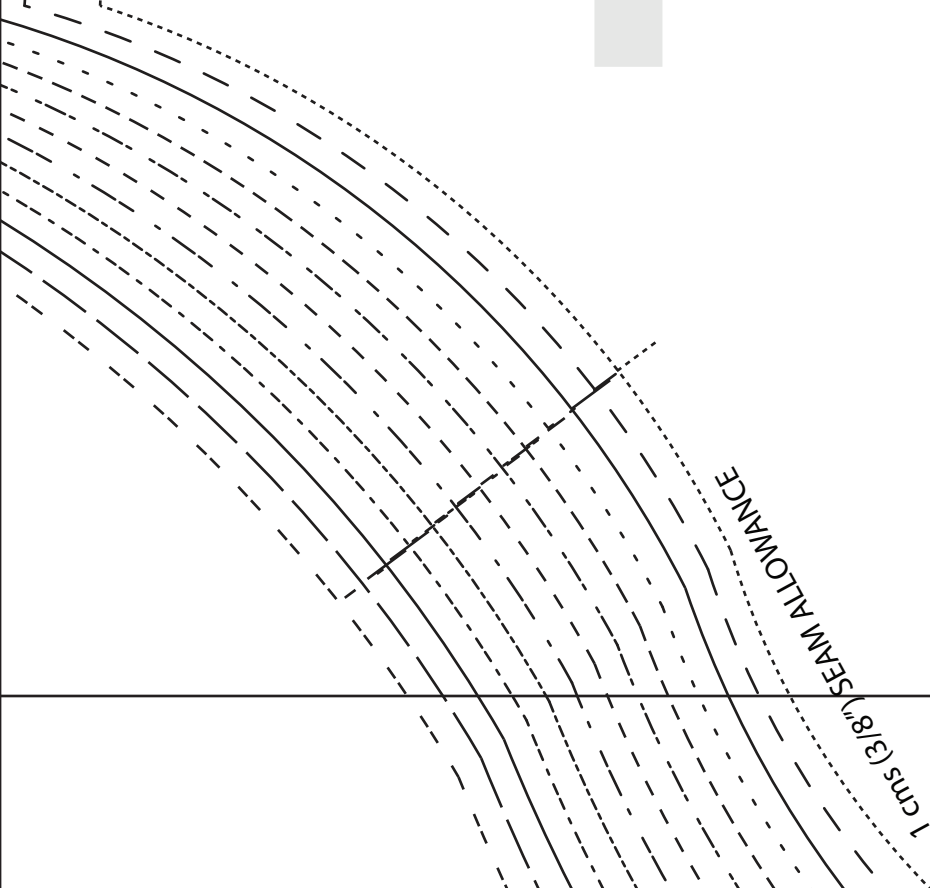


LENGTHEN/SHORTEN HERE



13

14



(e stated)

(1.5 cms (5/8") seam allowance unless otherwise stated)

CUT 2

PLEATED SLEEVE

11

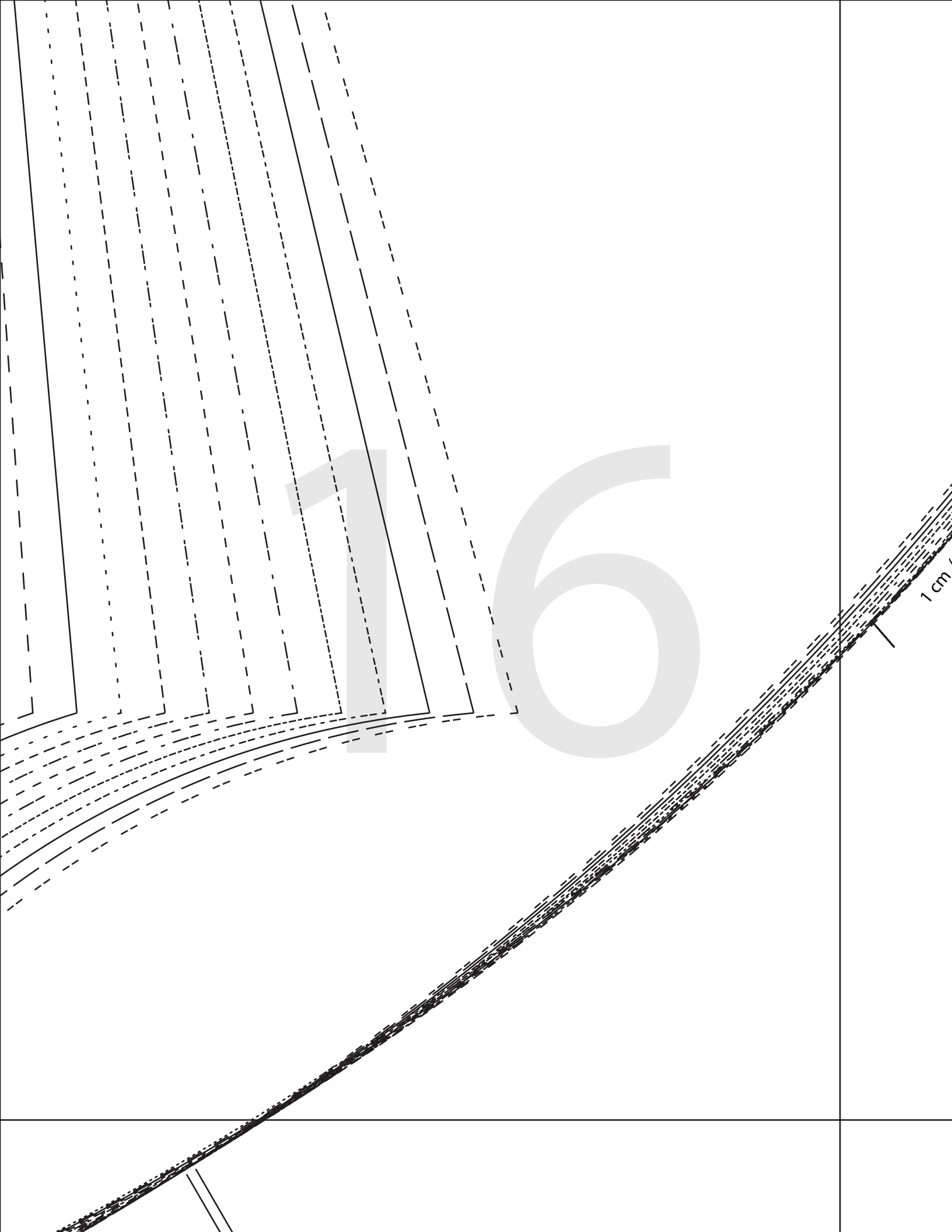
#0823

TALI TWIST BLOUSE



1 cms (3/8") SEAM ALLOWANCE

15



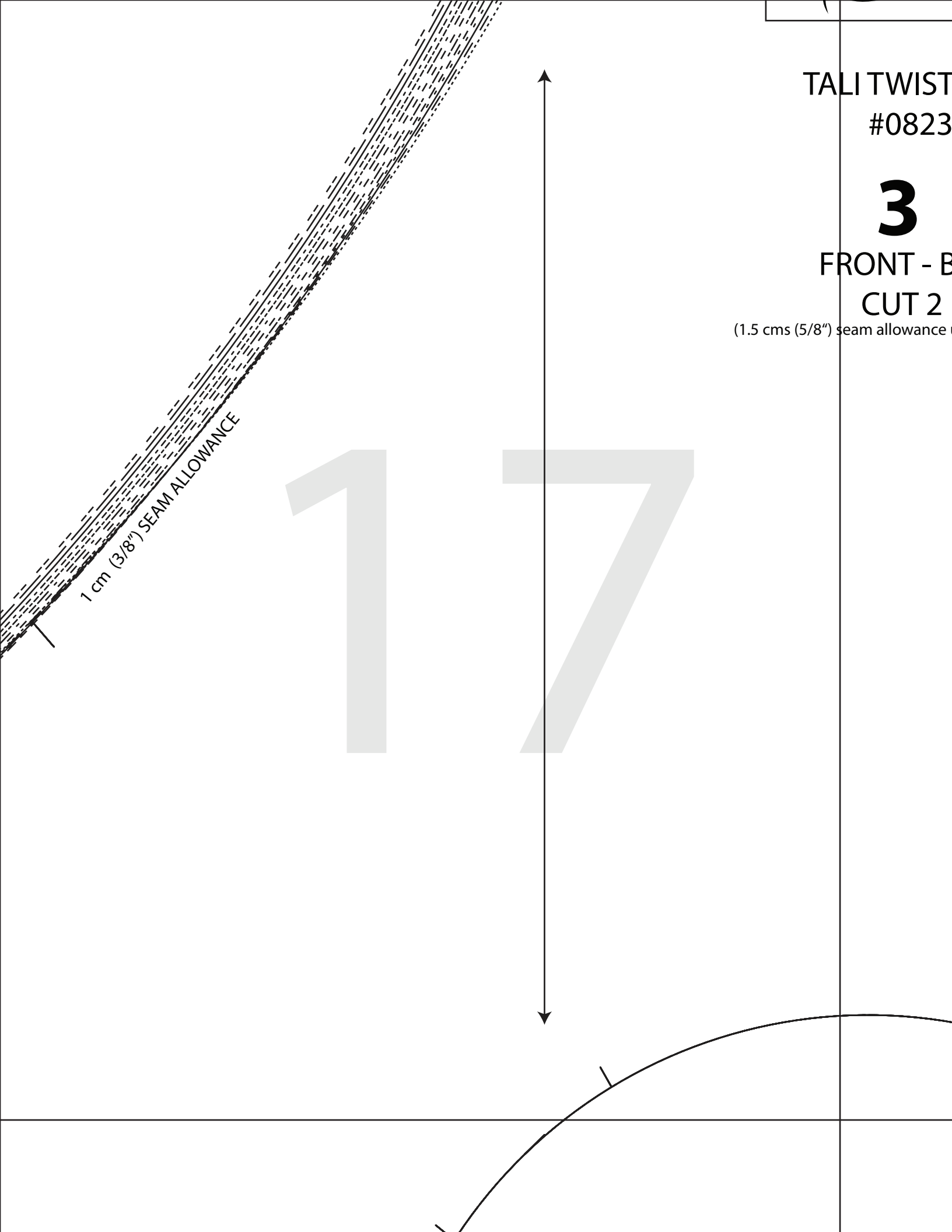
TALI TWIST
#0823

3

FRONT - B

CUT 2

(1.5 cms (5/8") seam allowance



LI TWIST BLOUSE

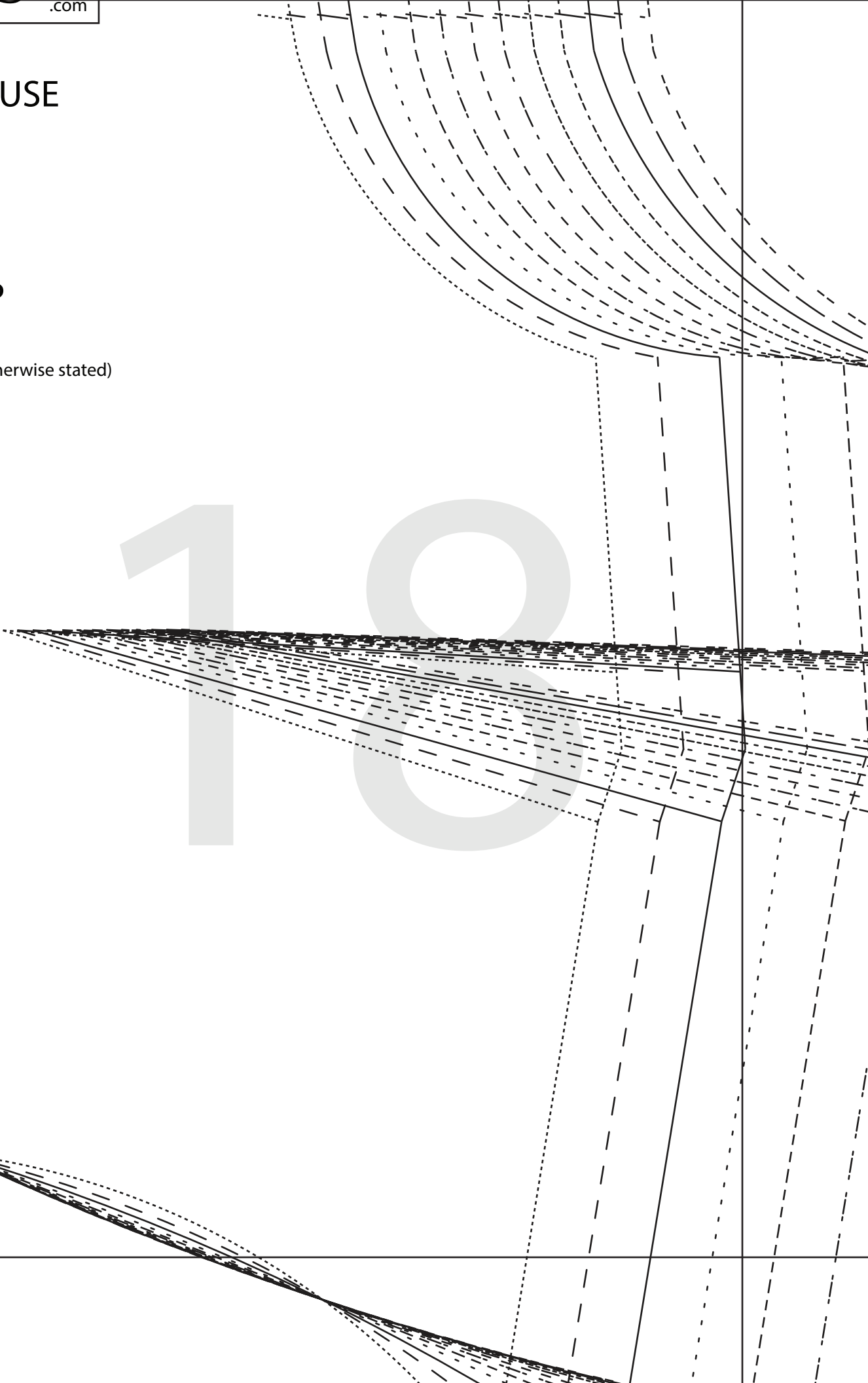
#0823

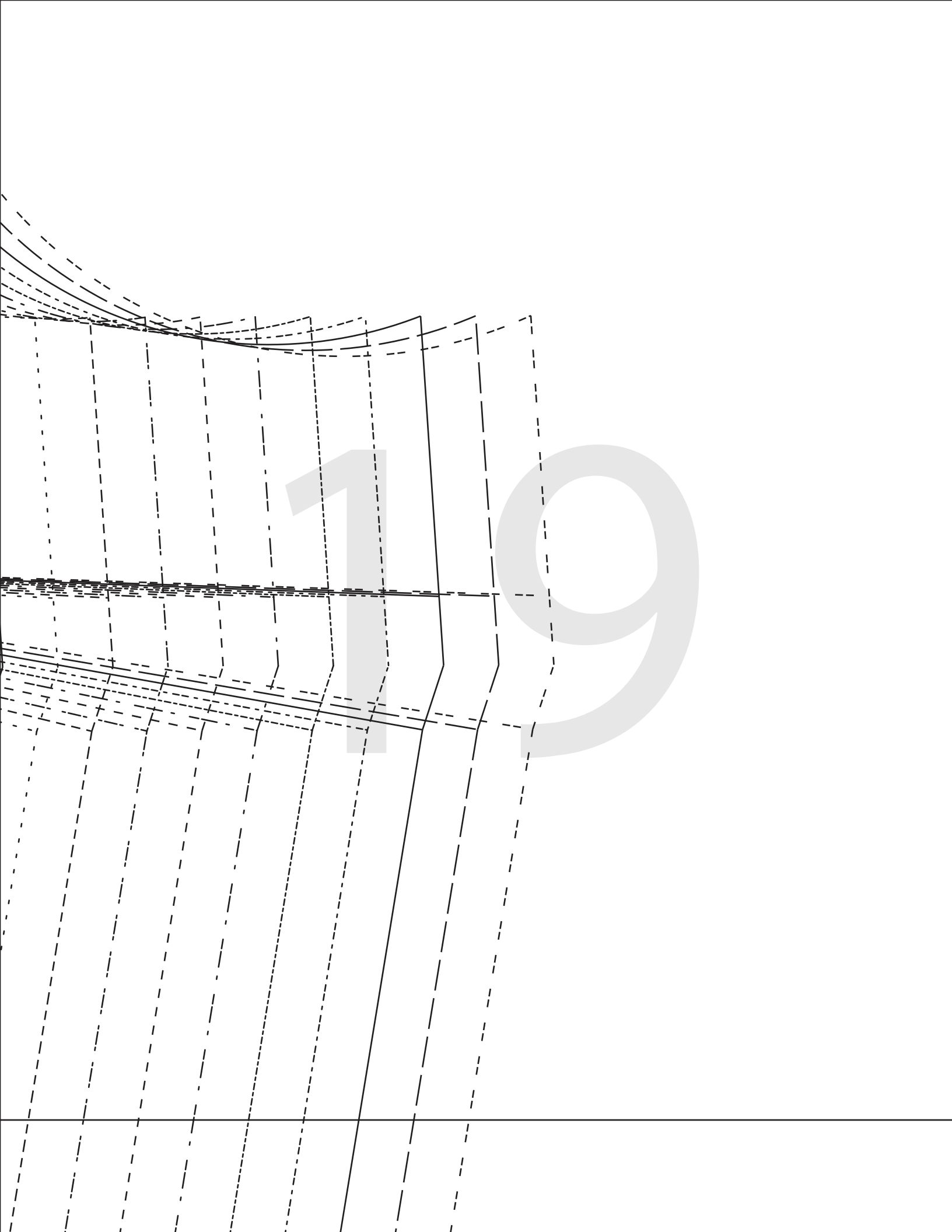
3

FRONT - B CUP

CUT 2

(seam allowance unless otherwise stated)

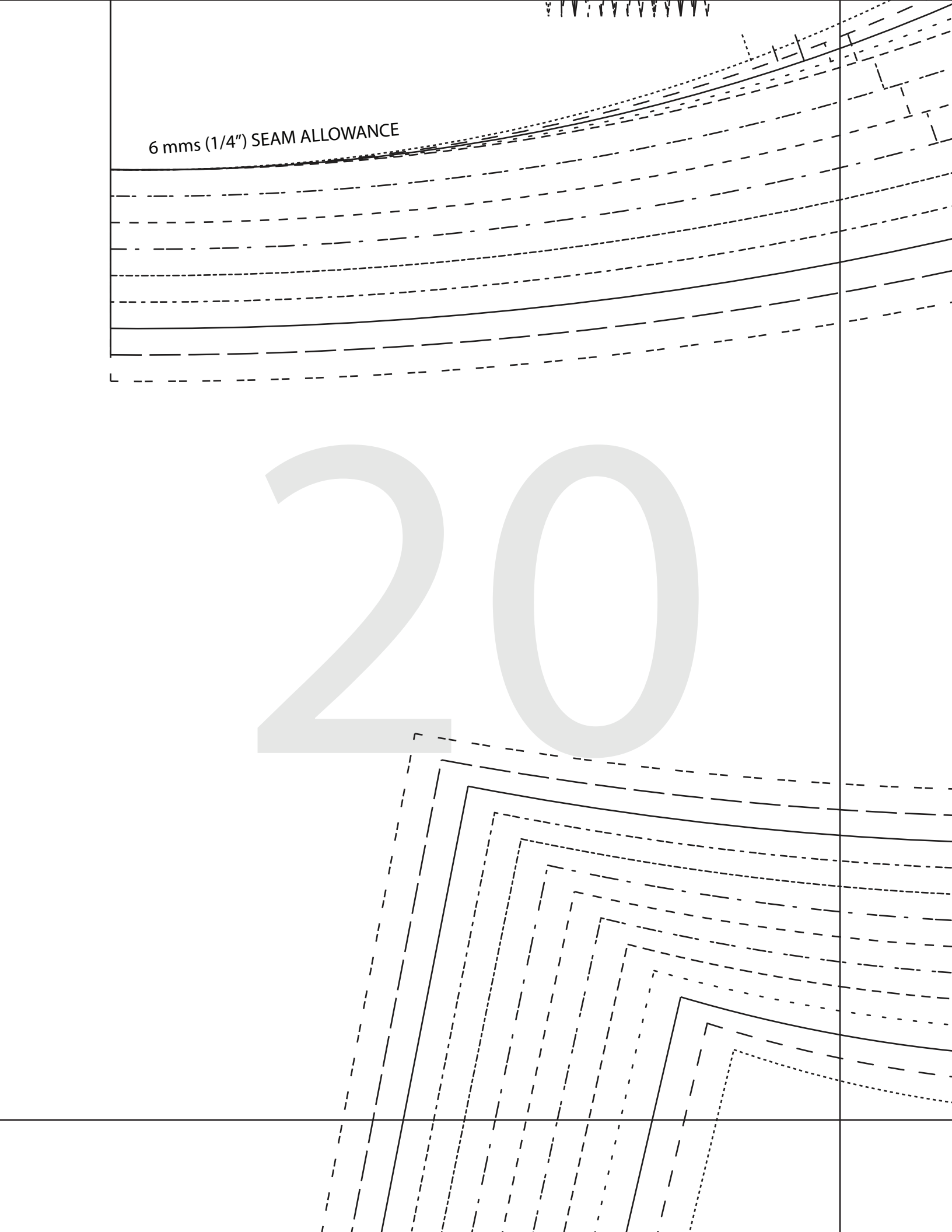




19

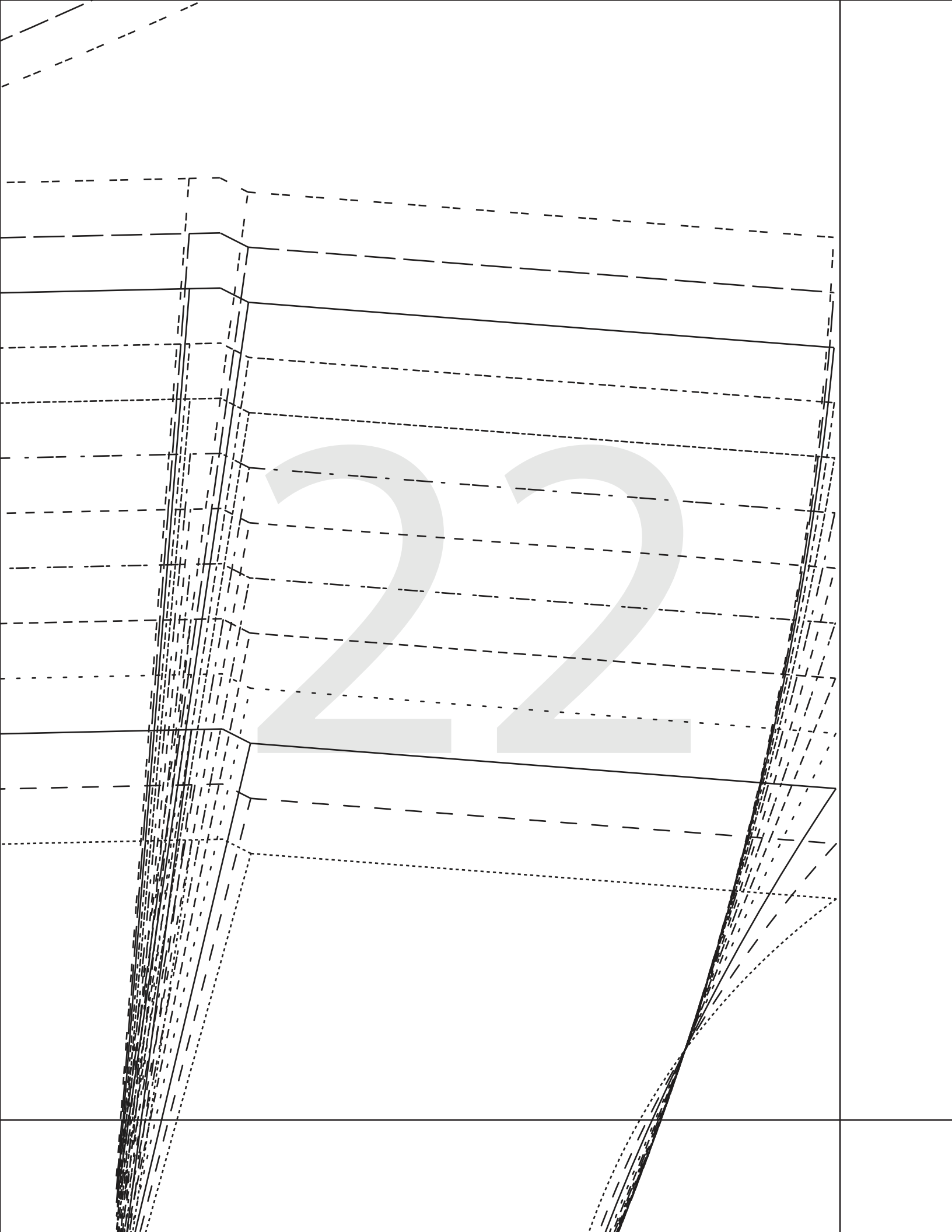
6 mms (1/4") SEAM ALLOWANCE

20

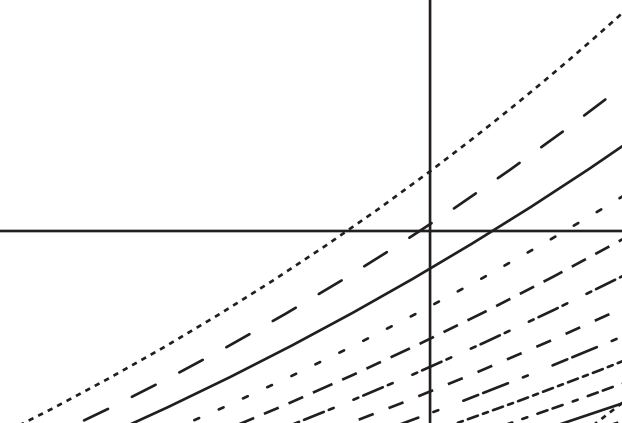
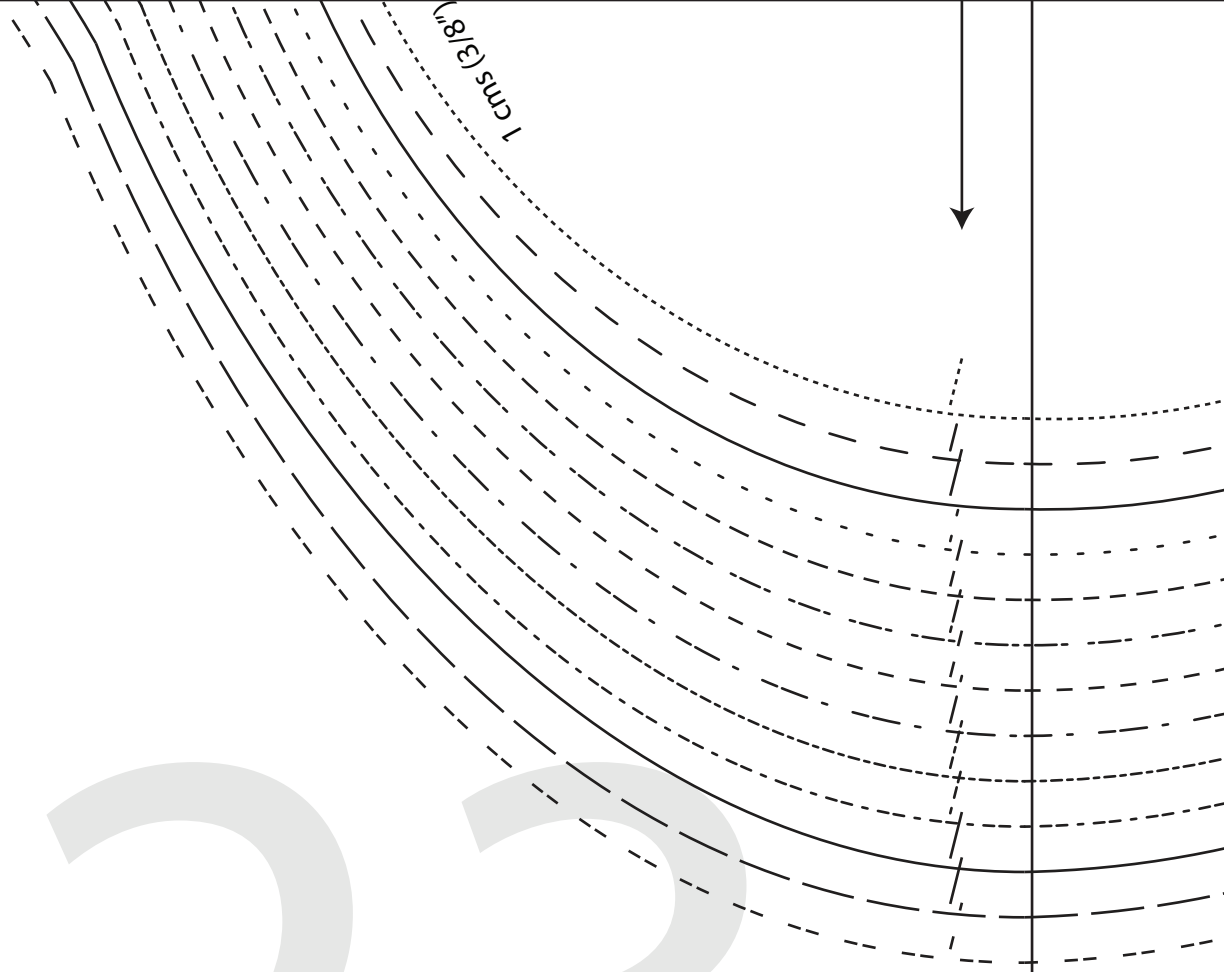


21

1 cms (3/8") SEAM ALLOWANCE



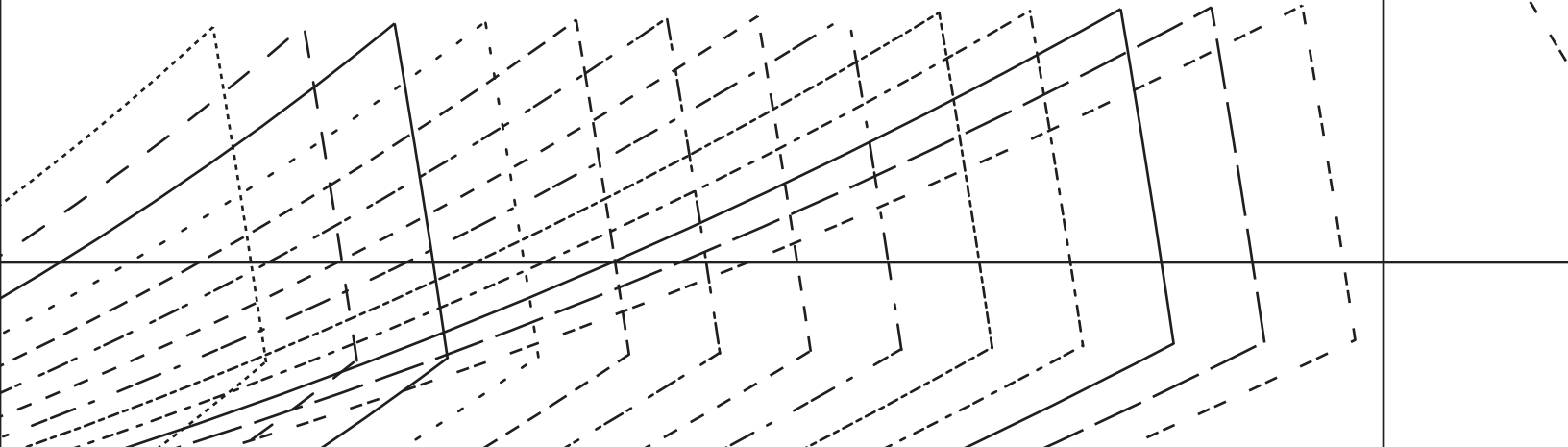
23



FINANCE

24

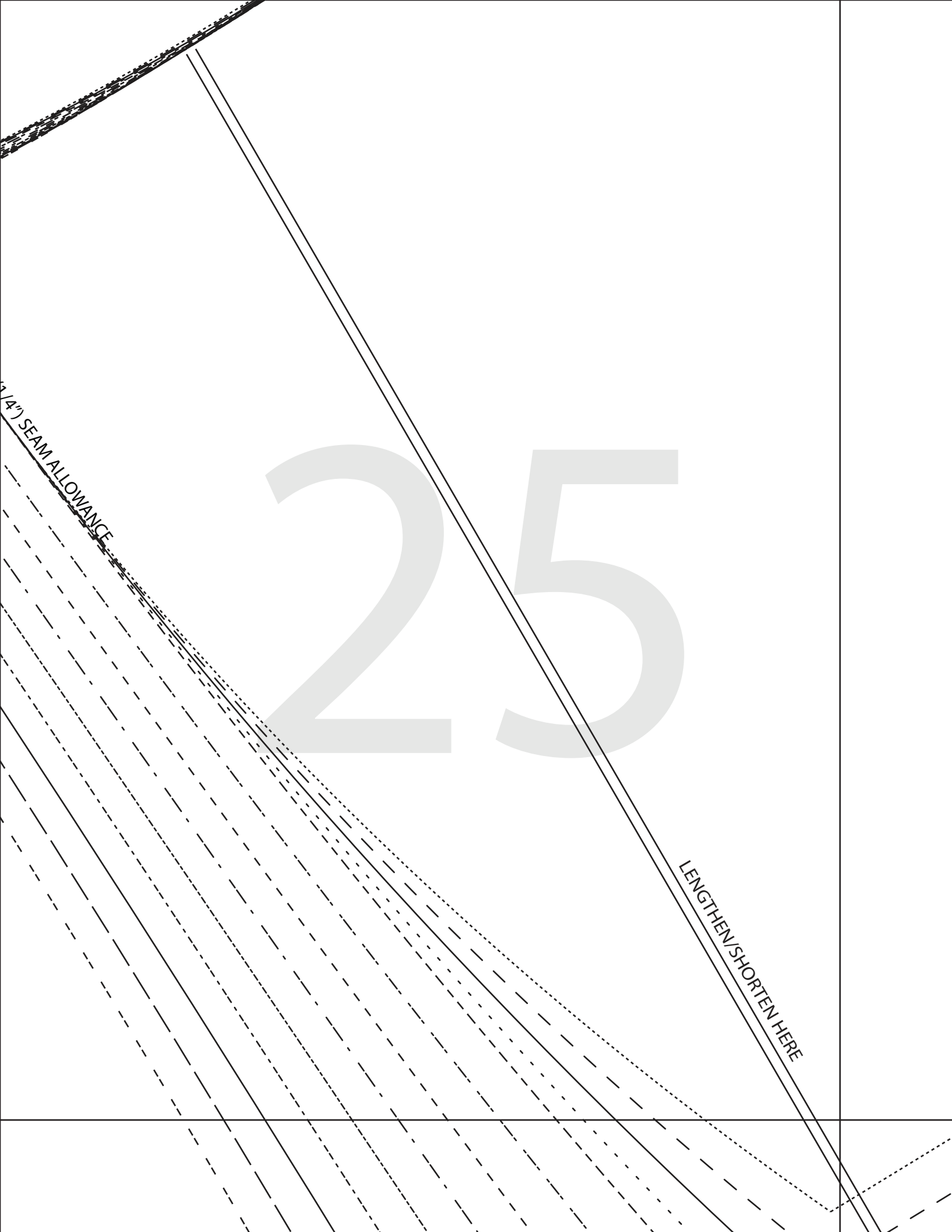
6mm (1/4") SEAM ALLOWANCE



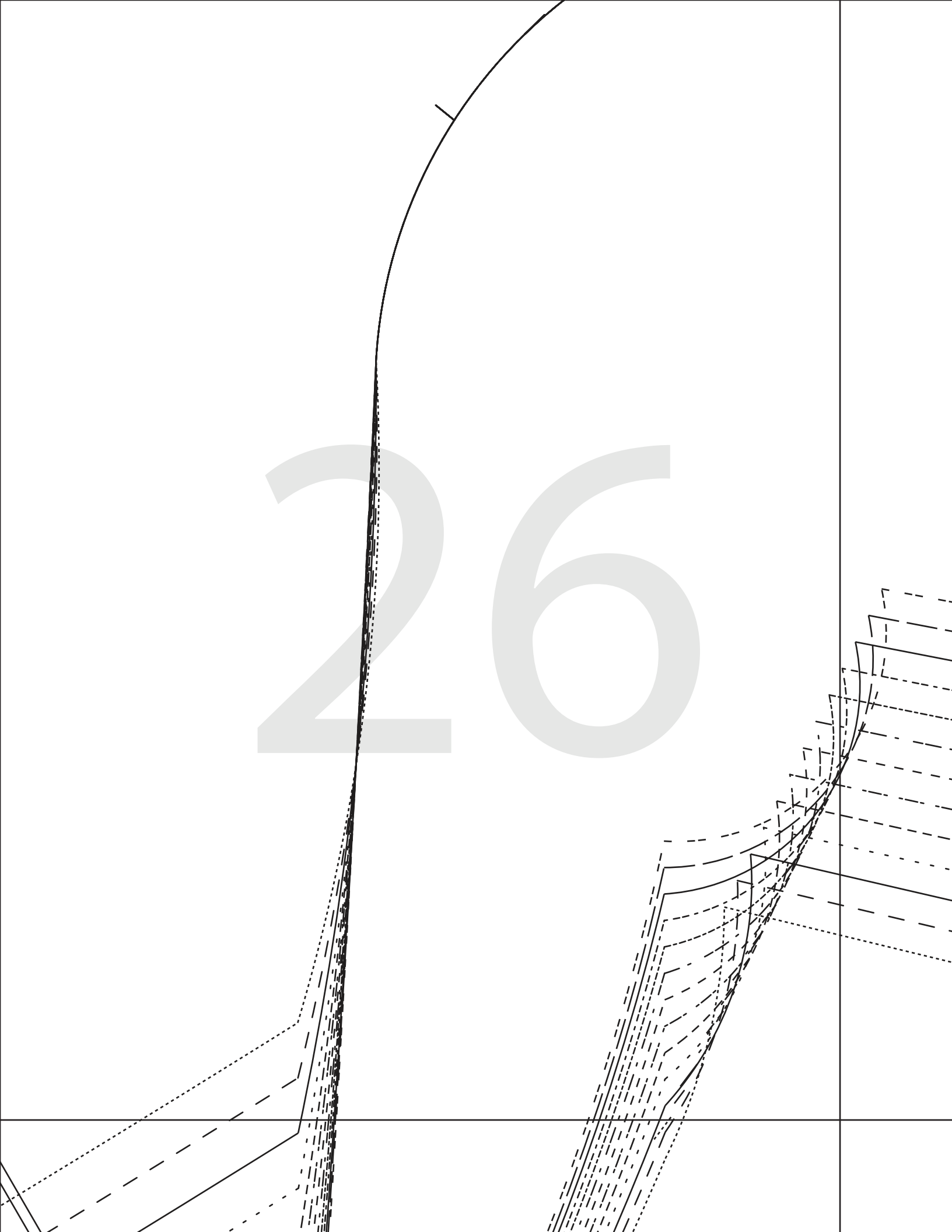
25

1/4" SEAM ALLOWANCE

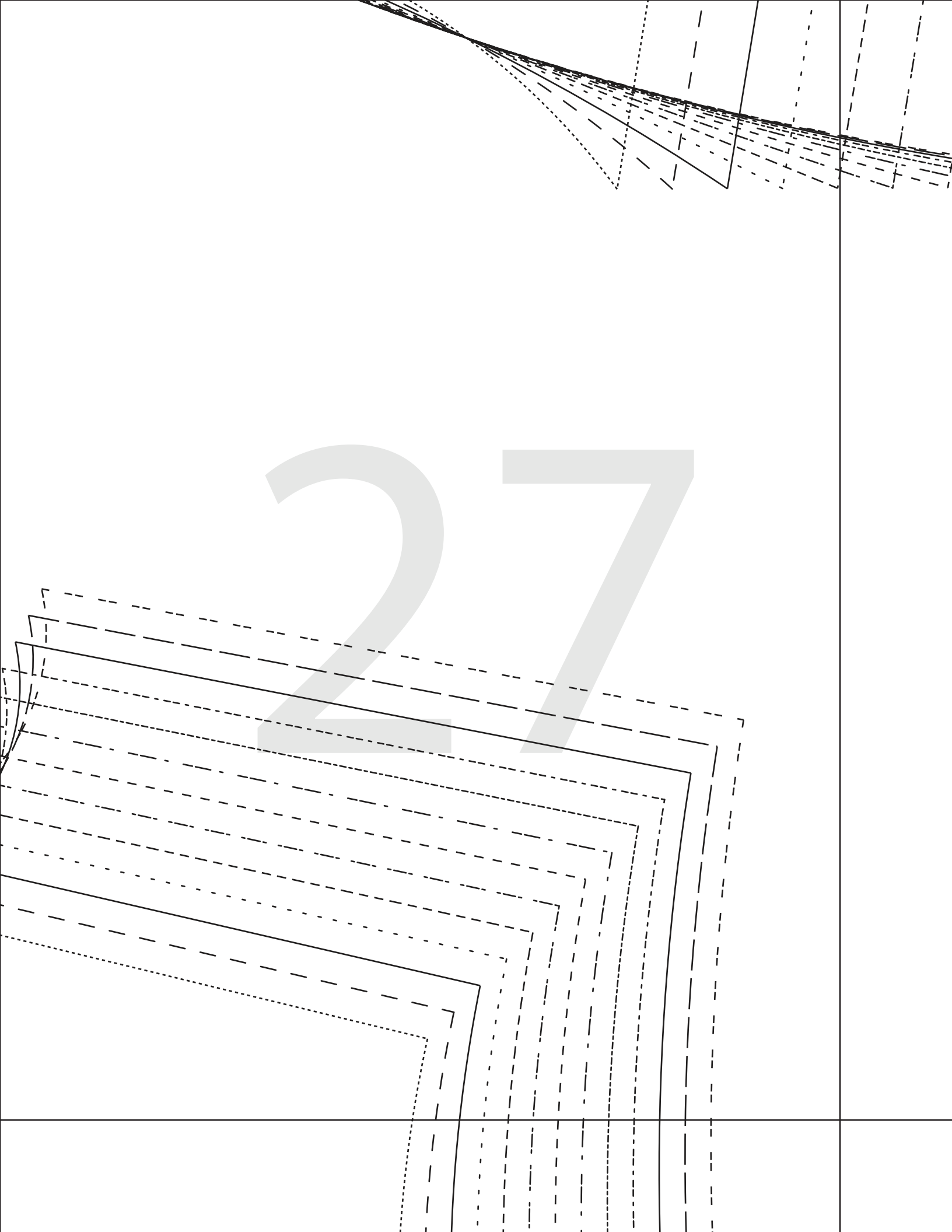
LENGTHEN/SHORTEN HERE



26



27





TALI TWIST BLOUSE
#0823

13

TOP PLACKET
CUT 2 -
MAIN/INTERFACING

(6 mms (1/4") seam allowance
unless otherwise stated)



TALI TWIST BLOUSE
#0823

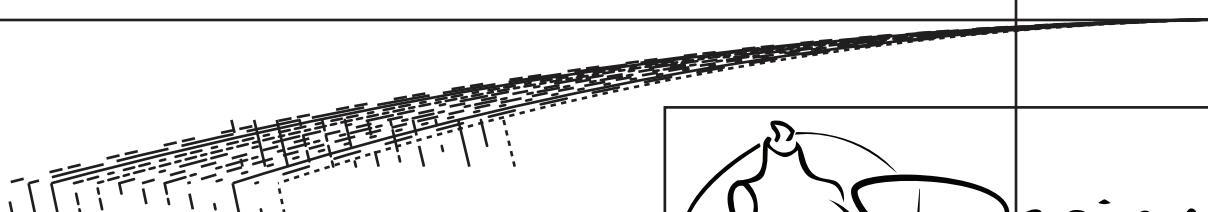
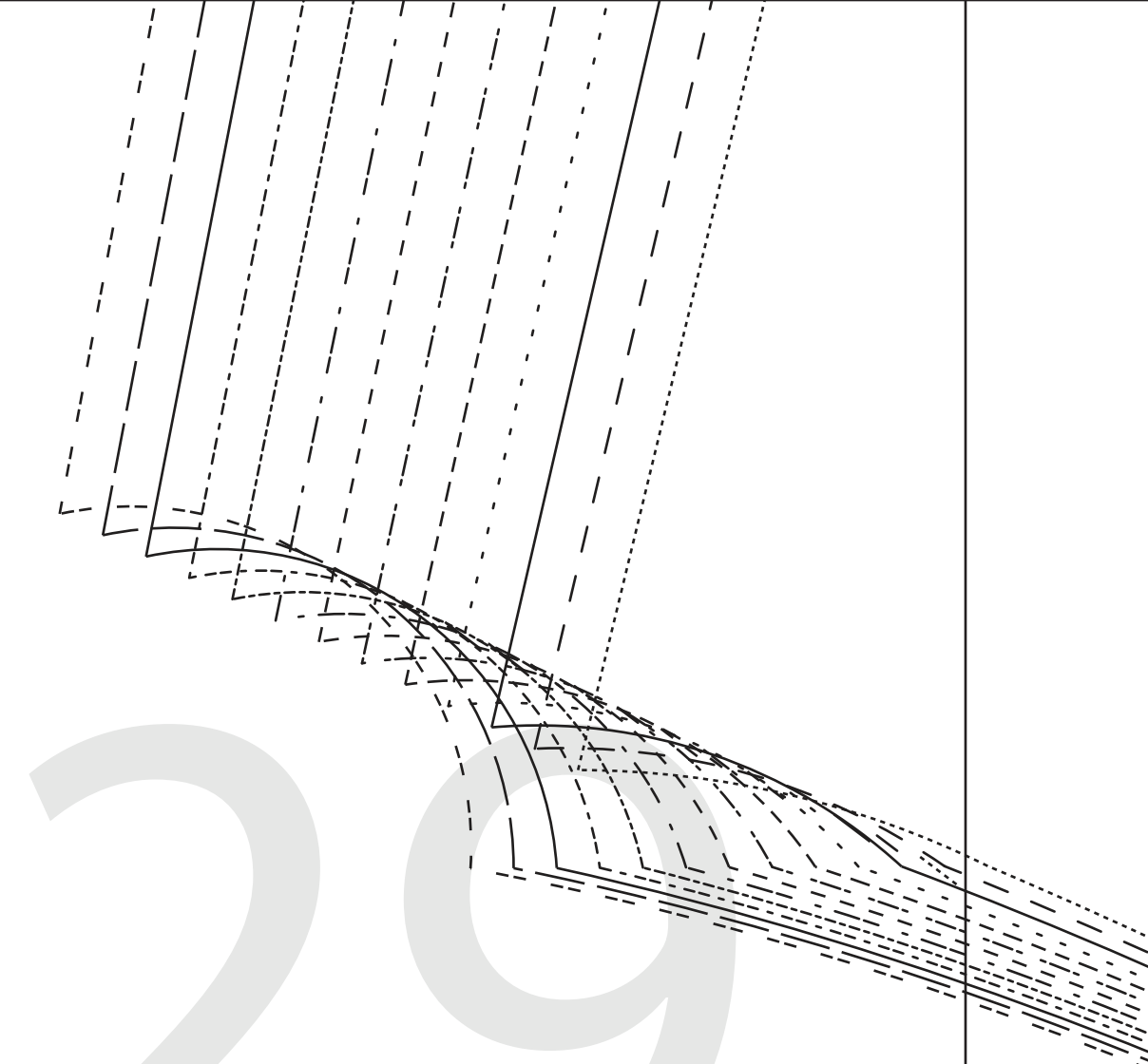
14

UNDER PLACKET

CUT 2 - MAIN/INTERFACING
(6 mms (1/4") seam allowance unless otherwise stated)



29





TALITWIST BLOUSE

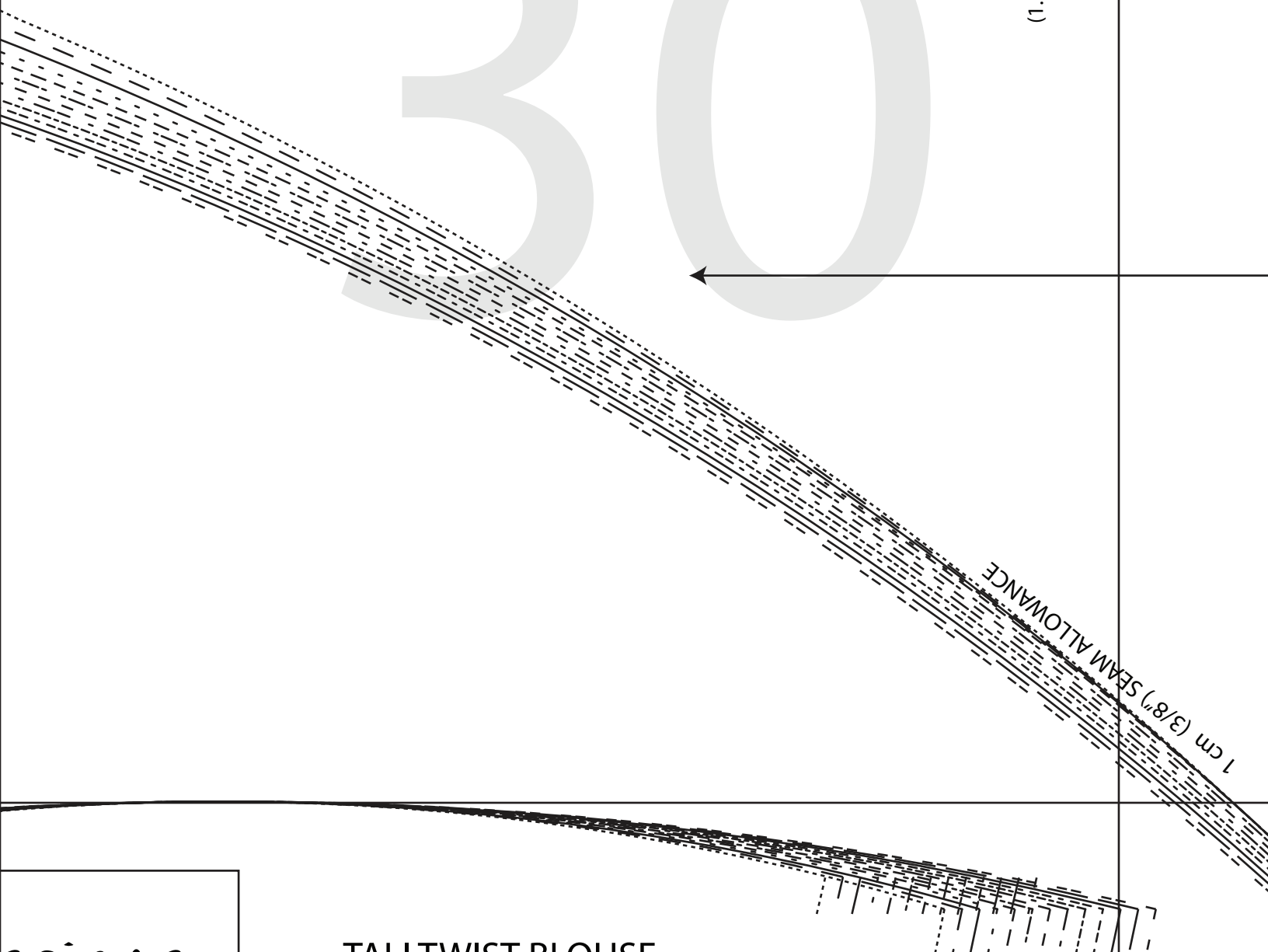
#0823

3

FRONT - A CUP

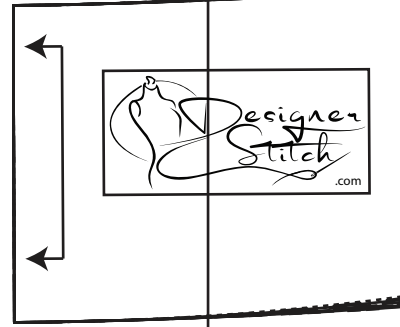
CUT 2

(1.5 cms (5/8") seam allowance unless otherwise stated)

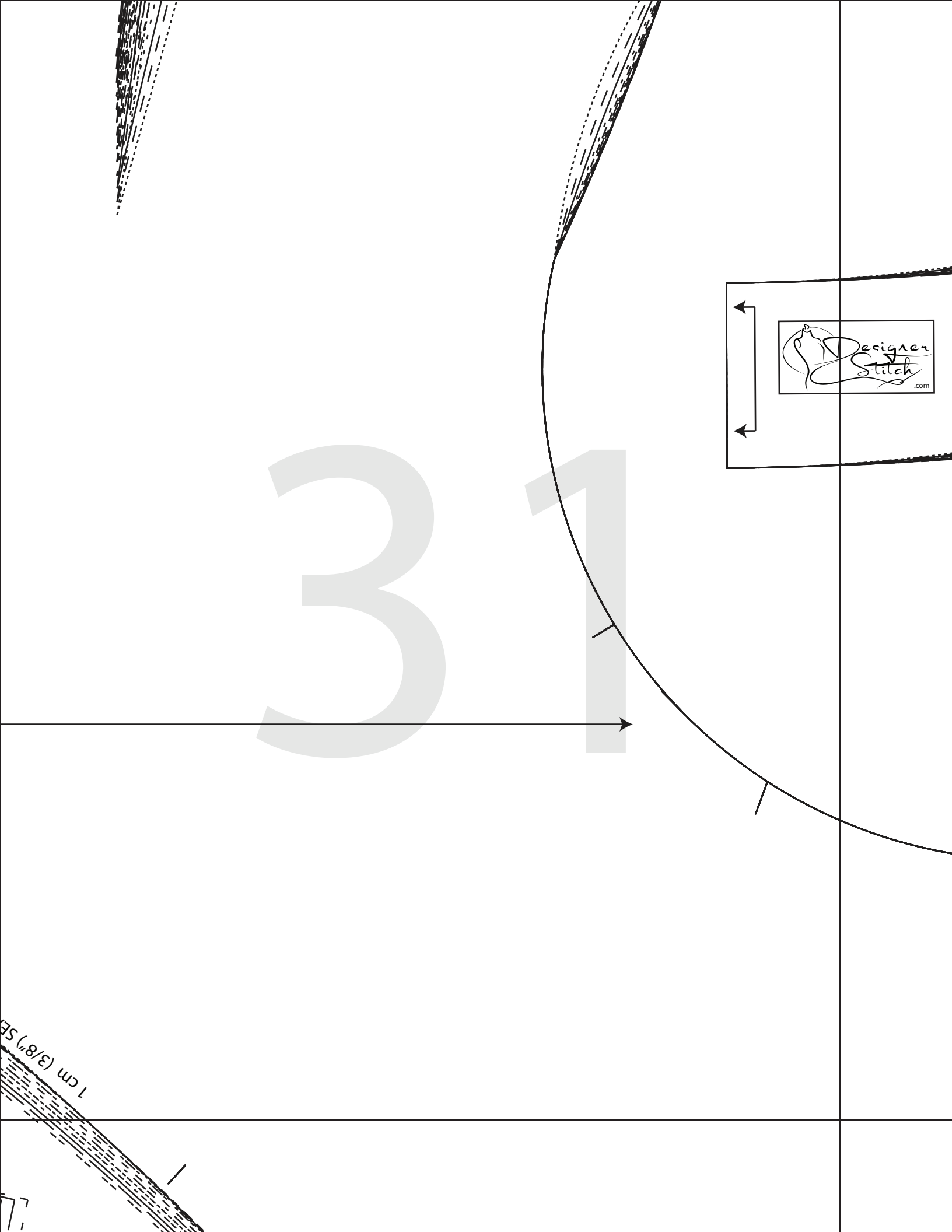


1 cm (3/8") SEAM ALLOWANCE

3 1



1 cm (3/8") SEW



TALI TWIST BLOUSE
#0823



5
BACK HEM FACING
CUT 1 FOLD - MAIN/INTERFACING
(6 mms (1/4") seam allowance unless otherwise stated)

32

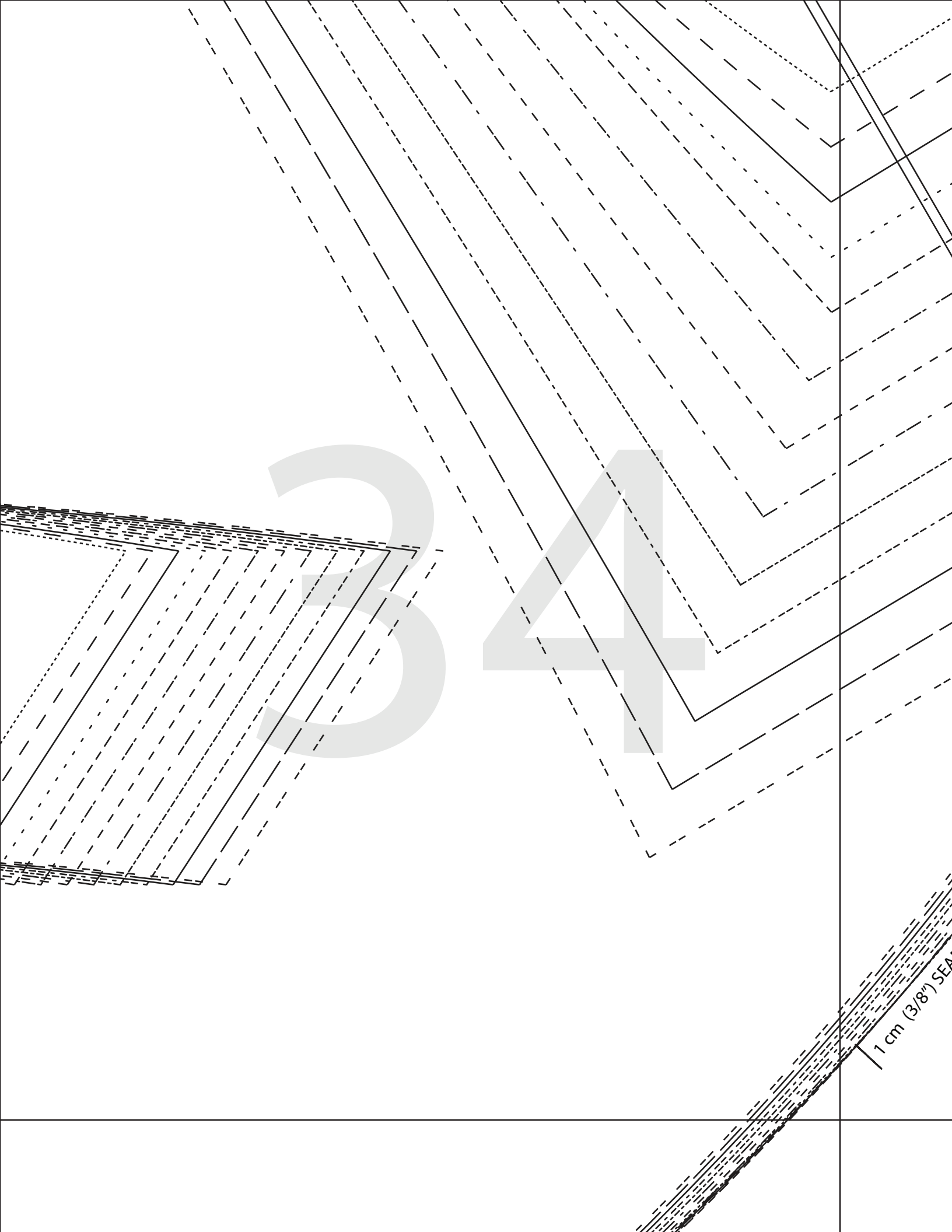


TALI TWIST BLOUSE
#0823



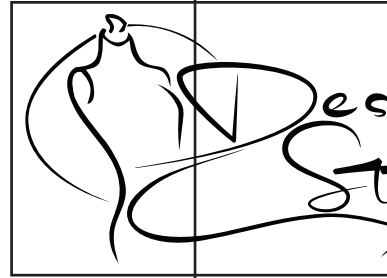
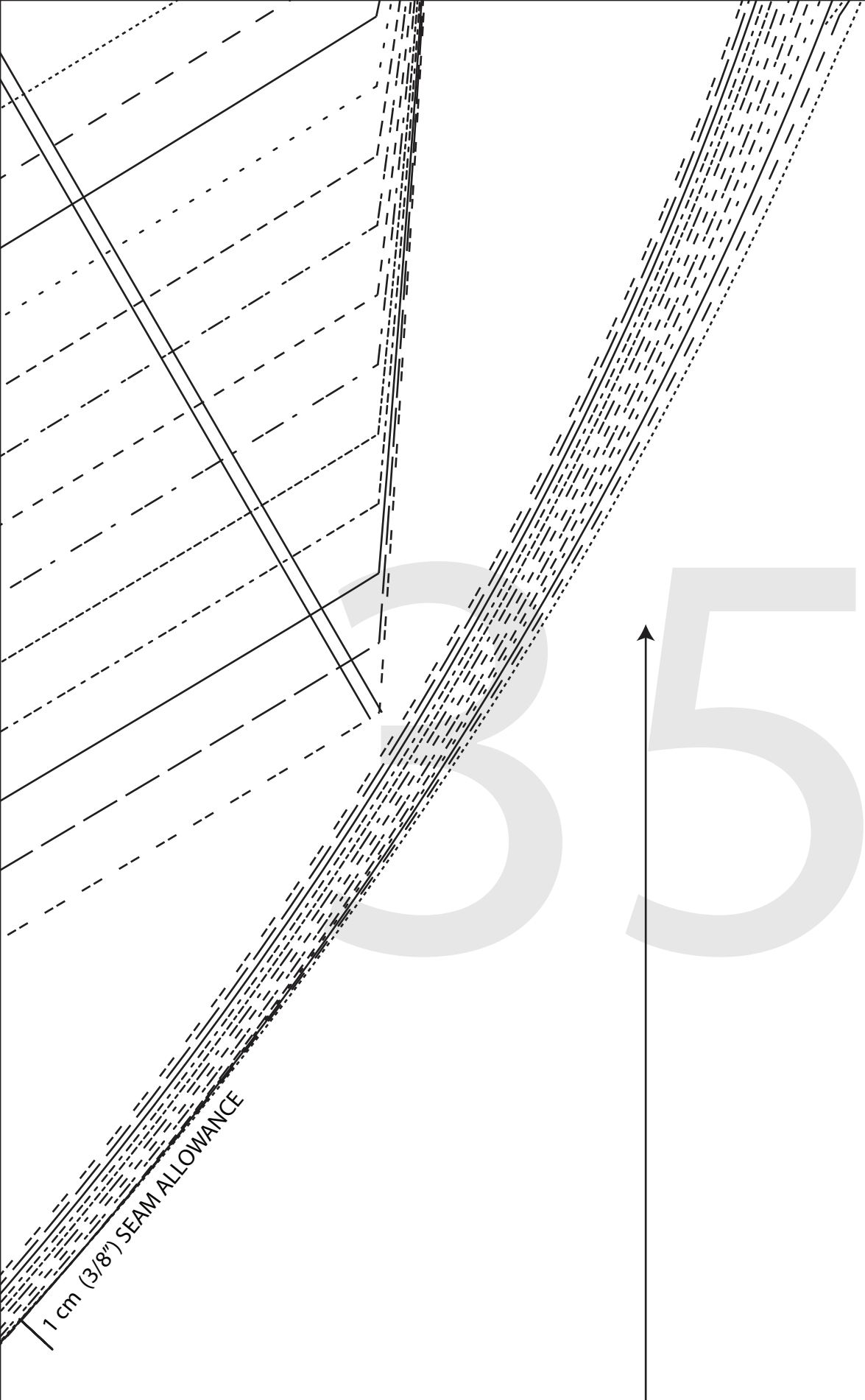
8

UPPER COLLAR
CUT 2 FOLD - MAIN
Cut 1 FOLD - INTERFACING
(6 mms (1/4") seam allowance unless otherwise stated)



34

1 cm (3/8") SEA



TALI TWIST B
#0823

3

FRONT - C C
CUT 2

(1.5 cms (5/8") seam allowance unless



TWIST BLOUSE

#0823

3

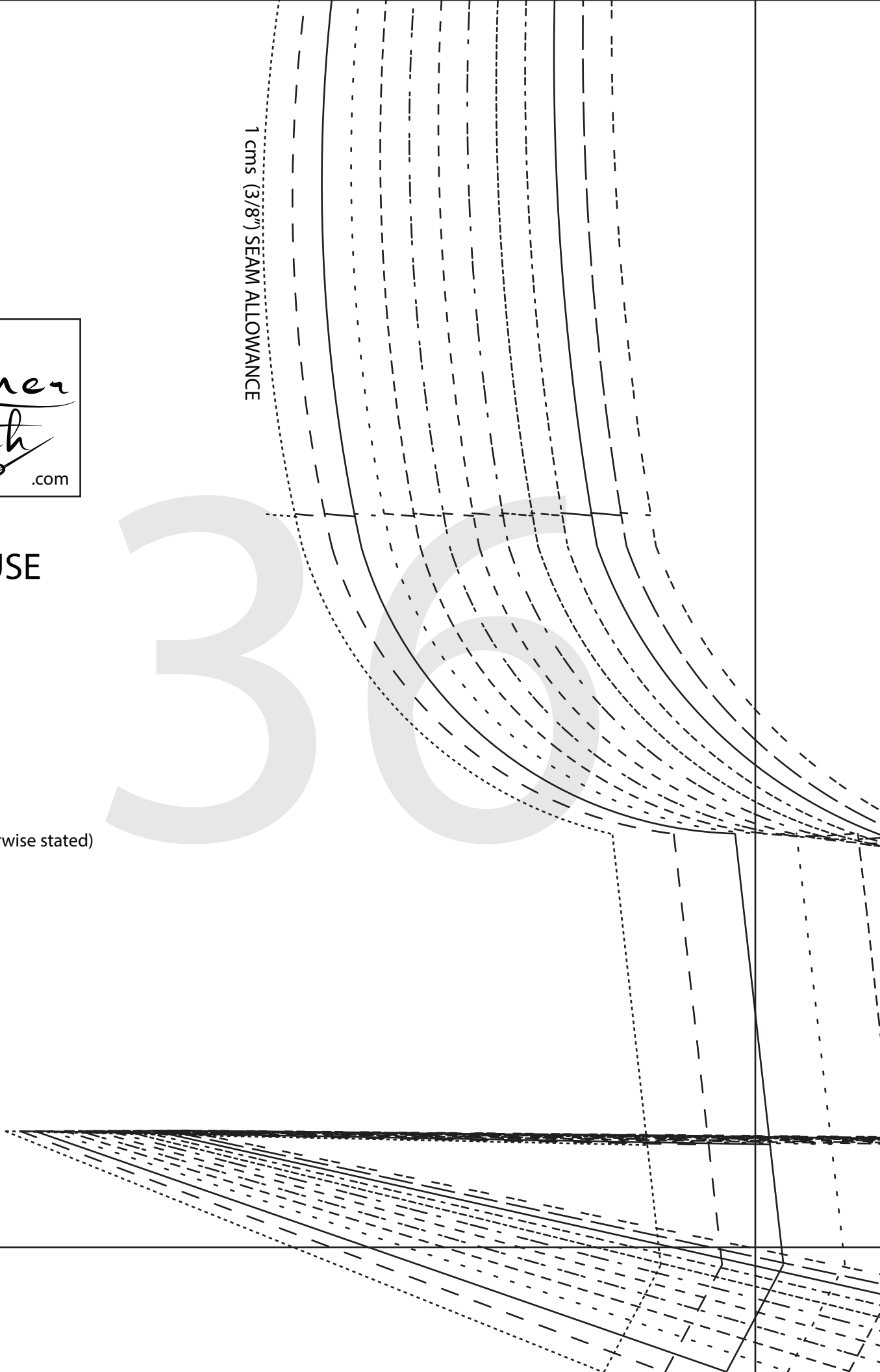
NT - C CUP

CUT 2

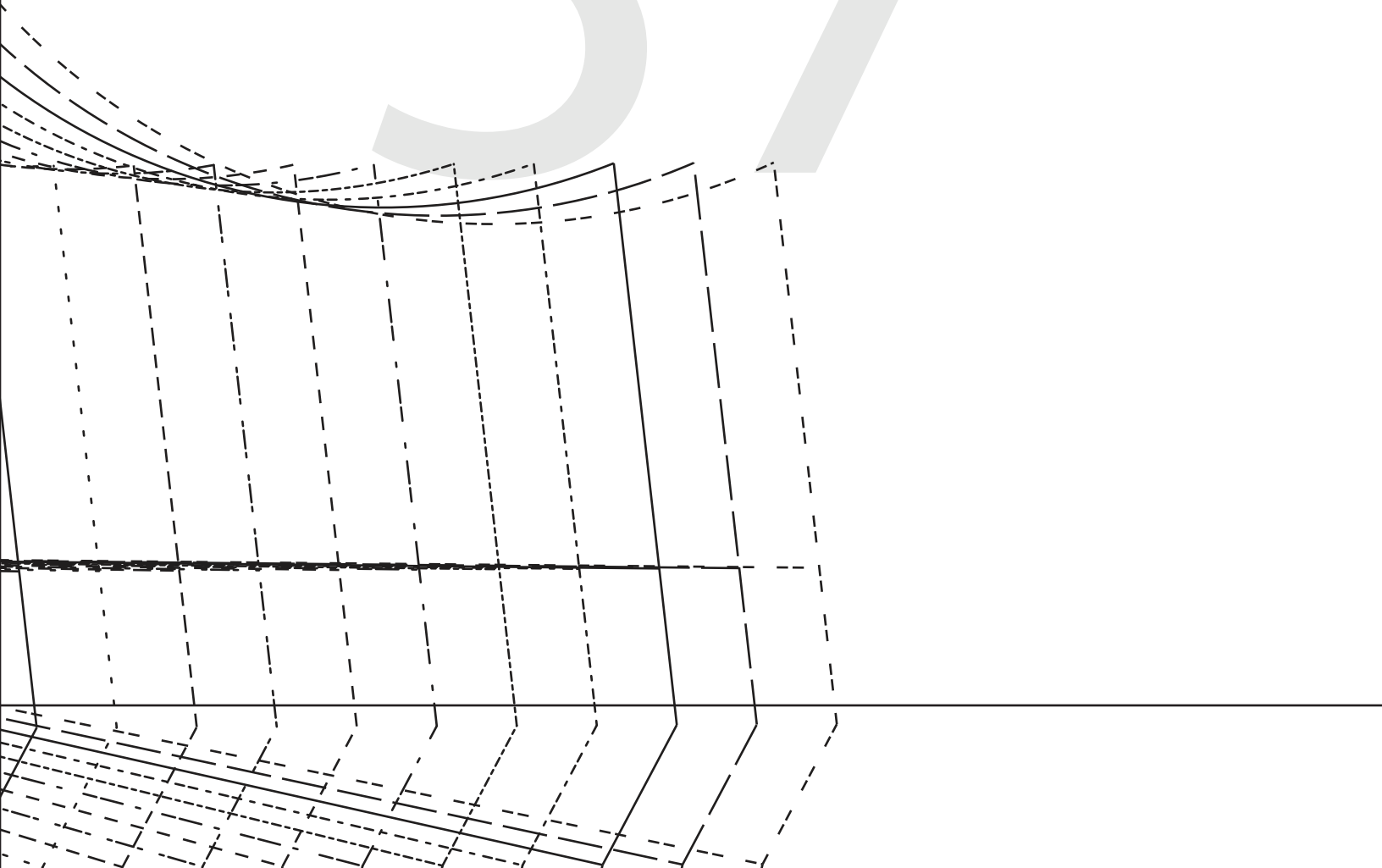
(allowance unless otherwise stated)

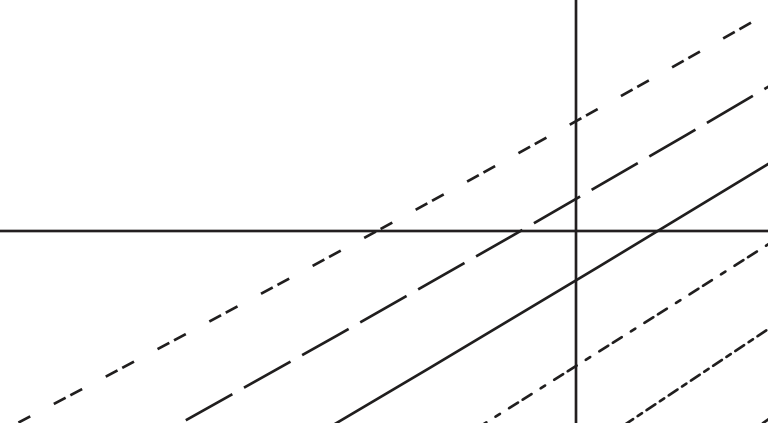
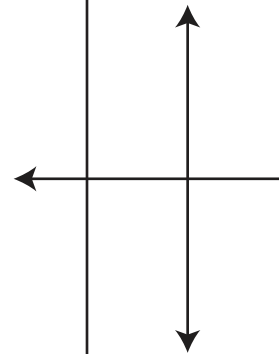
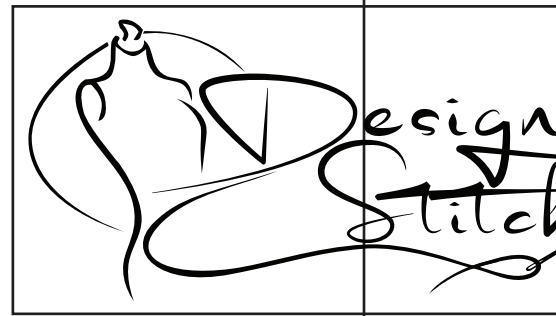
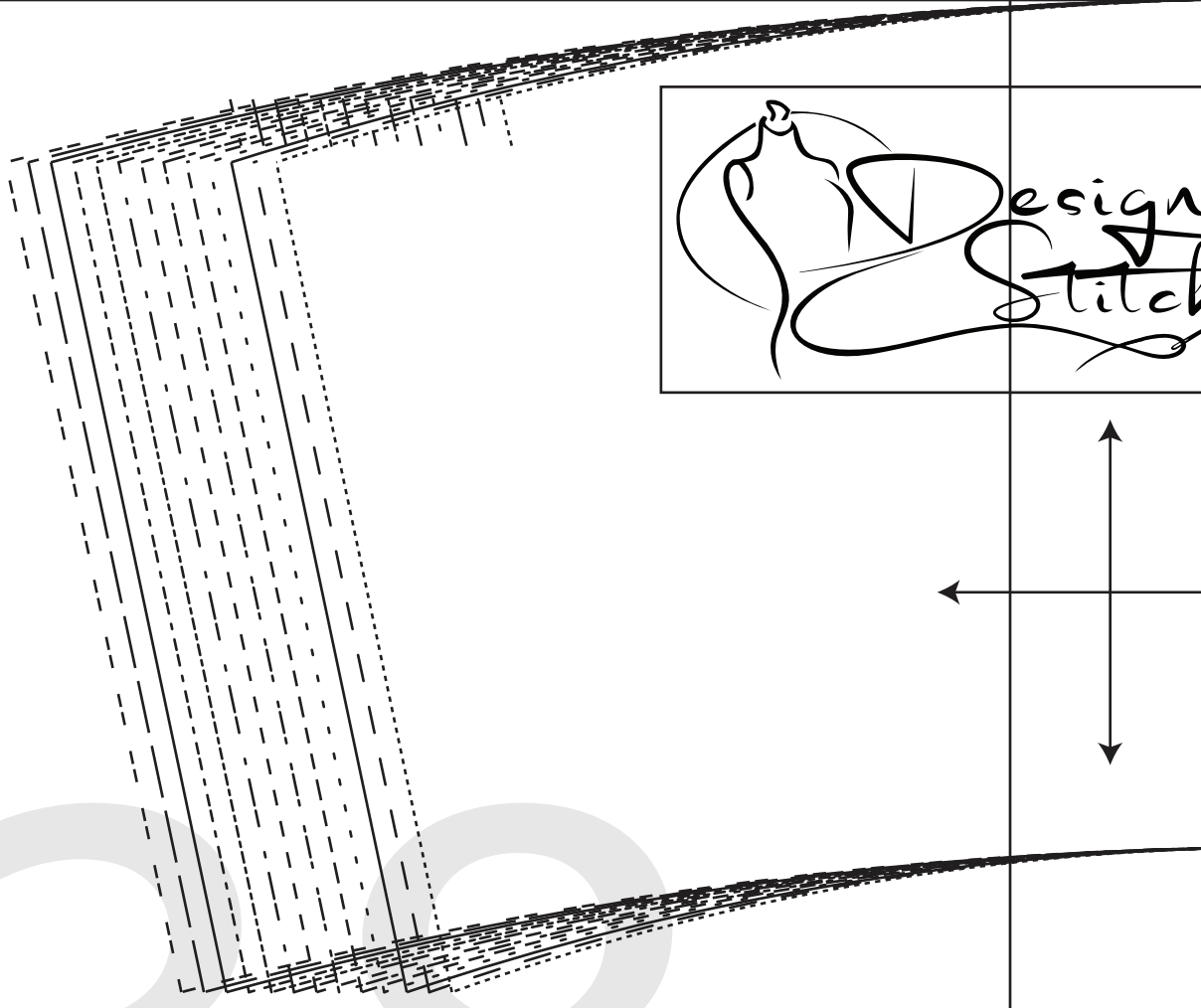
1 cms (3/8") SEAM ALLOWANCE

300



37







TALITWIST BLOUSE
#0823

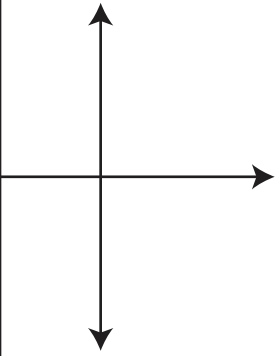
10

CUFF FOR GATHERED SLEEVE

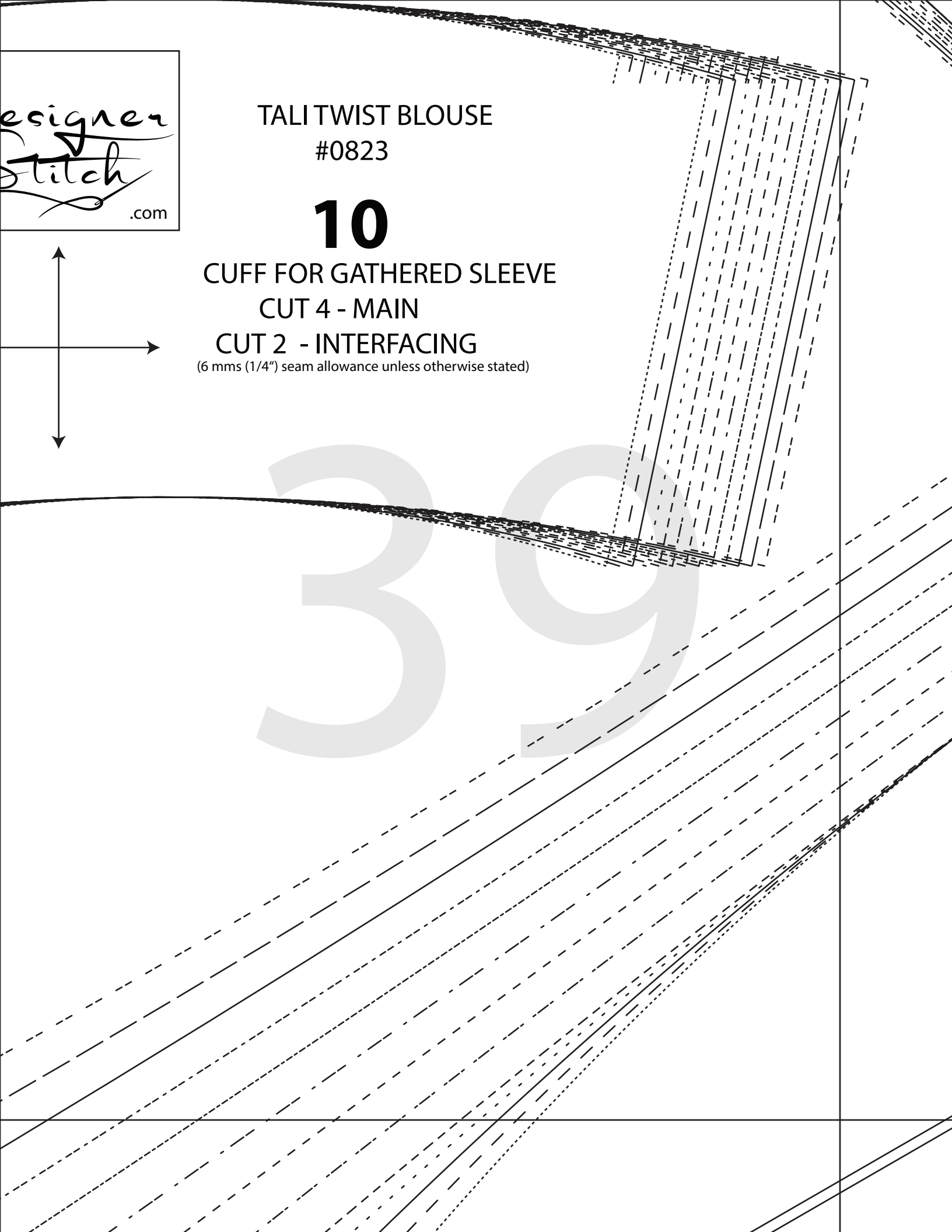
CUT 4 - MAIN

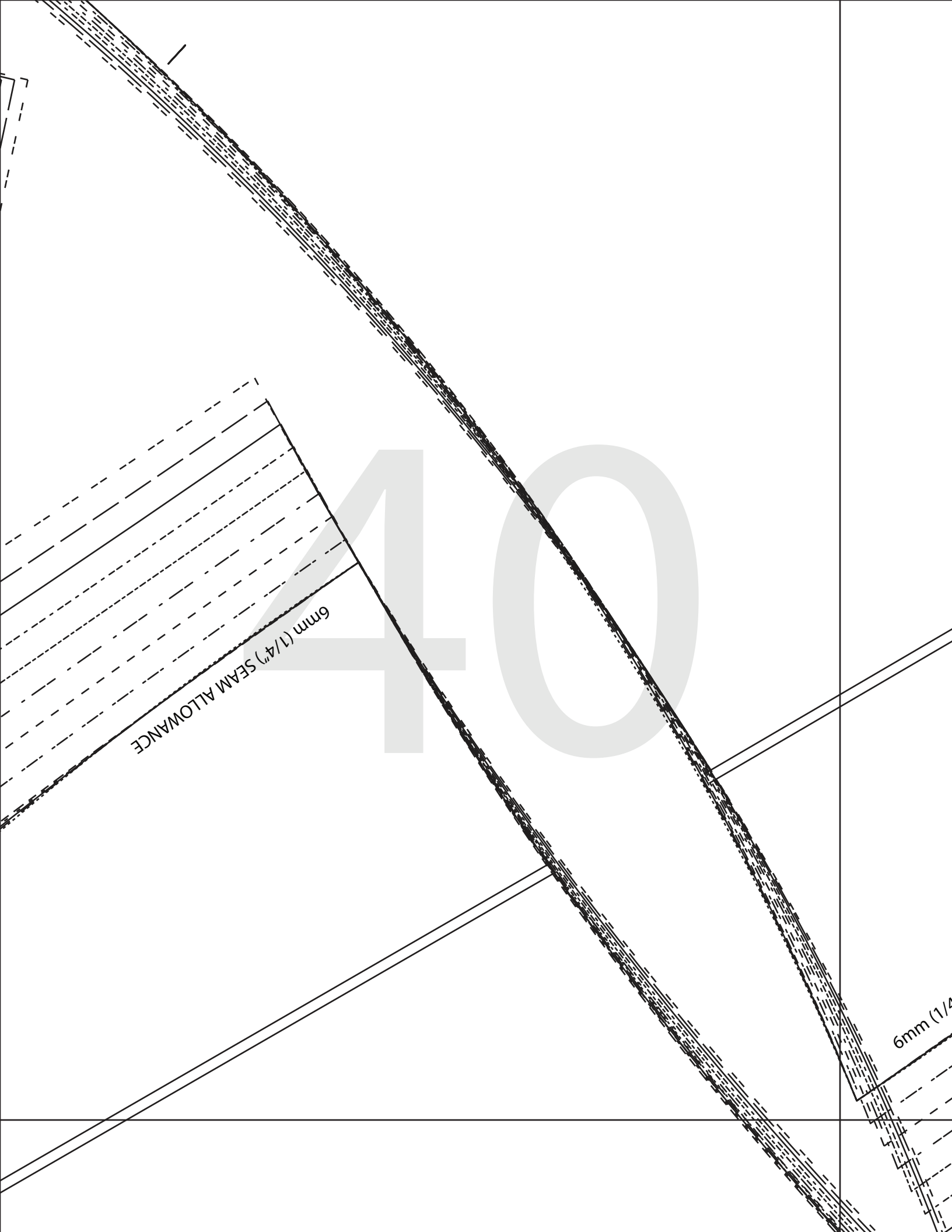
CUT 2 - INTERFACING

(6 mms (1/4") seam allowance unless otherwise stated)



39





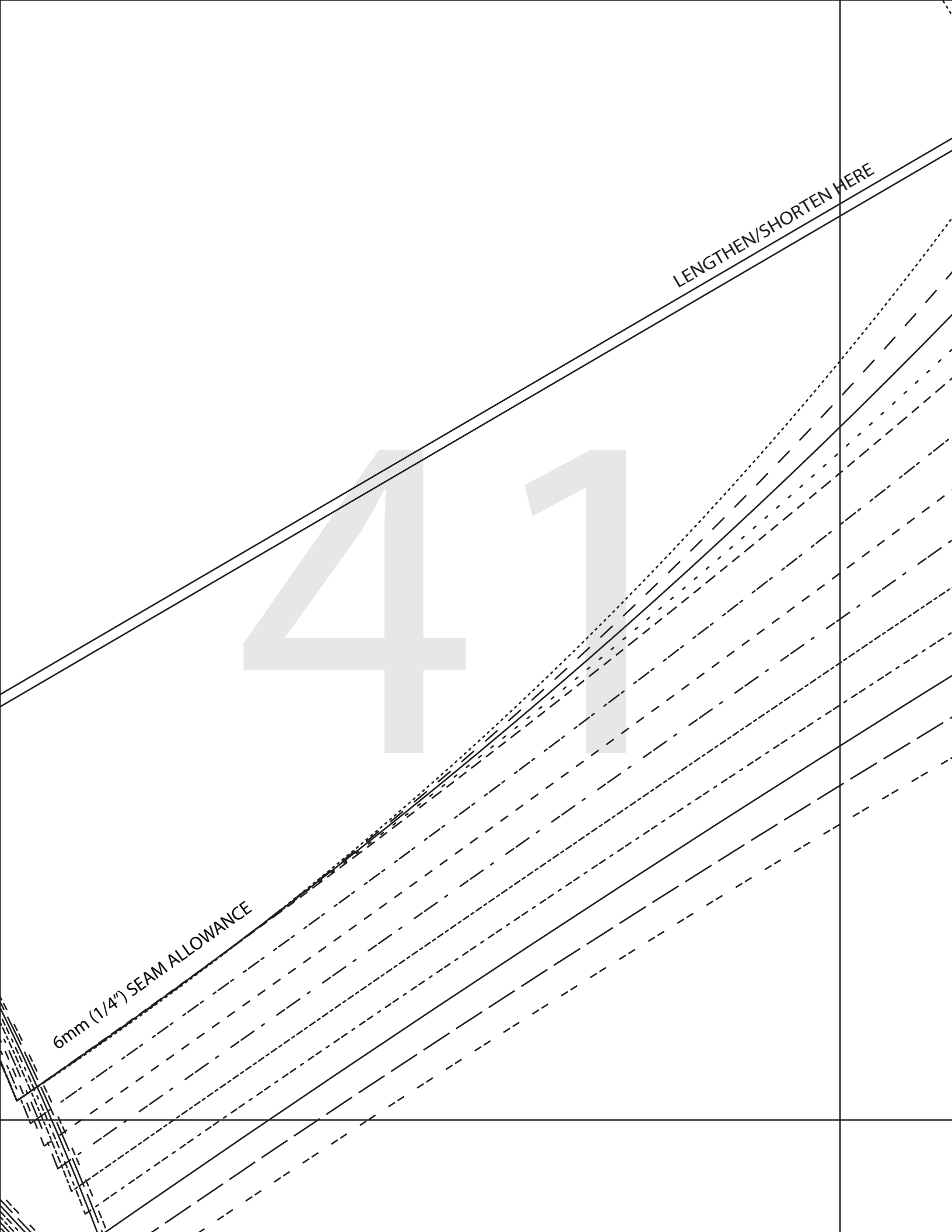
6mm (1/4") SEAM ALLOWANCE

6mm (1/4")

41

LENGTHEN/SHORTEN HERE

6mm (1/4") SEAM ALLOWANCE



HERE

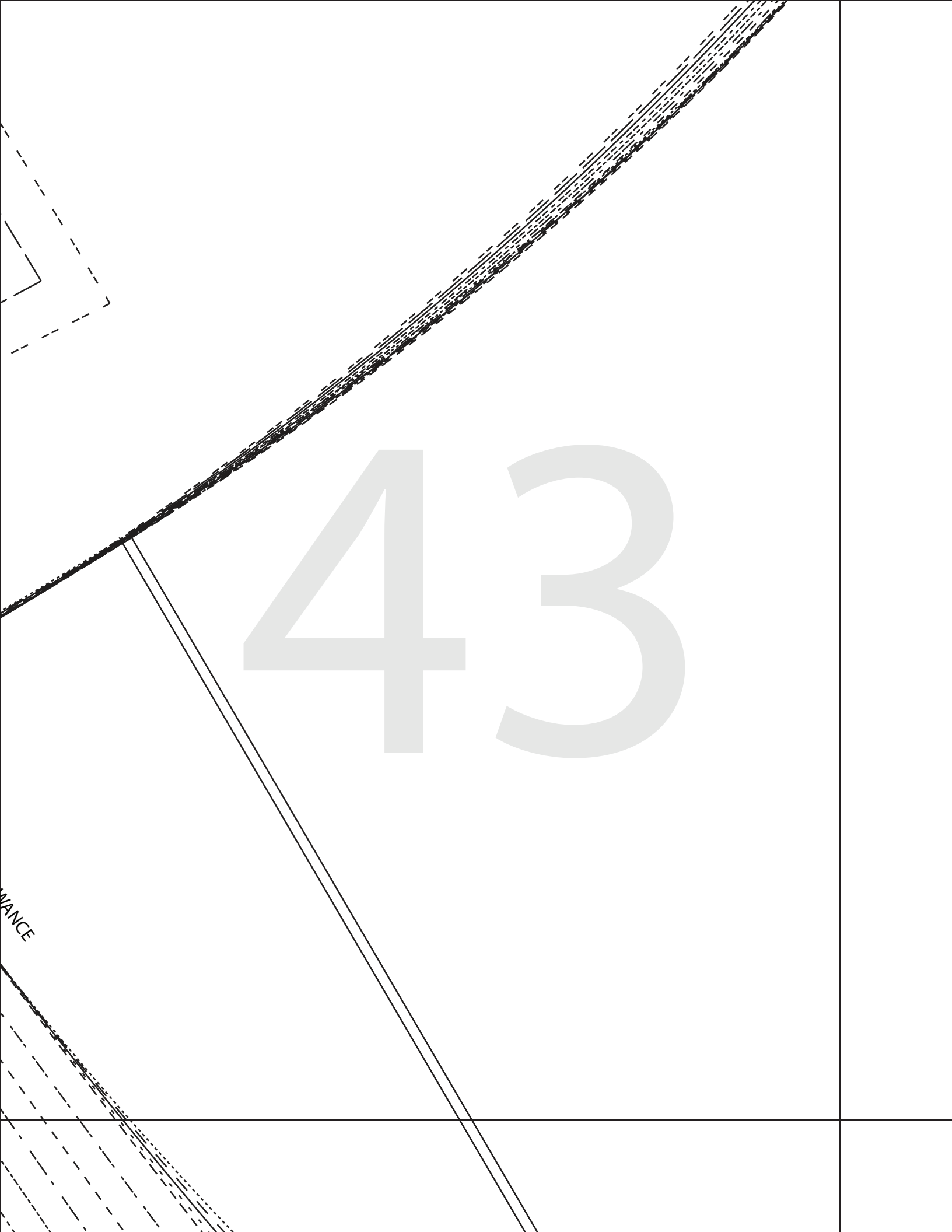
42

6mm (1/4") SEAM ALLOWANCE

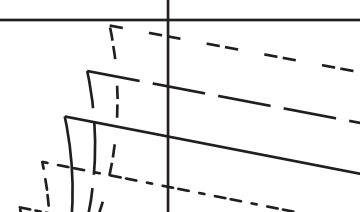
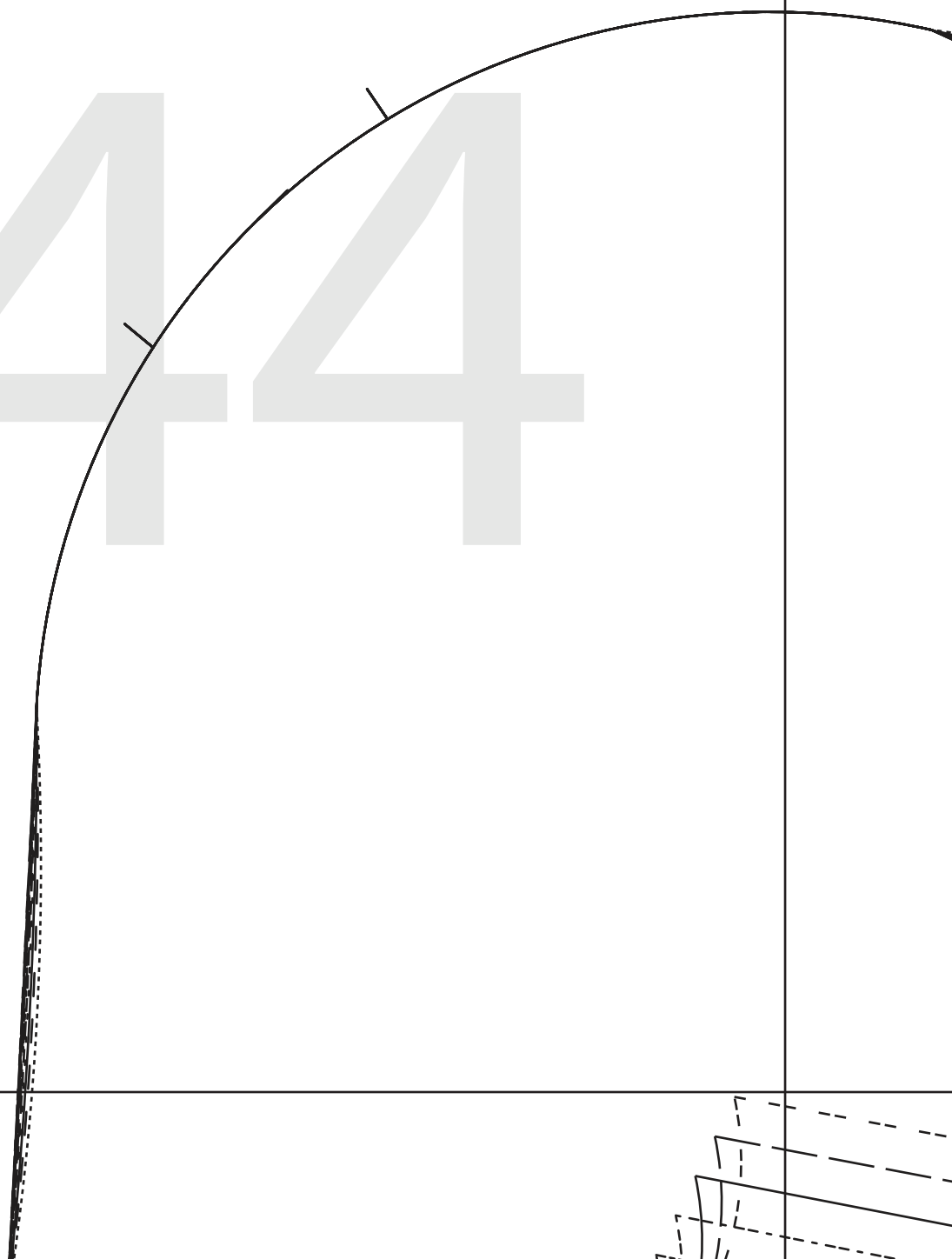
SIZE KEY

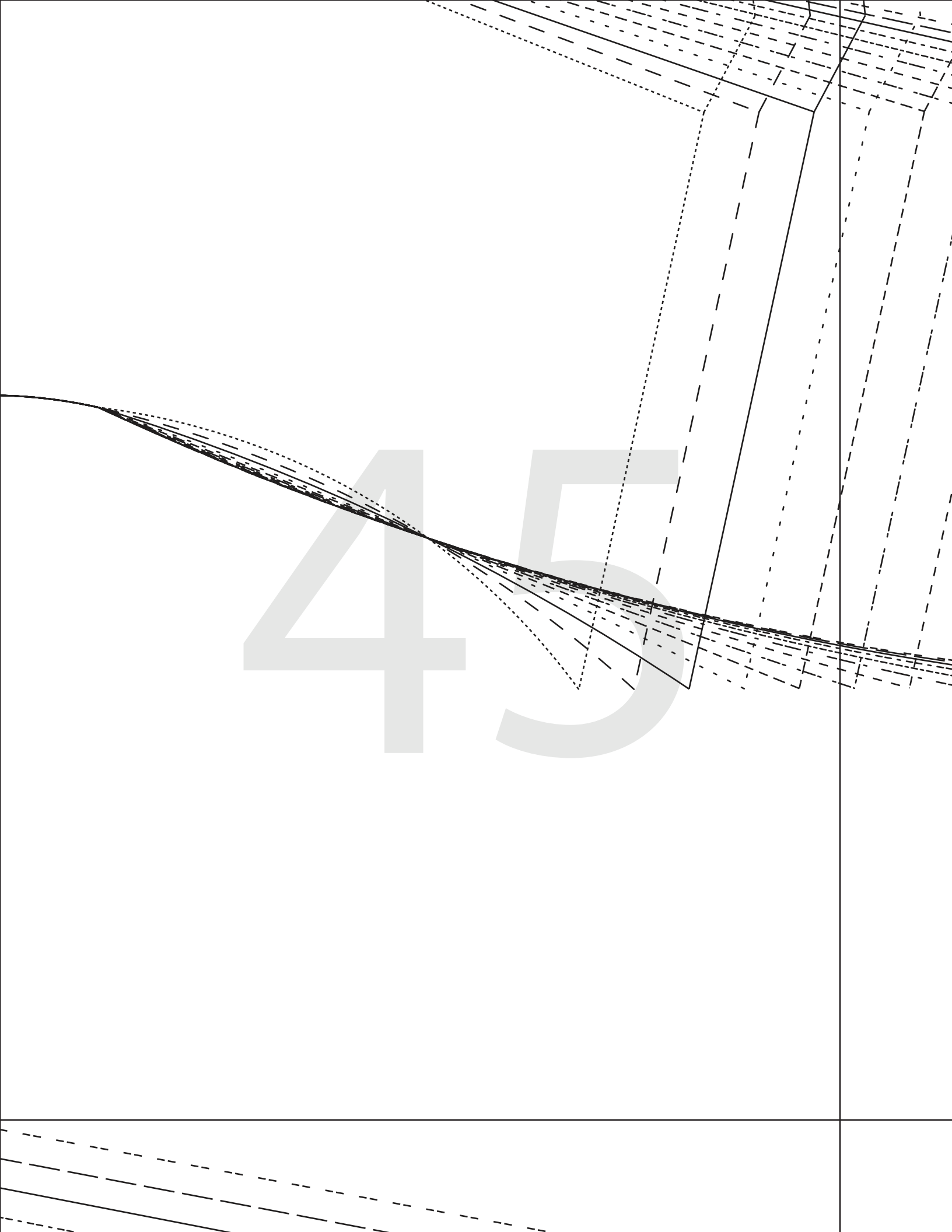
43

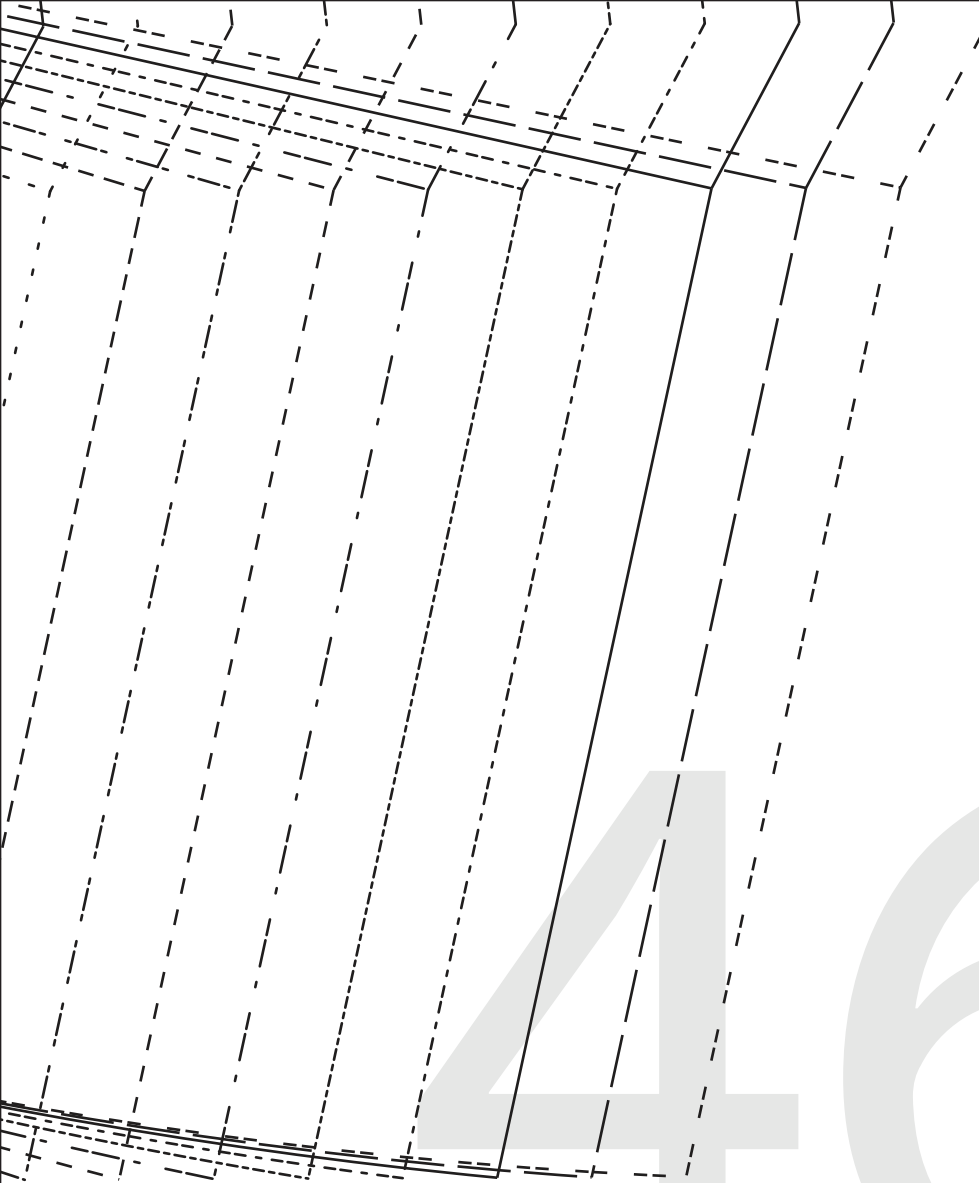
WANCE



44

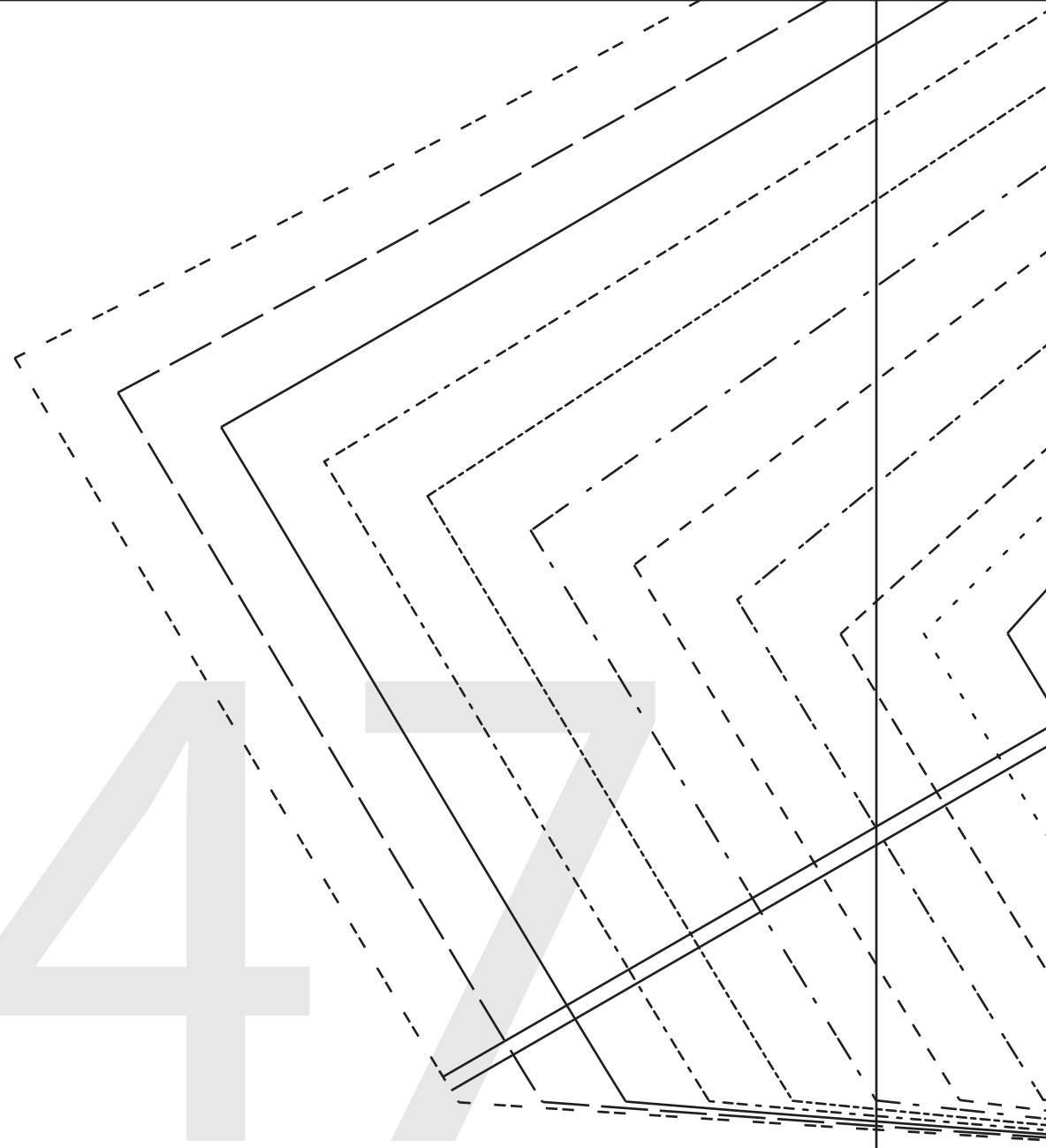






446

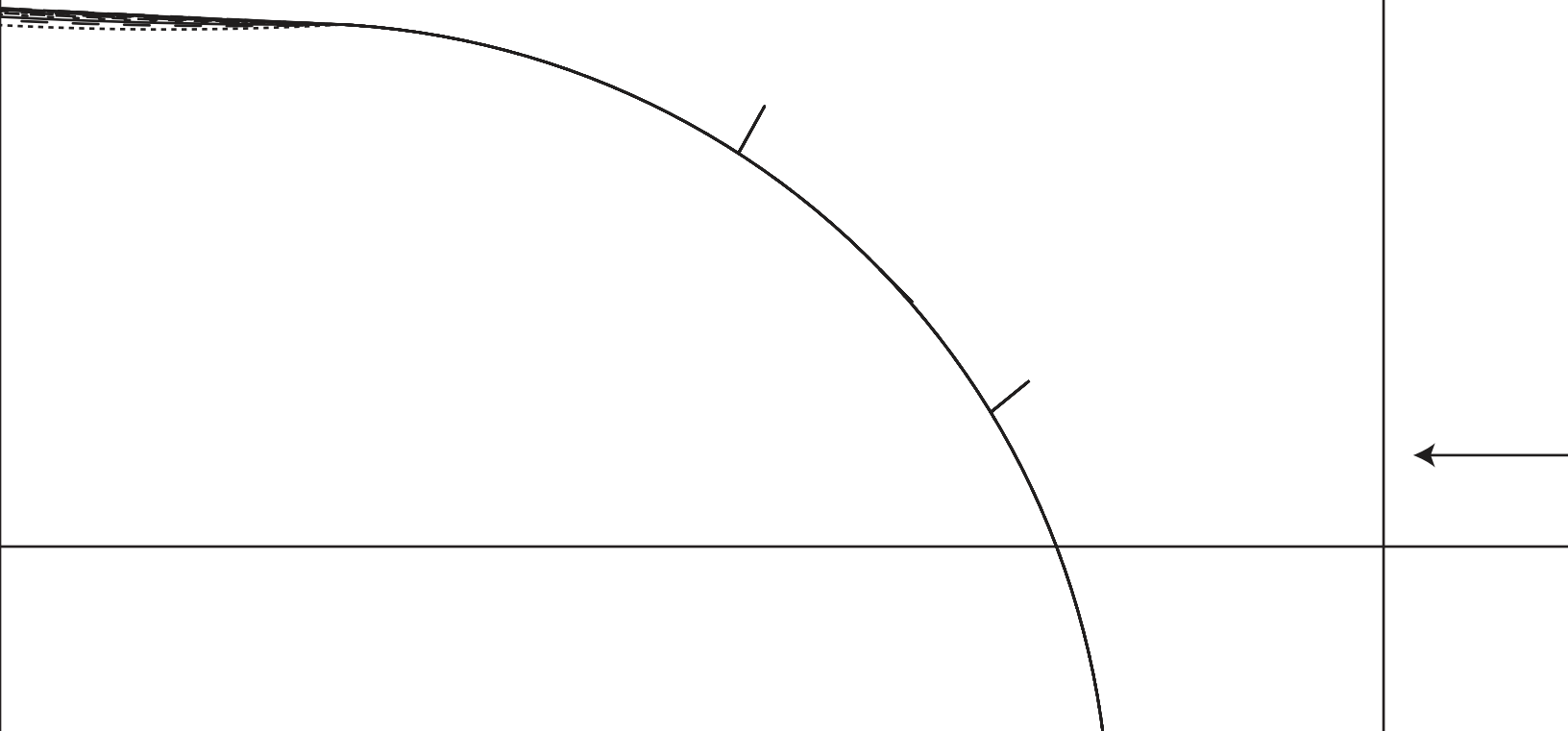
4 7

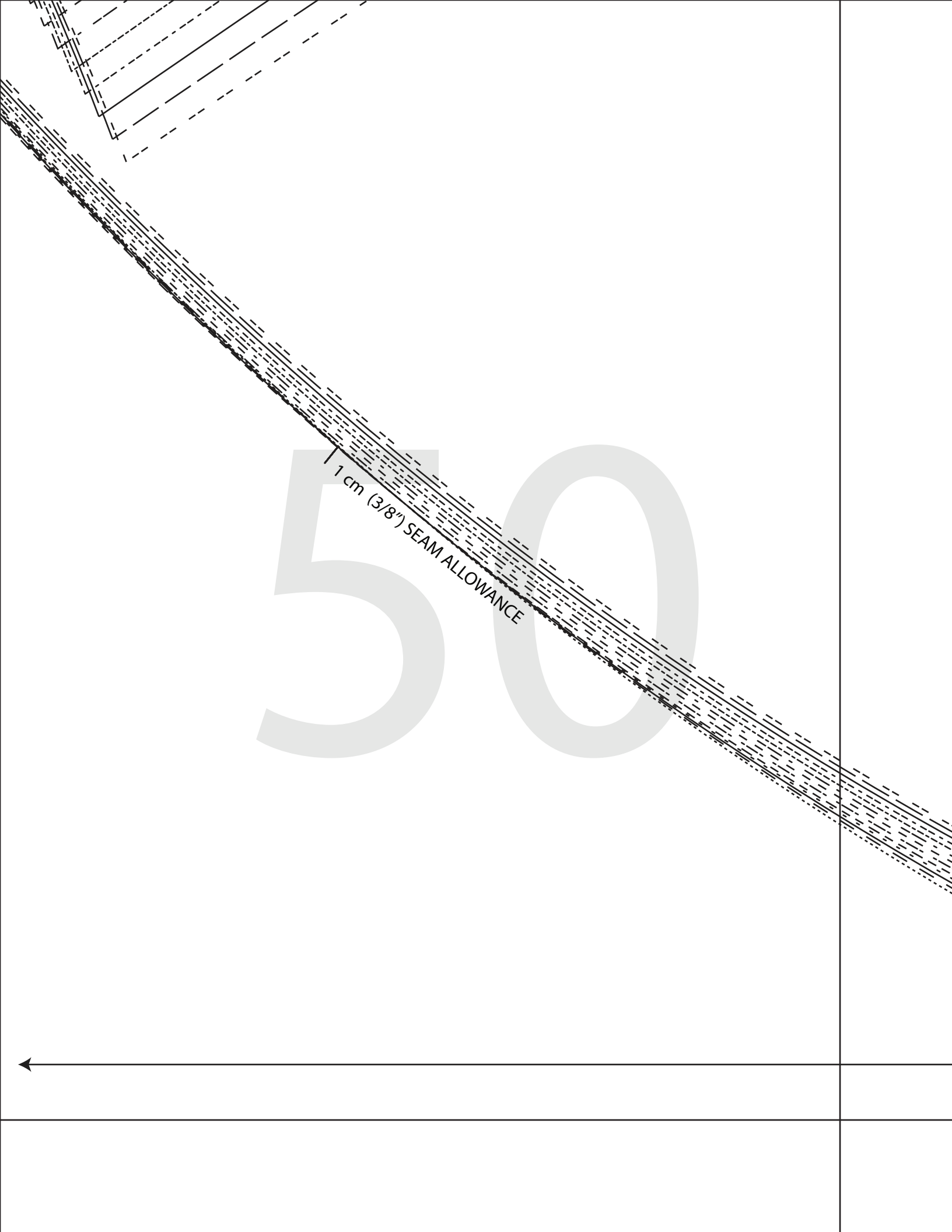


LENGTHEN/SHORTEN HERE

48

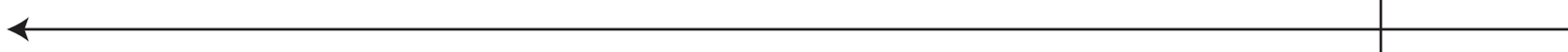
49





1 cm (3/8'') SEAM ALLOWANCE

50



SIZE KEY

1
.....

2 - - - - -
.....

3 _____
.....

4
.....

5 - - - - -
.....

6
.....

7
.....

8
.....

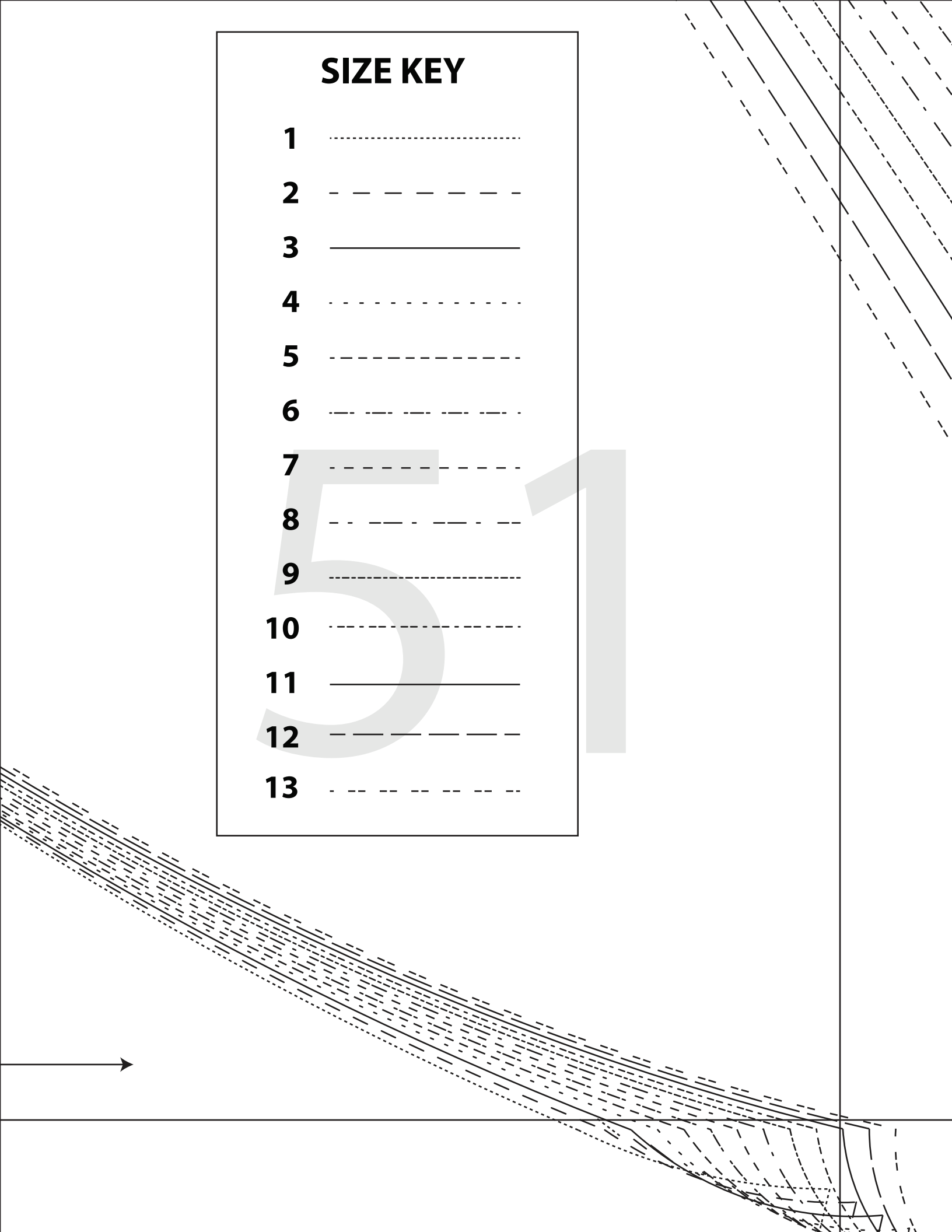
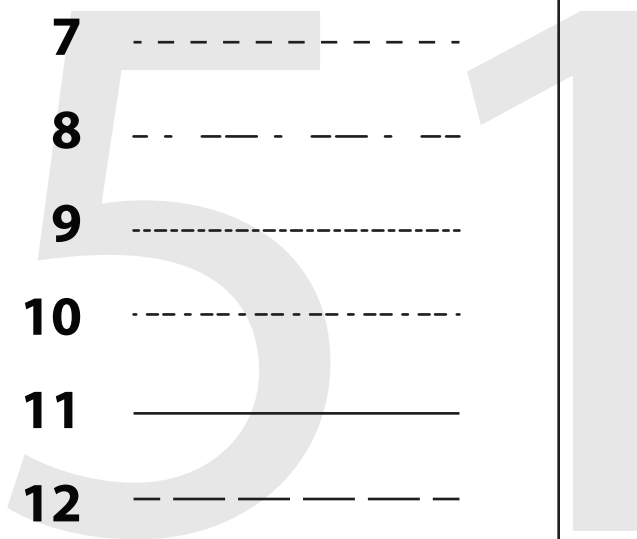
9
.....

10
.....

11 _____
.....

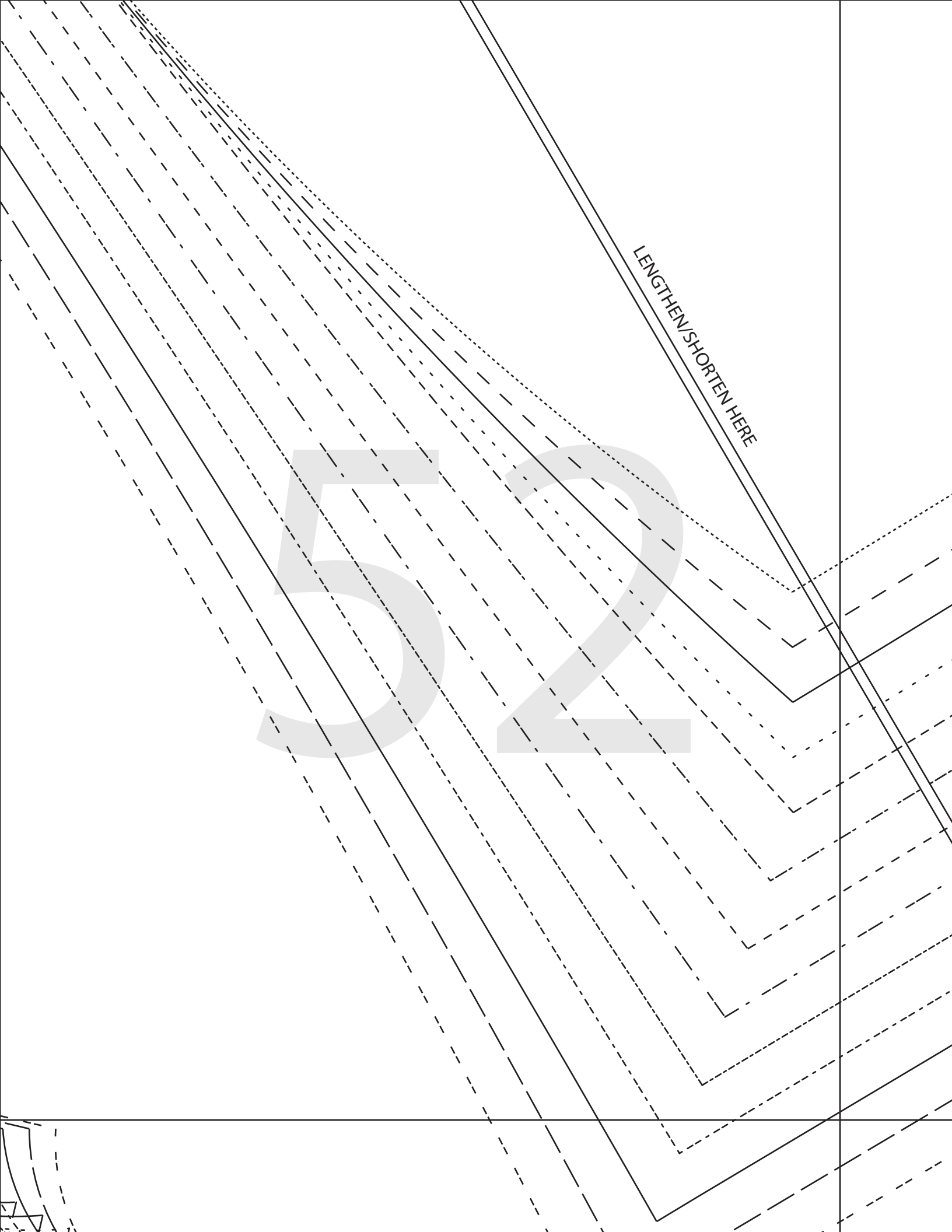
12 - - - - -
.....

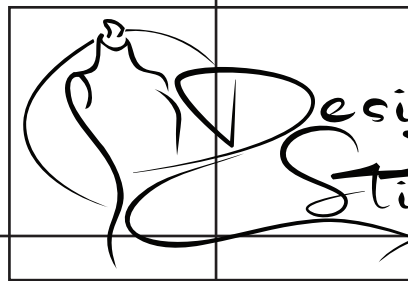
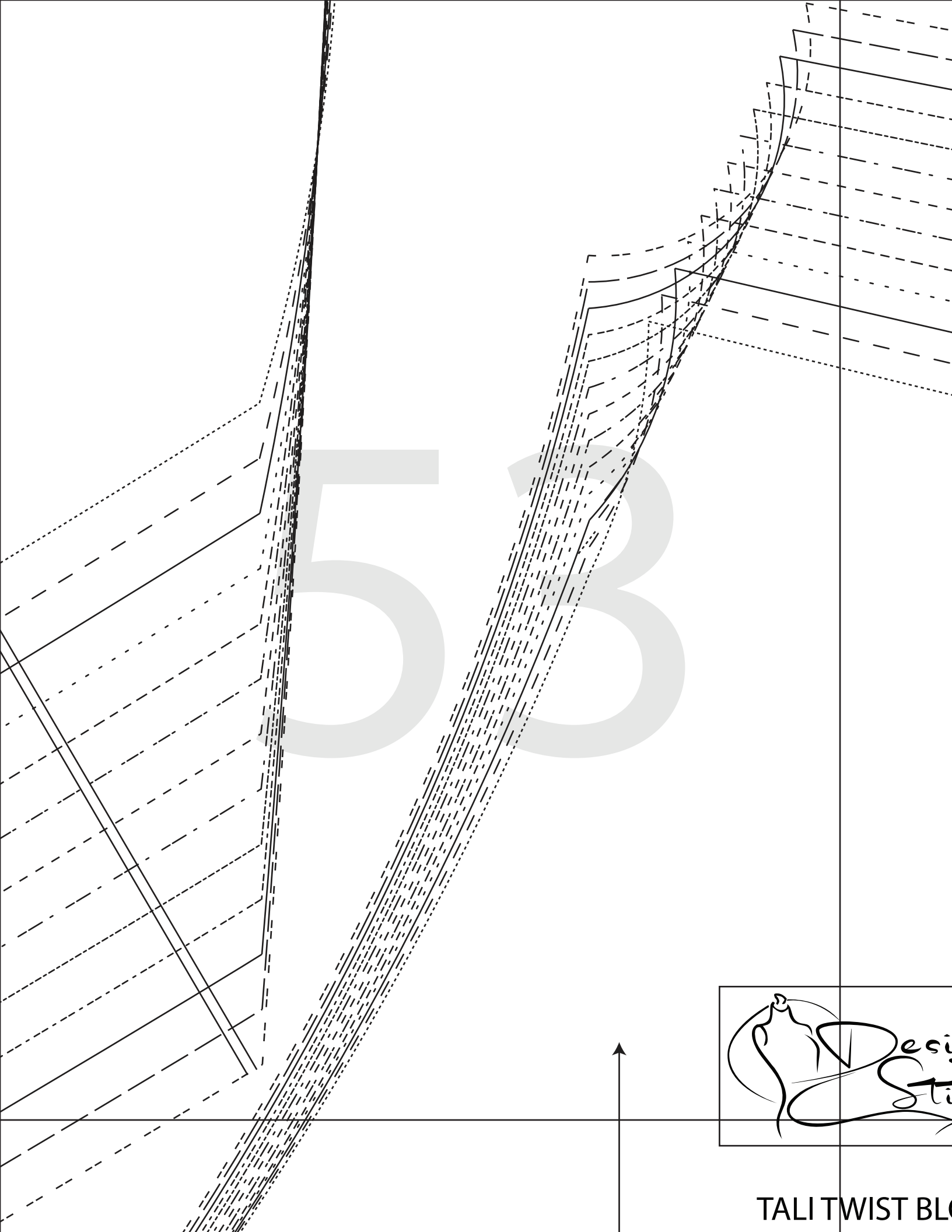
13
.....



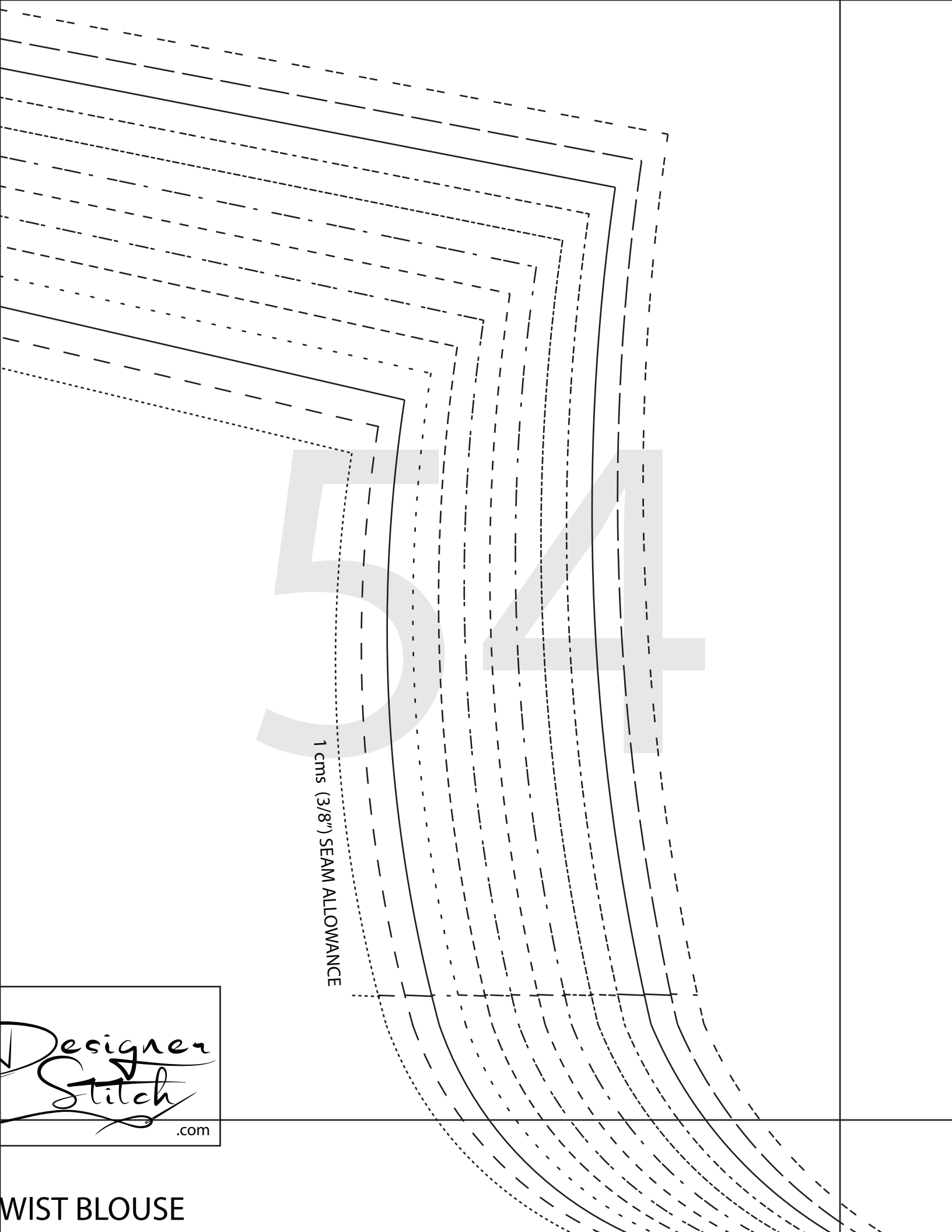
LENGTHEN/SHORTEN HERE

52





TALI TWIST BLOK



54

1 cms (3/8") SEAM ALLOWANCE



WIST BLOUSE

55

TALI TWIST BLOUSE
#0823

6

FRONT HEM FACING
CUT 2 - MAIN/INTERFACING
(6 mms (1/4") seam allowance unless otherwise stated)



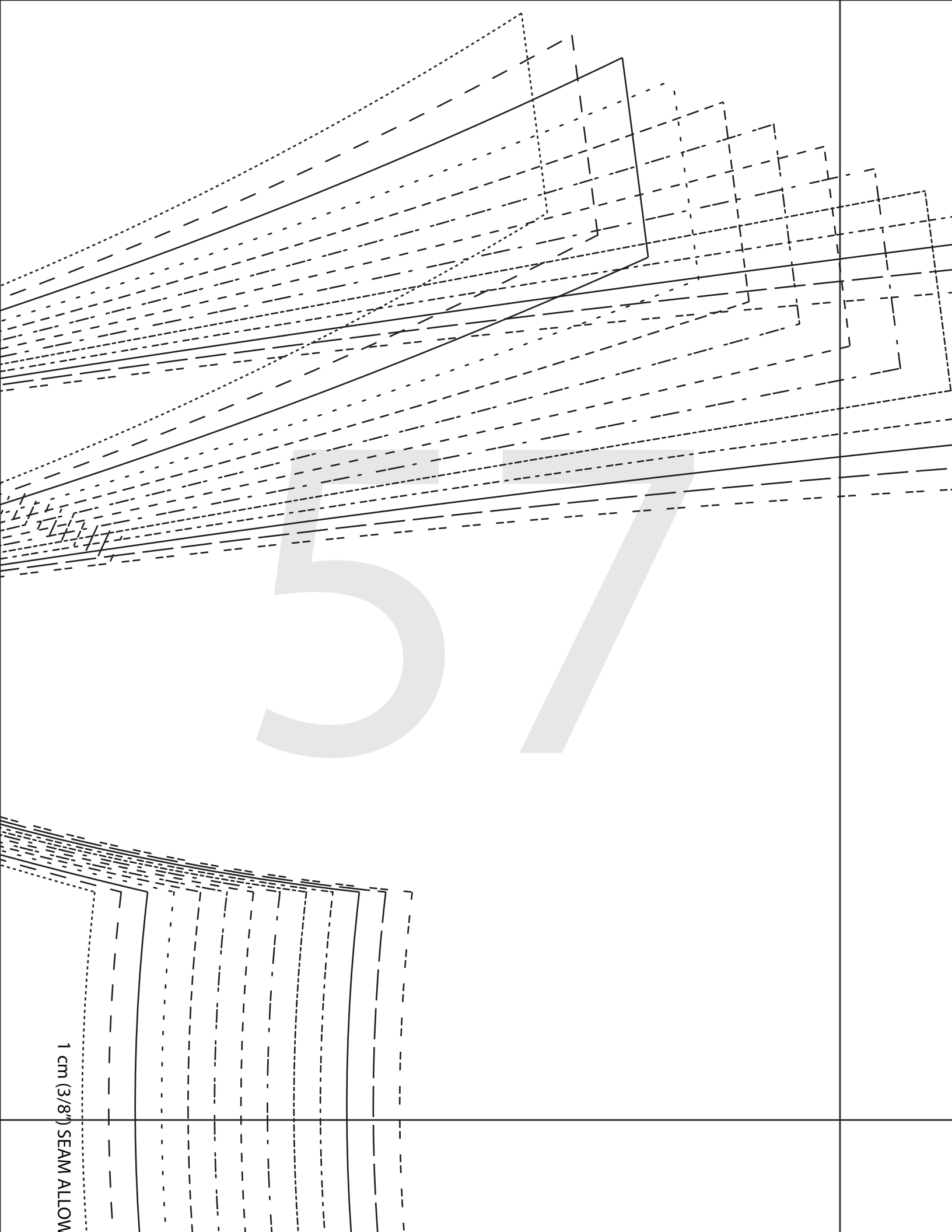
1 cm (3/8") SEAM ALLOWANCE

6 mms (1/4") SEAM ALLOWANCE



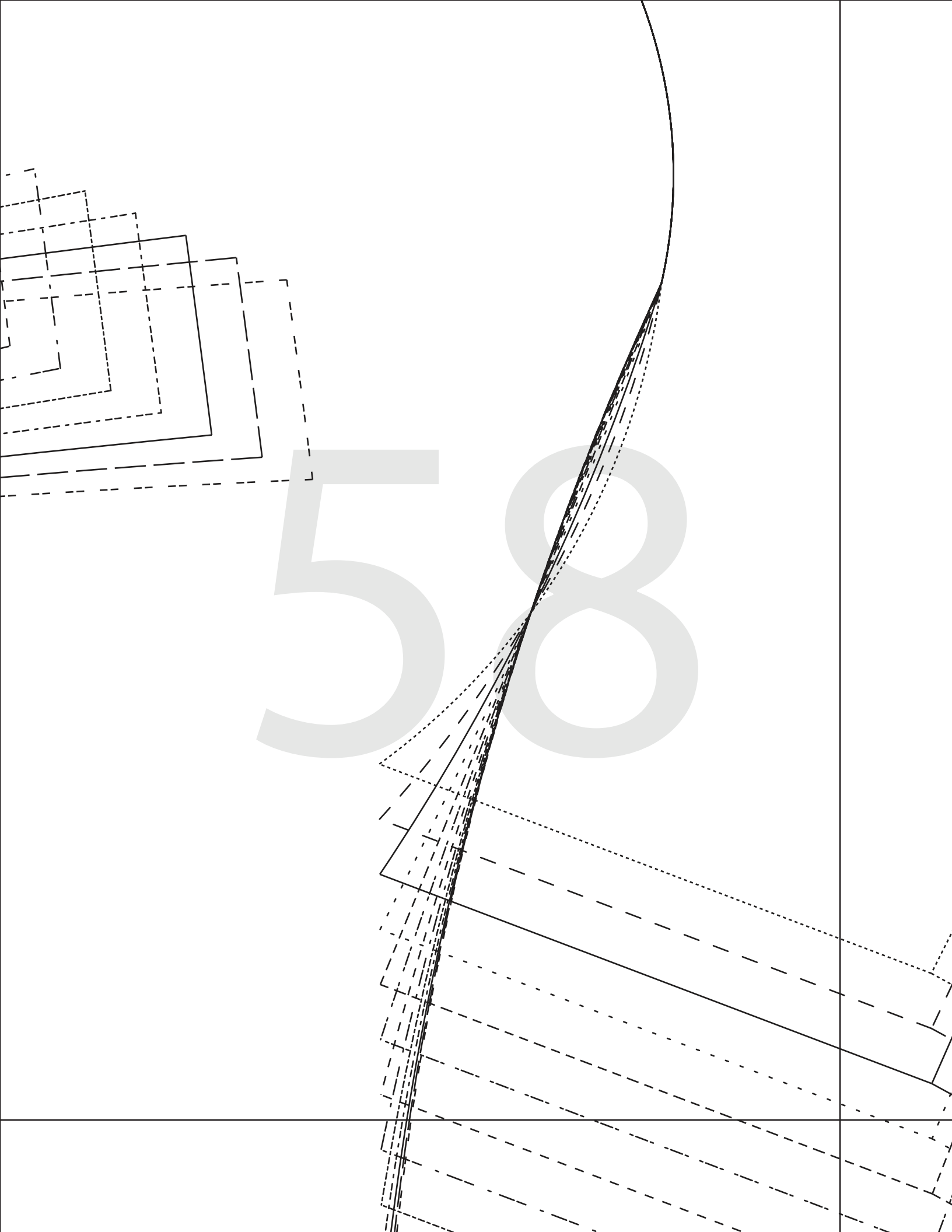
1 cm (3/8") SEAM ALLOWANCE

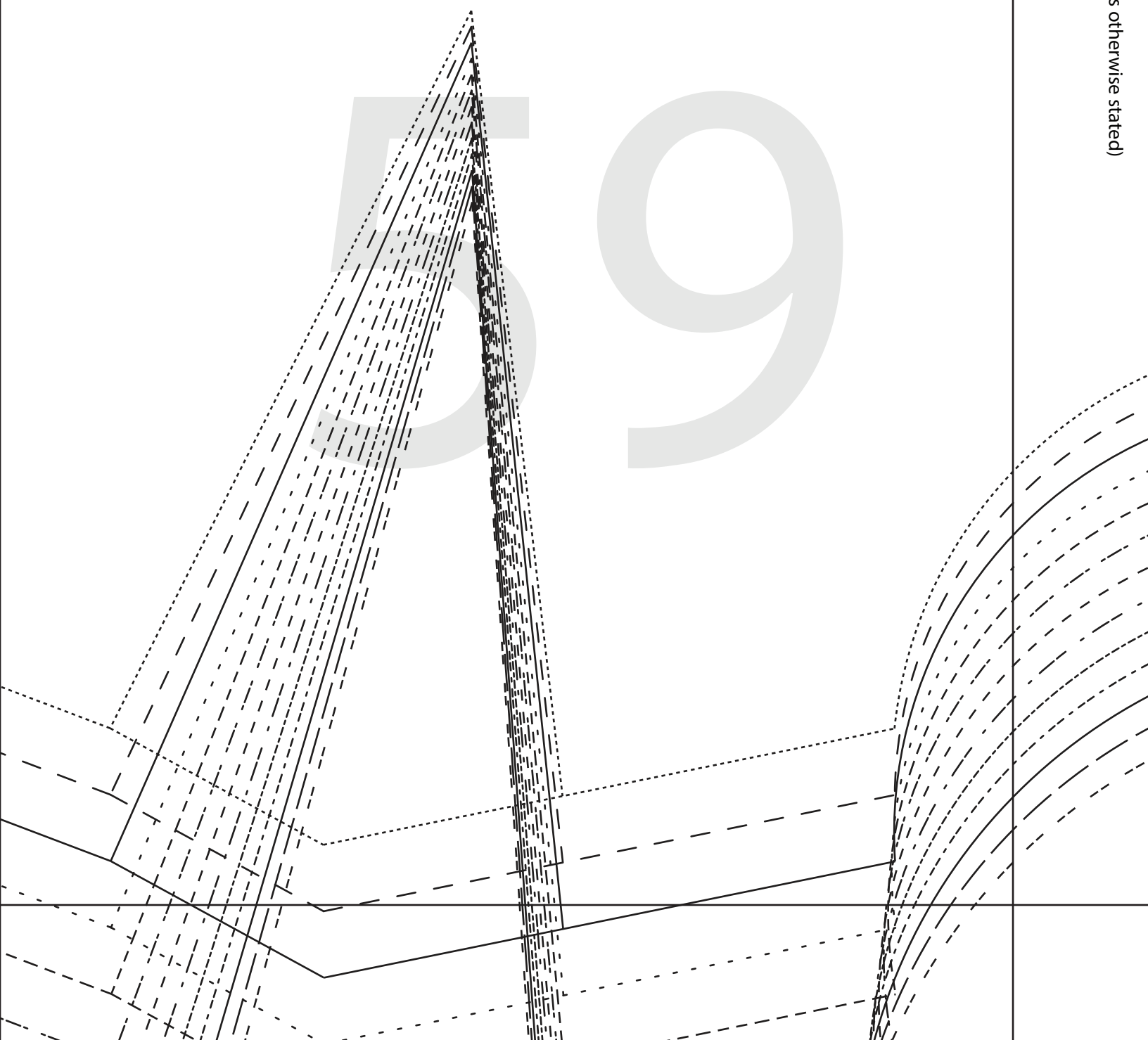
TALI TWIST BLOUSE
#0823

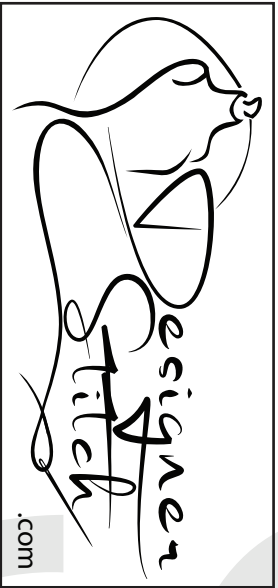


57

1 cm (3/8") SEAM ALLOW







TALITWIST BLOUSE

#0823

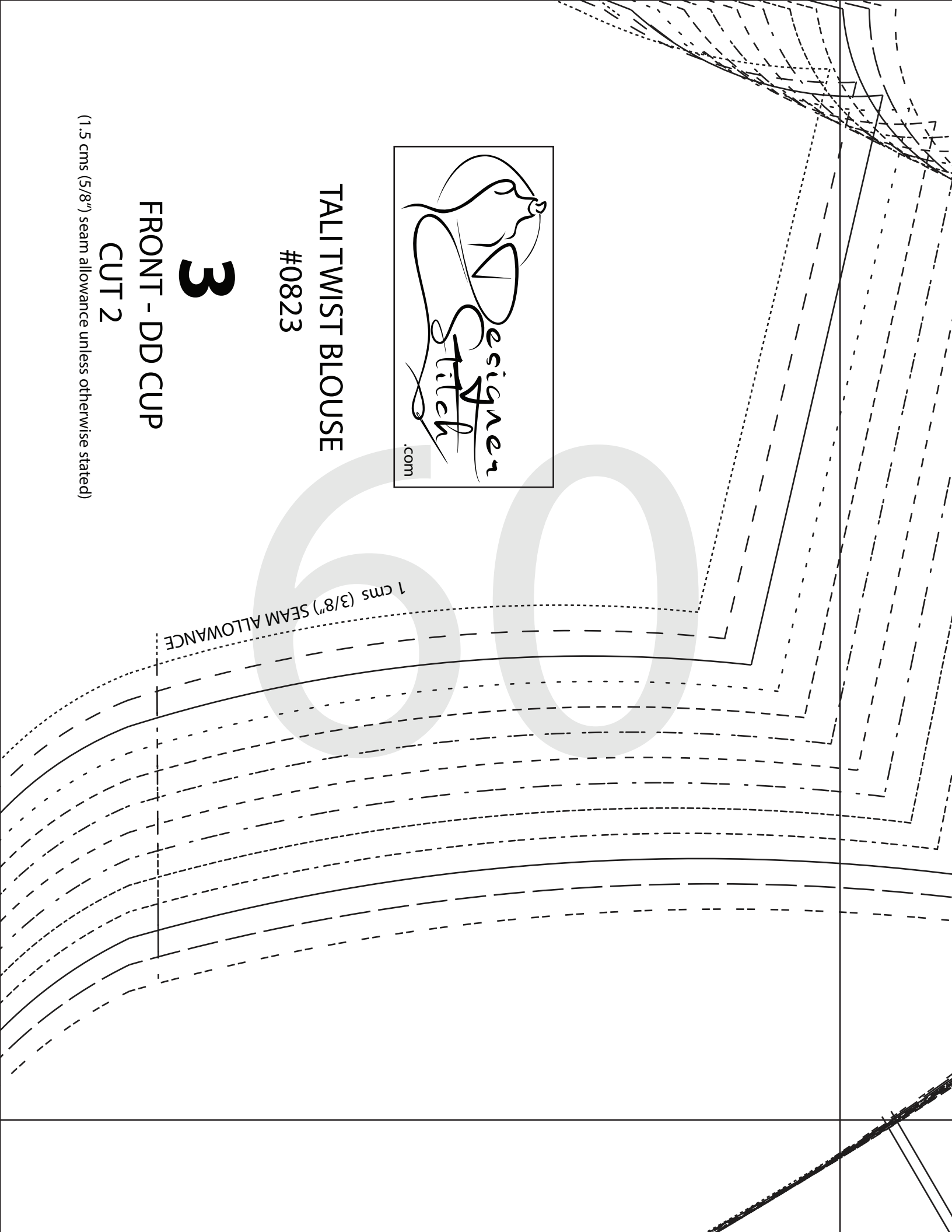
3

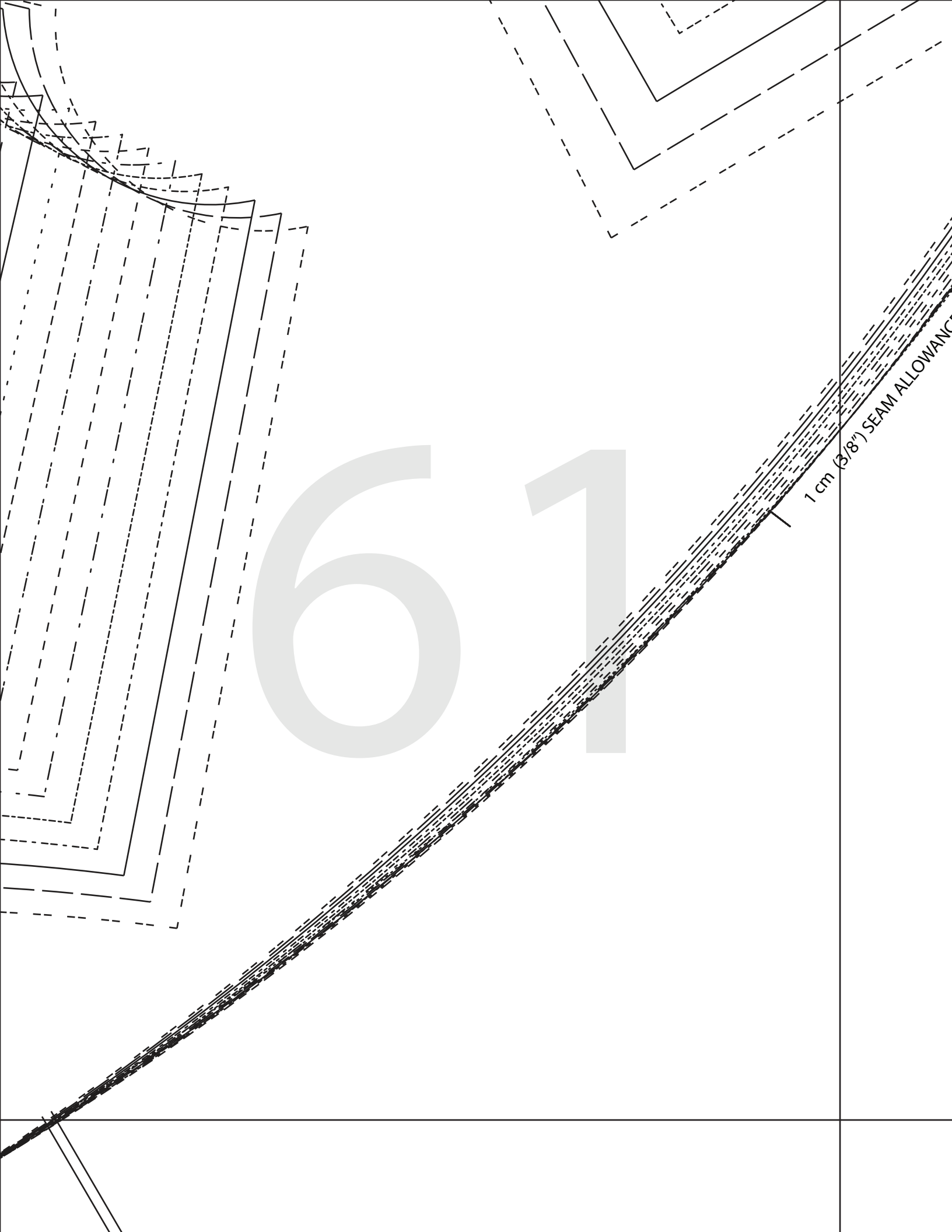
FRONT - DD CUP

CUT 2

(1.5 cms (5/8") seam allowance unless otherwise stated)

1 cms (3/8") SEAM ALLOWANCE





61

1 cm (3/8") SEAM ALLOWANCE

TALI TWIST BLO
#0823

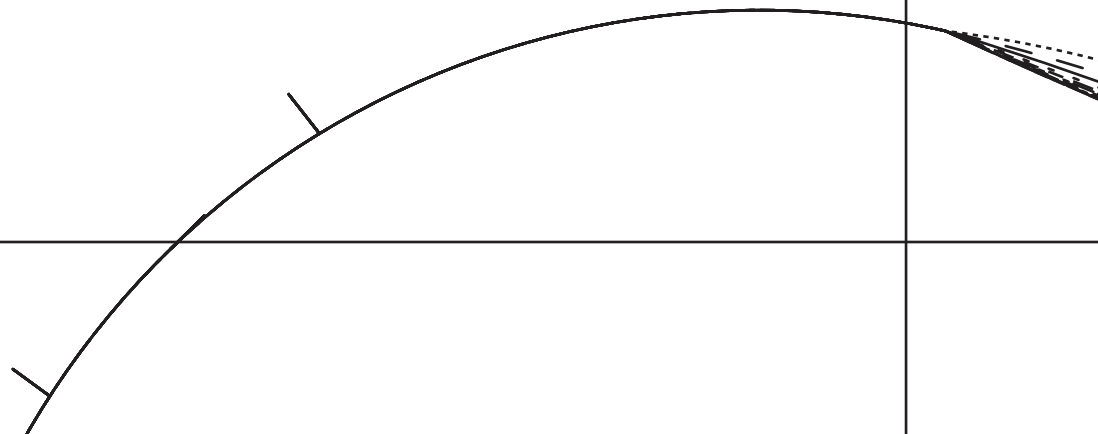
3

FRONT - D CU
CUT 2

(1.5 cms (5/8") seam allowance unless

(5/8") SEAM ALLOWANCE

62



WIST BLOUSE

0823

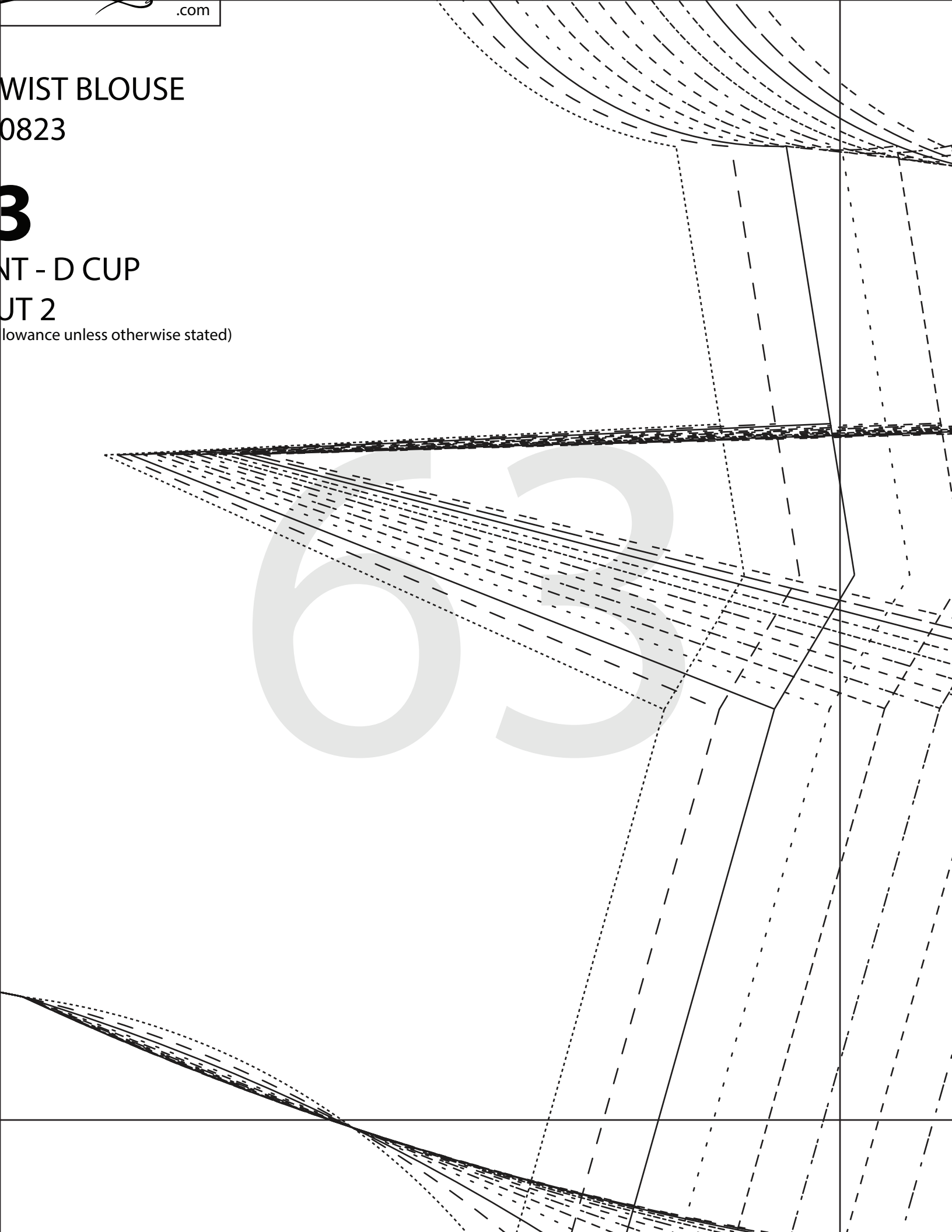
B

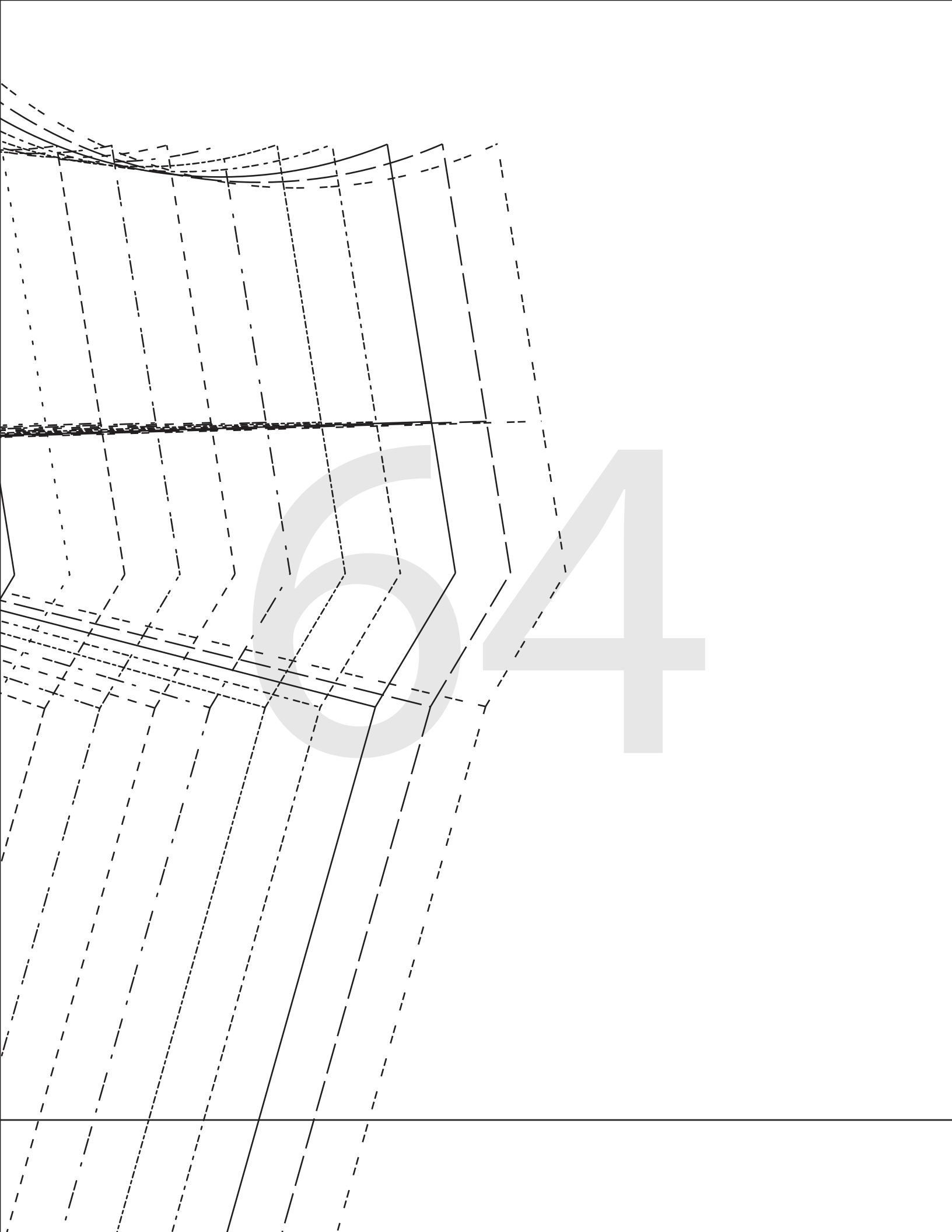
NT - D CUP

UT 2

(allowance unless otherwise stated)

653





TALI TWIST BLOUSE

#0823

2

BACK YOKE

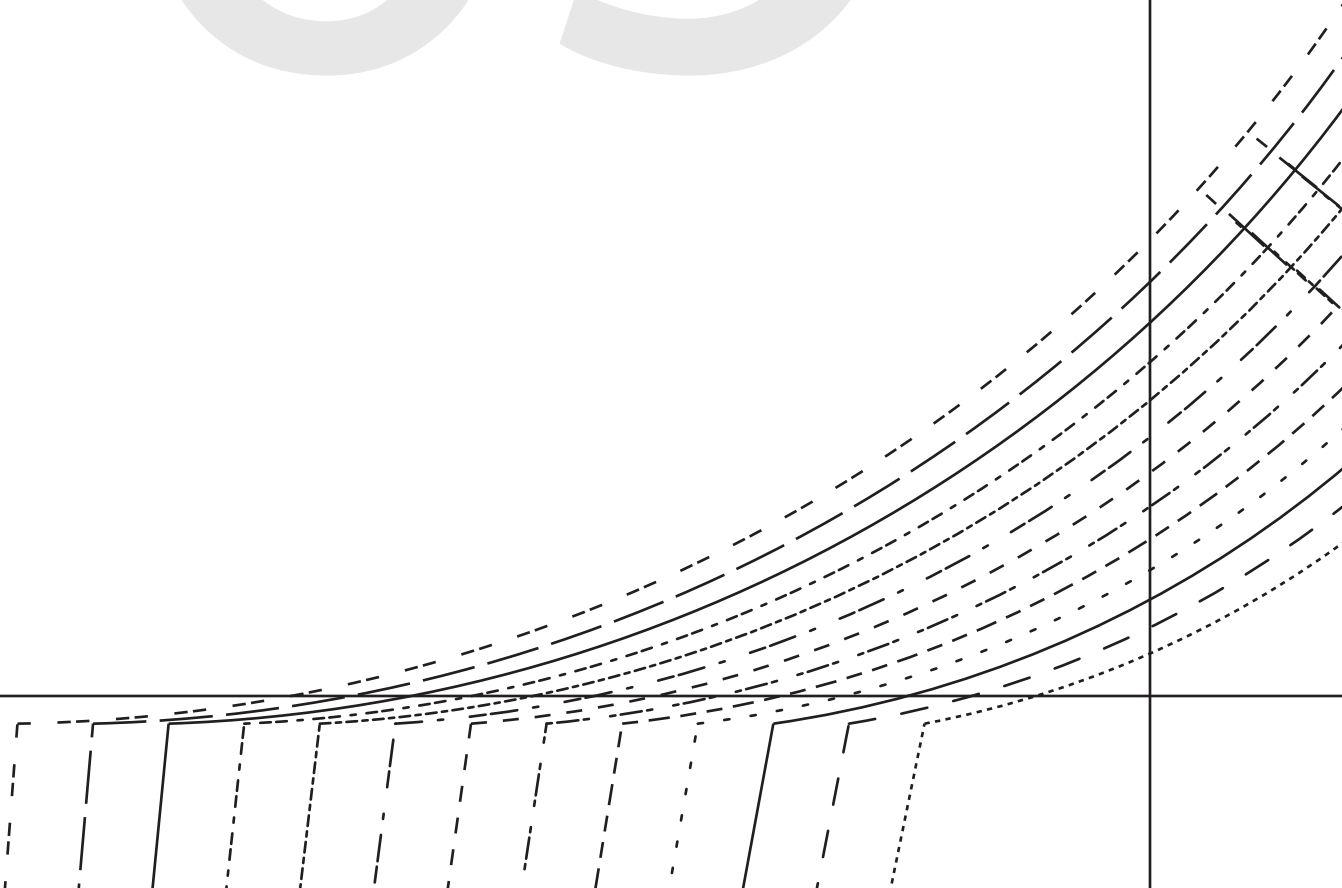
CUT 2 FOLD

(1.5 cms (5/8") seam allowance unless otherwise stated)

SEAM ALLOWANCE

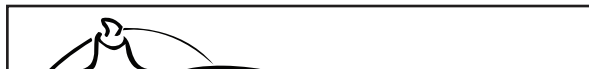
1 cm (3/8") SEAM ALLOWANCE

65

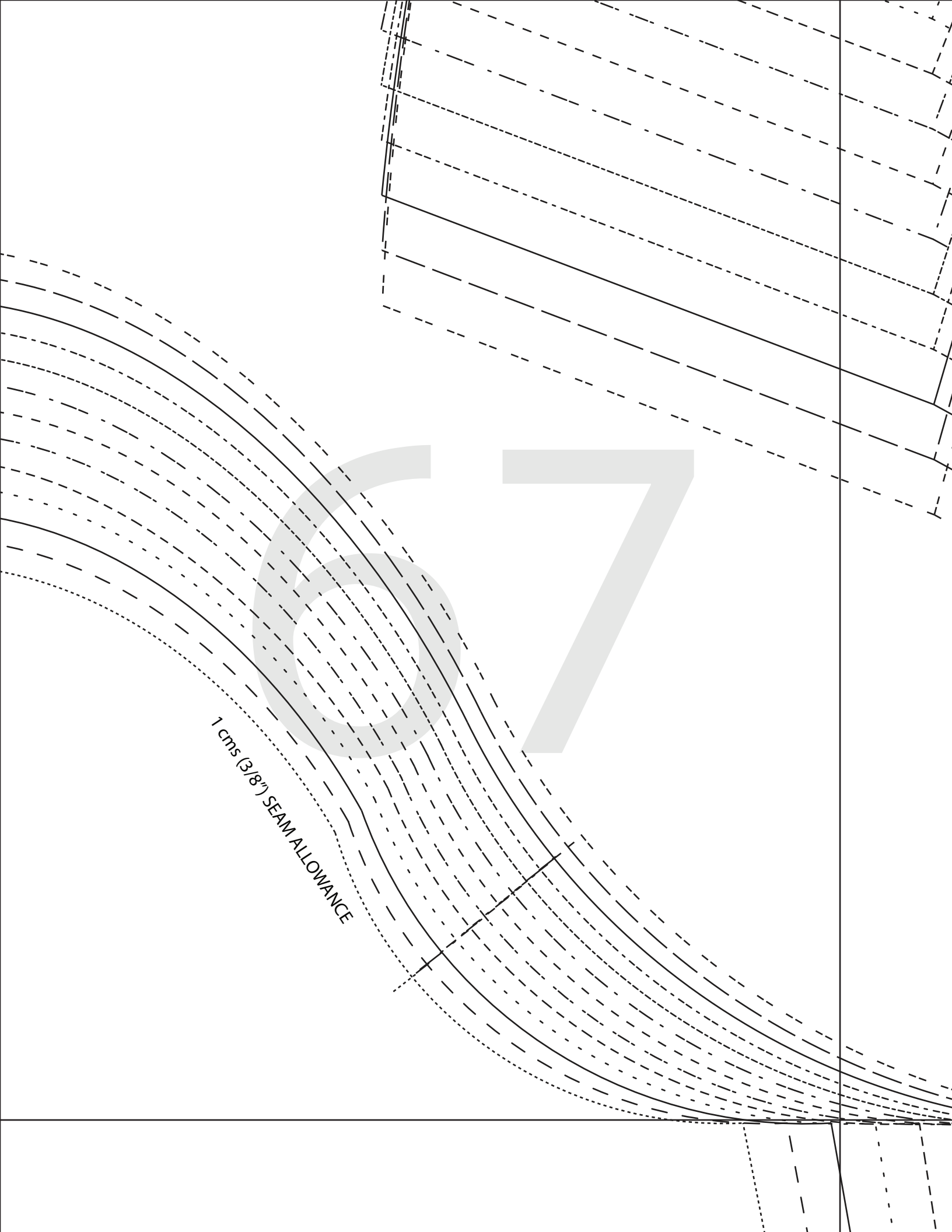
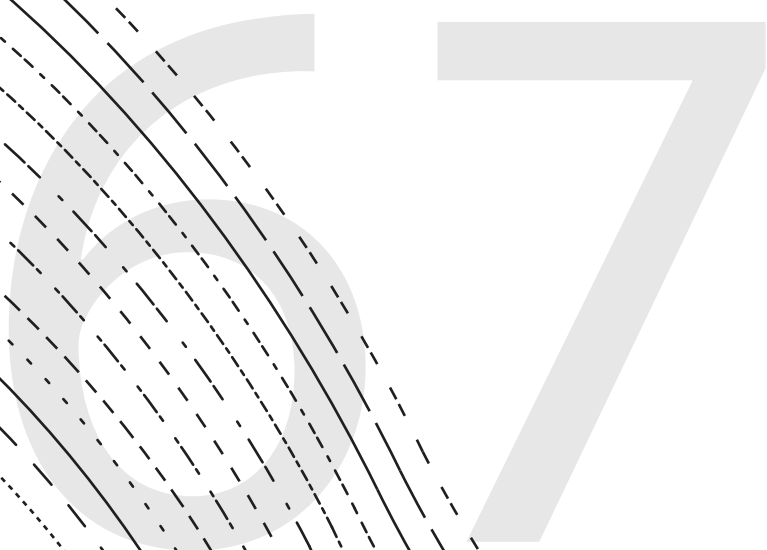


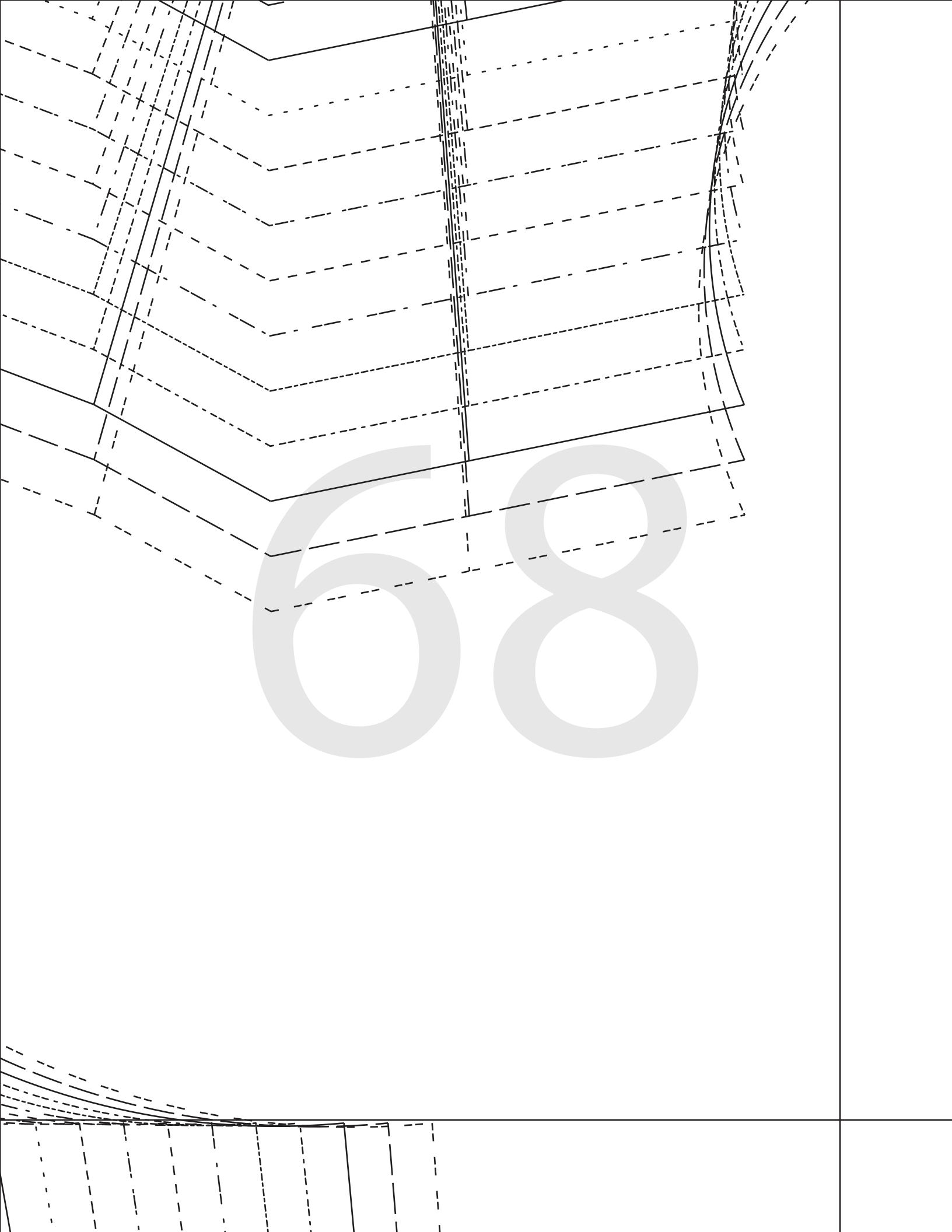
SEAM ALLOWANCE

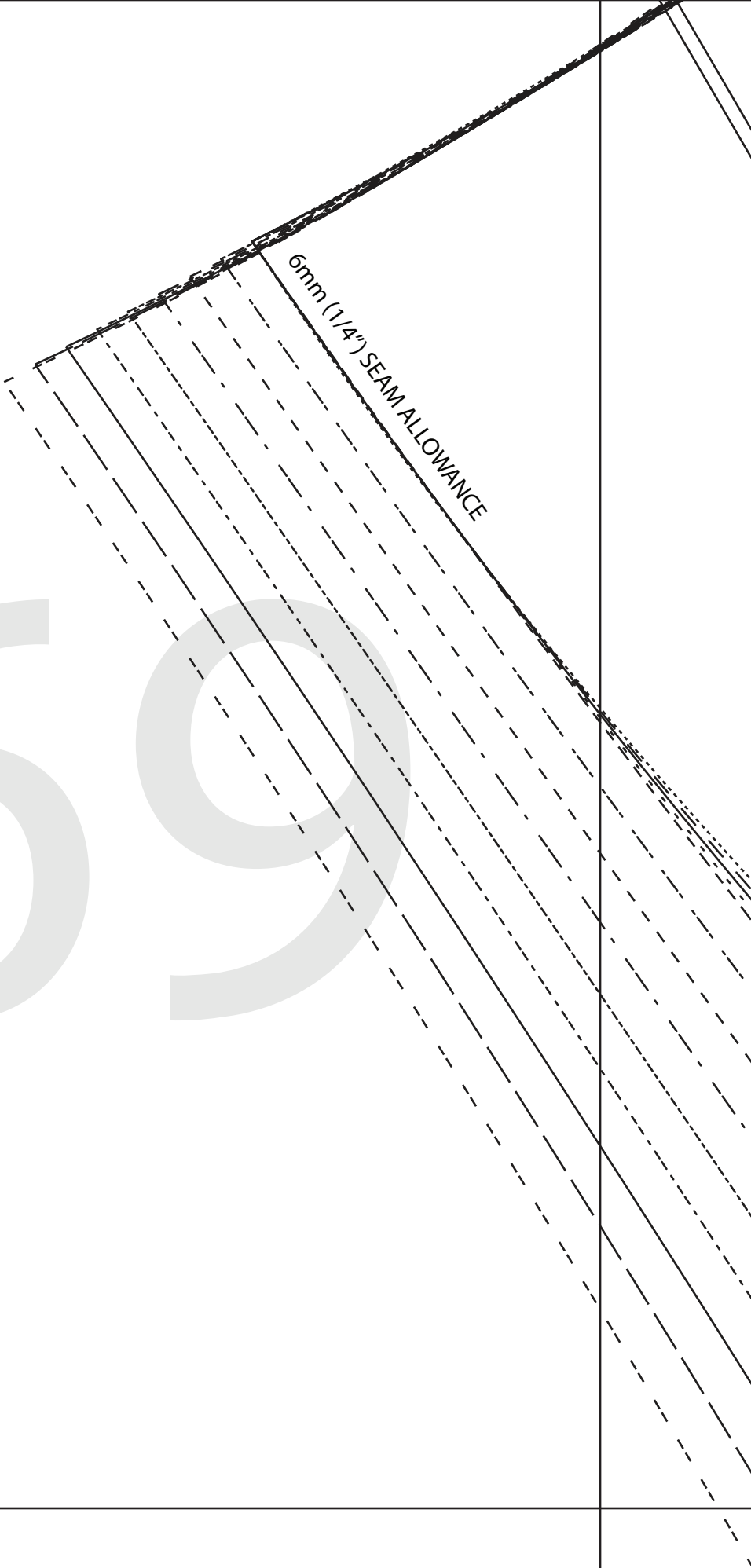
1 cms (3/8") SEAM ALLOWANCE



1 cms (3/8") SEAM ALLOWANCE



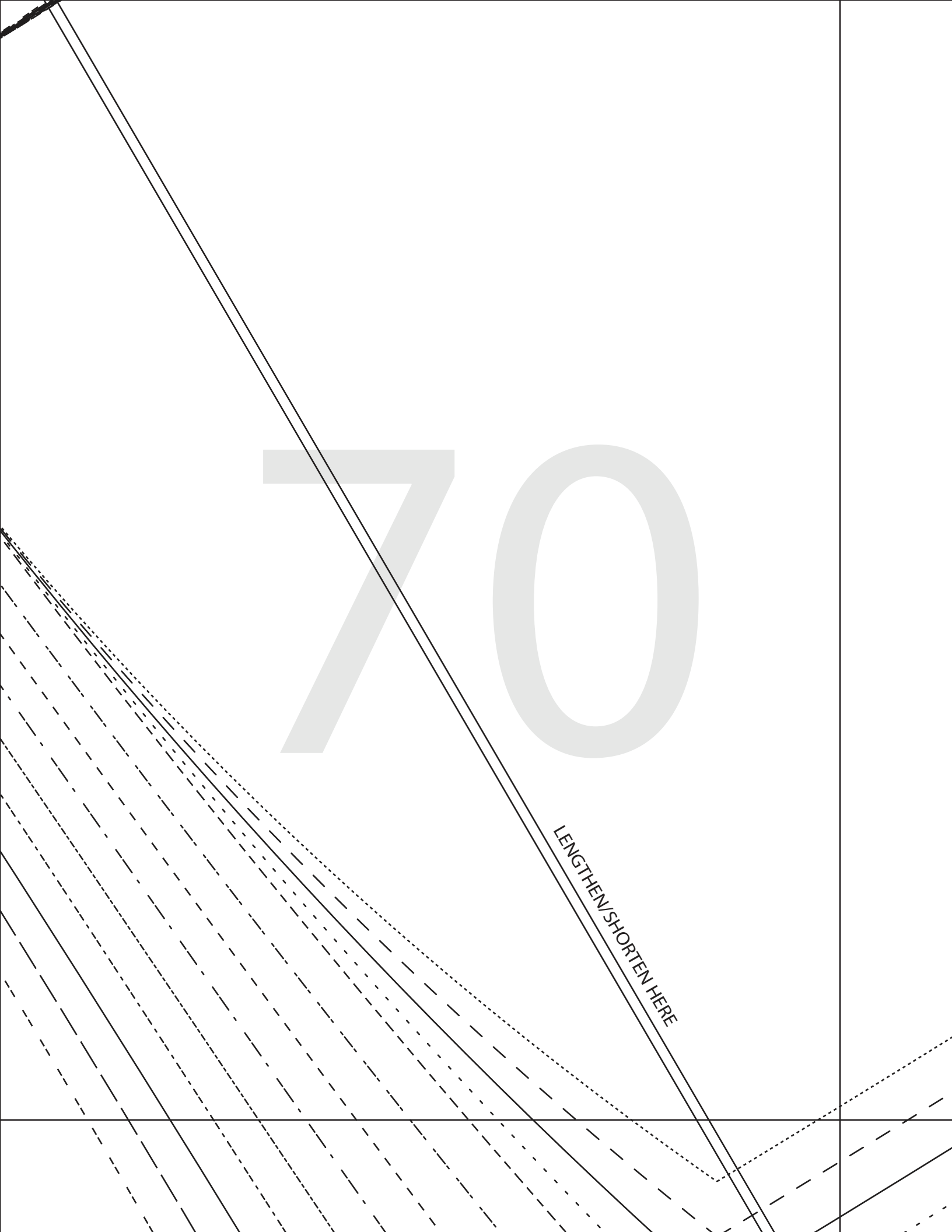


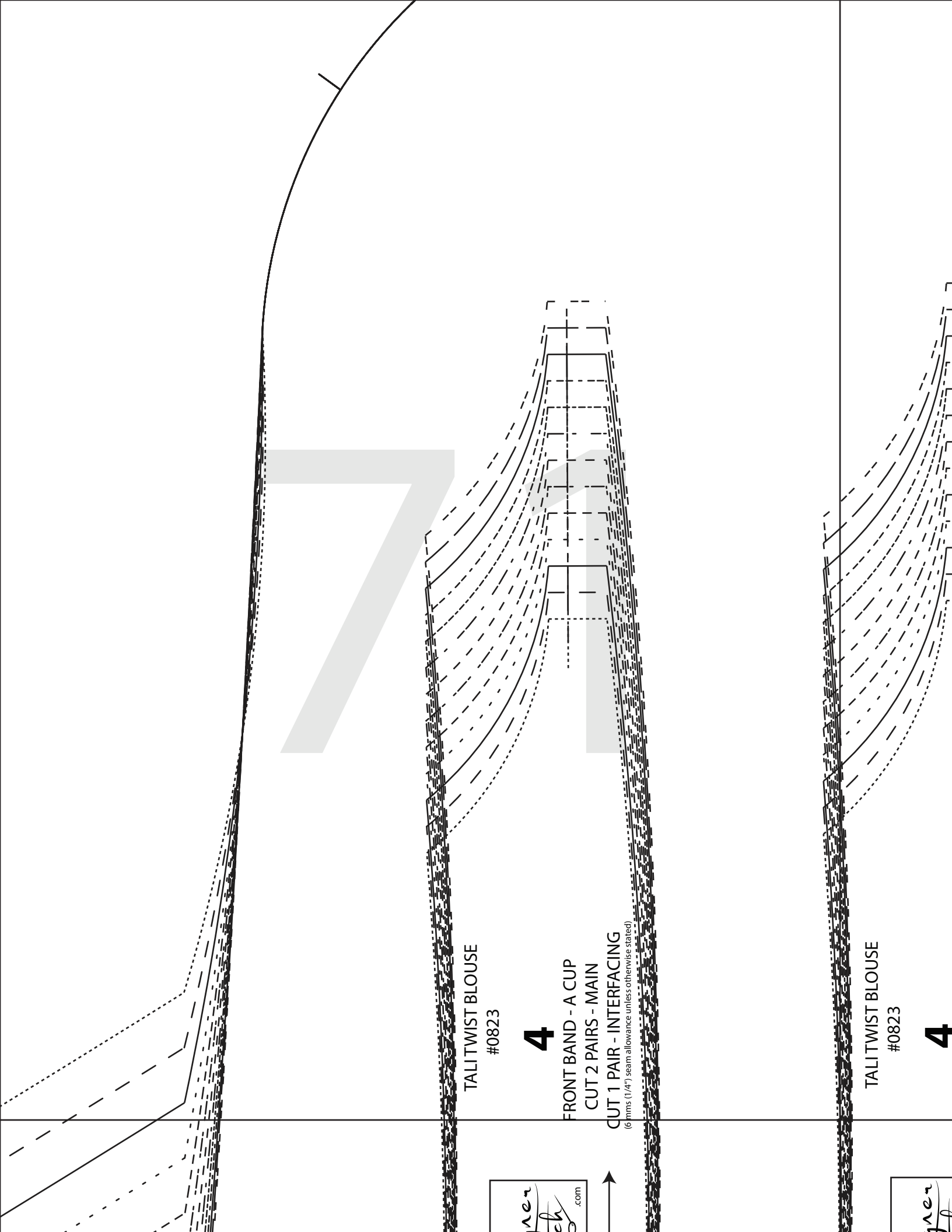


69

70

LENGTHEN/SHORTEN HERE





TALITWIST BLOUSE
#0823

4

FRONT BAND - A CUP
CUT 2 PAIRS - MAIN
CUT 1 PAIR - INTERFACING
(6 mm (1/4") seam allowance unless otherwise stated)

TALITWIST BLOUSE
#0823

4



TALITWIST BLOUSE

#0823

4

FRONT BAND - B CUP

CUT 2 PAIRS - MAIN

CUT 1 PAIR - INTERFACING

(6 mm (1/4") seam allowance unless otherwise stated)

TALITWIST BLOUSE

#0823

4

FRONT BAND - C CUP

CUT 2 PAIRS - MAIN

CUT 1 PAIR - INTERFACING

(6 mm (1/4") seam allowance unless otherwise stated)

TALITWIST BLOUSE

#0823

4

FRONT BAND - D CUP

CUT 2 PAIRS - MAIN

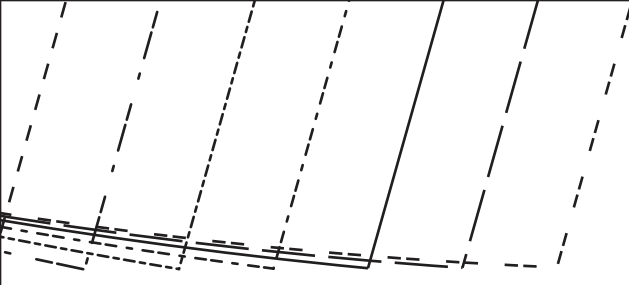
CUT 1 PAIR - INTERFACING

(6 mm (1/4") seam allowance unless otherwise stated)

1 cm (3/8") SEAM ALLOWANCE

4

FRONT BAND - D CUP
CUT 2 PAIRS - MAIN
CUT 1 PAIR - INTERFACING
(6 mm (1/4") seam allowance unless otherwise stated)

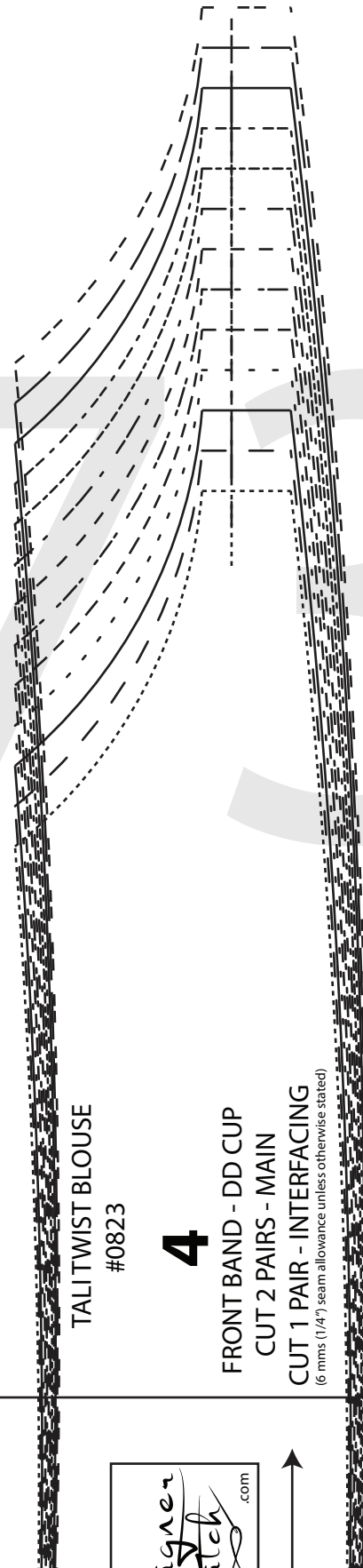


TALITWIST BLOUSE

#0823

4

FRONT BAND - DD CUP
CUT 2 PAIRS - MAIN
CUT 1 PAIR - INTERFACING
(6 mm (1/4") seam allowance unless otherwise stated)



7

4



TALI TWIST BLOUSE

#0823

9

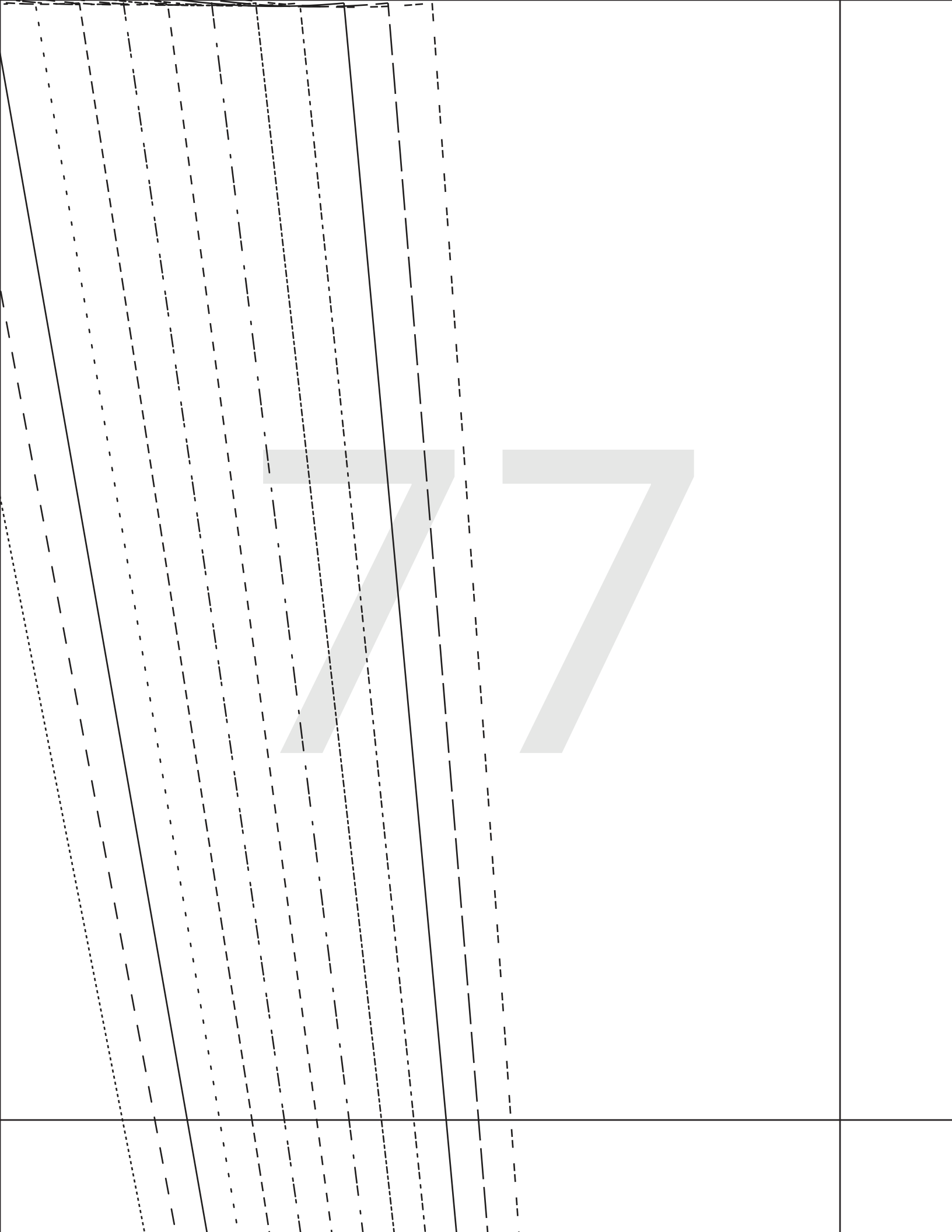
GATHERED SLEEVE

CUT 2

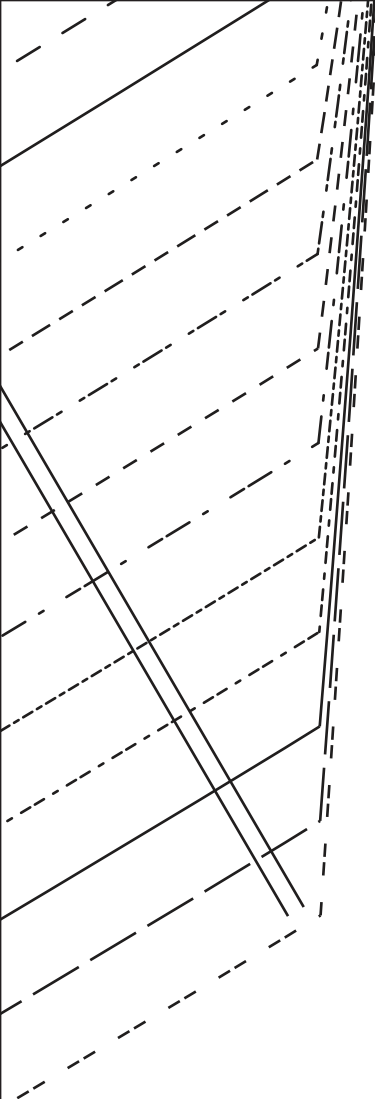
(1.5 cms (5/8") seam allowance unless otherwise stated)

75

76



78



79

1 cm (3/8") SEAM ALLOWANCE





1 cm (3/8") SEAM ALLOWANCE



1 cm (3/8") SEAM ALLOWANCE



1 cm (3/8") SEAM ALLOWANCE

80

F 6 mm

F 6 mm

F
CU
(6 mm)

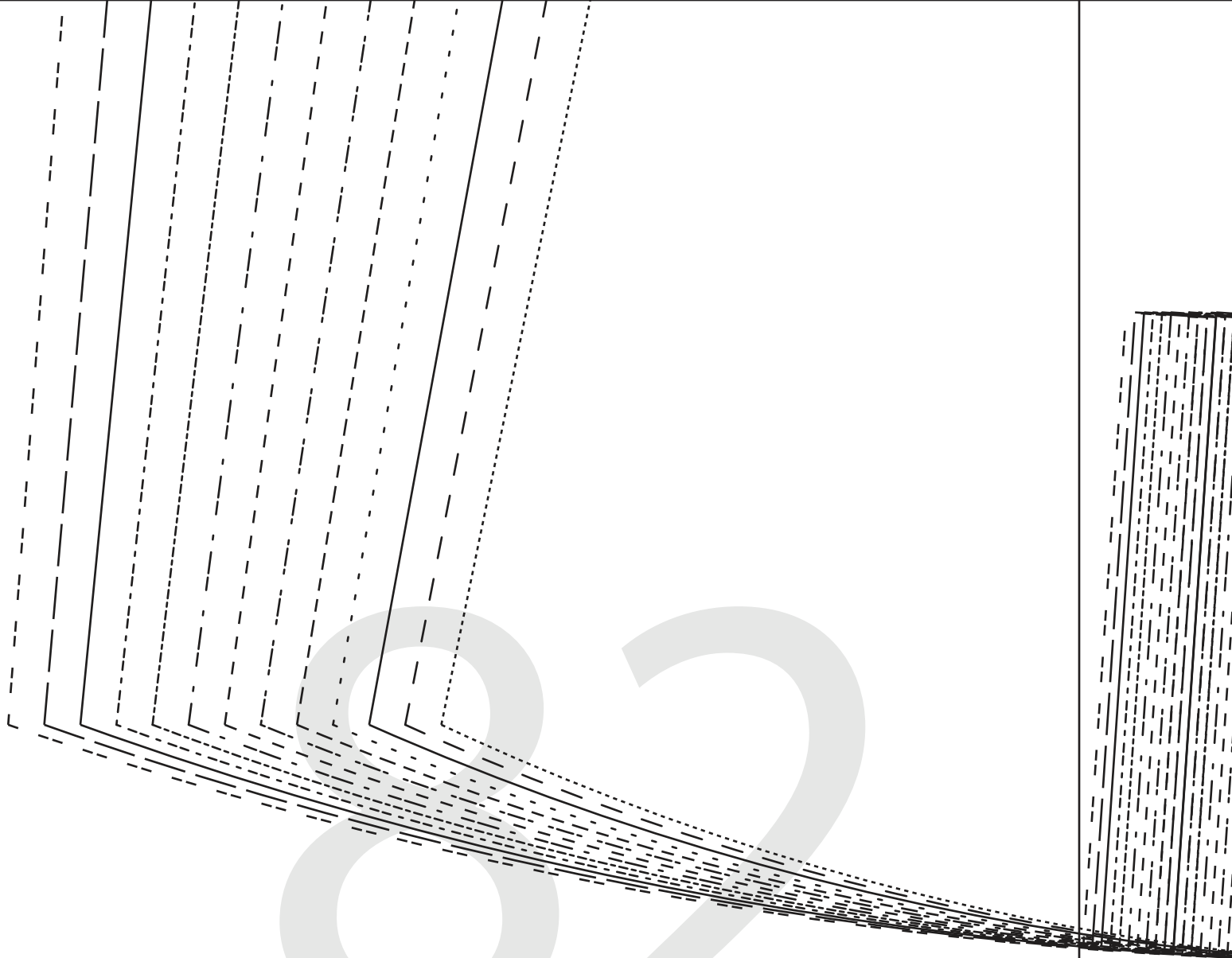


1 cm (3/8") SEAM ALLOWANCE

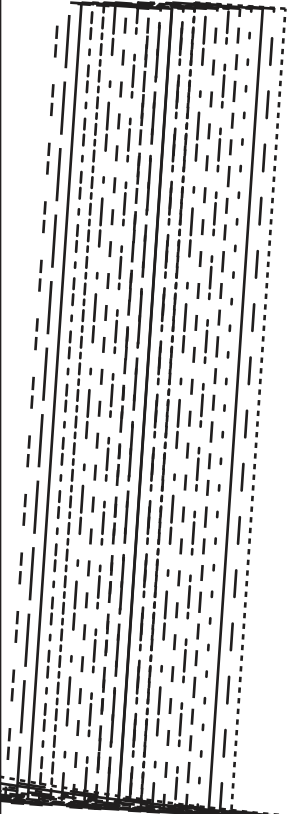


1 cm (3/8") SEAM ALLOWANCE

81



02



6 mms(1/4") SEAM ALLOWANCE

83

84

