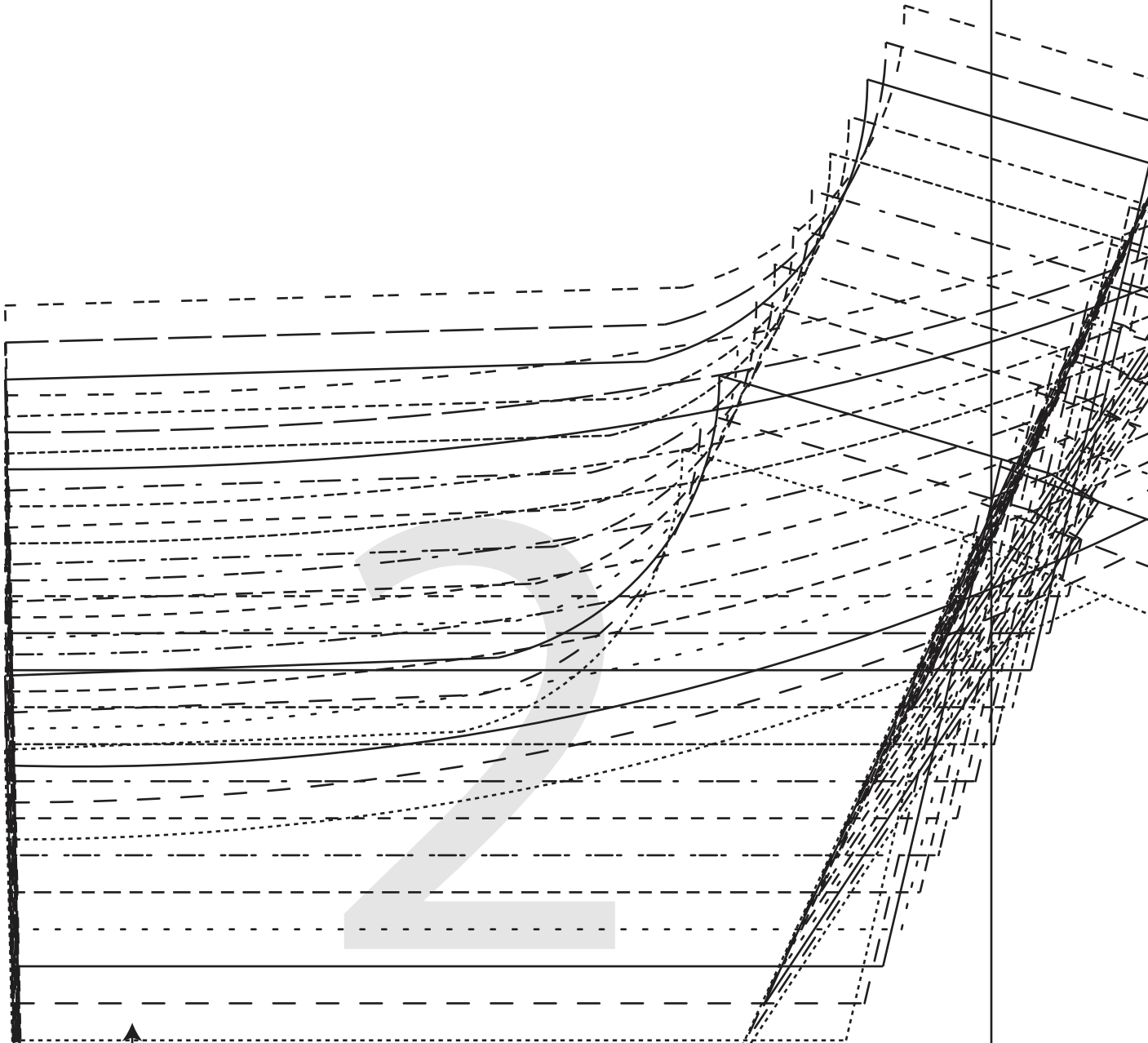


PRINT TILING TEMPLATE GUIDE FOR SIZE SPECIFIC CHOICE
TRIMLESS PRINT AT HOME PATTERN



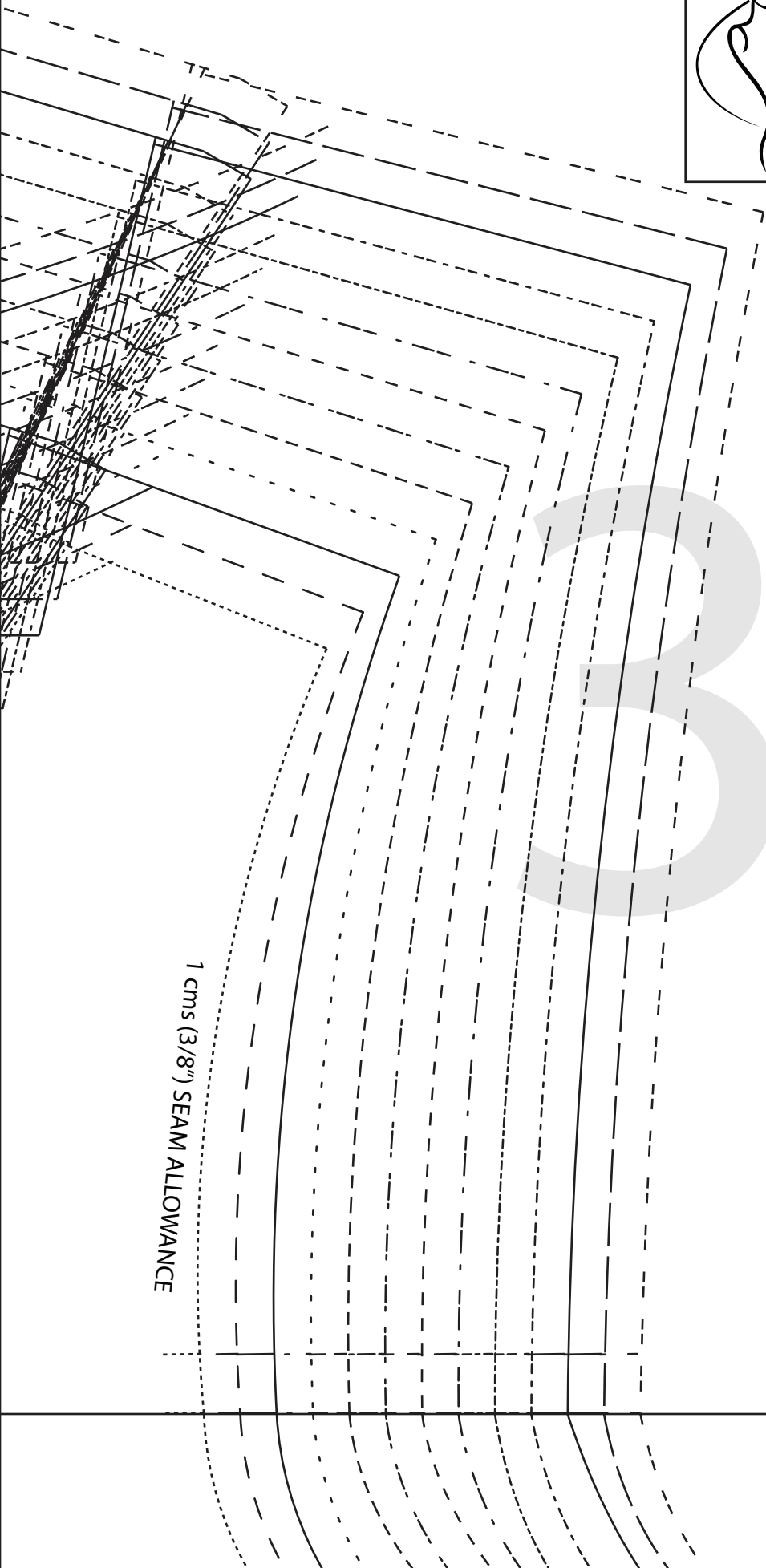
↑ Note : neckline seam edge
for facing application is
6mm (1/4") ↑



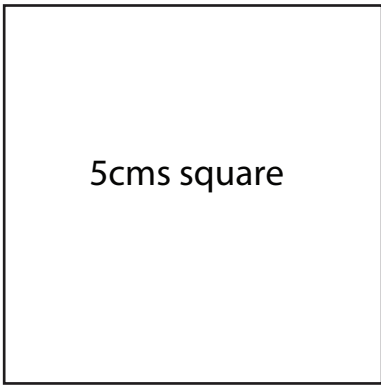
LUANA PARTY DRESS



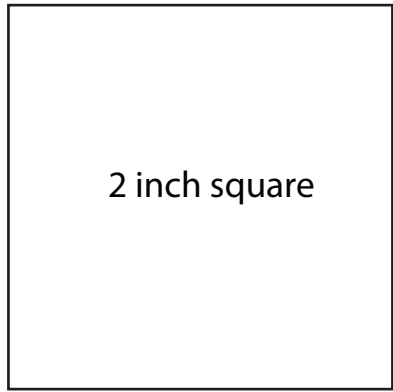
LUANA PARTY DRESS #1123



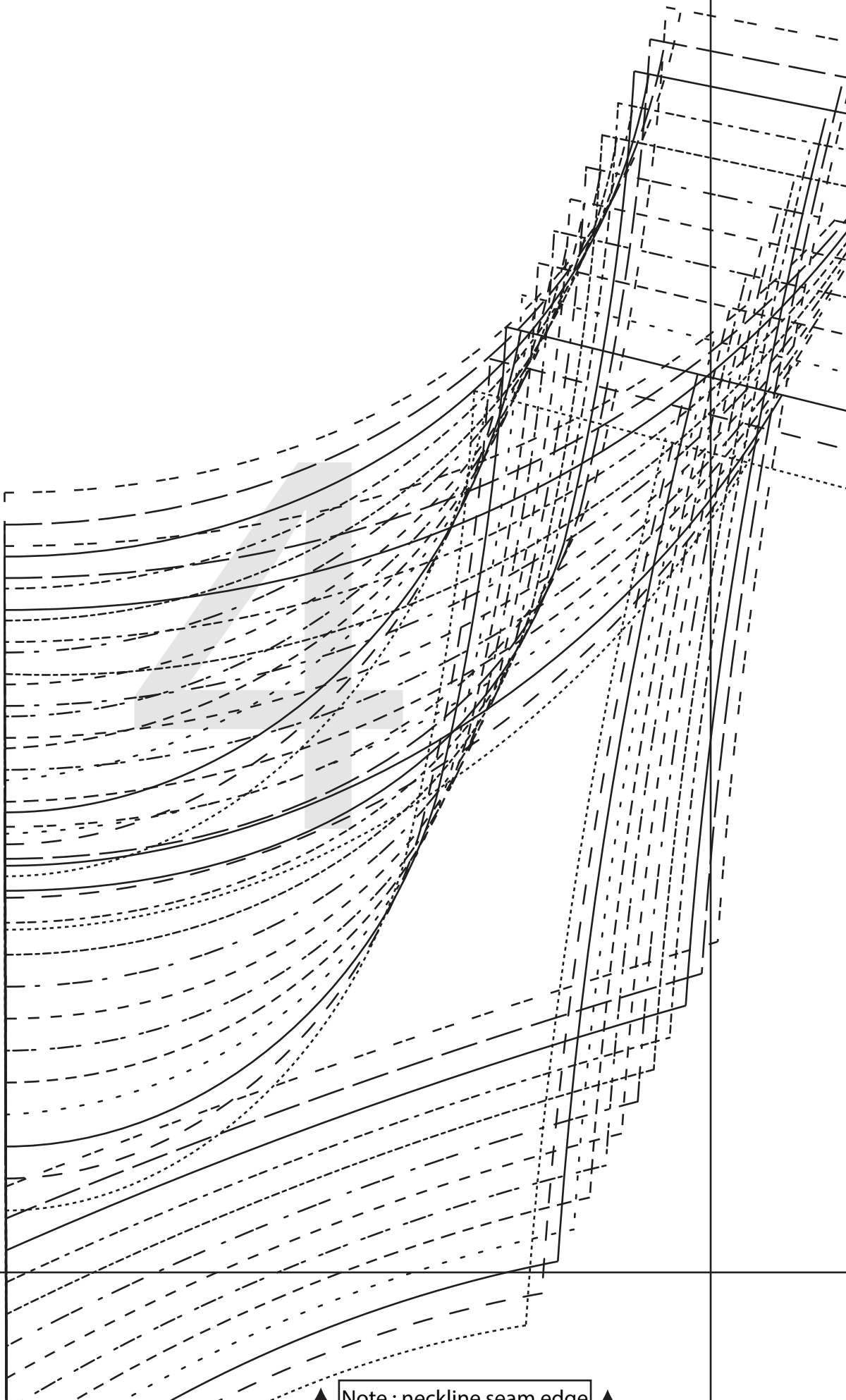
1 cms (3/8") SEAM ALLOWANCE



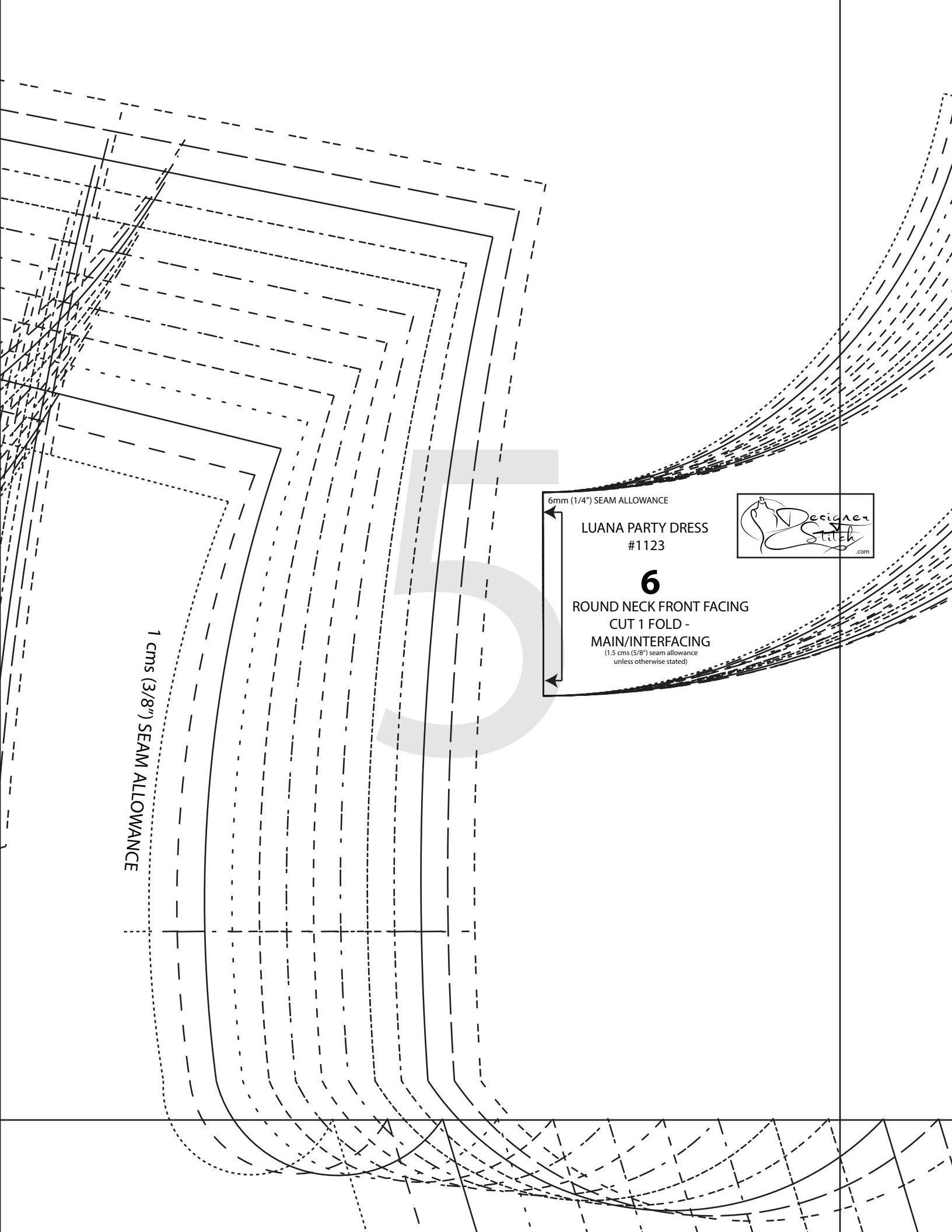
5cms square



2 inch square



↑ Note : neckline seam edge ↑



1 cms (3/8") SEAM ALLOWANCE

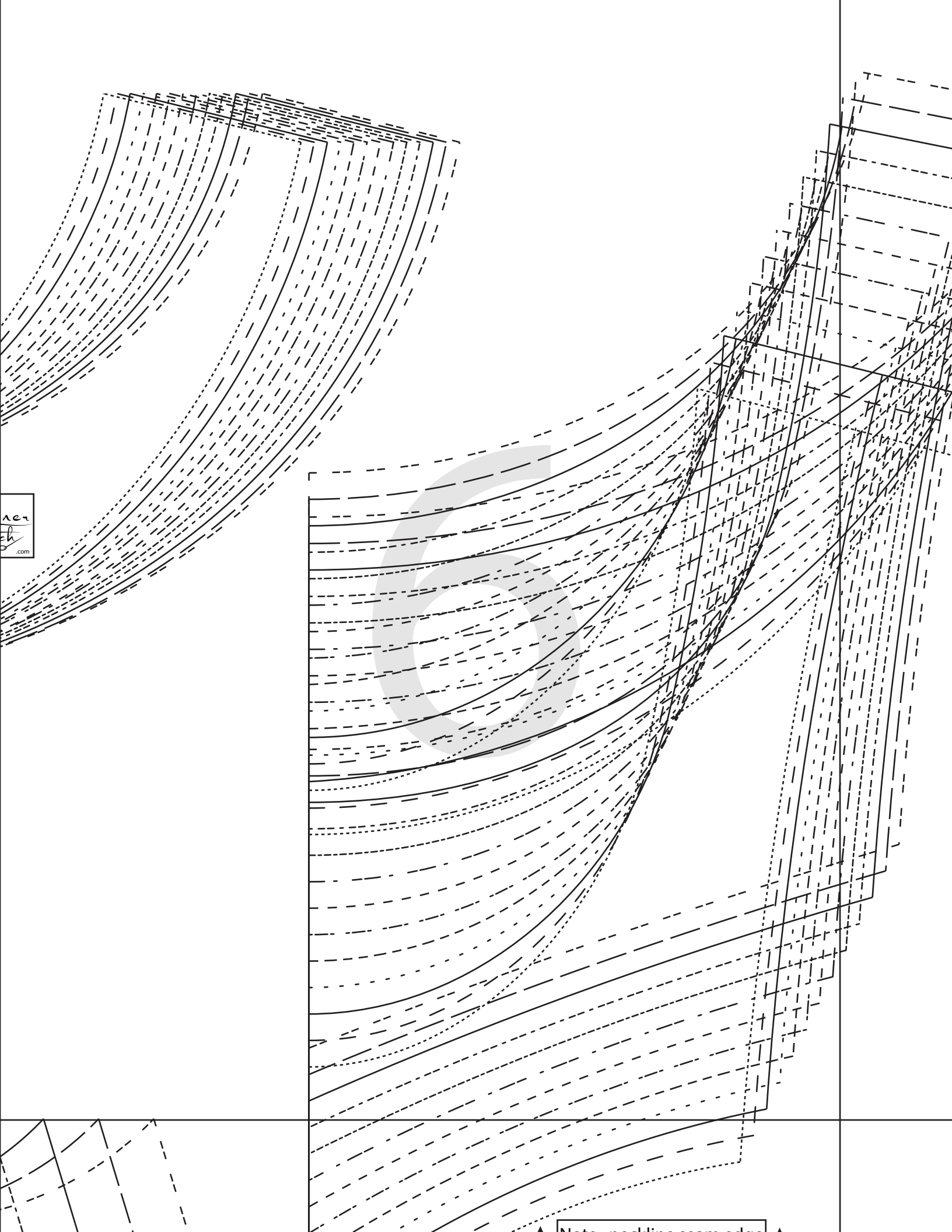
6mm (1/4") SEAM ALLOWANCE

LUANA PARTY DRESS
#1123



6

ROUND NECK FRONT FACING
CUT 1 FOLD -
MAIN/INTERFACING
(1.5 cms (5/8") seam allowance
unless otherwise stated)



ner
th
.com

▲ Not a scale drawing ▲

1 cms (3/8") SEAM ALLOWANCE

6mm (1/4") SEAM ALLOWANCE

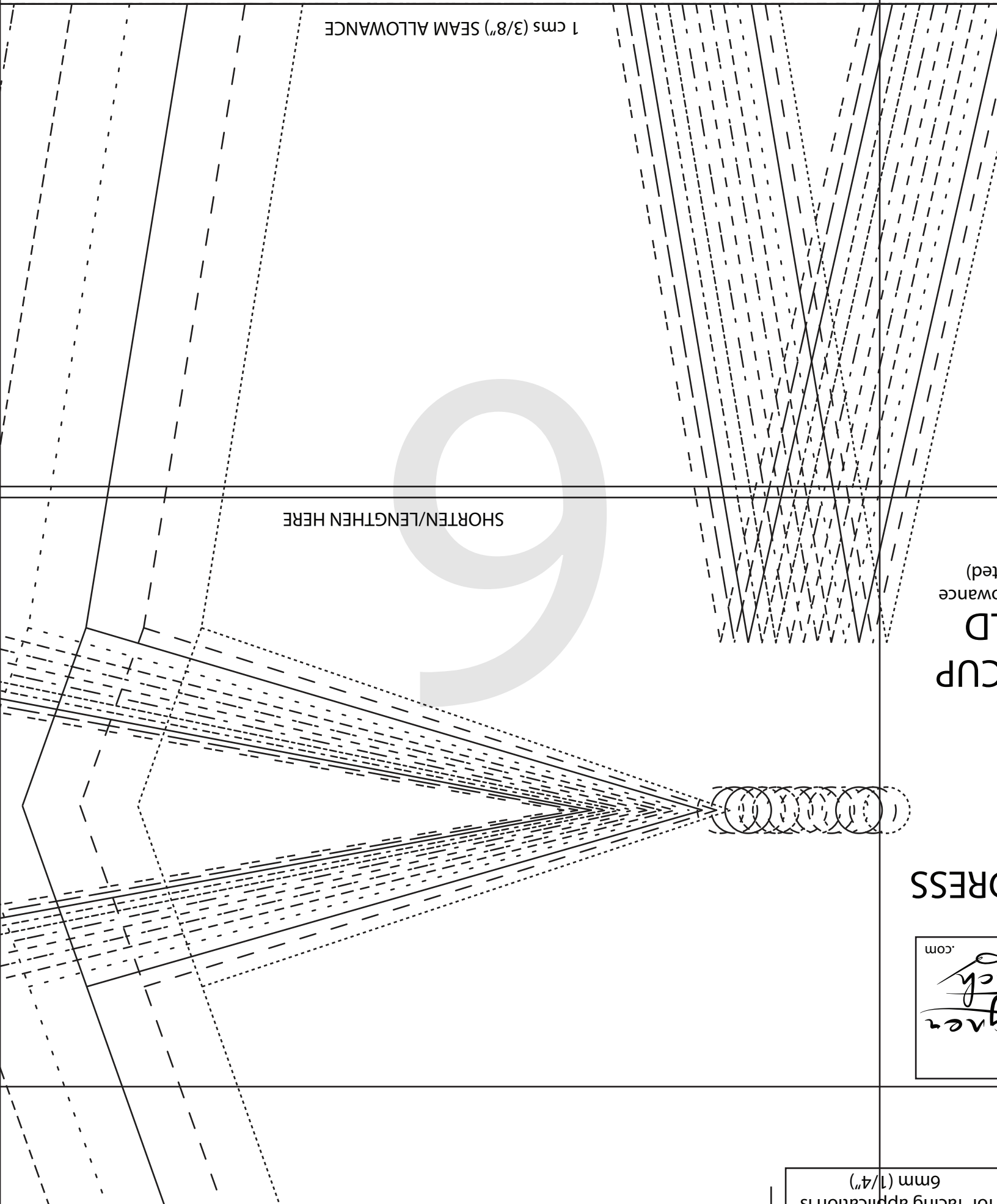


LUANA PARTY DRESS
#1123

8

SCOOP NECK FRONT FACING
CUT 1 FOLD -
MAIN/INTERFACING
(1.5 cms (5/8") seam allowance
unless otherwise stated)



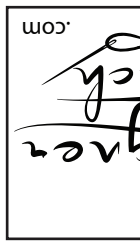


1 cms (3/8") SEAM ALLOWANCE

SHORTEN/LENGTHEN HERE

CUP
D
allowance
(ted)

DRESS



for tracing applications
6mm (1/4")

10

(1.5 cms (5/8") seam allowance unless otherwise stated)

FRONT - C CUP
CUT 1 FOLD

2

#1123

LUANA PARTY DRESS



for tracing app (1) 6mm

LUANA PARTY DRESS

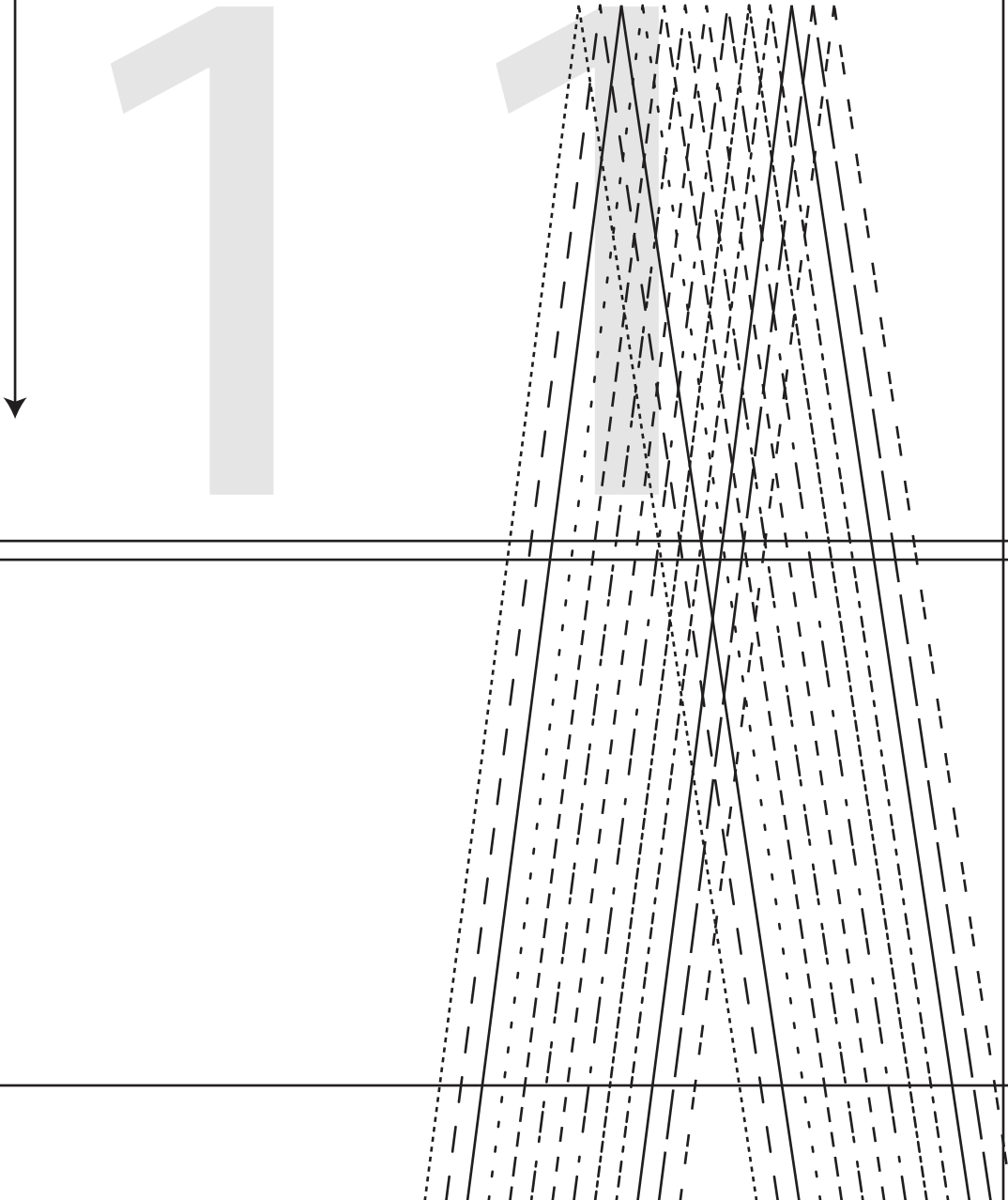
#1123

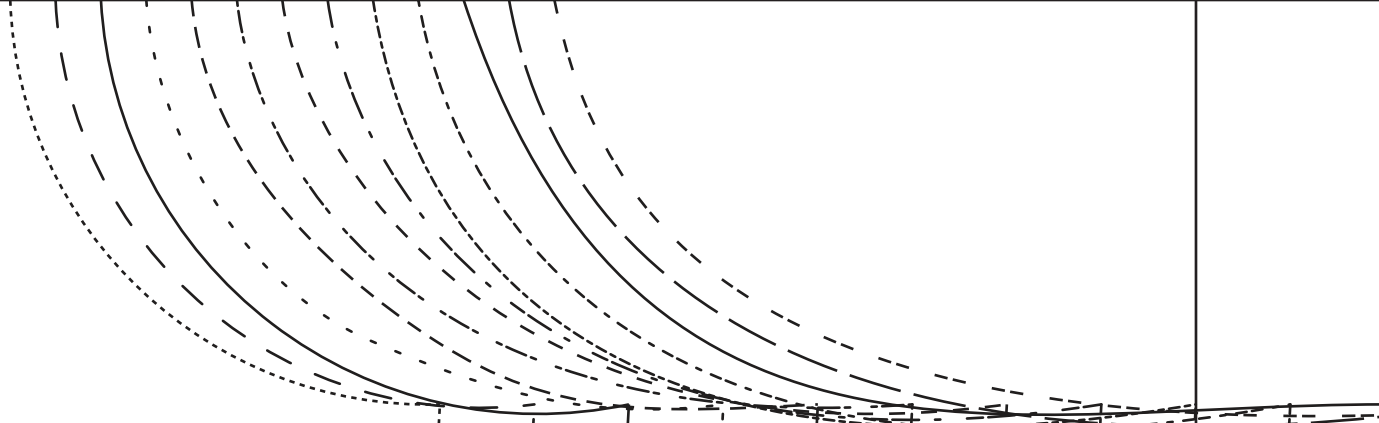
1

BACK

CUT 2

((1.5 cms (5/8") seam allowance
unless otherwise stated)





1 2

SHORTEN/LENGTHEN HERE

1 cms (3/8") SEAM ALLOWANCE

Note : neckline seam edge
for facing application is
6mm (1/4")



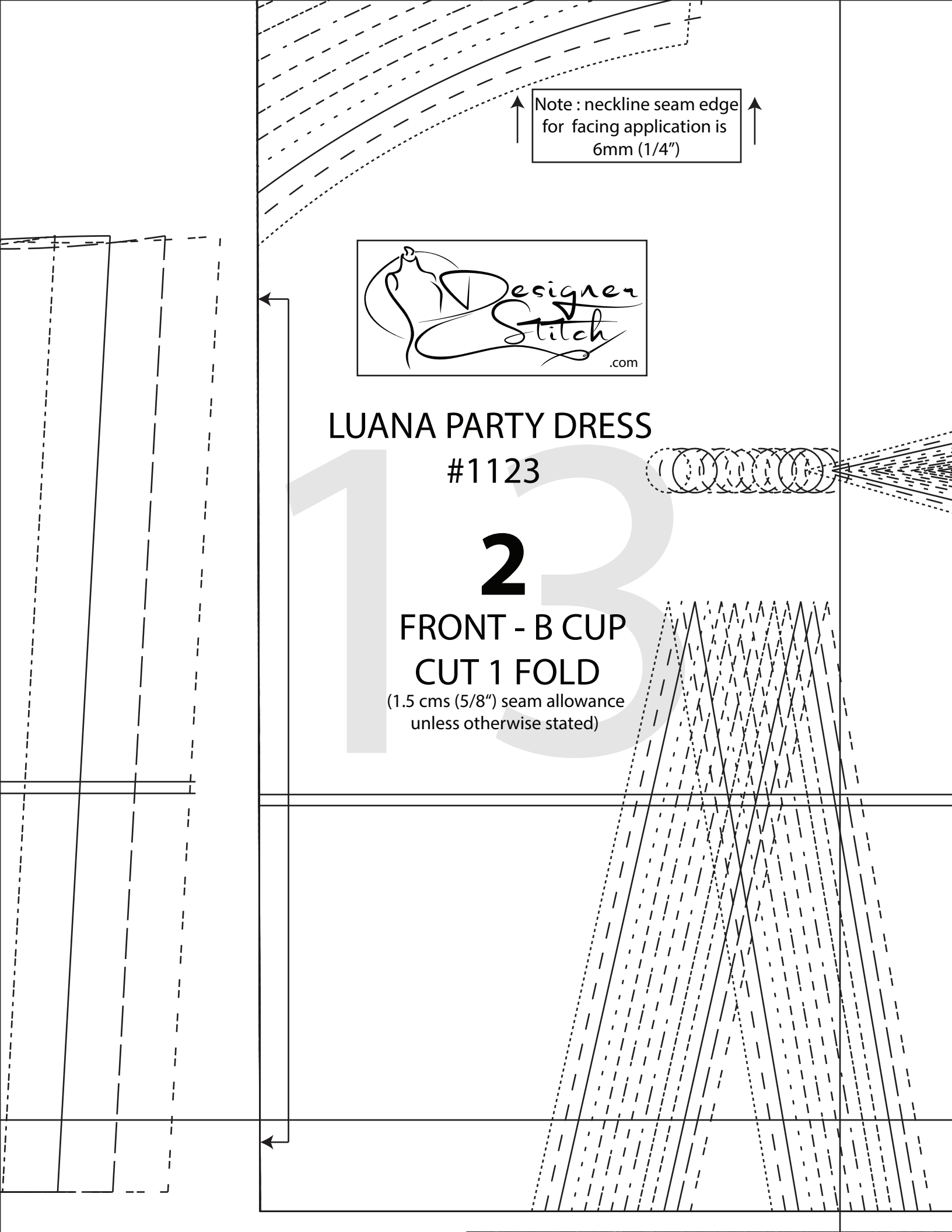
LUANA PARTY DRESS

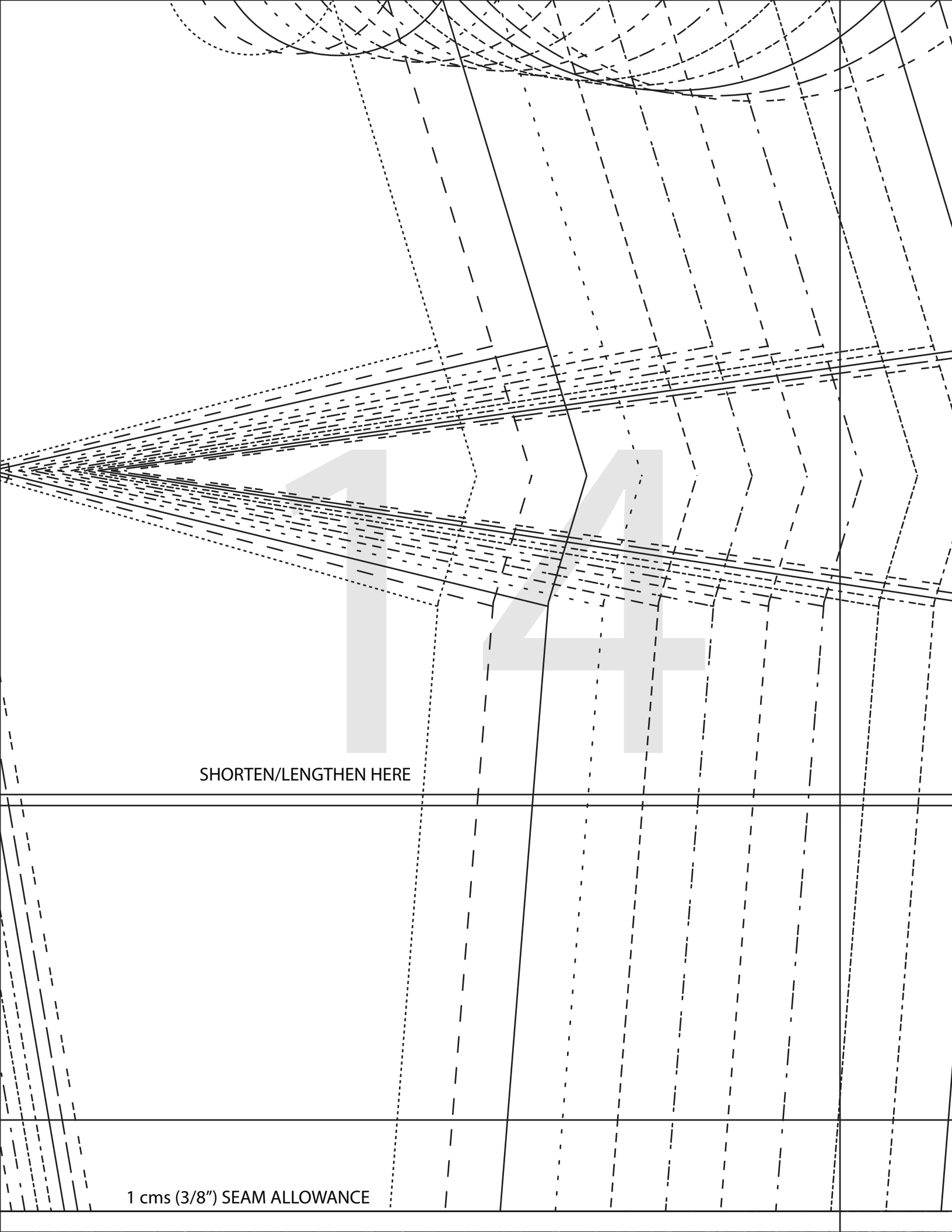
#1123

2

FRONT - B CUP CUT 1 FOLD

(1.5 cms (5/8") seam allowance
unless otherwise stated)





SHORTEN/LENGTHEN HERE

1 cms (3/8") SEAM ALLOWANCE

Note : neckline seam edge
for facing application is
6mm (1/4")



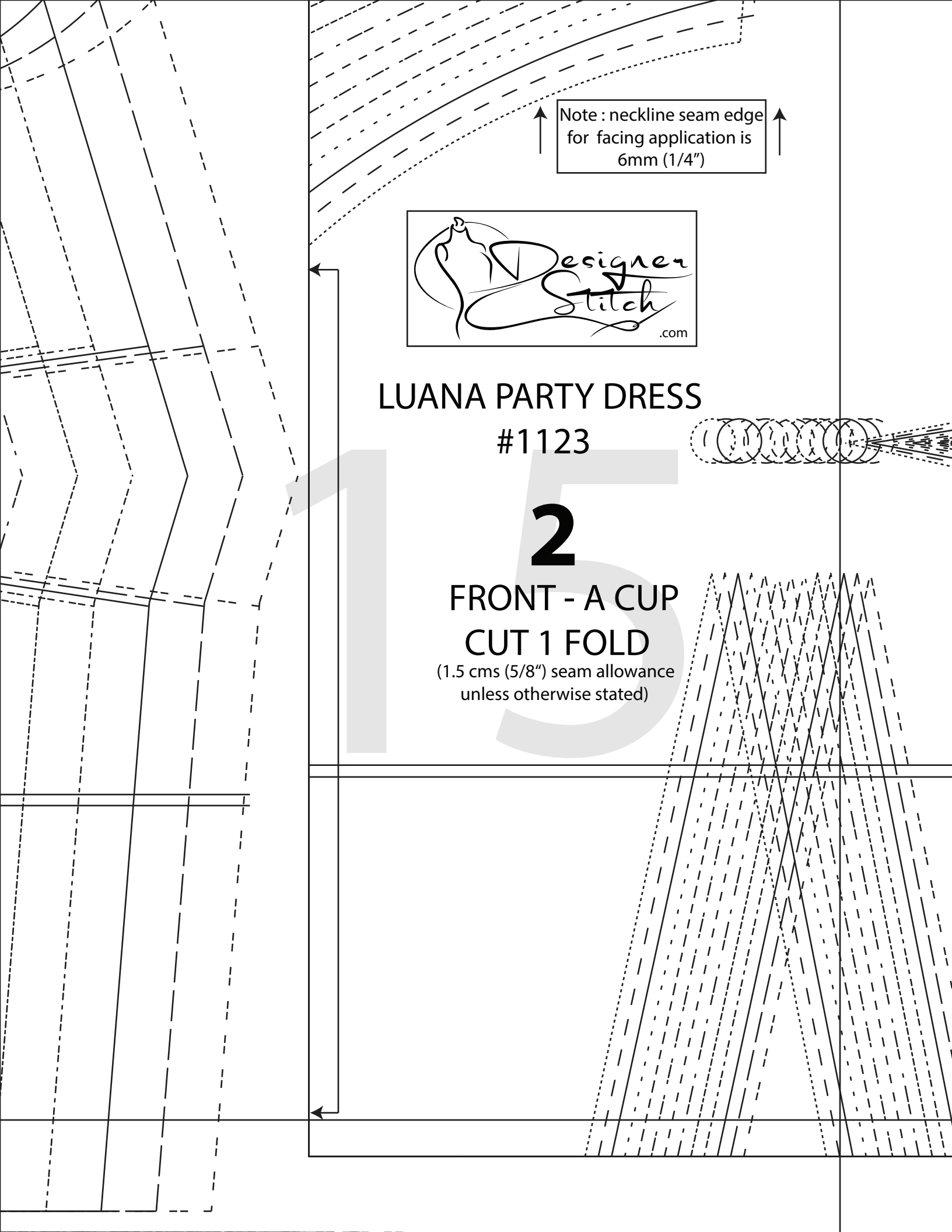
LUANA PARTY DRESS

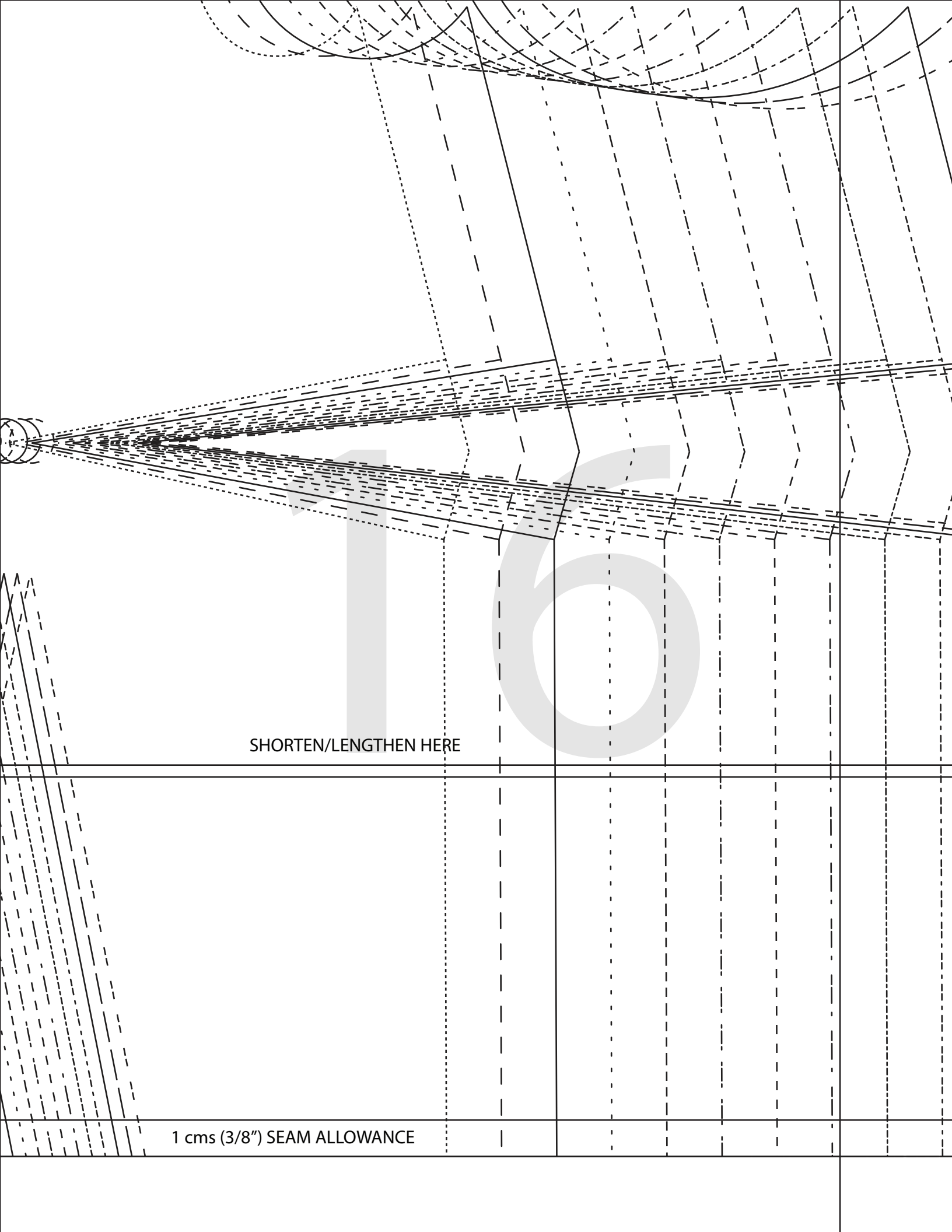
#1123

2

**FRONT - A CUP
CUT 1 FOLD**

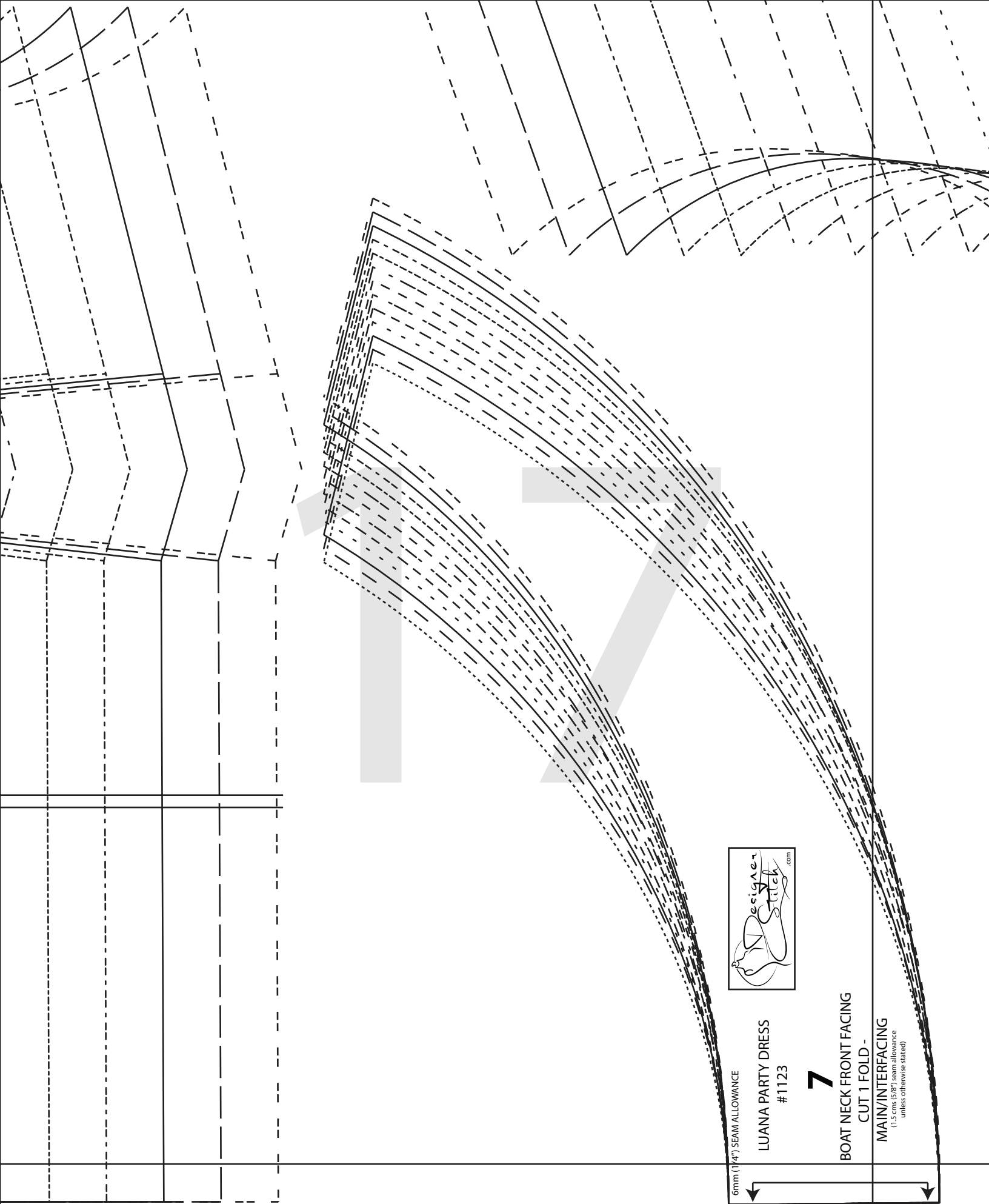
(1.5 cms (5/8") seam allowance
unless otherwise stated)





SHORTEN/LENGTHEN HERE

1 cms (3/8") SEAM ALLOWANCE



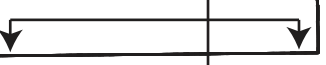
LUANA PARTY DRESS
1123

7

BOAT NECK FRONT FACING
CUT 1 FOLD -

MAIN/INTERFACING
(1.5 cms (5/8") seam allowance
unless otherwise stated)

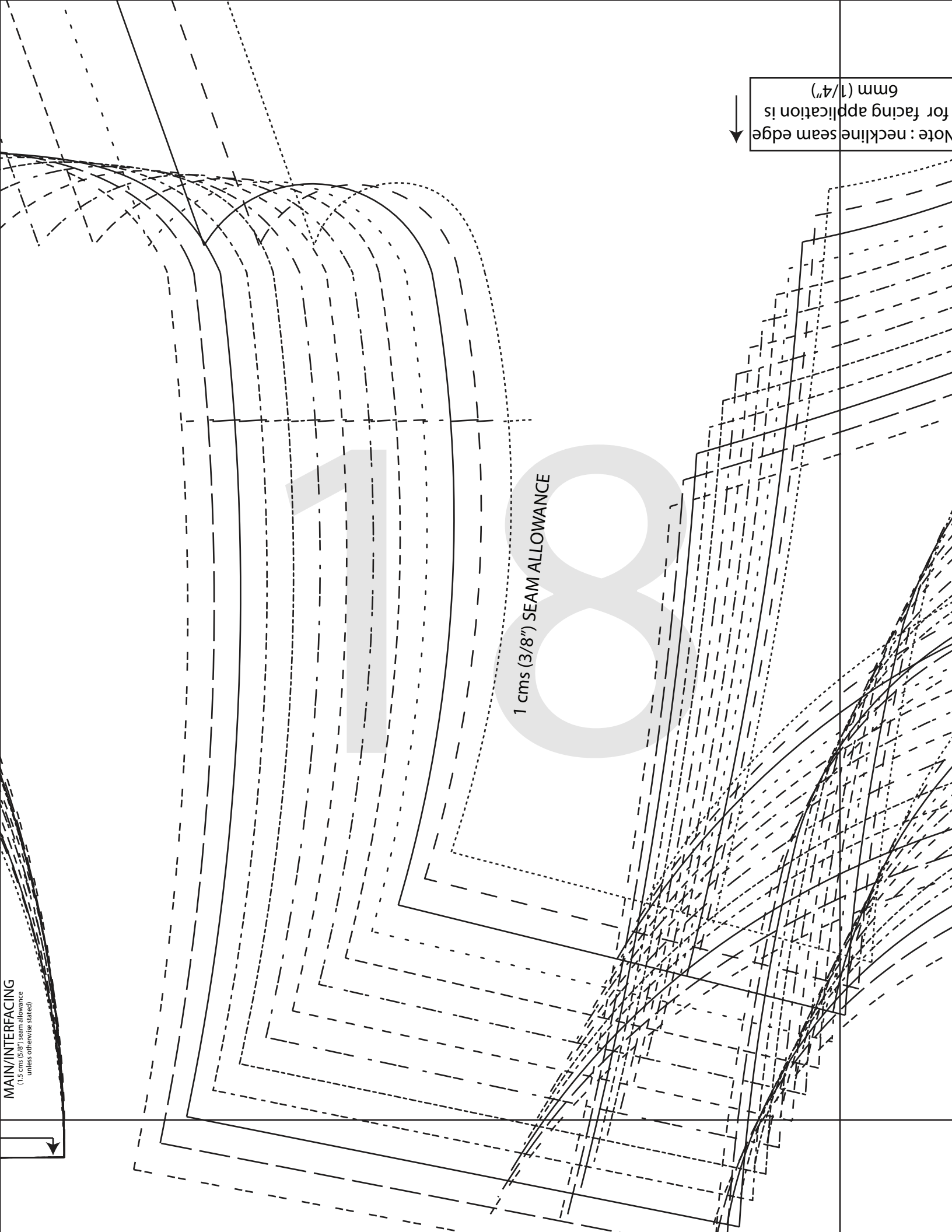
6mm (1/4") SEAM ALLOWANCE



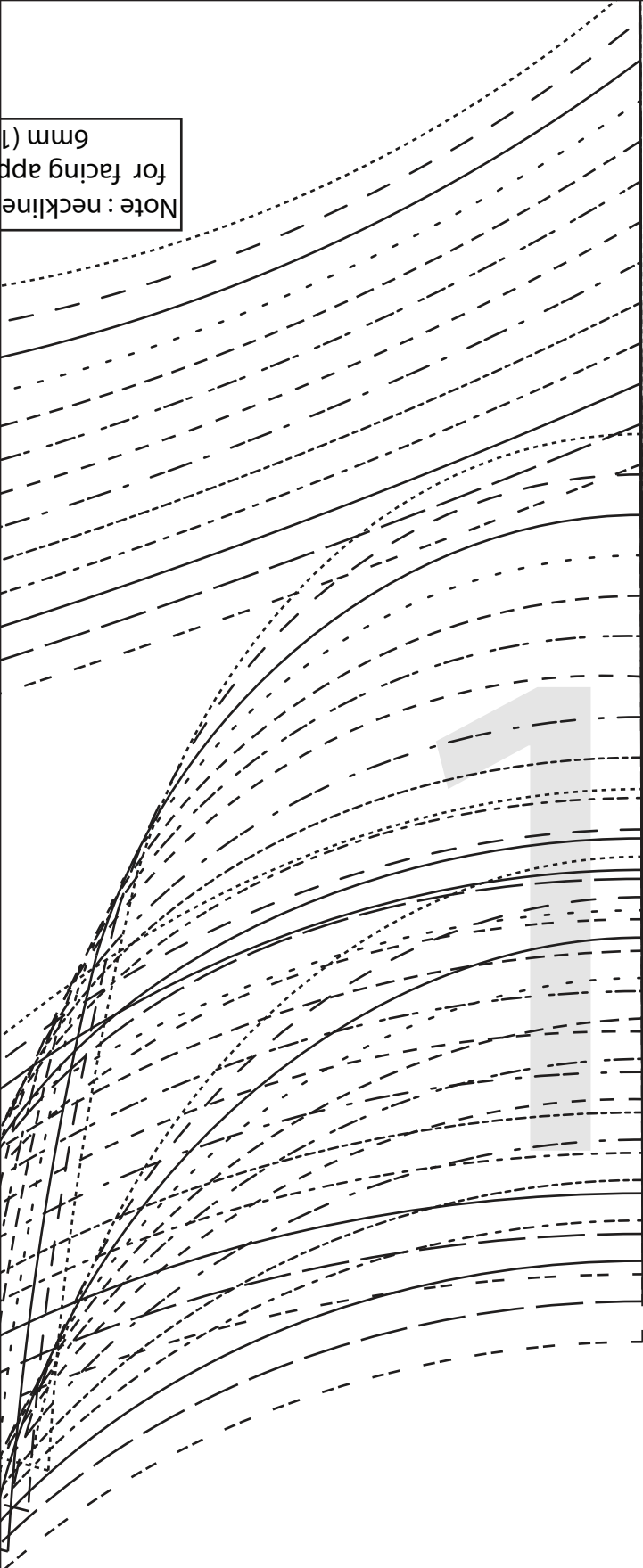
MAIN/INTERFACING
(1.5 cms (5/8") seam allowance
unless otherwise stated)

1
18
1 cms (3/8") SEAM ALLOWANCE

Note : neckline seam edge
for facing application is
6mm (1/4")



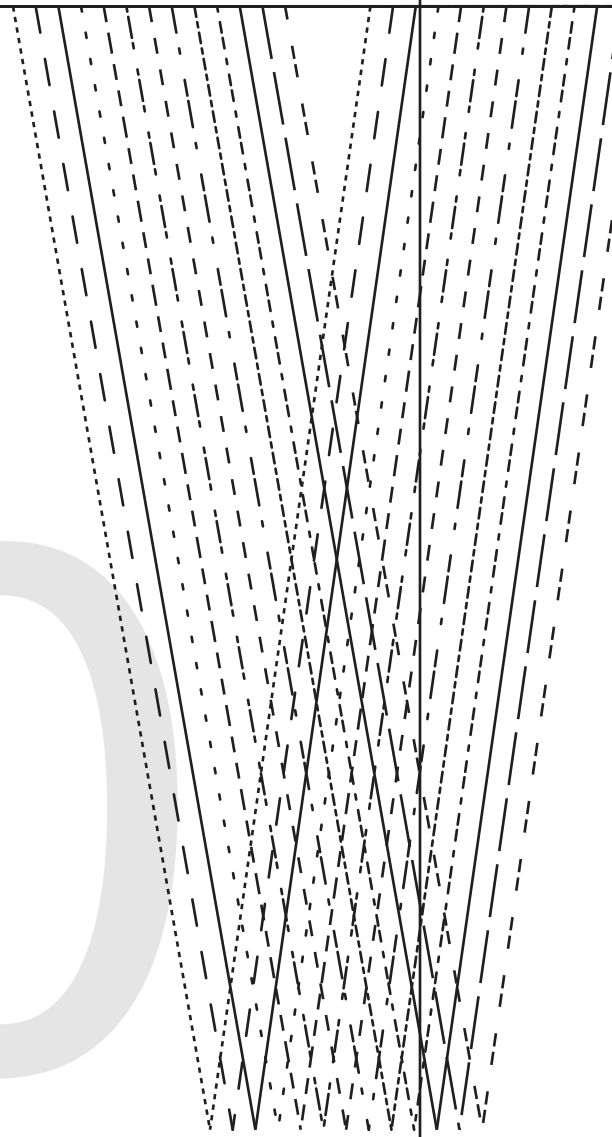
Note : neckline
for facing app
6mm (1/4")



9



20

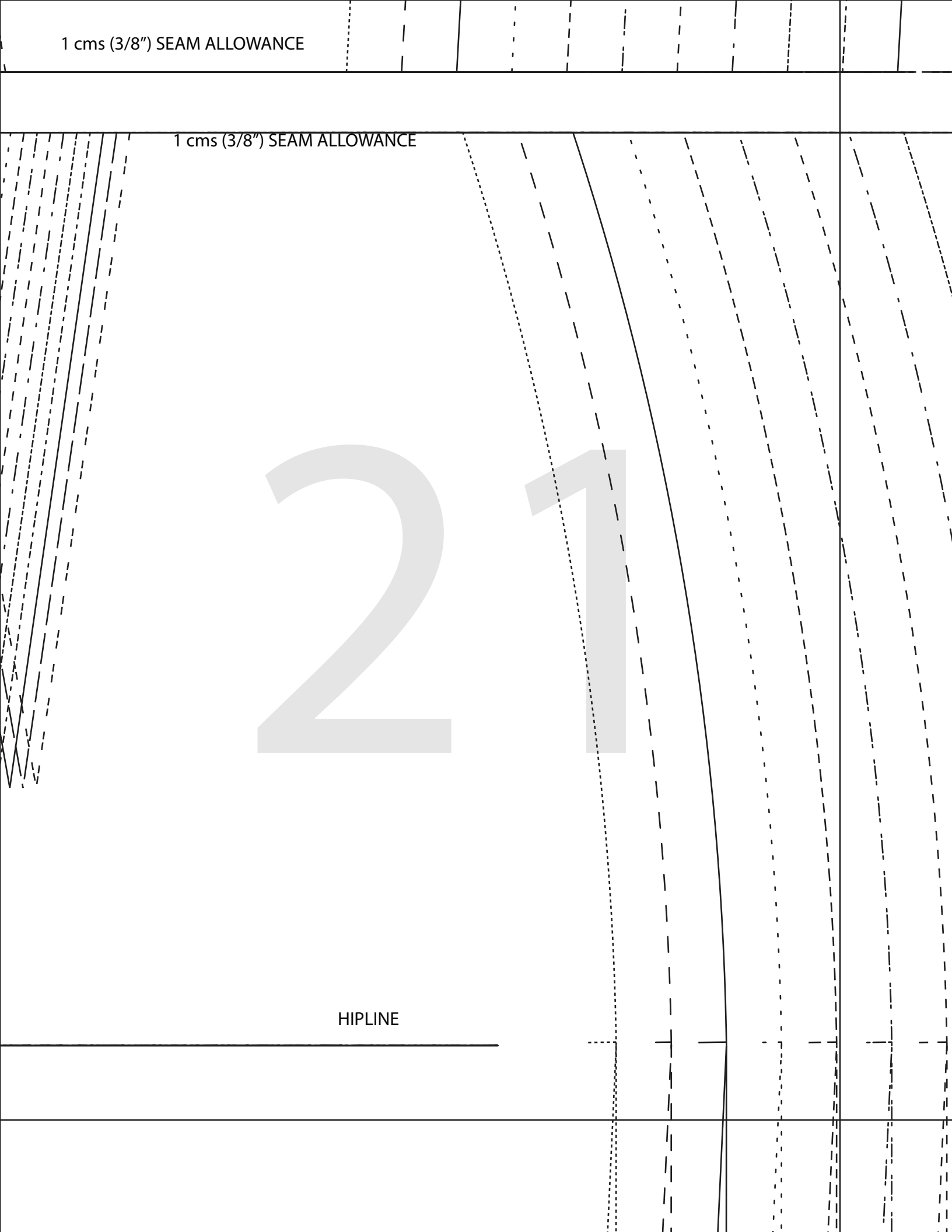


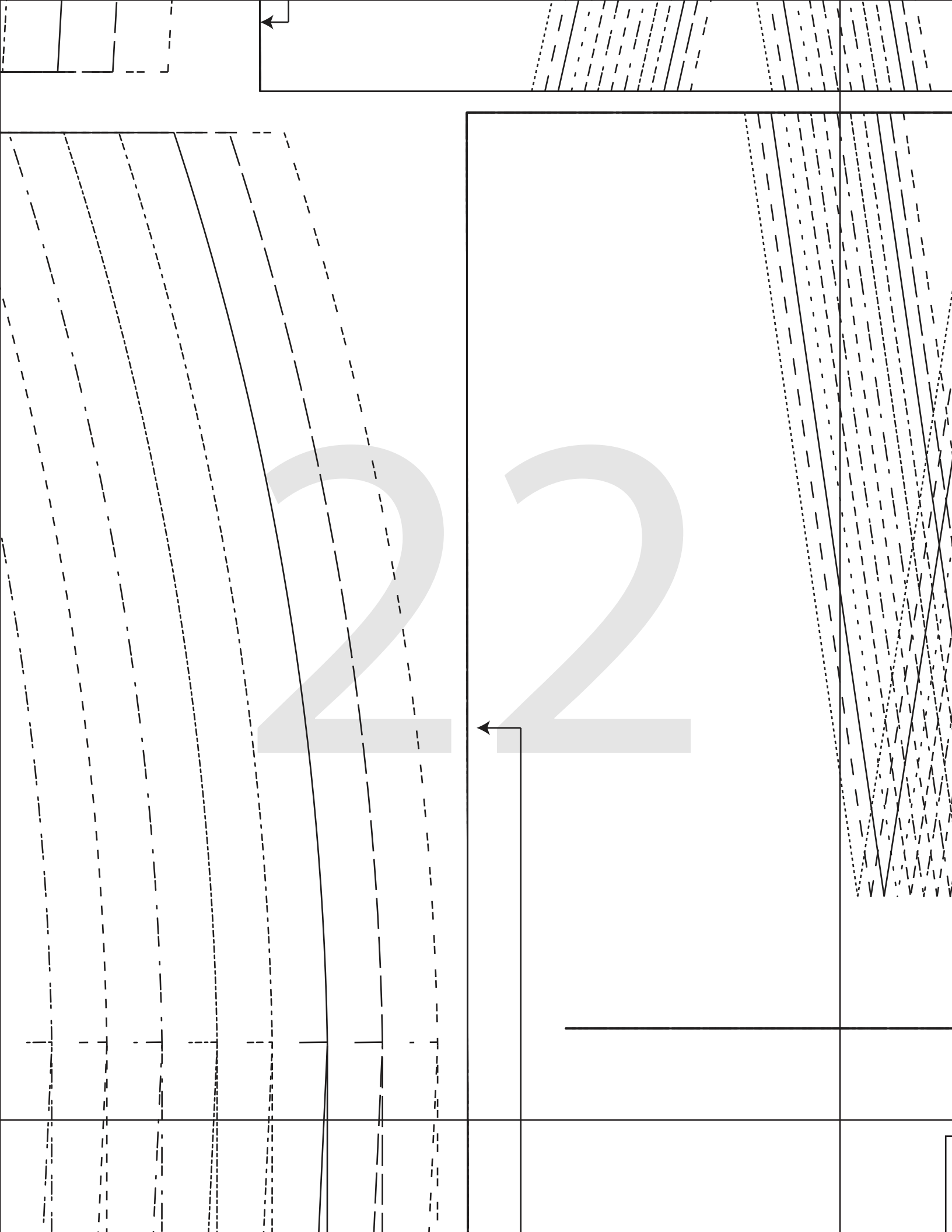
1 cms (3/8") SEAM ALLOWANCE

1 cms (3/8") SEAM ALLOWANCE

21

HIPLINE





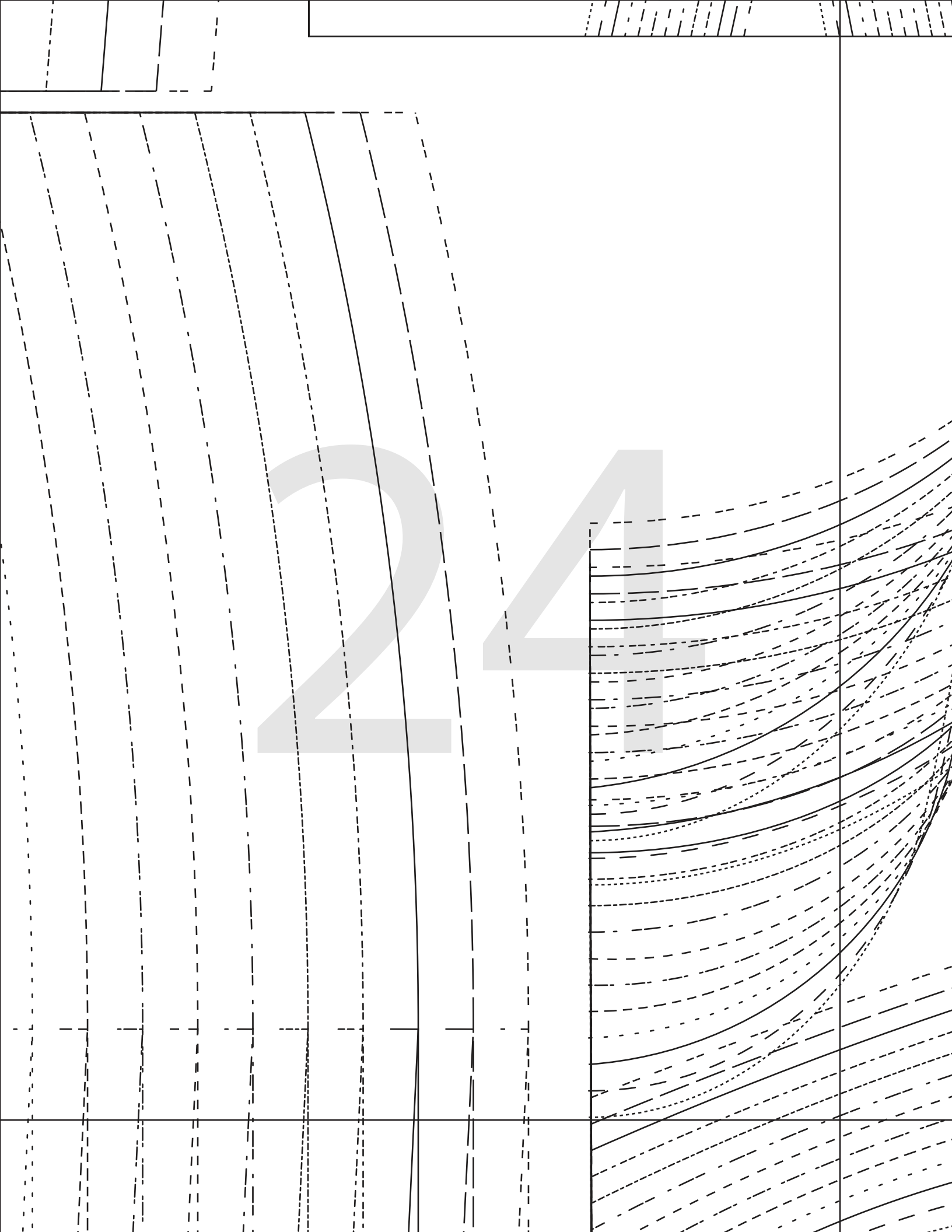
1 cms (3/8") SEAM ALLOWANCE

1 cms (3/8") SEAM ALLOWANCE

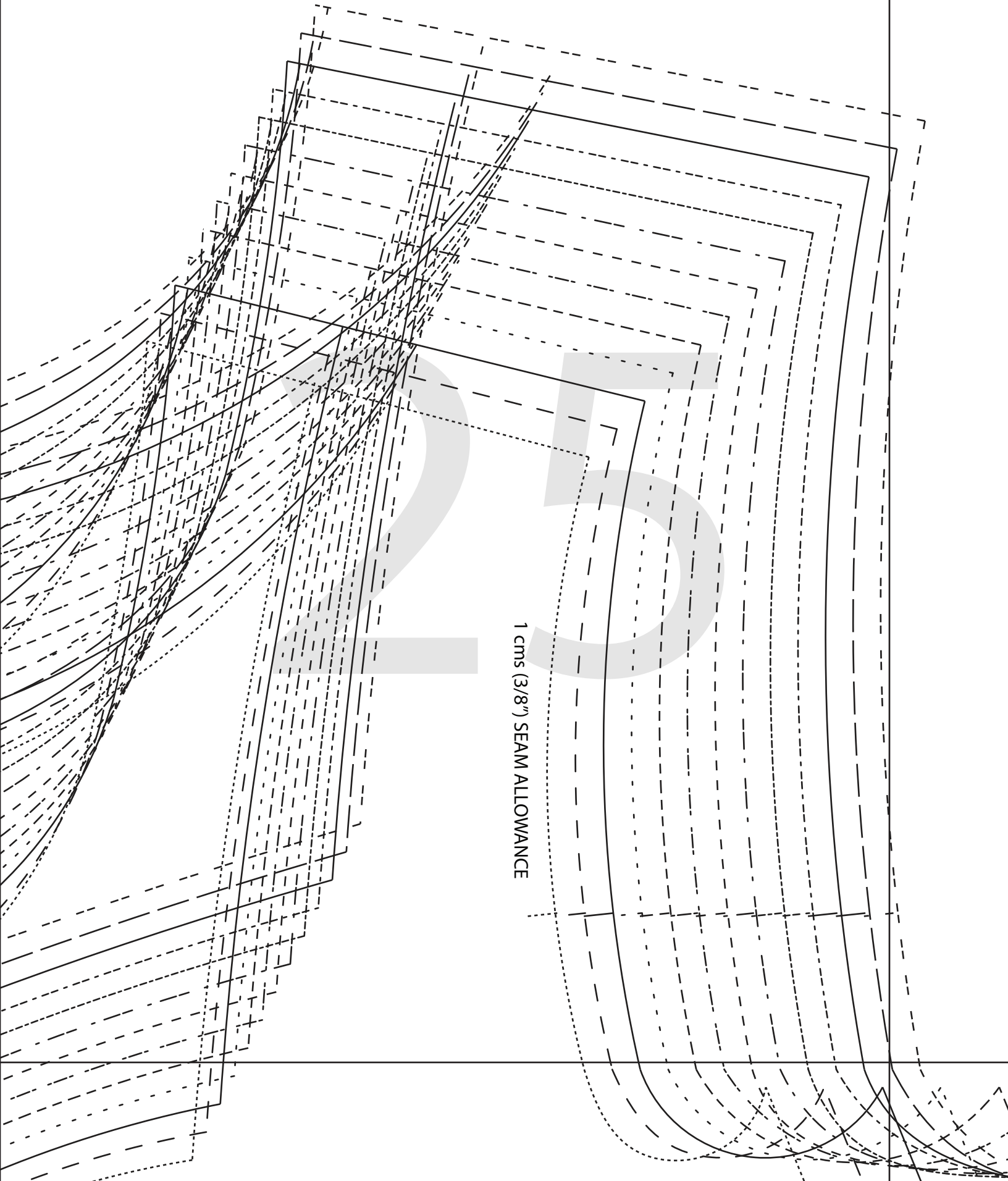
23

HIPLINE

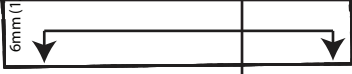




1 cms (3/8") SEAM ALLOWANCE



1 cms (3/8") SEAM ALLOWANCE

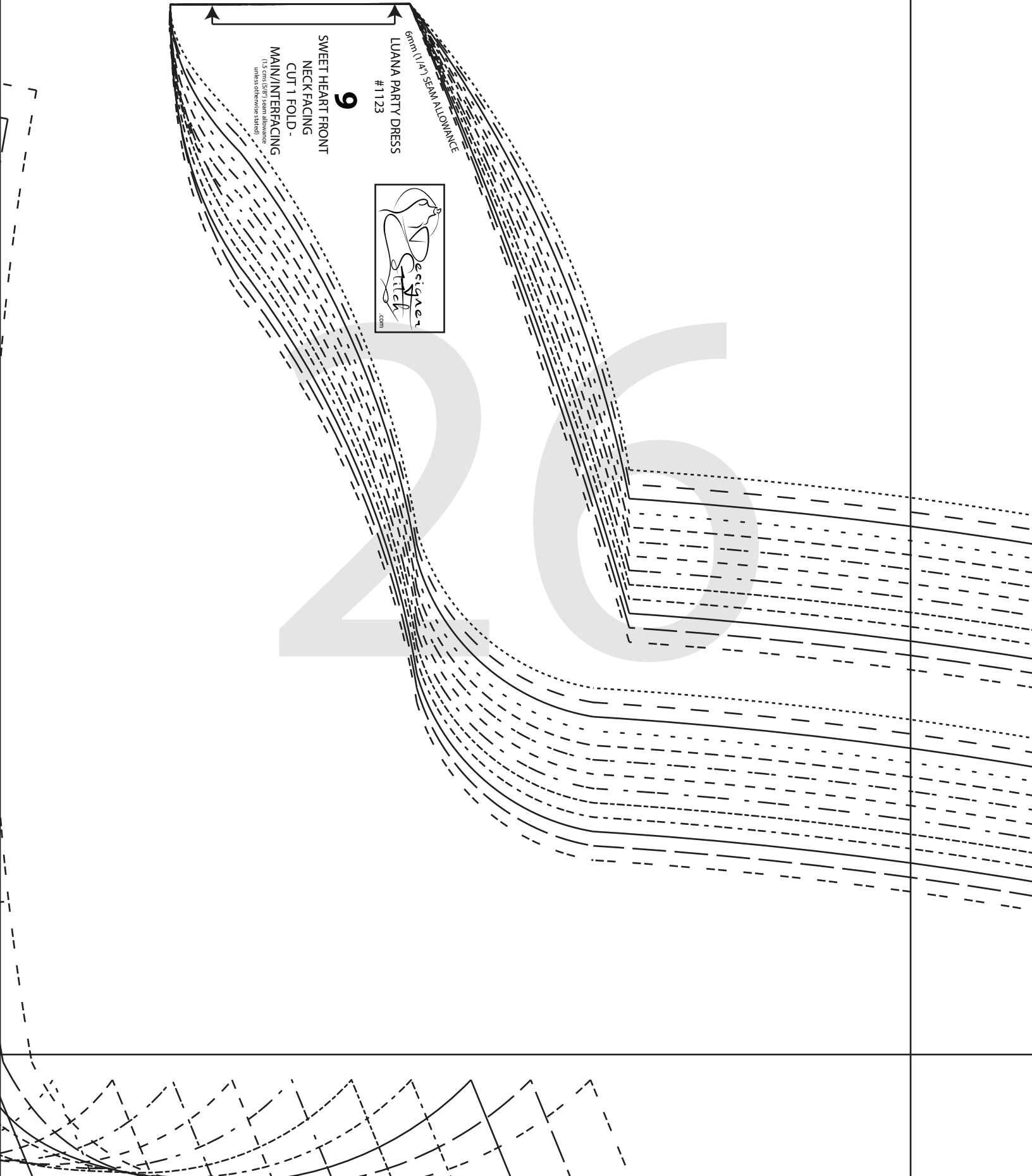
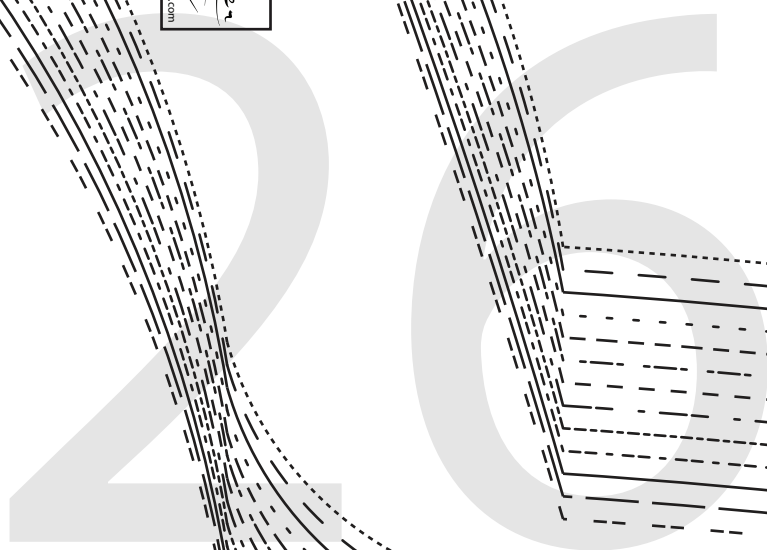


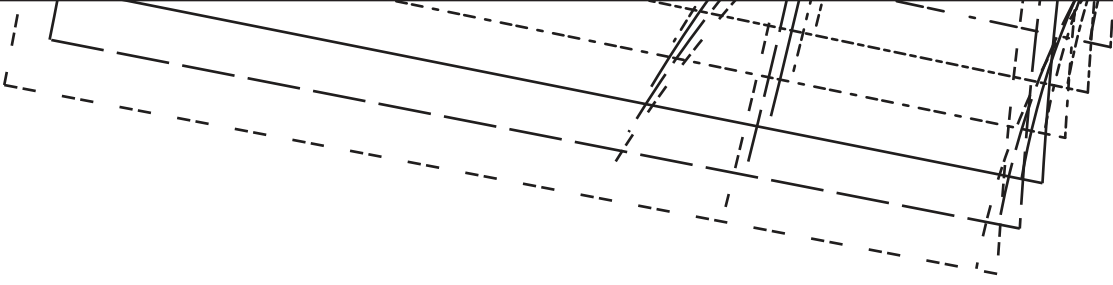
6mm (1/4) SEAM ALLOWANCE

LUANA PARTY DRESS
#1123

9

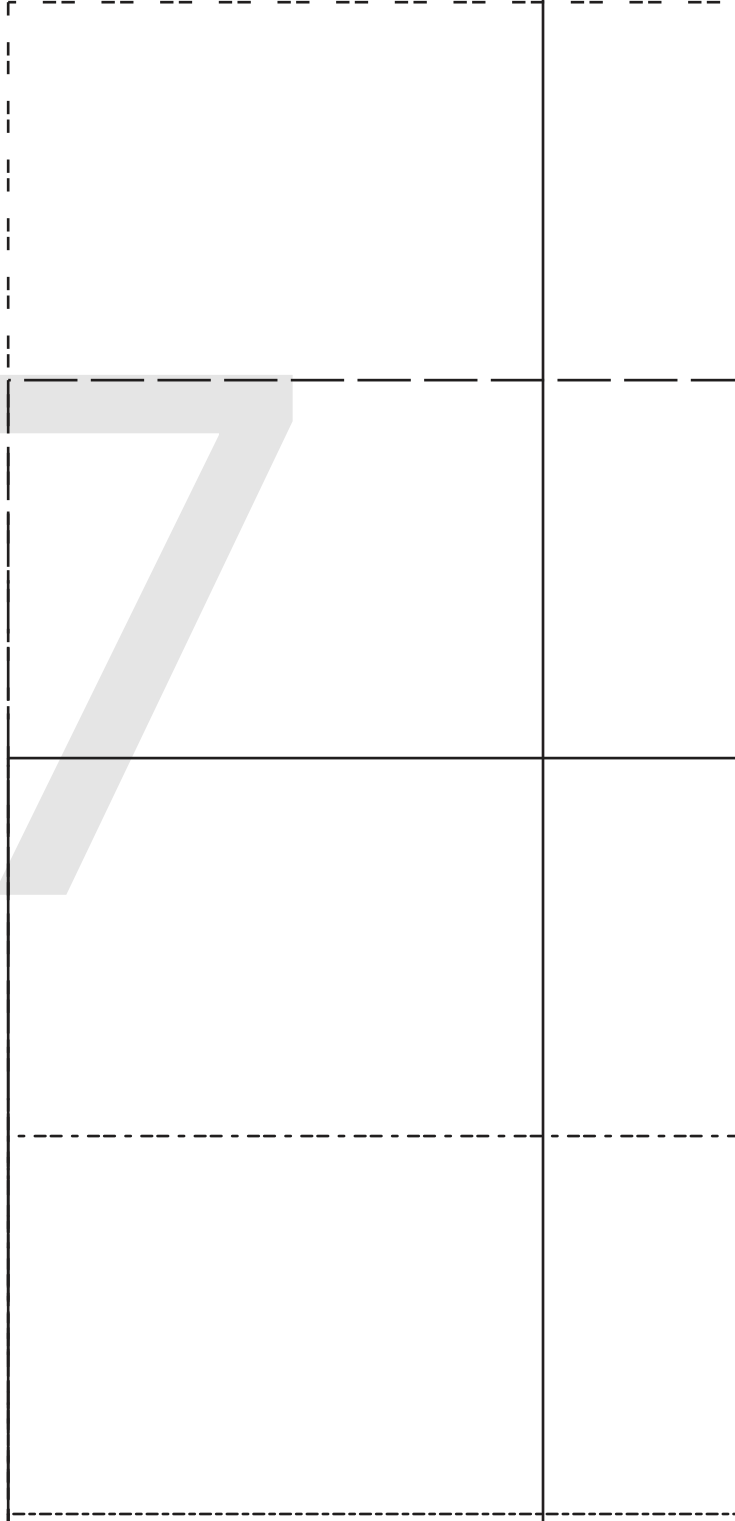
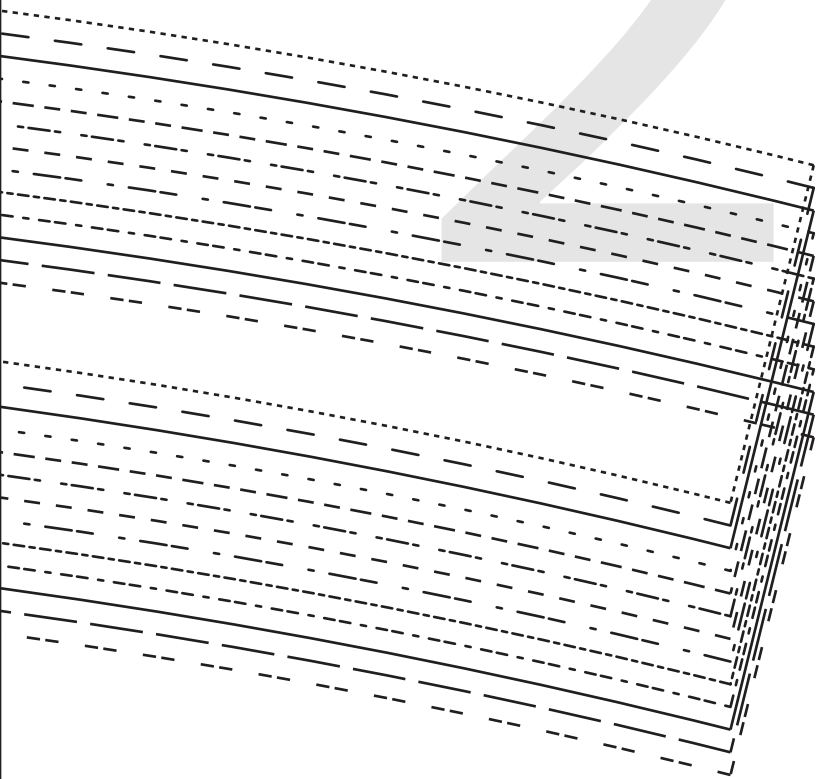
SWEET HEART FRONT
NECKFACING
CUT 1 FOLD -
MAIN/INTERFACING
(1.5cm (5/8") seam allowance
unless otherwise stated)





2

7



28



LUANA PARTY DRESS

#1123

10

BACK SKIRT

CUT 1 FOLD

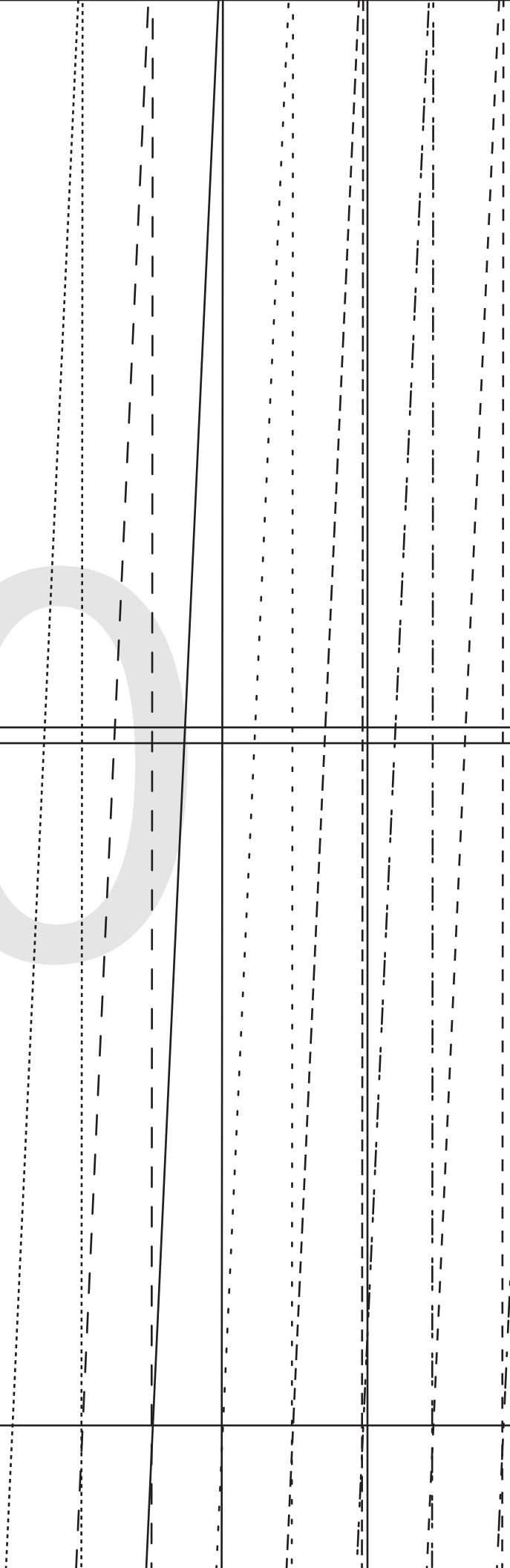
(1.5 cms (5/8") seam allowance
unless otherwise stated)

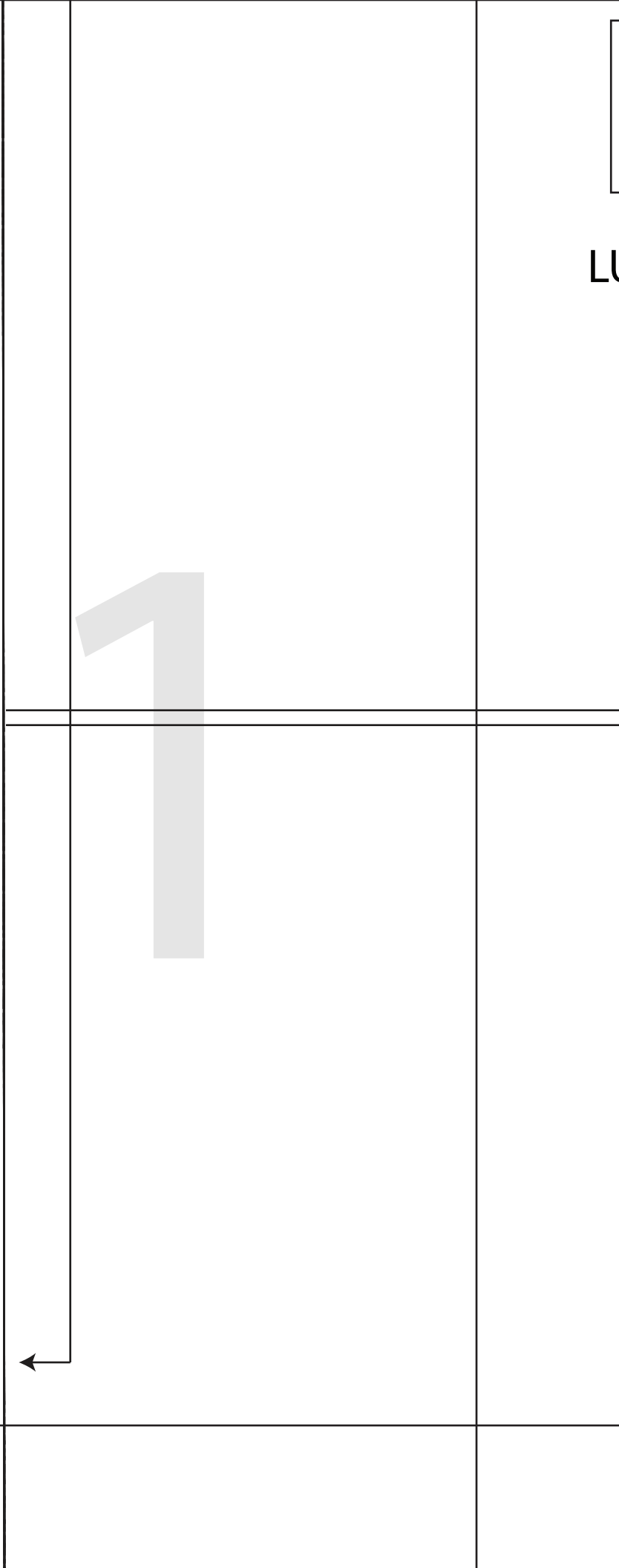
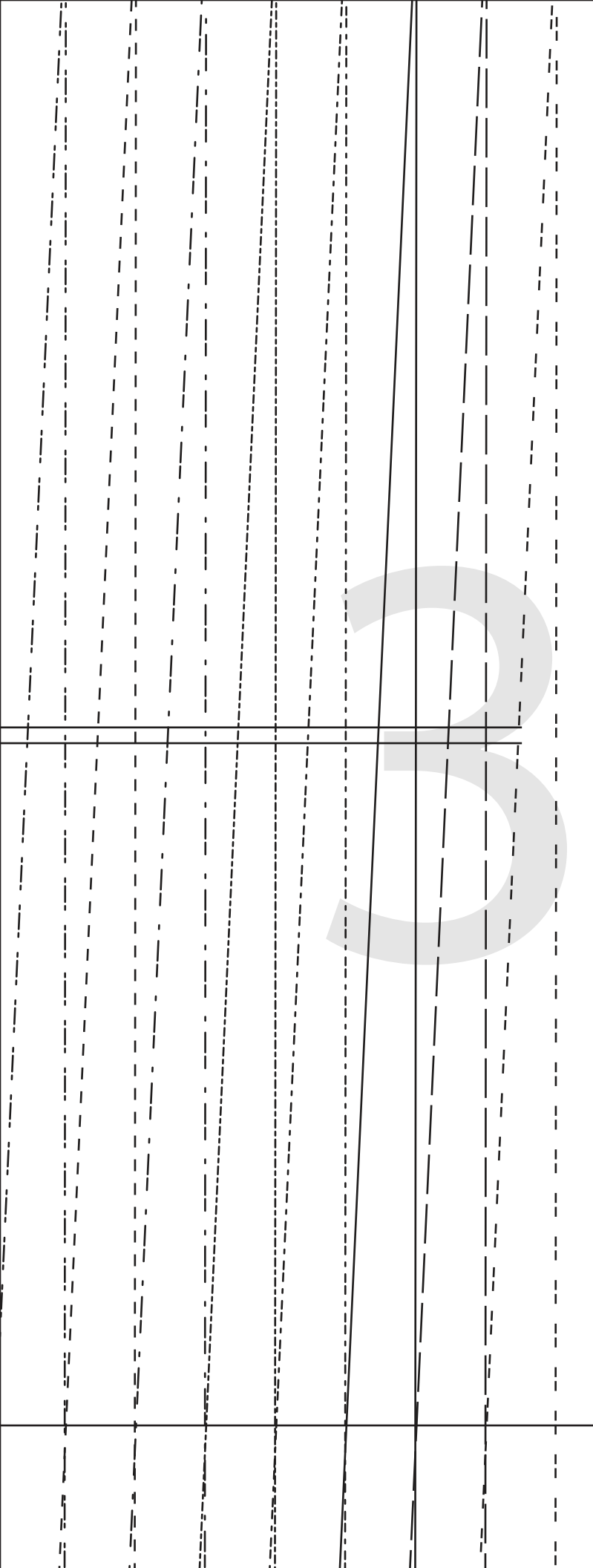
29



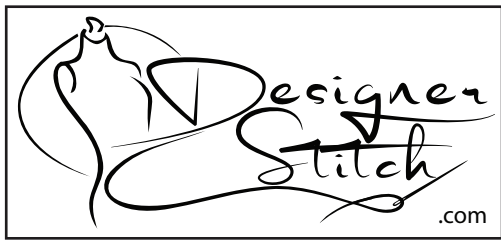
SHORTEN/LENGTHEN HERE

30





LU



LUANA PARTY DRESS

#1123

11

FRONT SKIRT

CUT 1 FOLD

(1.5 cms (5/8") seam allowance
unless otherwise stated)

SHORTEN/LENGTHEN HERE

32

Note
for f



LUANA PARTY DRE

#1123

2

FRONT - D CUI
CUT 1 FOLD

(1.5 cms (5/8") seam allowance
unless otherwise stated)

↑ Note : neckline seam edge
for facing application is
6mm (1/4") ↑



ITY DRESS

23

2

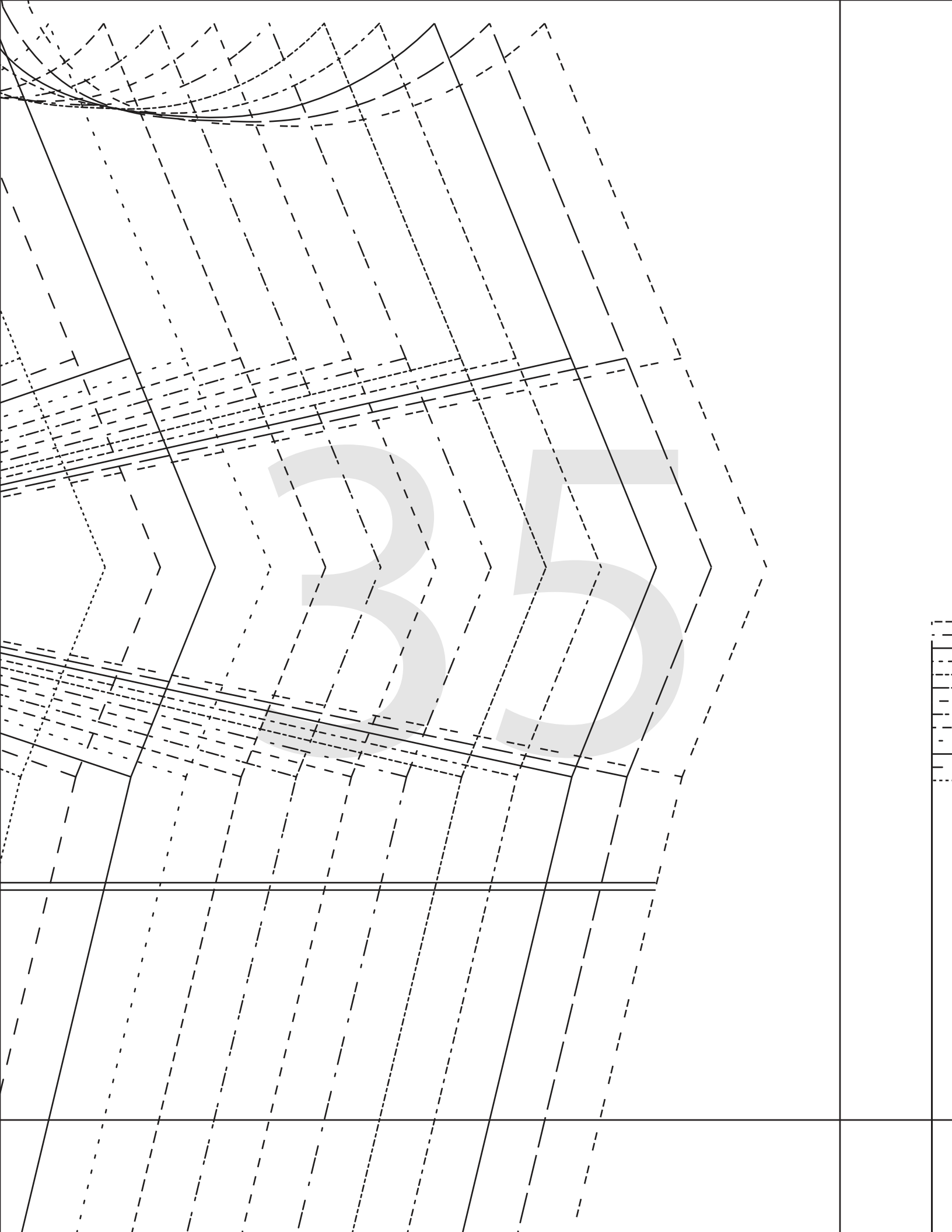
- D CUP
FOLD

(seam allowance
wise stated)



SHORTEN/LENGTHEN HERE

34



37



CUT HERE IF ADDING FLOUNCE. 55 CMS (21 1/2") SKIRT LENGTH

1 cms (3/8")

CUT HERE 55 CMS (21 1/2") SKIRT LENGTH

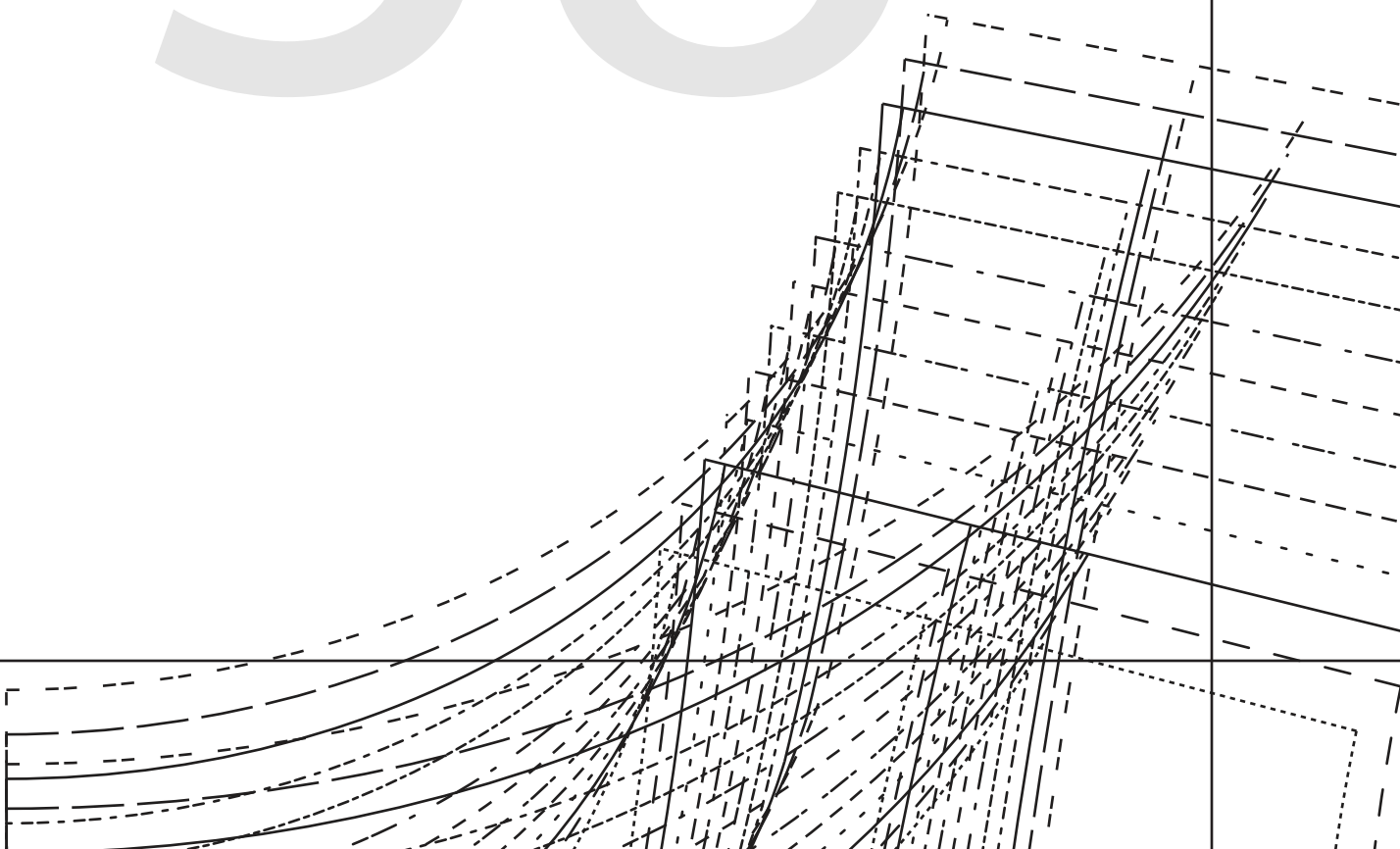
3 cms (1 1/4") HEM ALLOWAN

CUT HERE IF ADDING FLOUNCE. 60 CMS (23 1/2") SKIRT LENGTH

1 cms (3/8") S

CUT HERE 60 CMS (23 1/2") SKIRT LENGTH

3 cms (1 1/4") HEM ALLOWAN

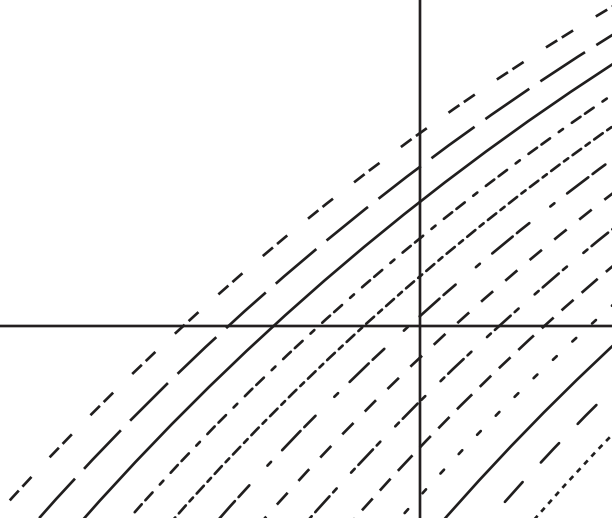
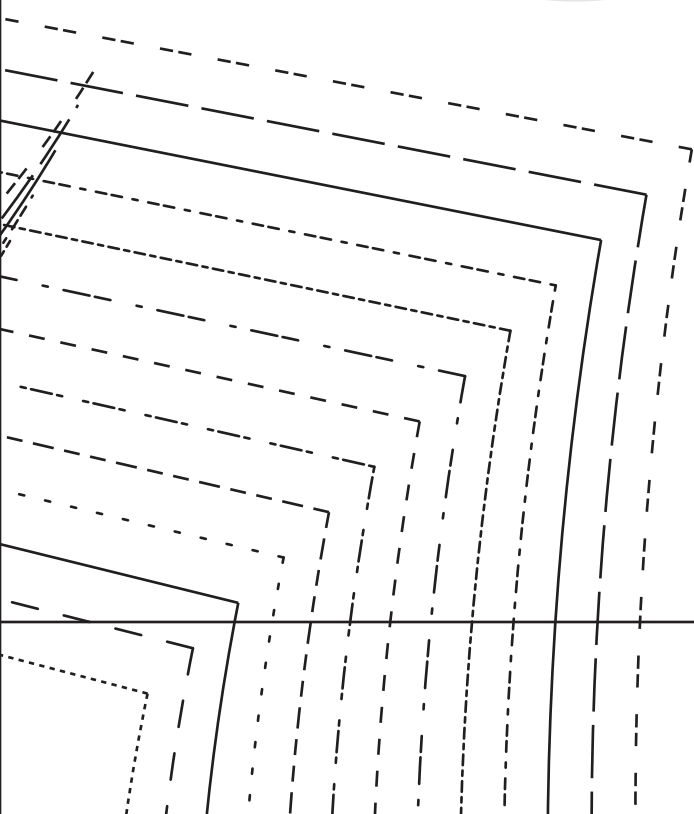


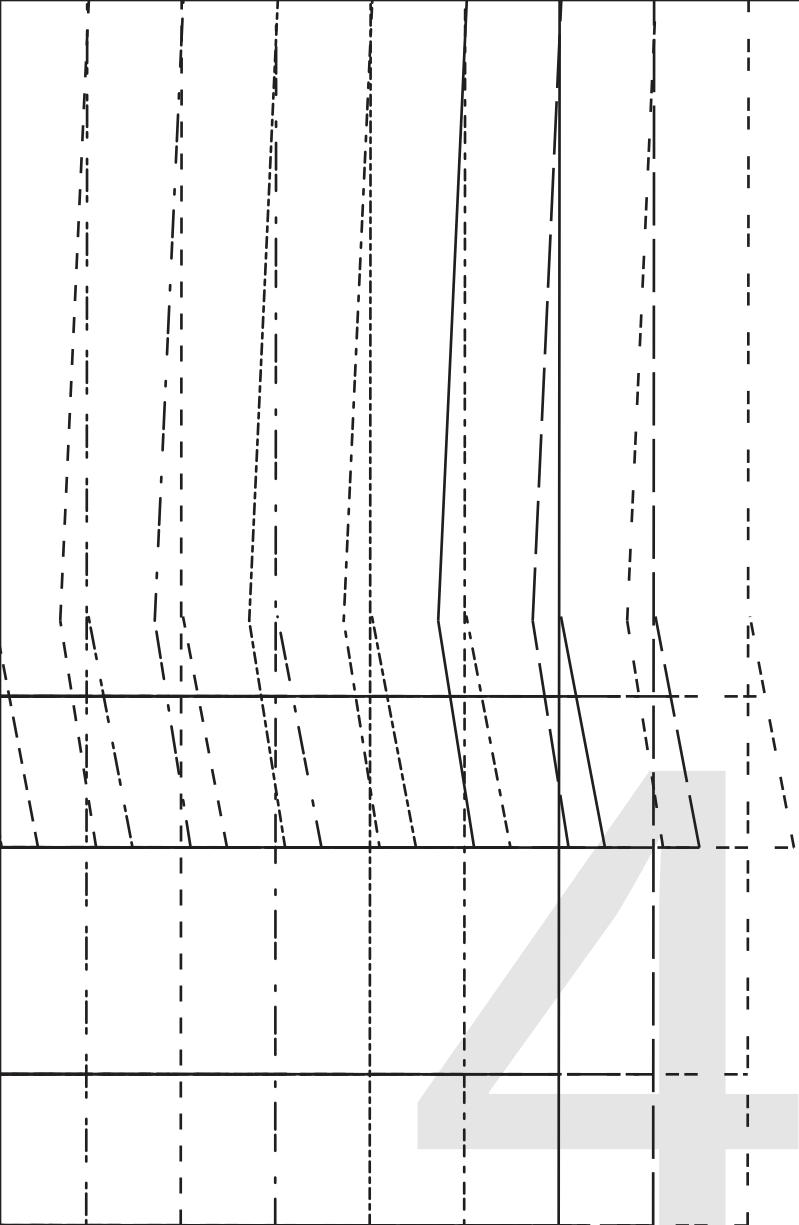
1 cms (3/8") SEAM ALLOWANCE

HEM ALLOWANCE

1 cms (3/8") SEAM ALLOWANCE

HEM ALLOWANCE





CUT HERE IF ADDING FLOUNCE. 55 CMS (21 1/2"") SKIRT LENG

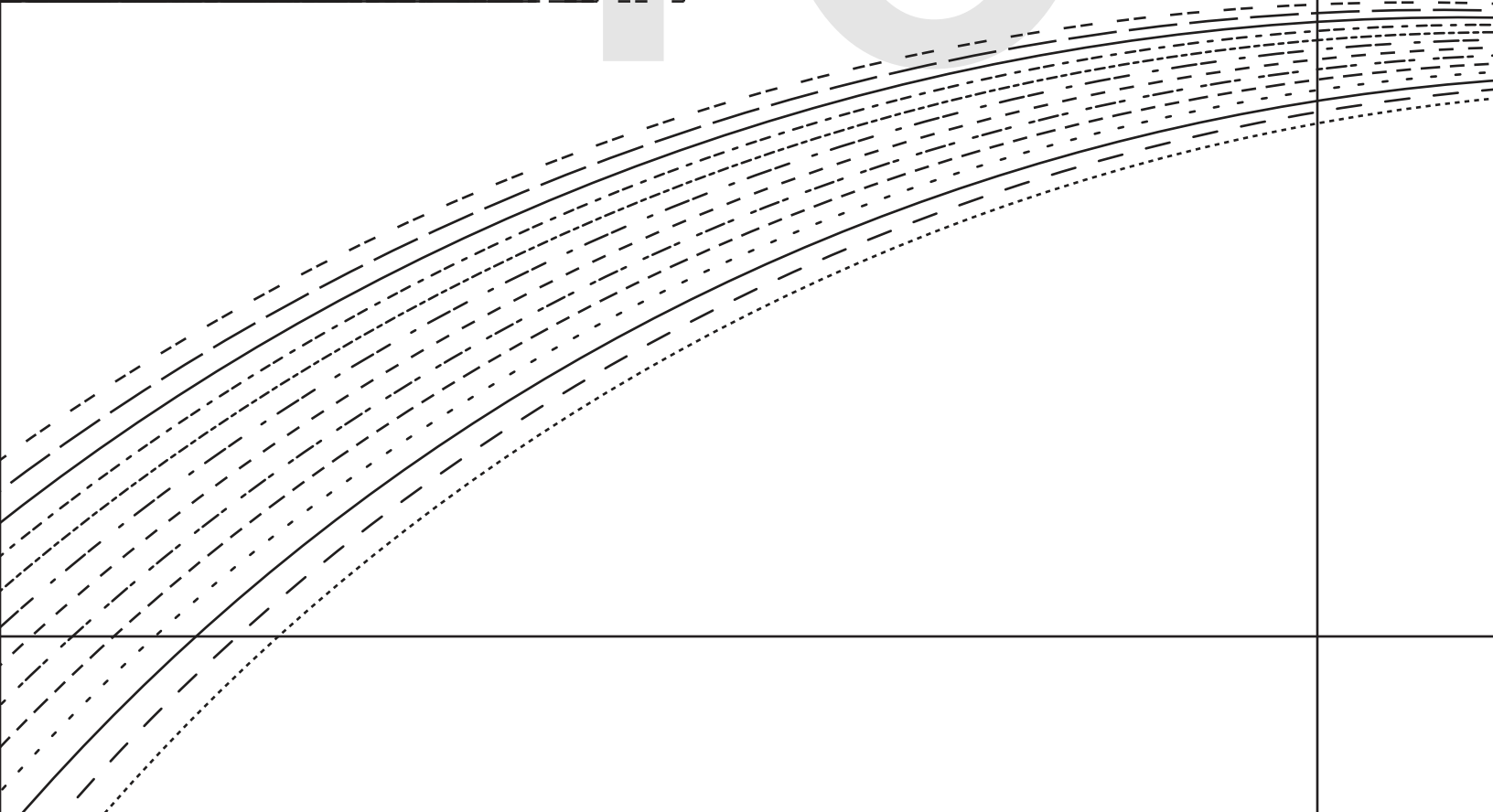
CUT HERE 55 CMS (21 1/2"") SKIRT LENGTH

3 cms (1 1/8"")

CUT HERE IF ADDING FLOUNCE. 60 CMS (23 1/2"") SKIRT LENG

CUT HERE 60 CMS (23 1/2"") SKIRT LENGTH

3 cms (1 1/8"")



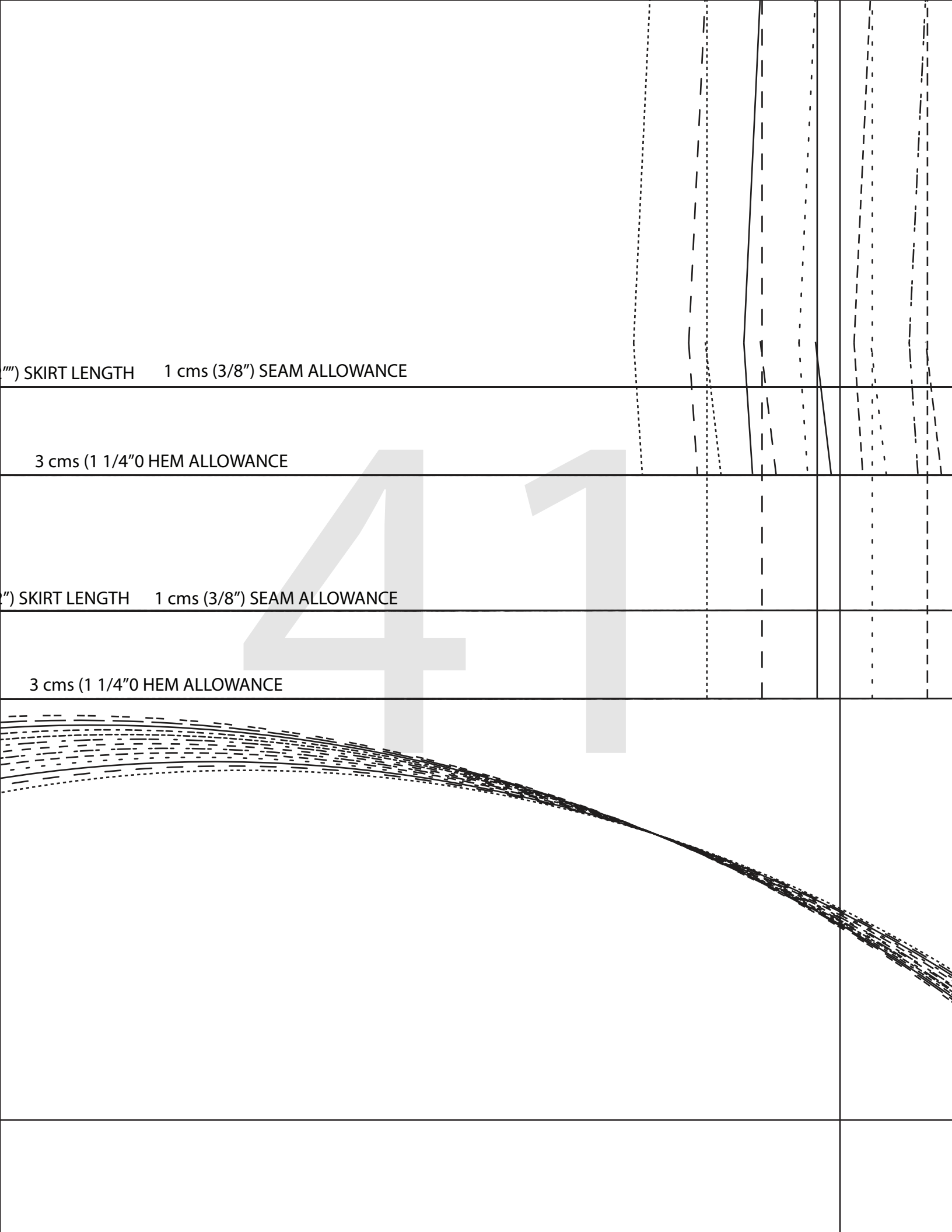
SKIRT LENGTH 1 cms (3/8") SEAM ALLOWANCE

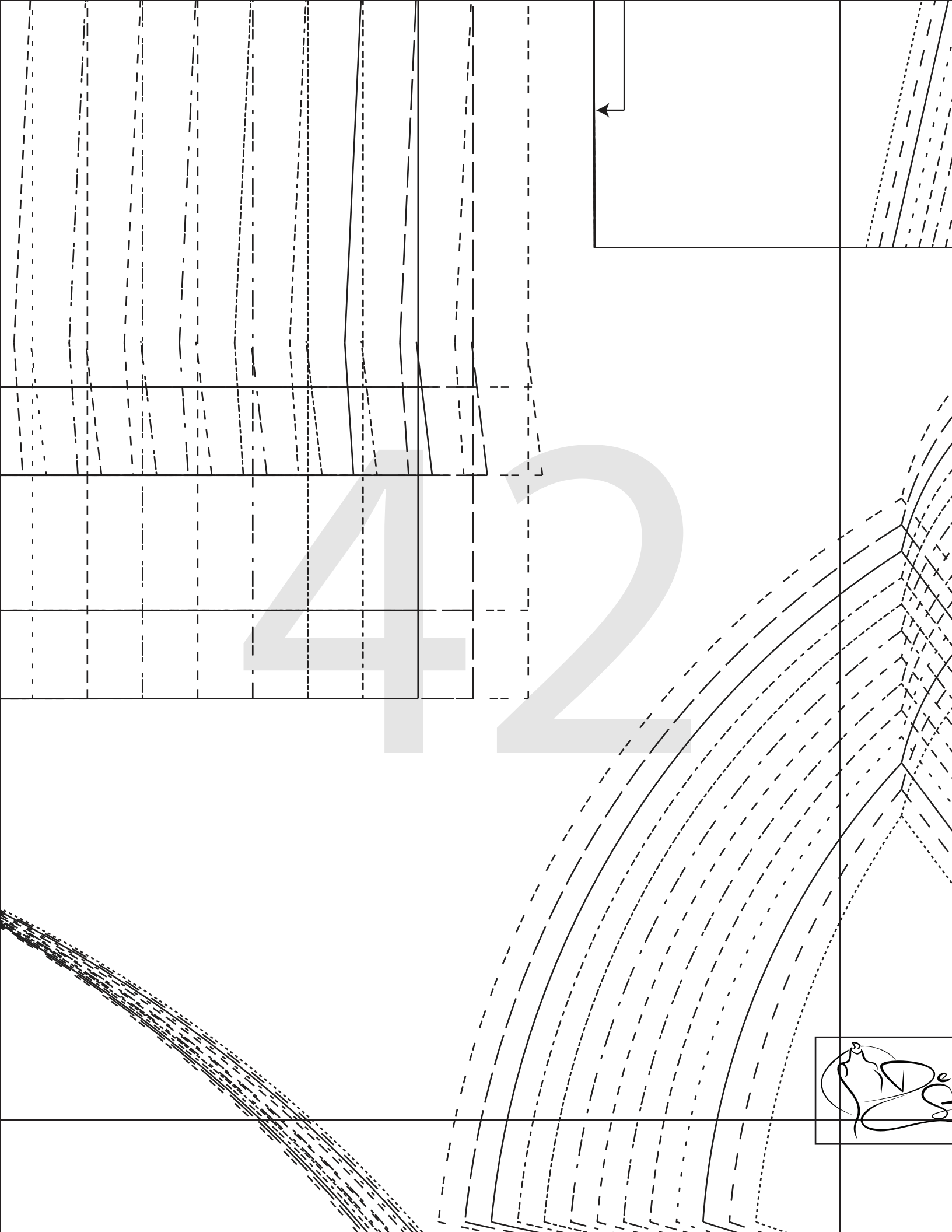
3 cms (1 1/4"0 HEM ALLOWANCE

SKIRT LENGTH 1 cms (3/8") SEAM ALLOWANCE

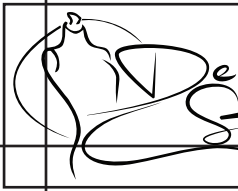
3 cms (1 1/4"0 HEM ALLOWANCE

41





42



1 cms (3/8") SEAM ALLOWANCE

1 cm (3/8") SEAM
ALLOWANCE

LUANA PARTY DRESS
#1123

16

PLEATED CAP SLEEVE
CUT 2 PAIRS

(1 cms (3/8") seam allowance
unless otherwise stated)



44

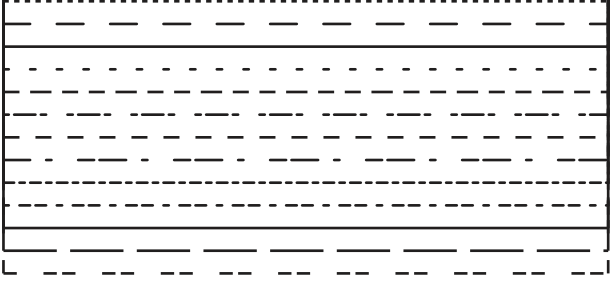
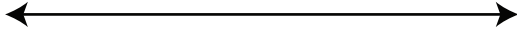
LUANA PARTY DRESS
#1123

17

TAB CAP SLEEVE

CUT 2

(1 cms (3/8") seam allowance
unless otherwise stated)

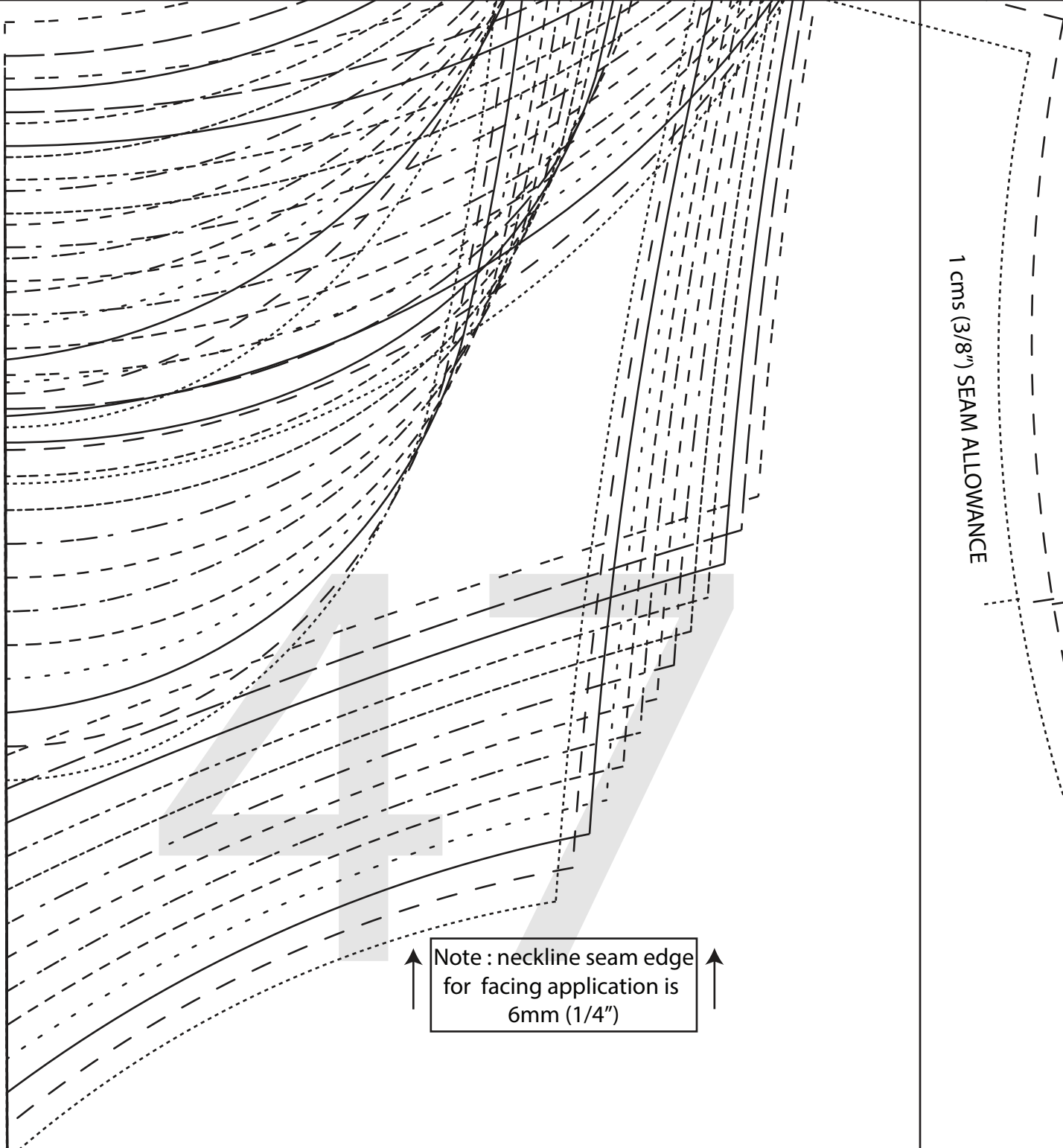


45



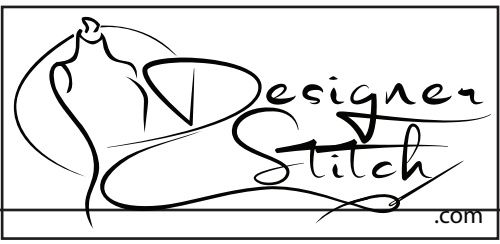
46





1 cms (3/8") SEAM ALLOWANCE

Note : neckline seam edge
for facing application is
6mm (1/4")



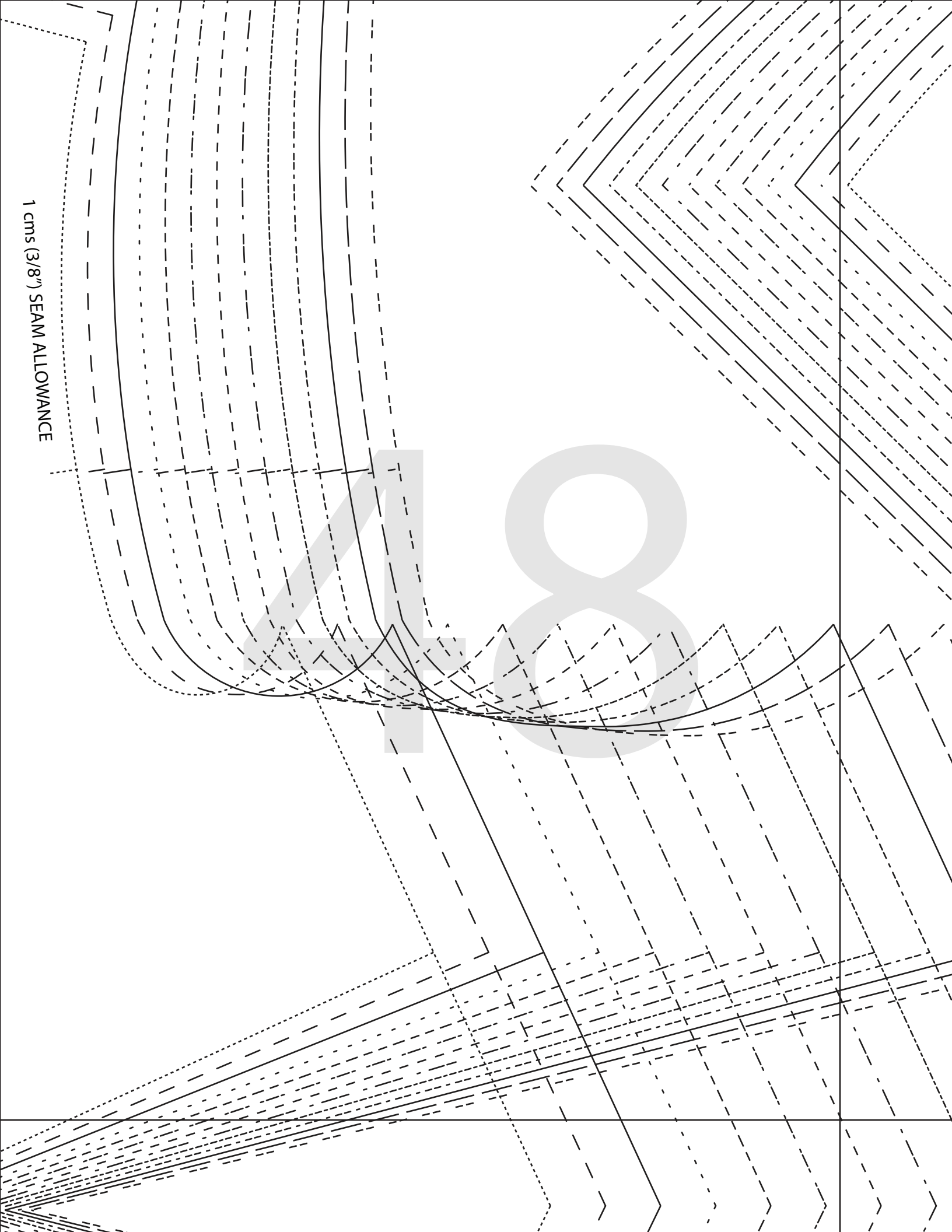
LUANA PARTY DRESS

#1123



1 cms (3/8") SEAM ALLOWANCE

48



49

6mm (1/4") SEAM ALLOWANCE

LUANA PARTY DRESS
#1123



3

ROUND NECK/SCOOP NECK

BACK FACING

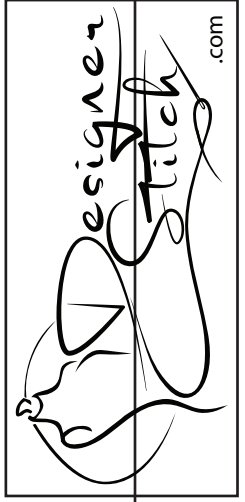
CUT 1 FOLD -

MAIN/INTERFACING

(1.5 cms (5/8") seam allowance
unless otherwise stated)

50

1 CMS (3/8" SEAM ALLOWANCE)





LUANA PARTY DRESS

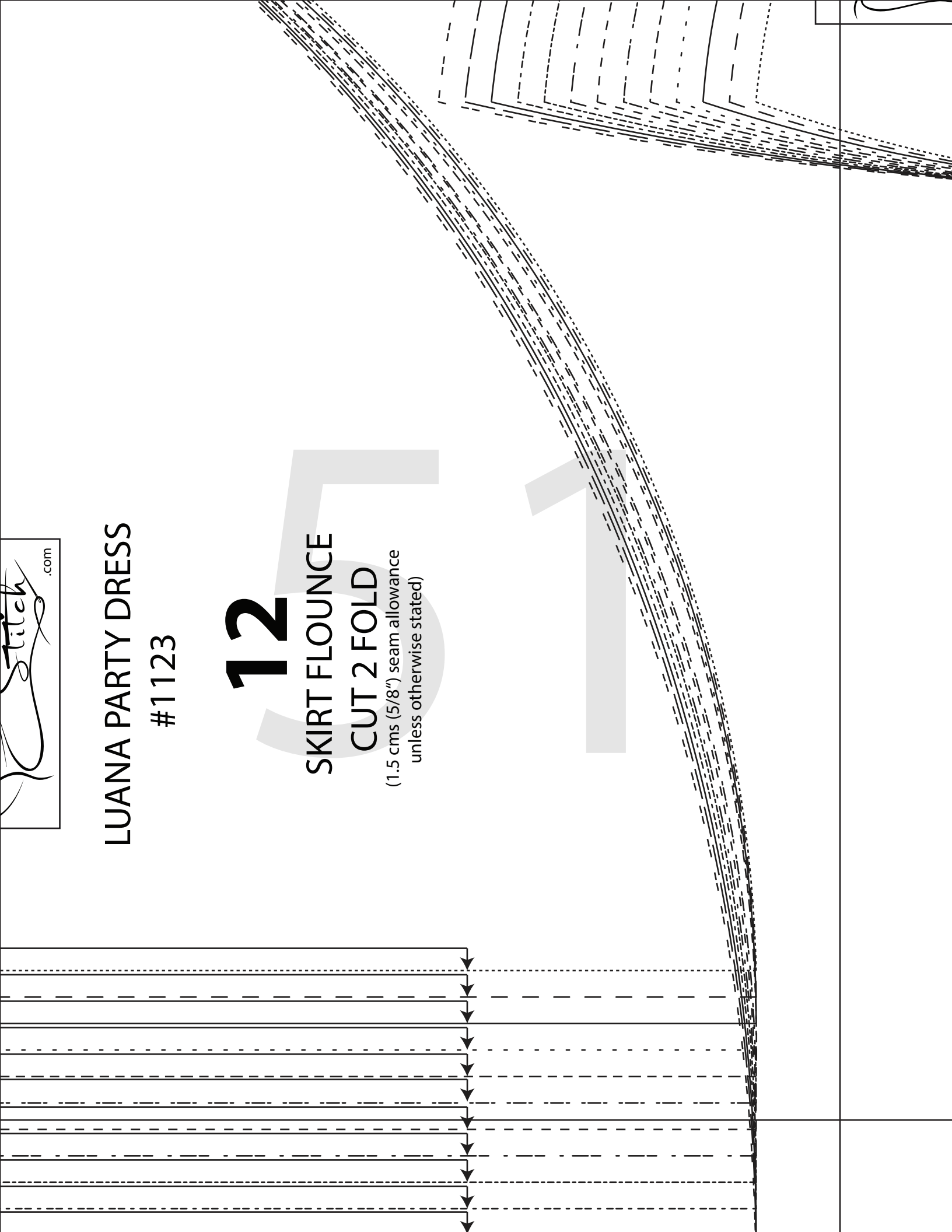
#11123

12

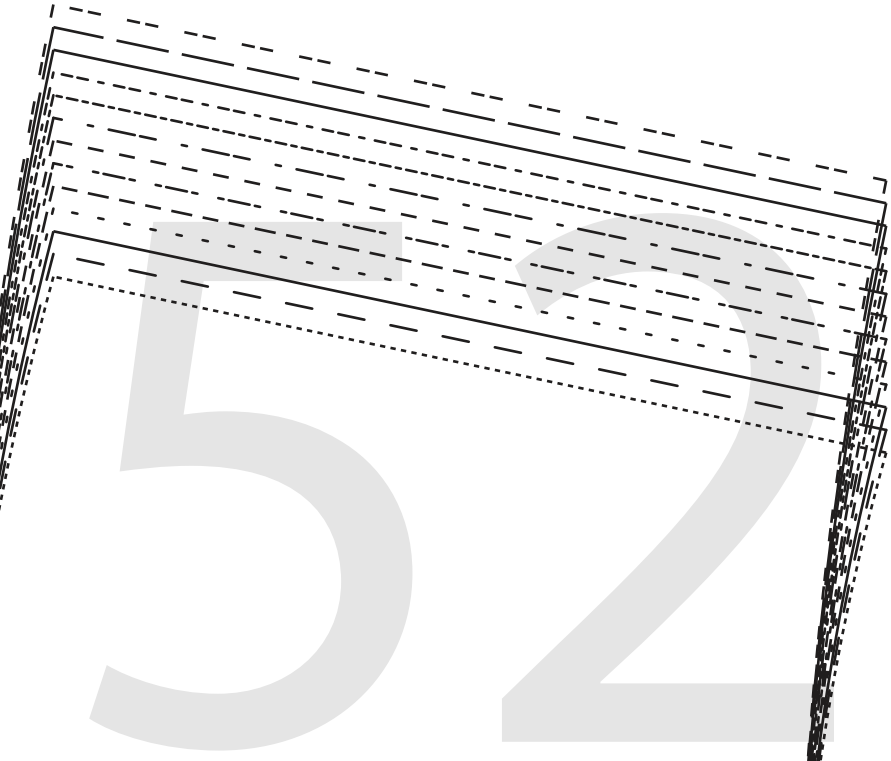
SKIRT FLOUNCE

CUT 2 FOLD

(1.5 cms (5/8") seam allowance
unless otherwise stated)



6mm (1/4") SEAM ALLOWANCE



LUANA PARTY DRESS
#11123

14

GATHERED BISHOP SLEEVE

CUT 2

(6 mms (1/4") seam allowance
unless otherwise stated)

53

0 SEAM ALLOWANCE





4

55



LUANA PARTY DRESS
#1123



2

FRONT - DD CUP

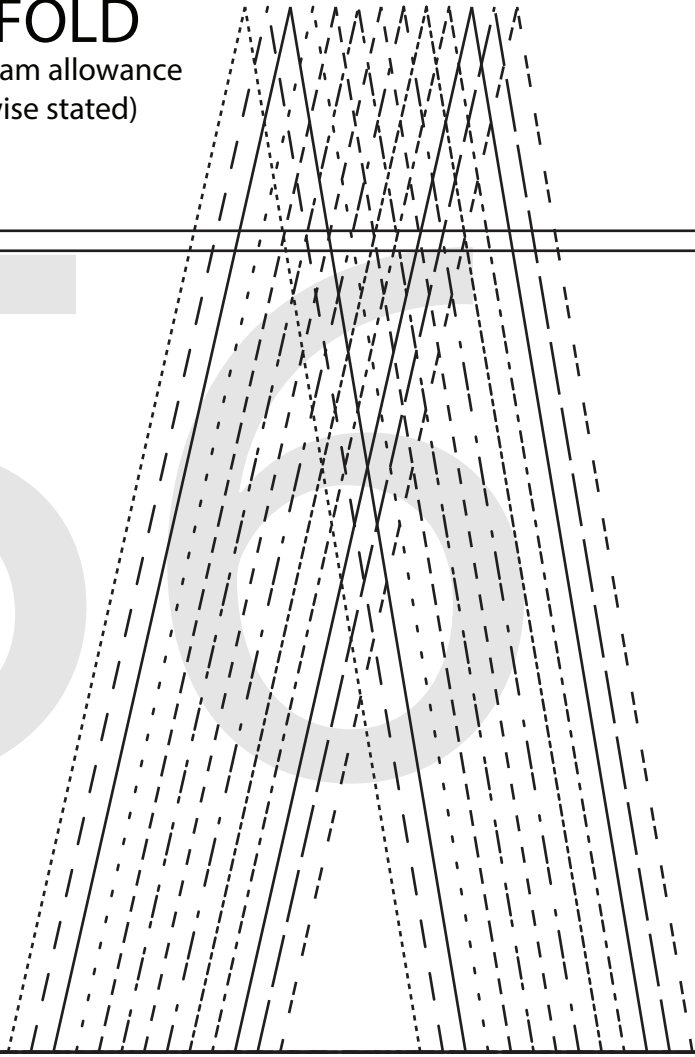
CUT 1 FOLD

(1.5 cms (5/8") seam allowance
unless otherwise stated)

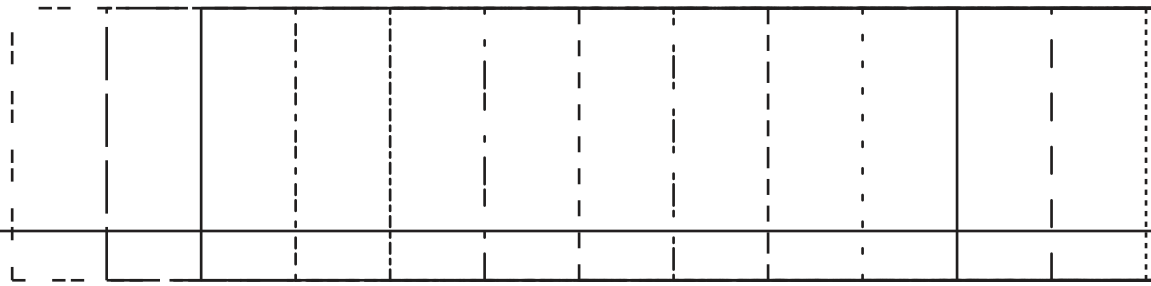
SHO

5

5



1 cms (3/8") SEA



SHORTEN/LENGTHEN HERE

57

cms (3/8") SEAM ALLOWANCE

LUANA PARTY DRESS
#1123

18

ARMHOLE BIND
CUT 2

(1.0 cms (3/8") seam allowance
unless otherwise stated)



ROUND NECK/SCOOP NECK
BACK FACING
CUT 1 FOLD -
MAIN/INTERFACING
(1.5 cms (5/8") seam allowance
unless otherwise stated)

6mm (1/4") SEAM ALLOWANCE

LUANA PARTY DRESS
#1123

5

BOAT NECK BACK FACING
CUT 1 FOLD -
MAIN/INTERFACING
(1.5 cms (5/8") seam allowance
unless otherwise stated)

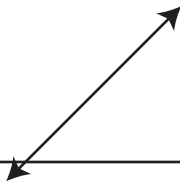


6mm (1/4") SEAM ALLOWANCE

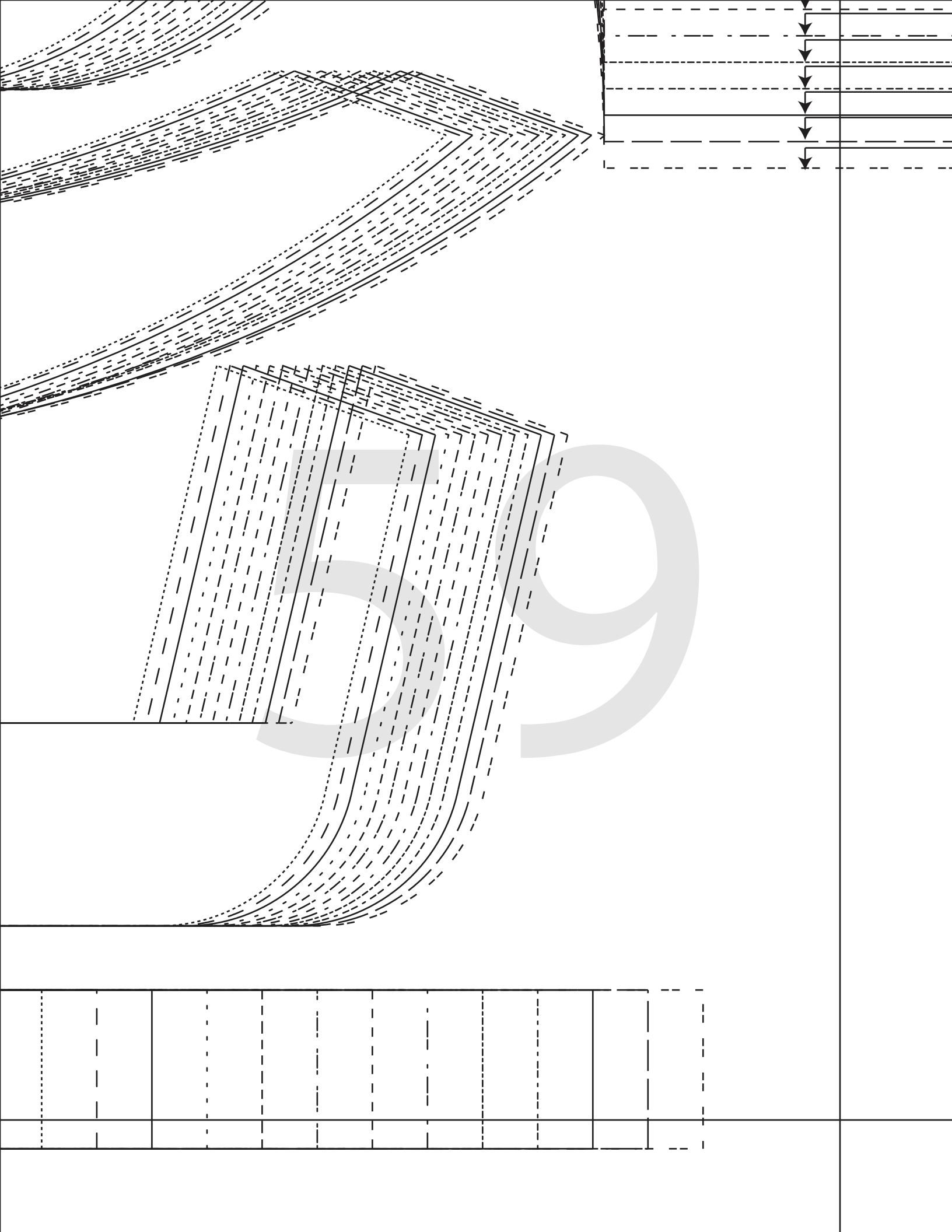
LUANA PARTY DRESS
#1123

4

SWEET HEART NECK
BACK FACING
CUT 1 FOLD -
MAIN/INTERFACING
(1.5 cms (5/8") seam allowance
unless otherwise stated)



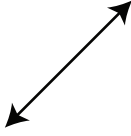
58



LUANA PARTY DRESS
#1123

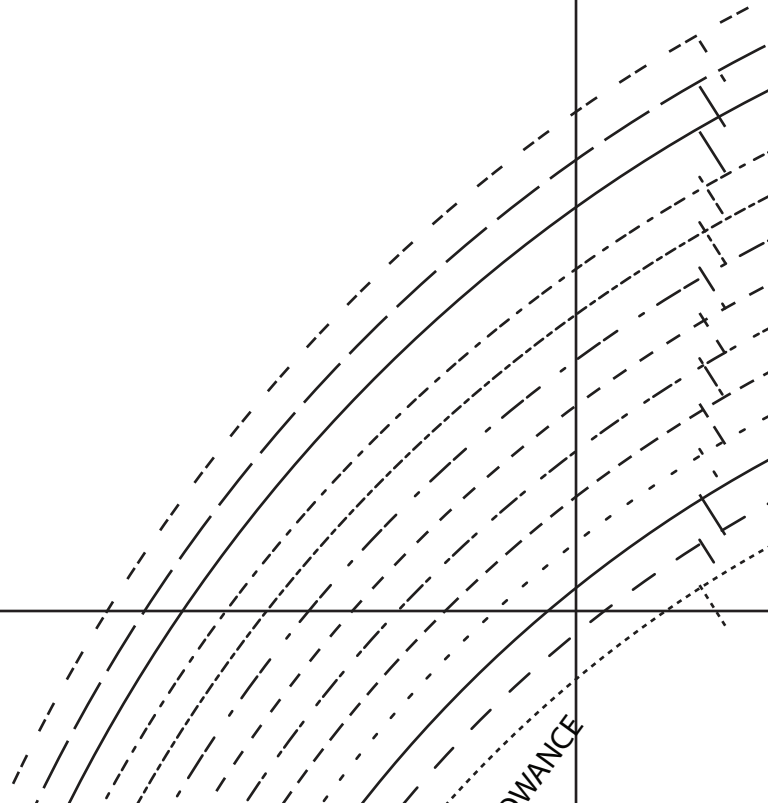
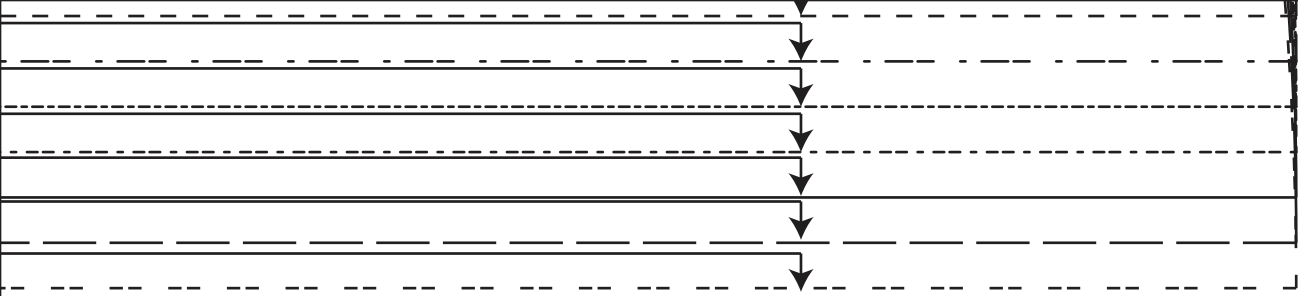
15

GATHERED BISHOP
SLEEVE PLACKET
CUT 2

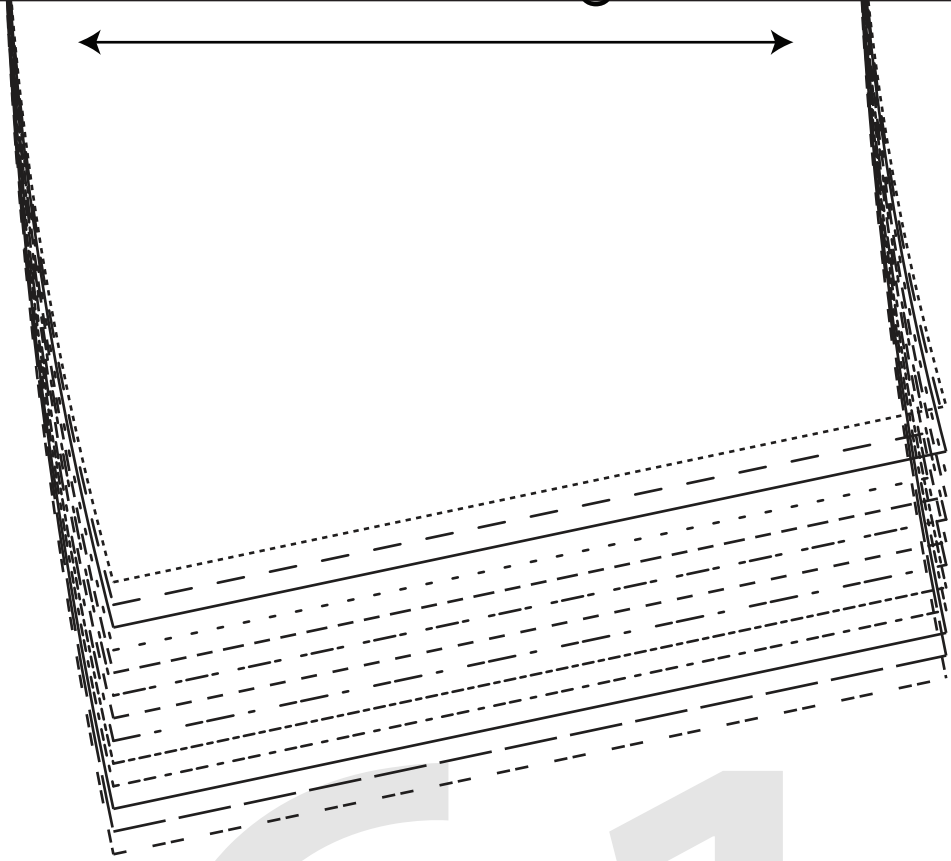


(6 mm) (1/4") seam allowance
unless otherwise stated

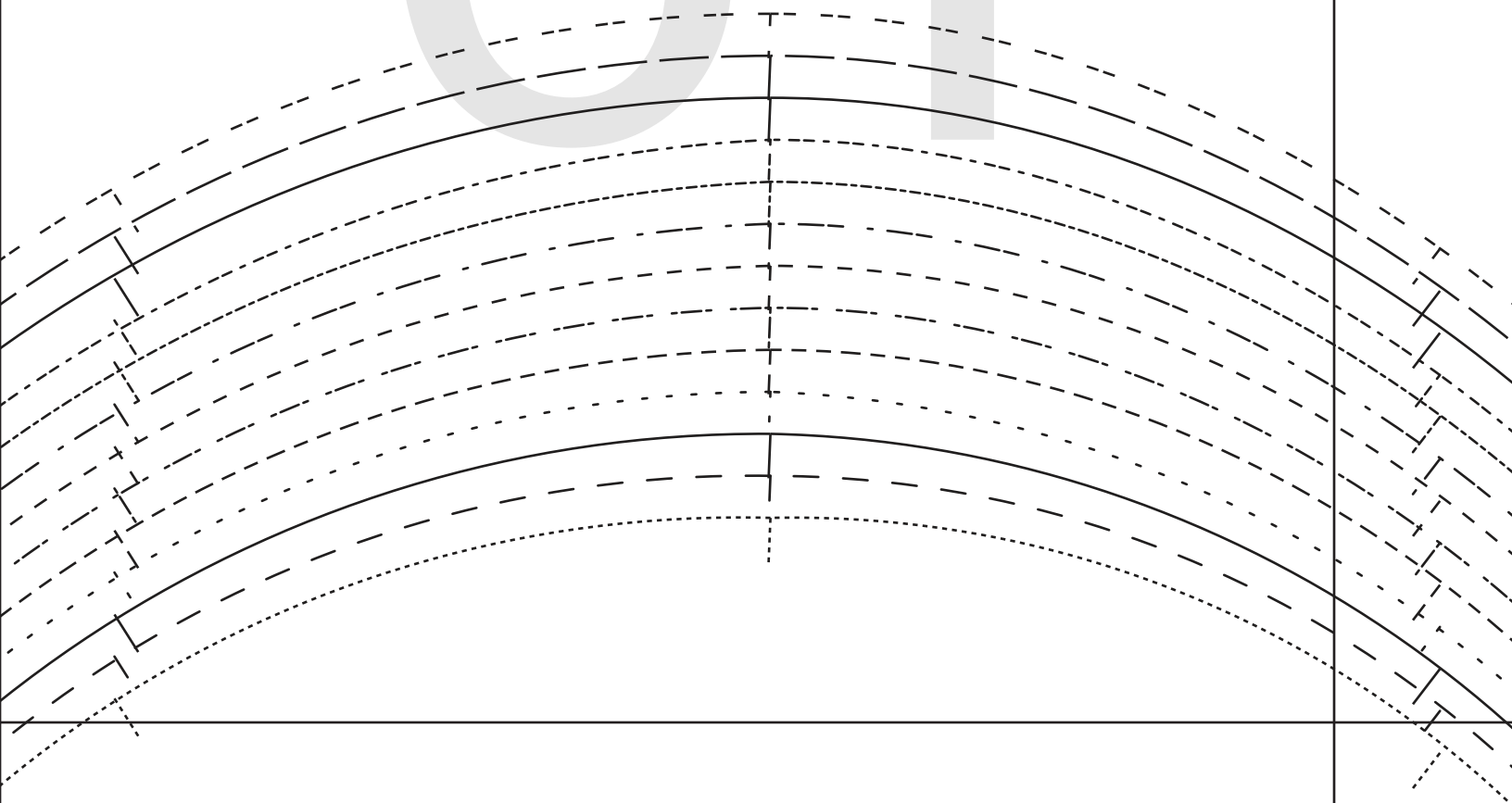
60



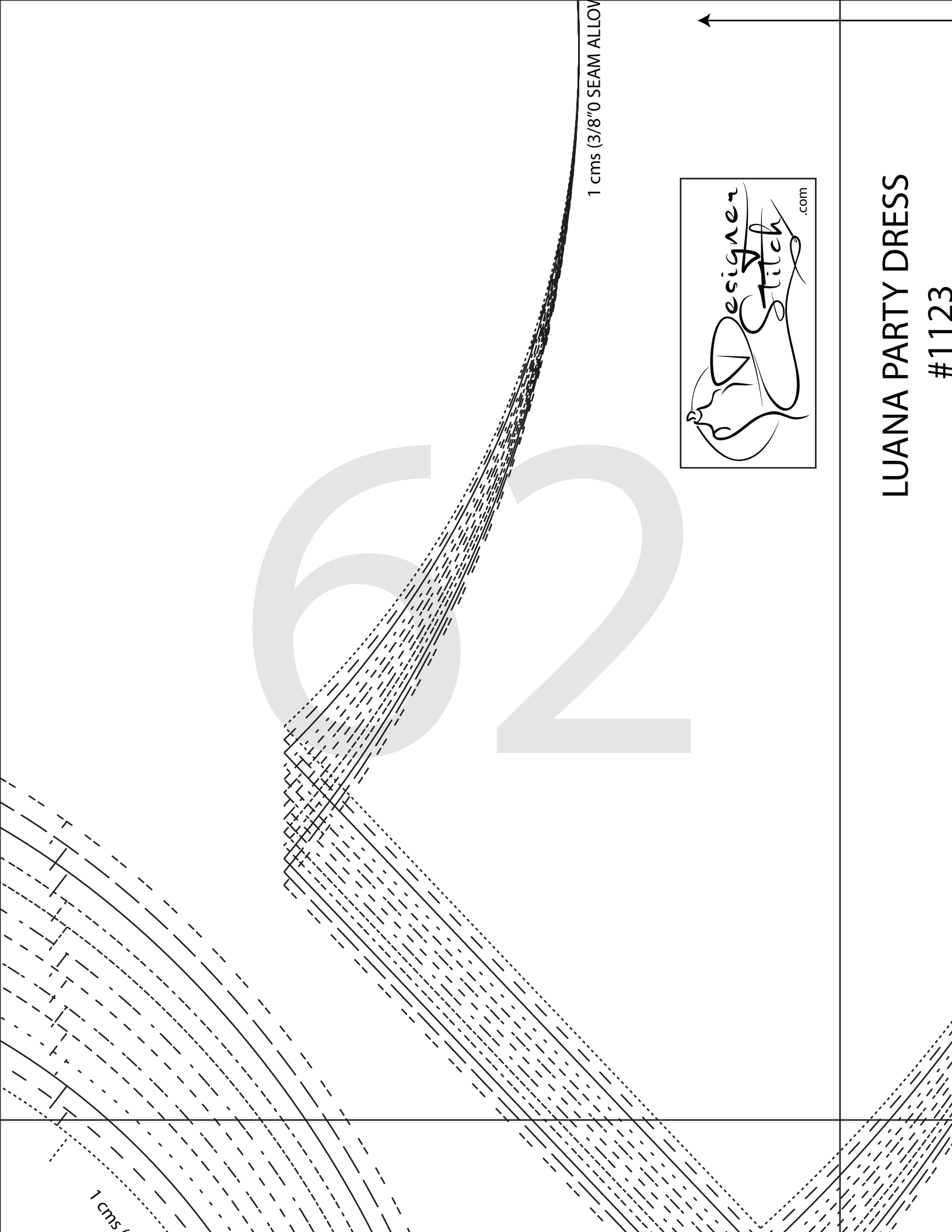
WANCE



61



1 cm



1 cms (3/8"0 SEAM ALLOW



LUANA PARTY DRESS

#1123

1 cms

LUANA PARTY DRESS

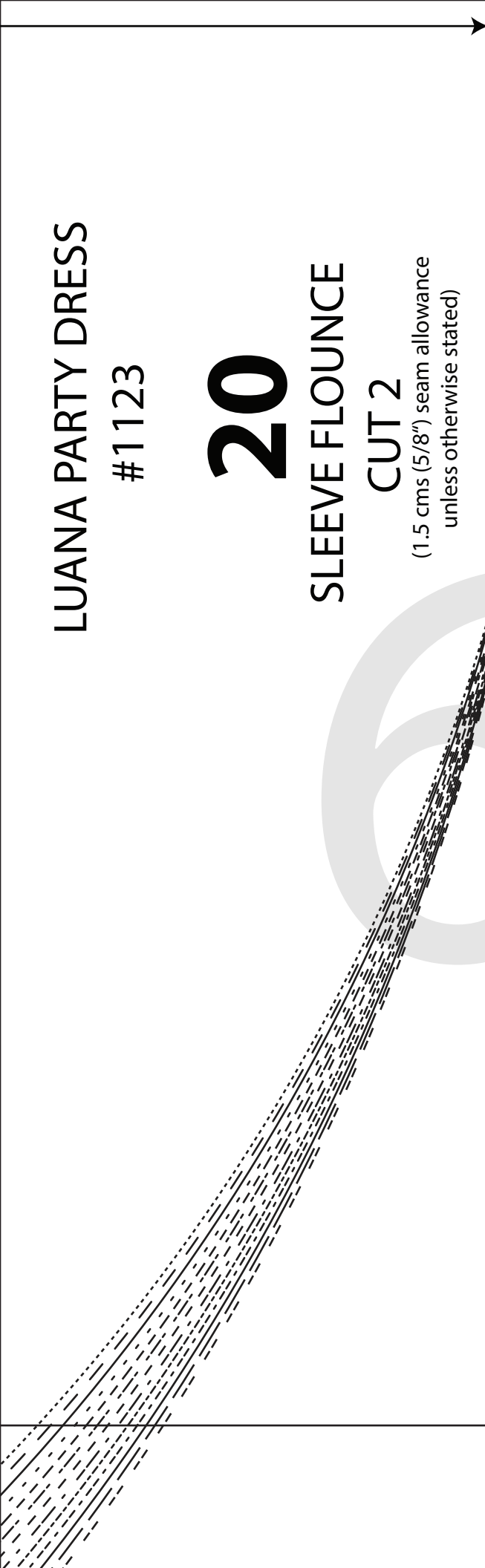
#11123

20

SLEEVE FLOUNCE

CUT 2

(1.5 cms (5/8") seam allowance
unless otherwise stated)



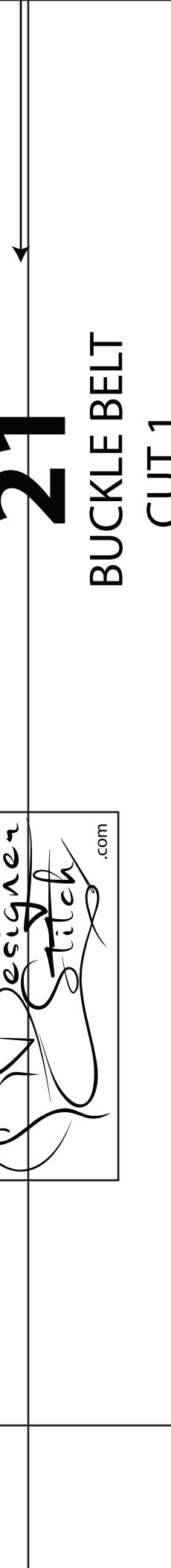
LUANA PARTY DRESS

#11123

21

BUCKLE BELT

CUT 1





21

BUCKLE BELT

CUT 1

(6 mms (1/4") seam allowance
unless otherwise stated)

64

LUANA PARTY DRESS

#1123

22

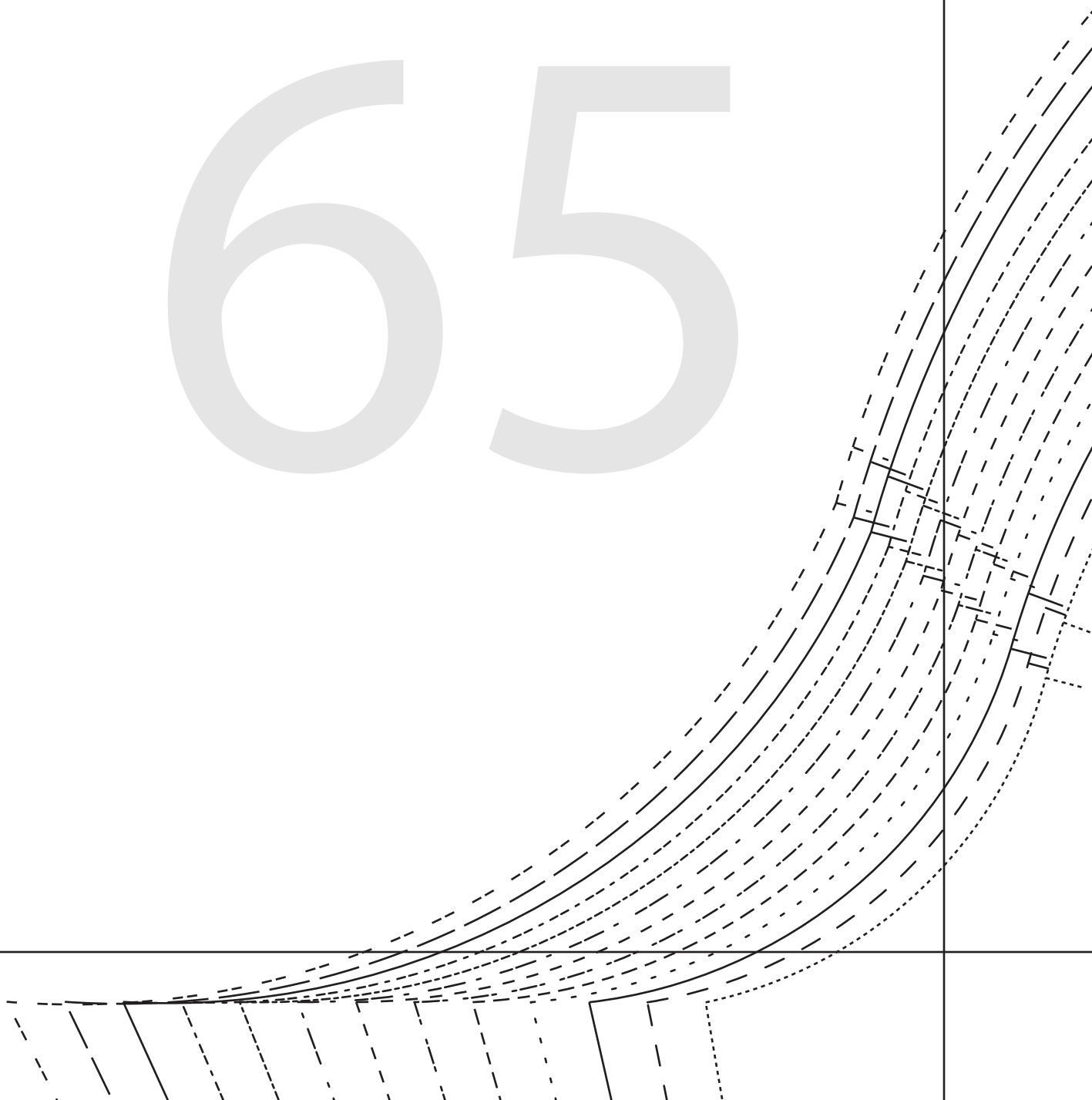
TIE BELT

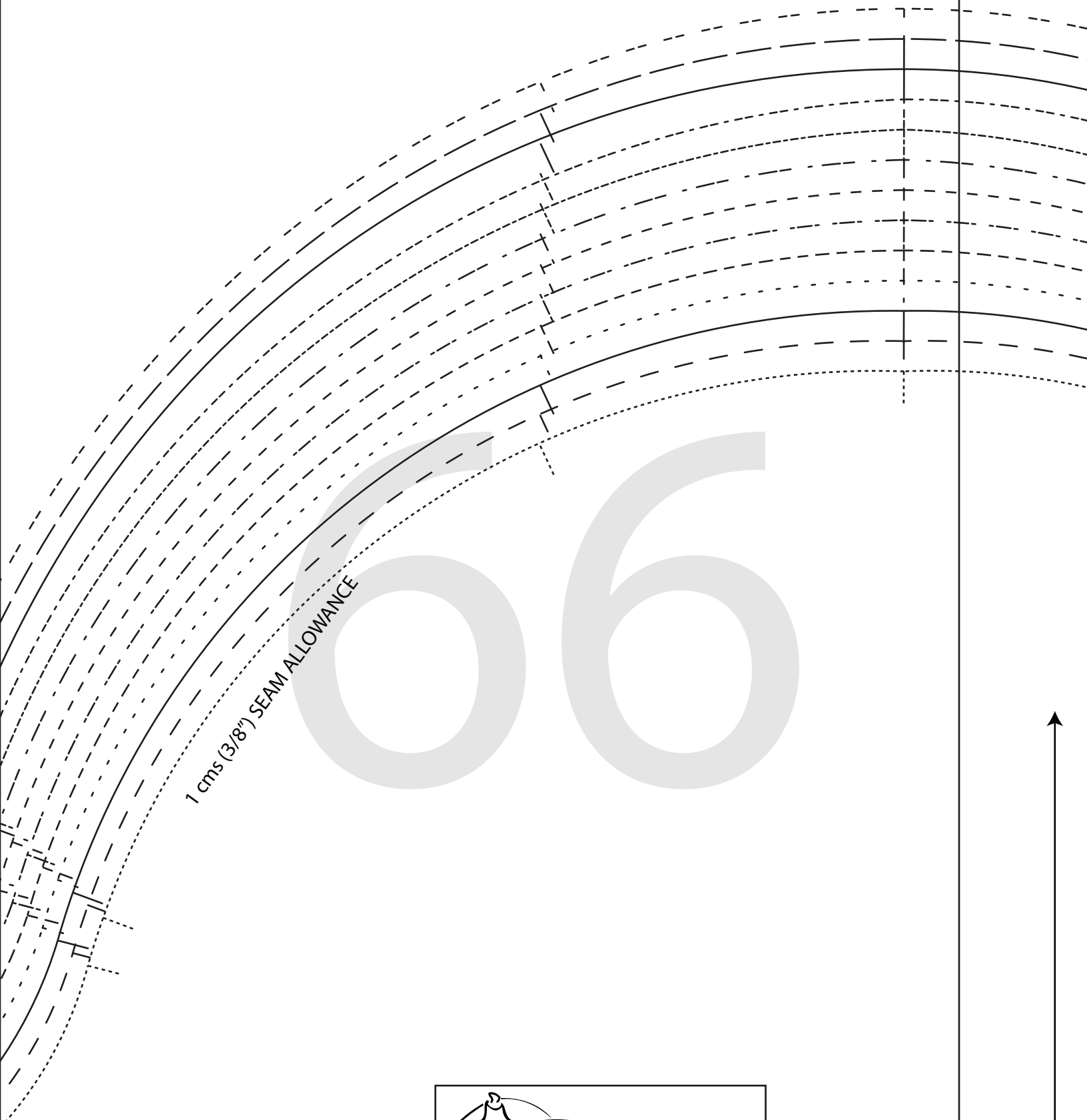
CUT 2

(1cms (3/8") seam allowance
unless otherwise stated)



65

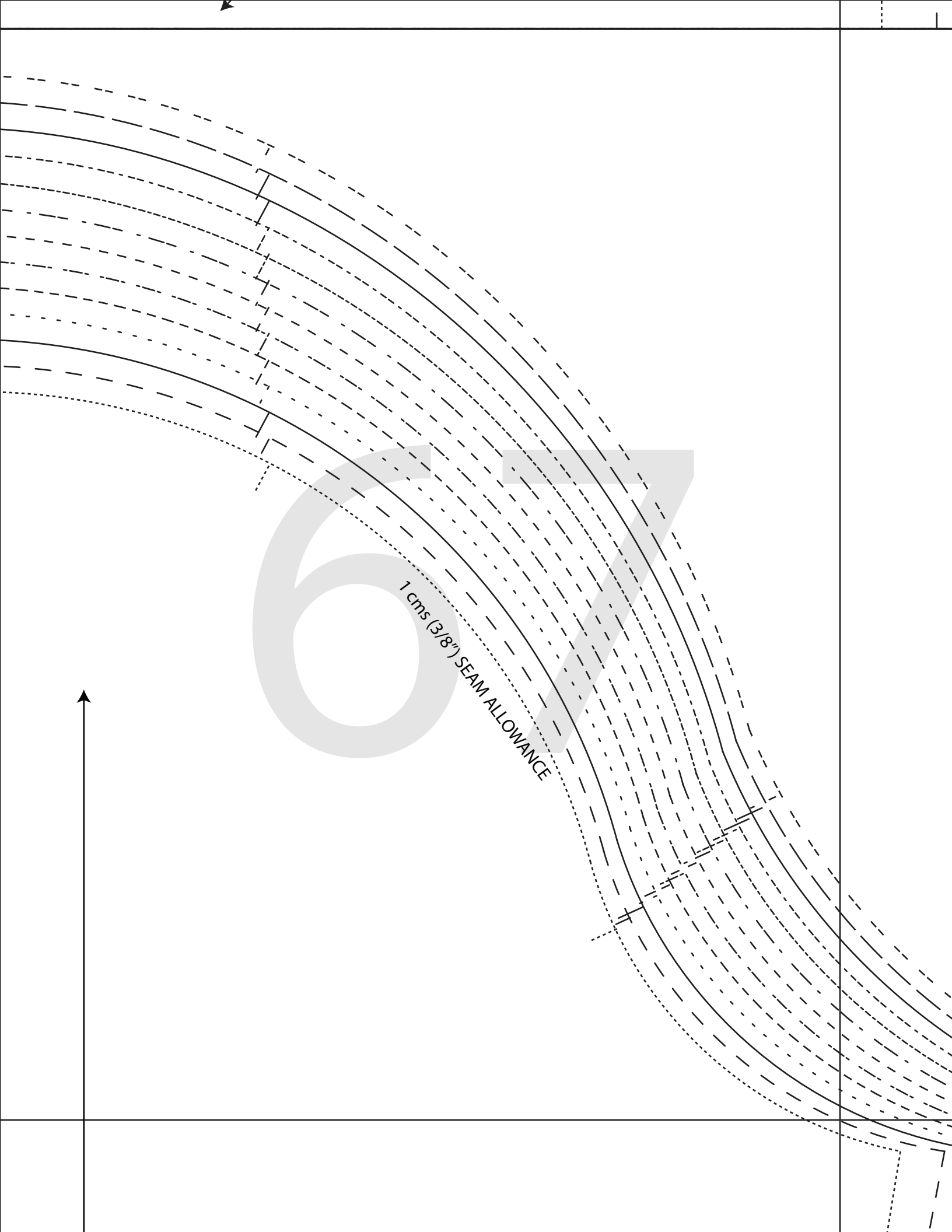




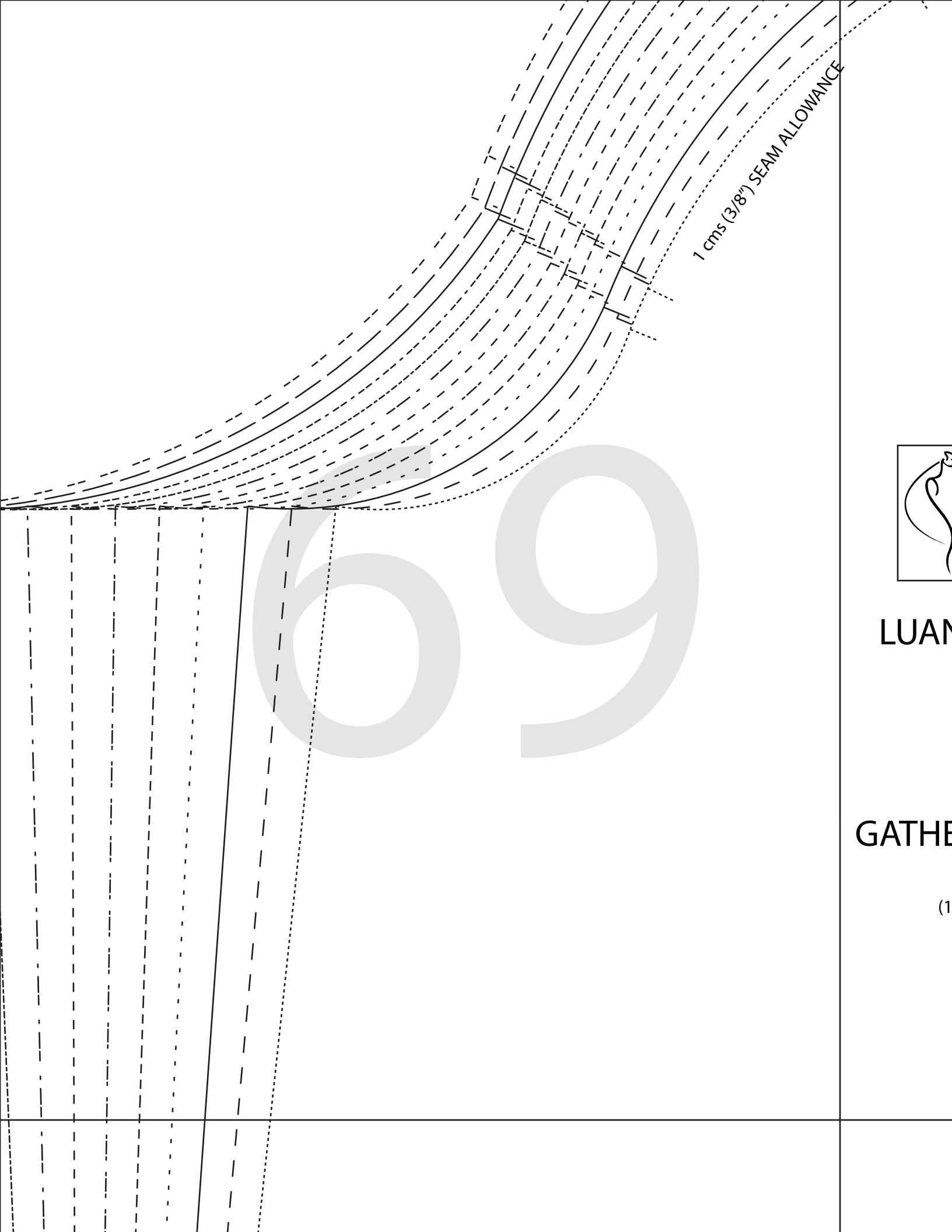
1 cms (3/8") SEAM ALLOWANCE

06





68



1 cms (3/8") SEAM ALLOWANCE

69



LUAN

GATHE

(1



LUANA PARTY DRESS
#1123

13

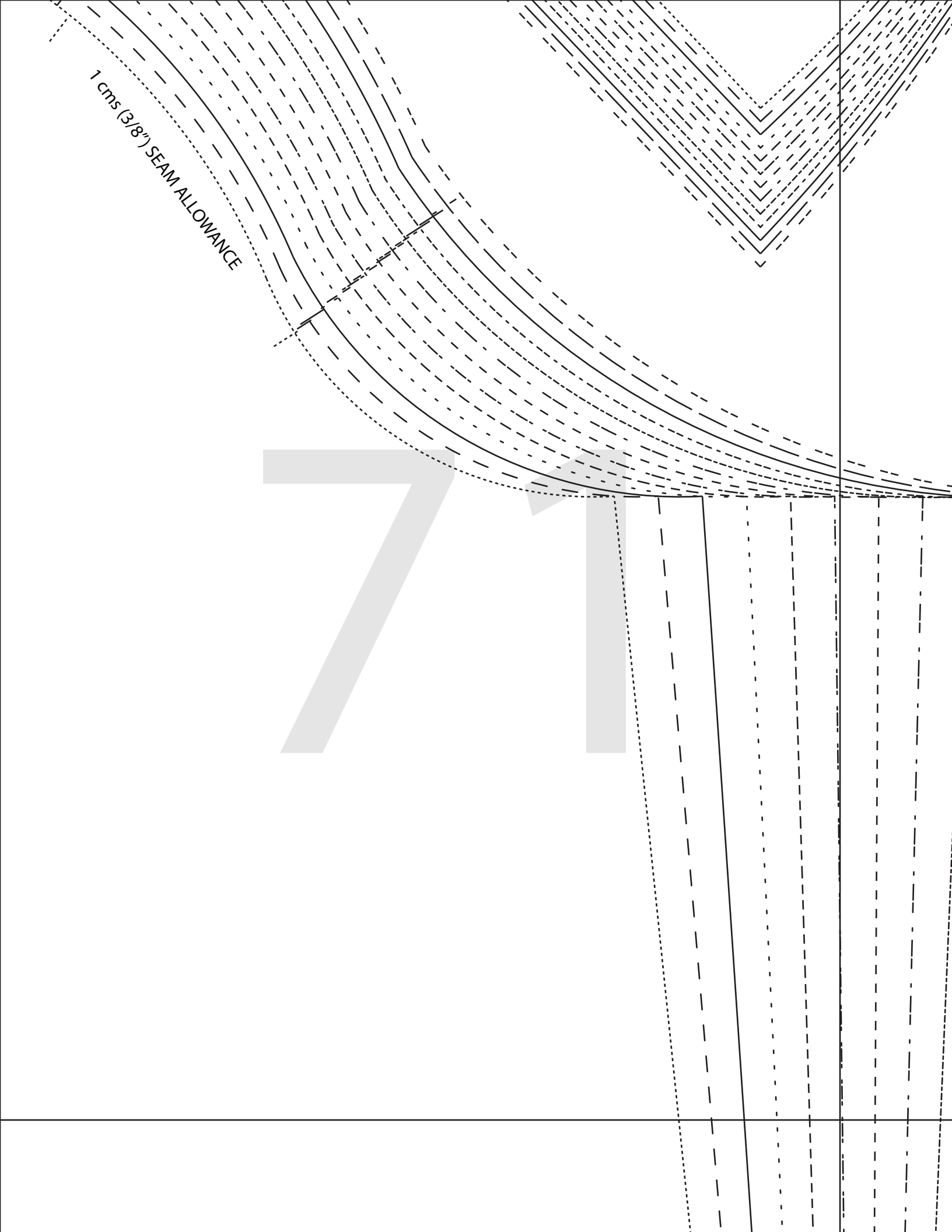
GATHERED BISHOP SLEEVE
CUT 2

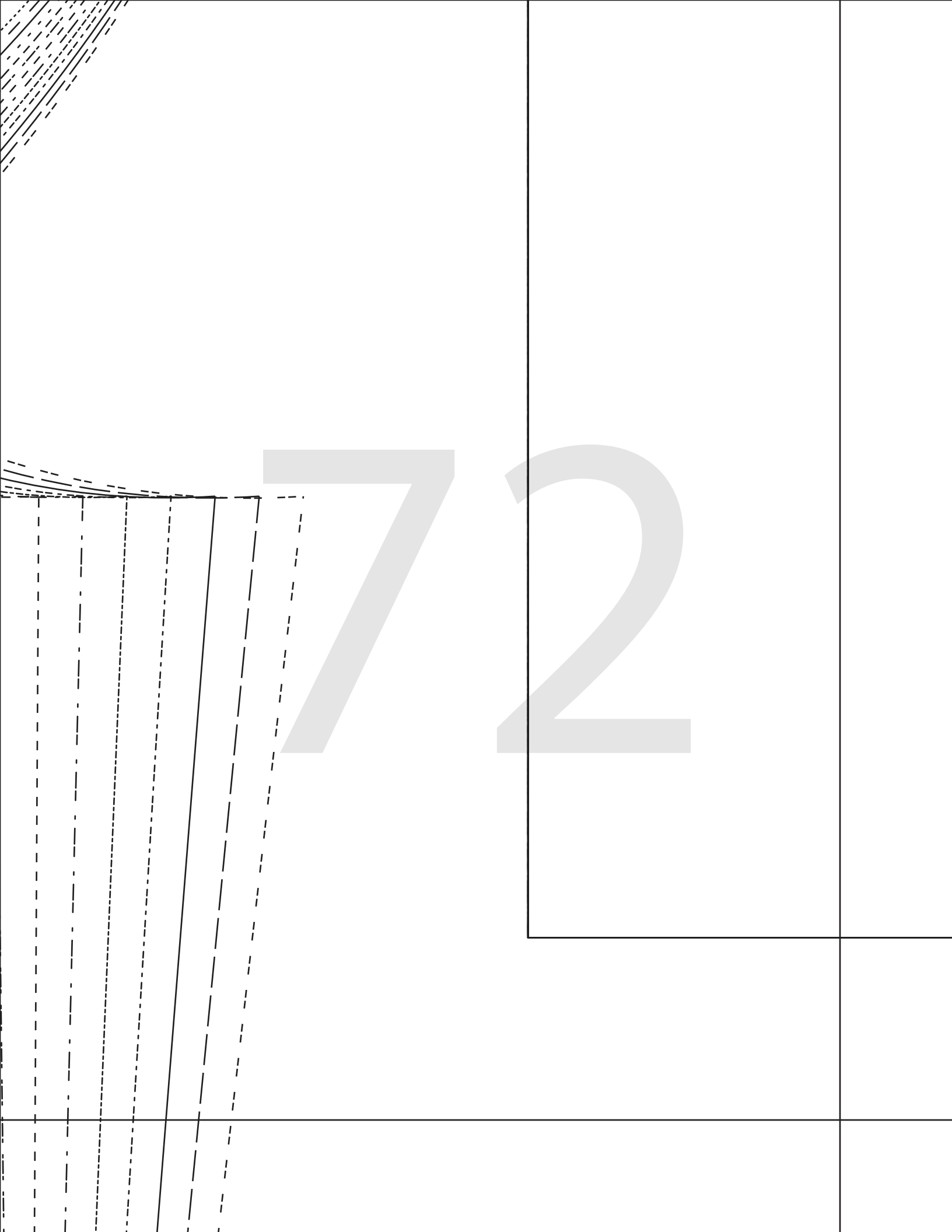
(1.5 cms (5/8") seam allowance
unless otherwise stated)



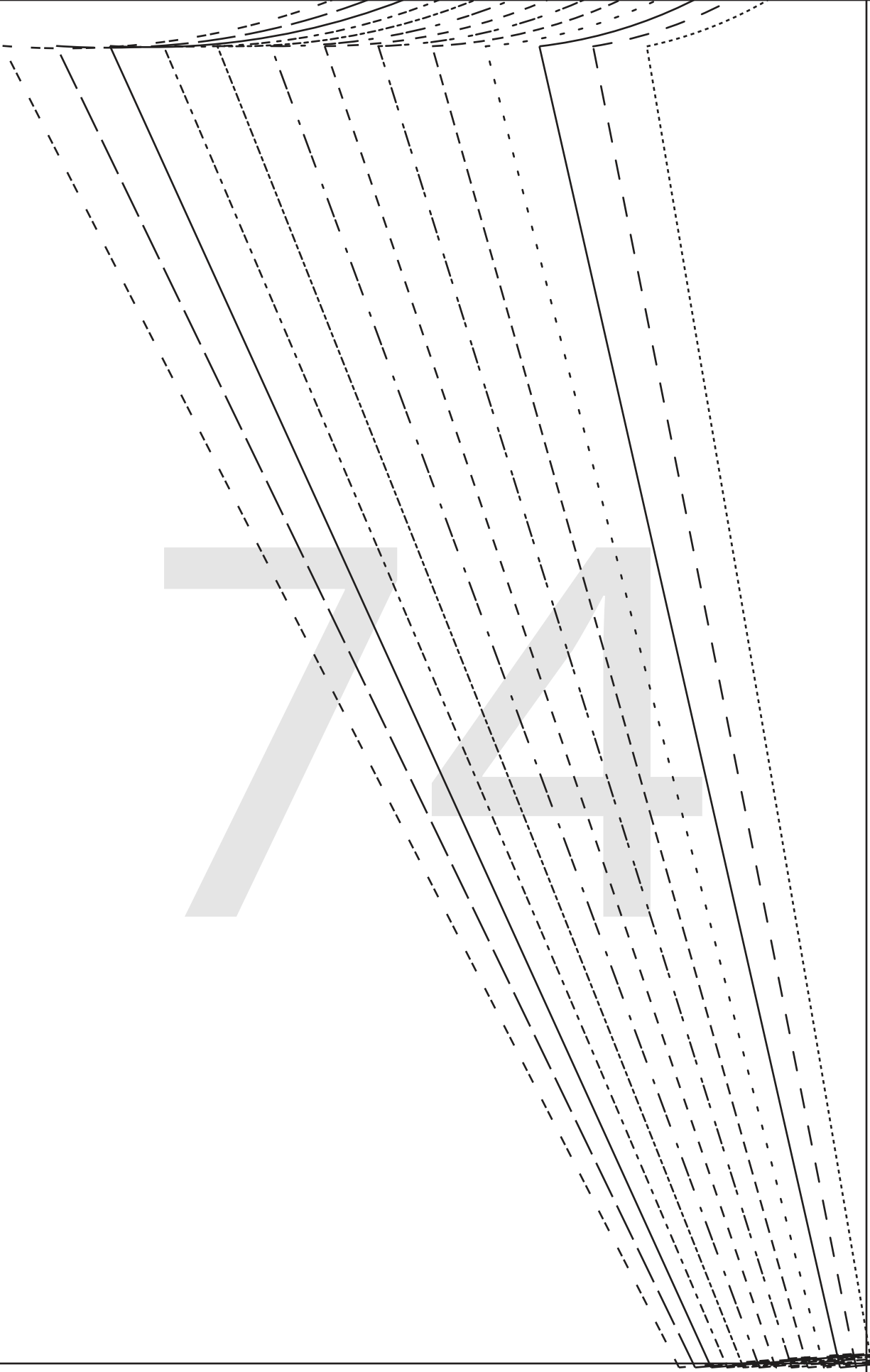
1 cm

1 cms (3/8") SEAM ALLOWANCE





73



74

LUANA PARTY DRESS

#1123

19

GATHERED FLOUNCE SLEEVE

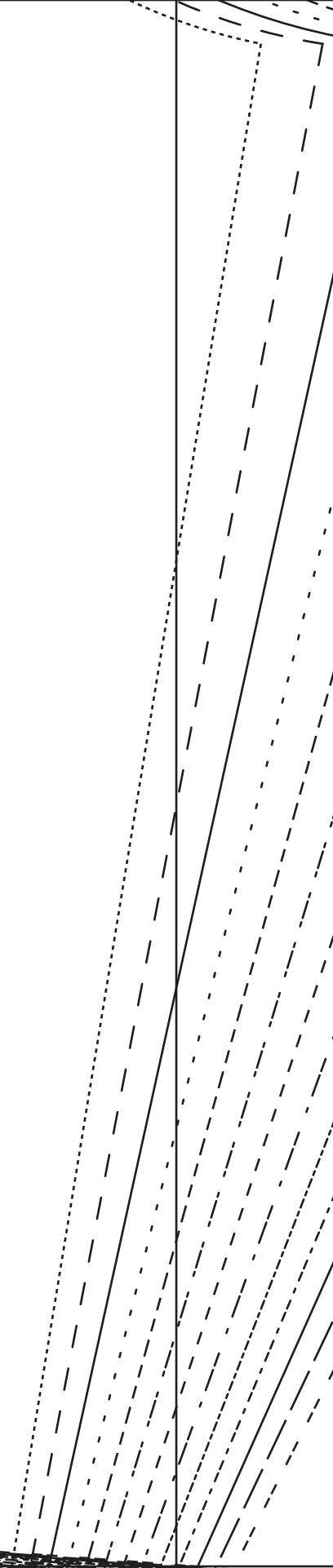
CUT 2

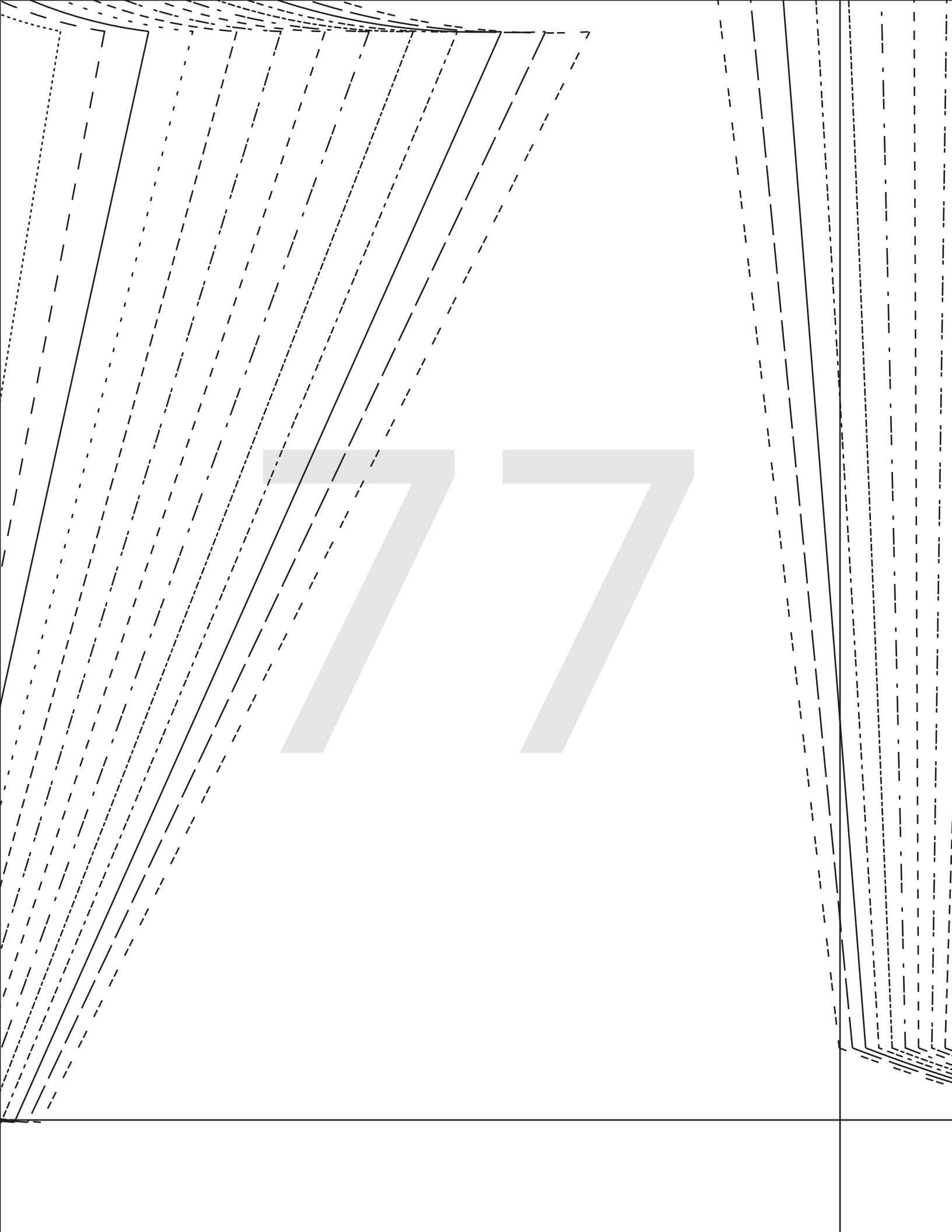
(1.5 cms (5/8") seam allowance
unless otherwise stated)

75

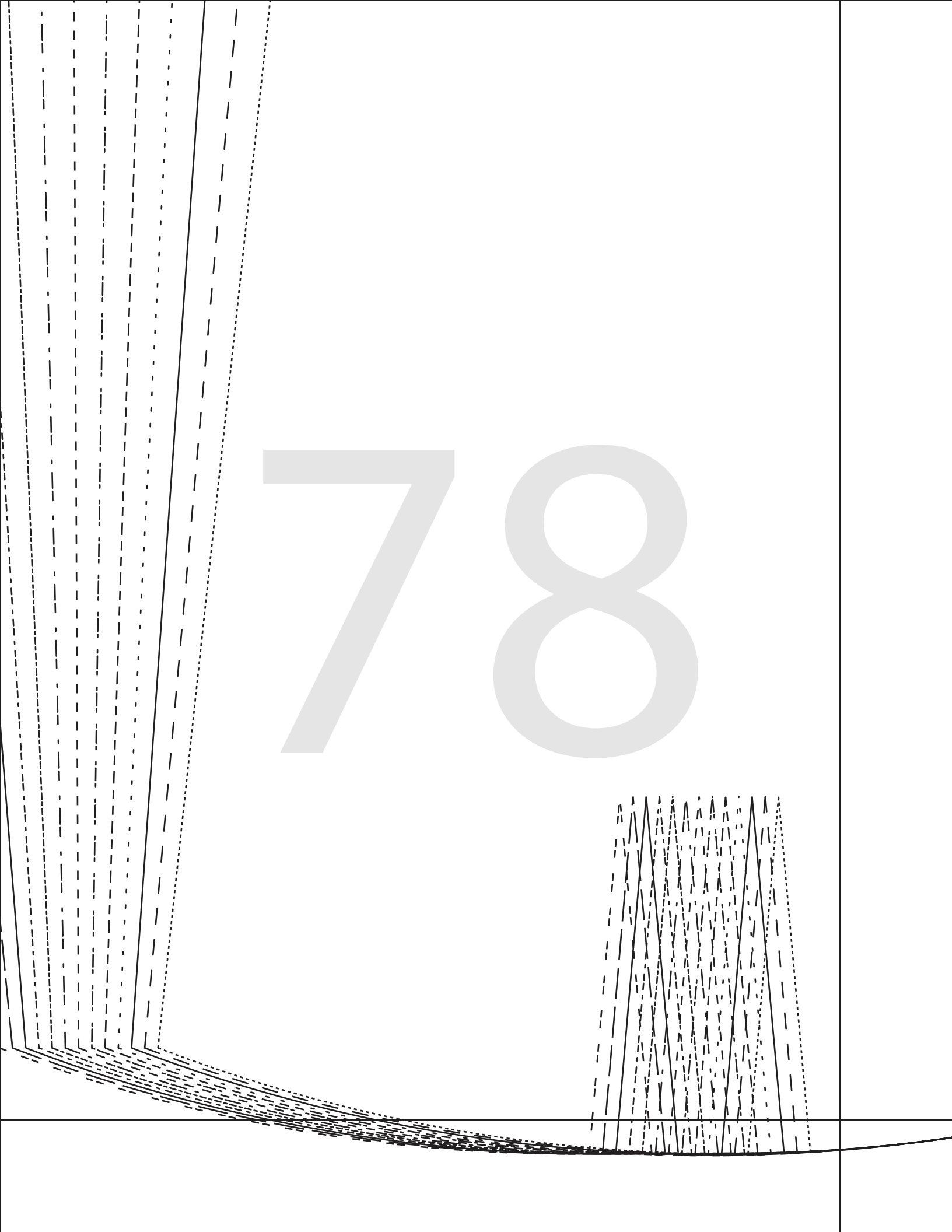
1 cm (3/8") SEAM ALLOWANCE

76





78



79



6mm (1/4") SEAM ALLOWANCE

80

NCE



81

82

8

3