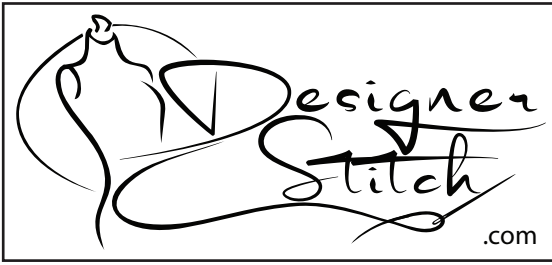
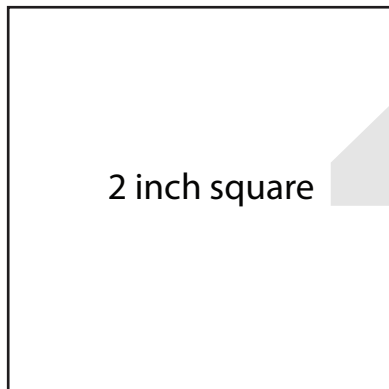
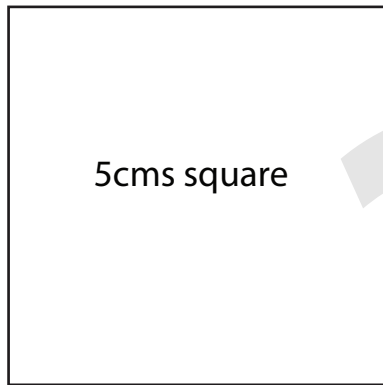


PRINT TILING TEMPLATE GUIDE FOR SIZE SPECIFIC CHOICE  
 TRIMLESS PRINT AT HOME PATTERN

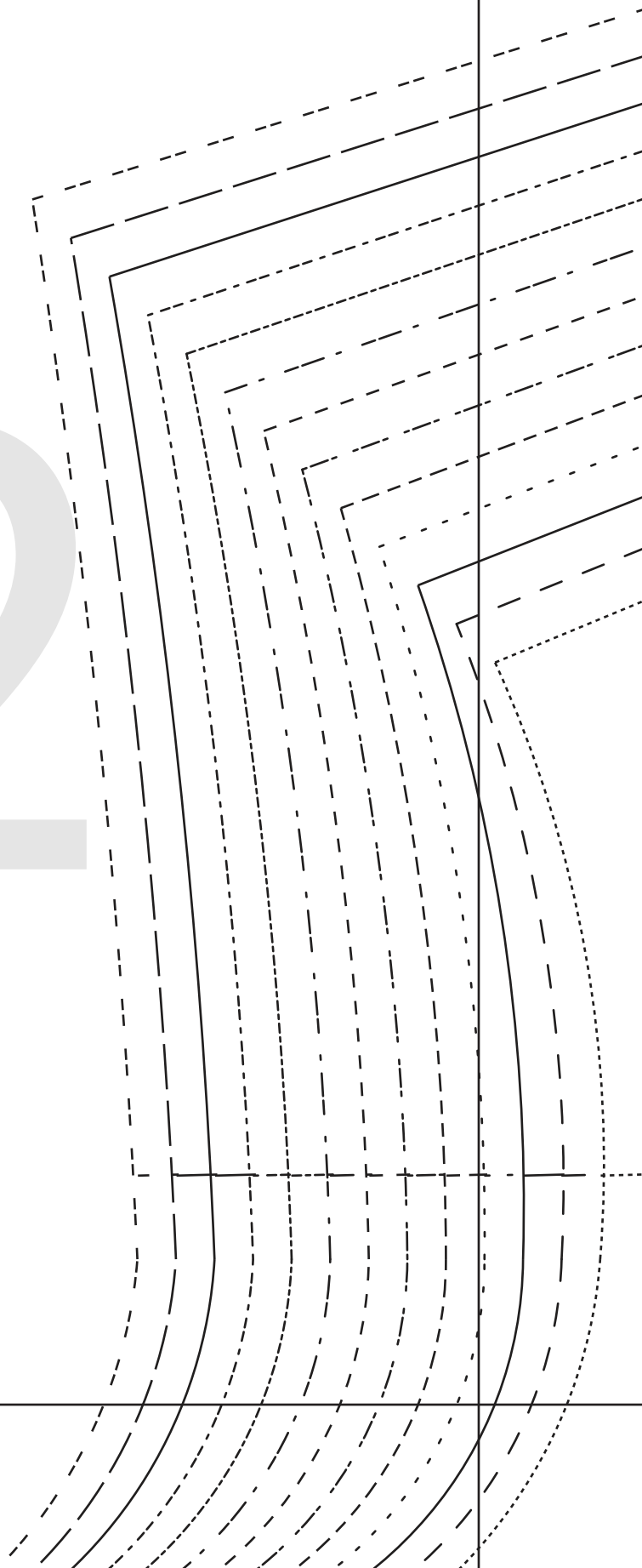


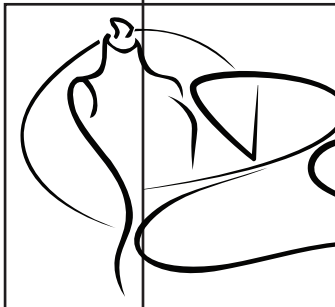
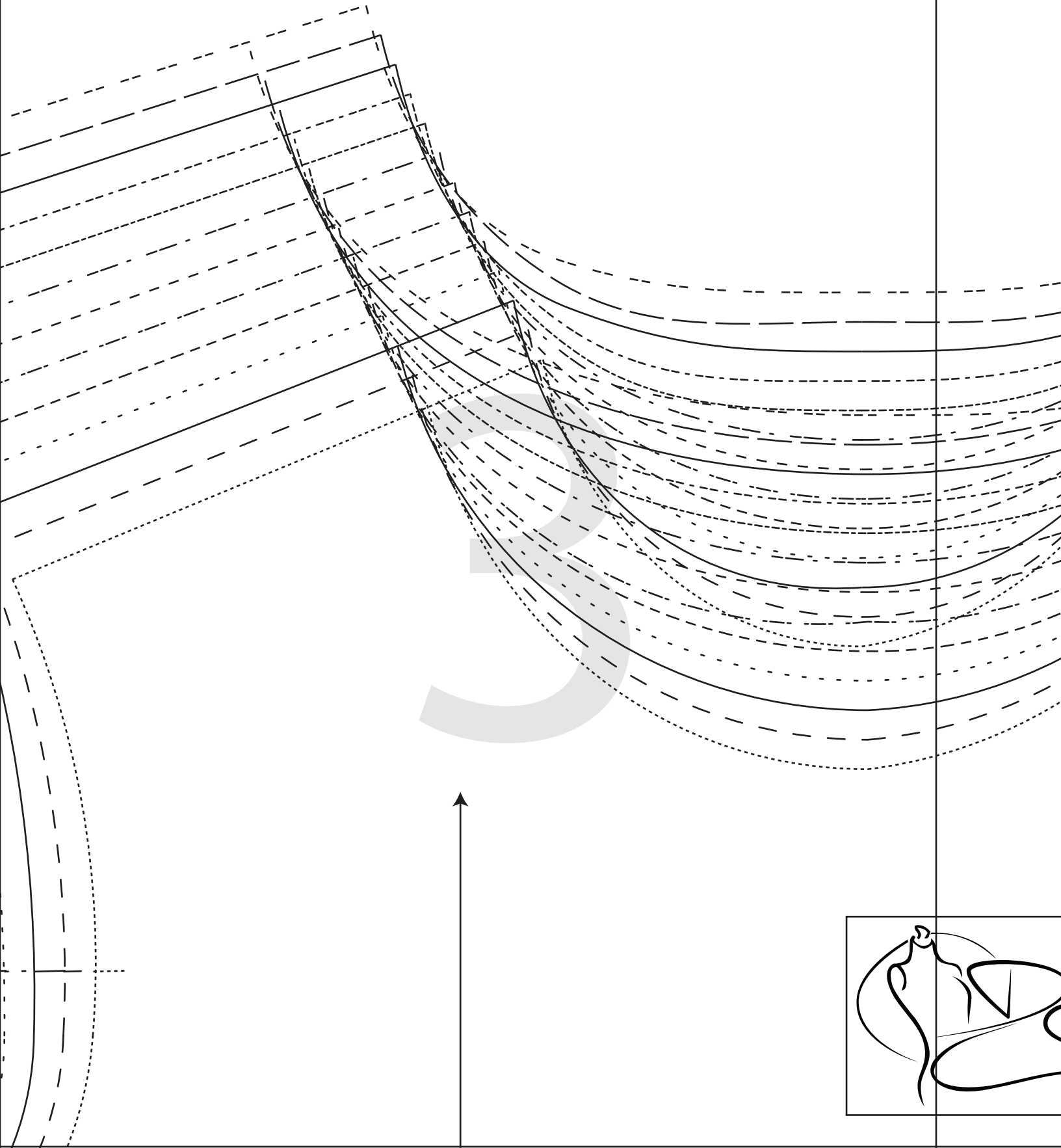
# NOVA TWIST DRESS

## #0324

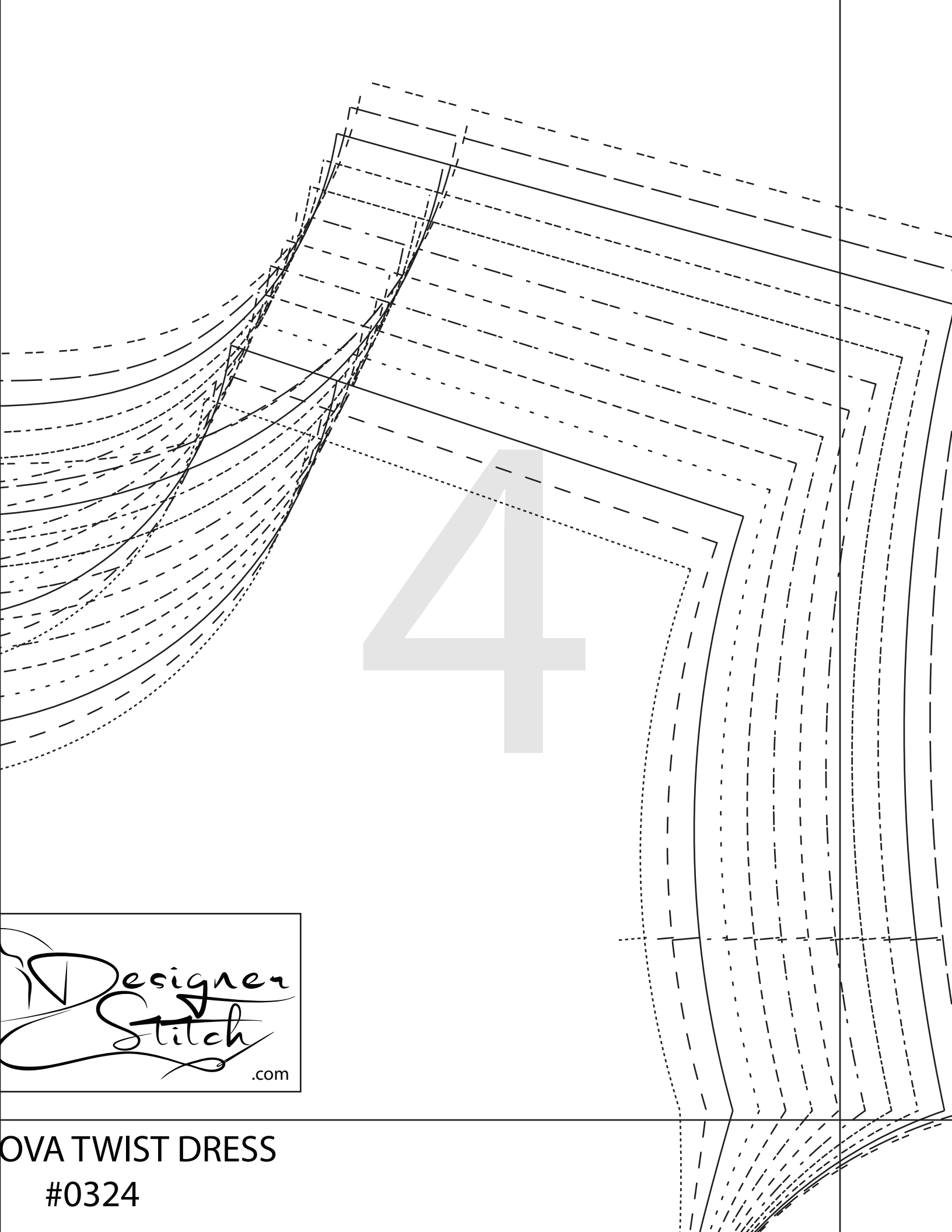


FRONT -  
A, B, C Cup





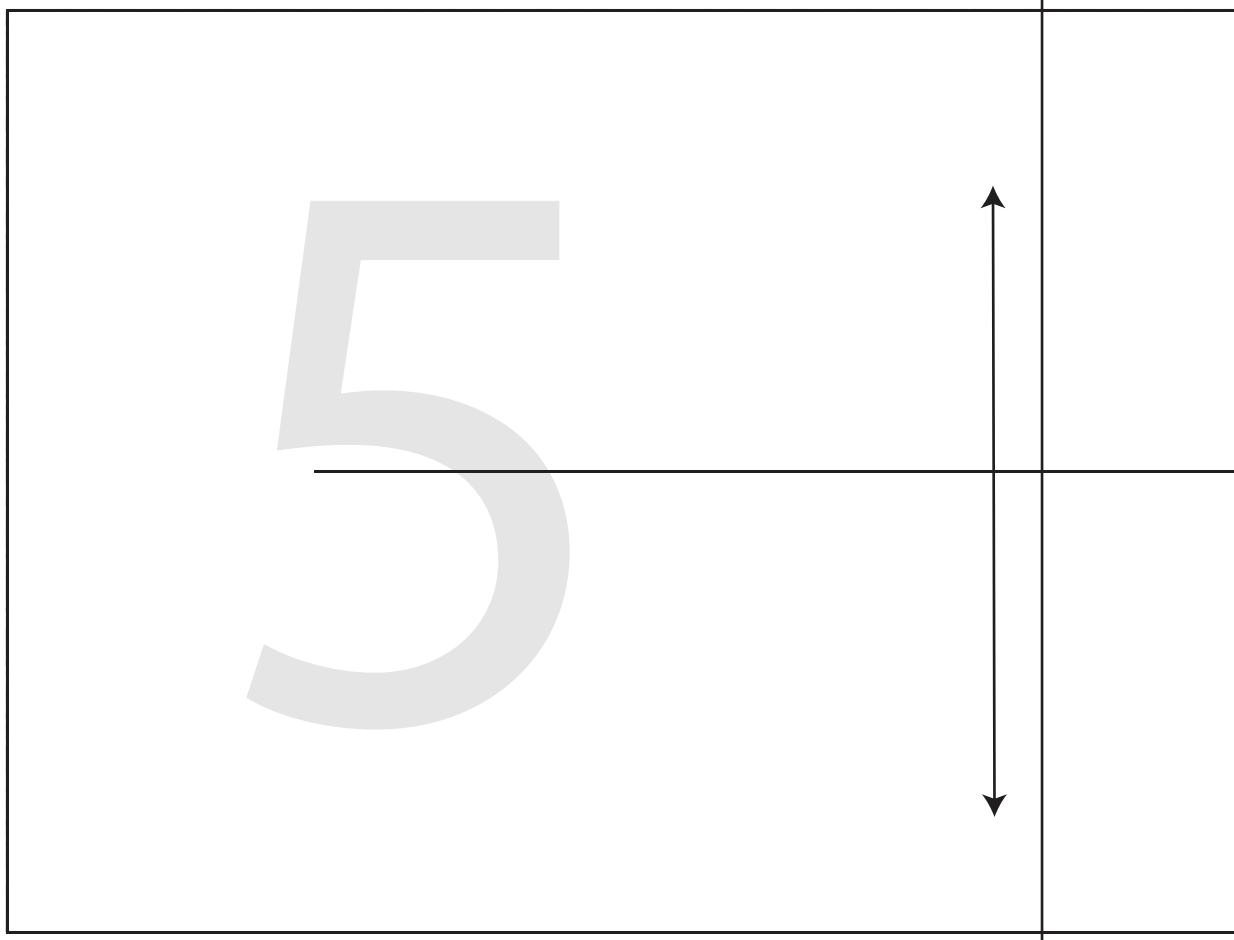
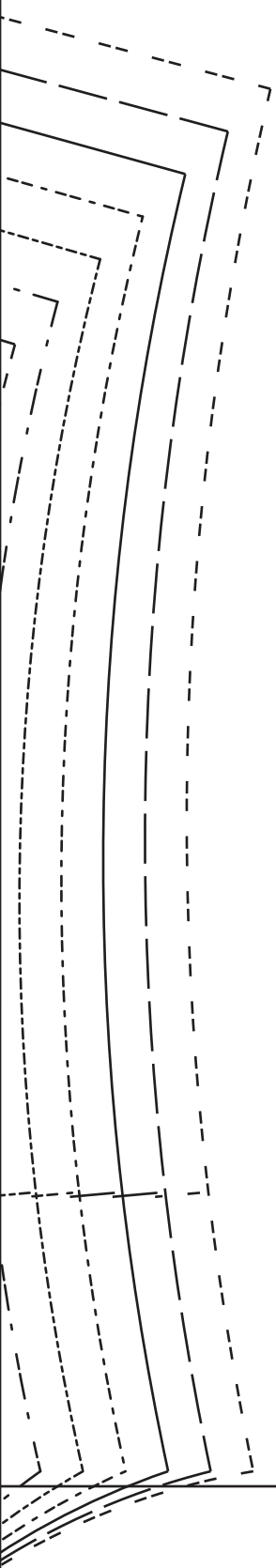
NOVA TW  
#032



4



OVA TWIST DRESS  
#0324





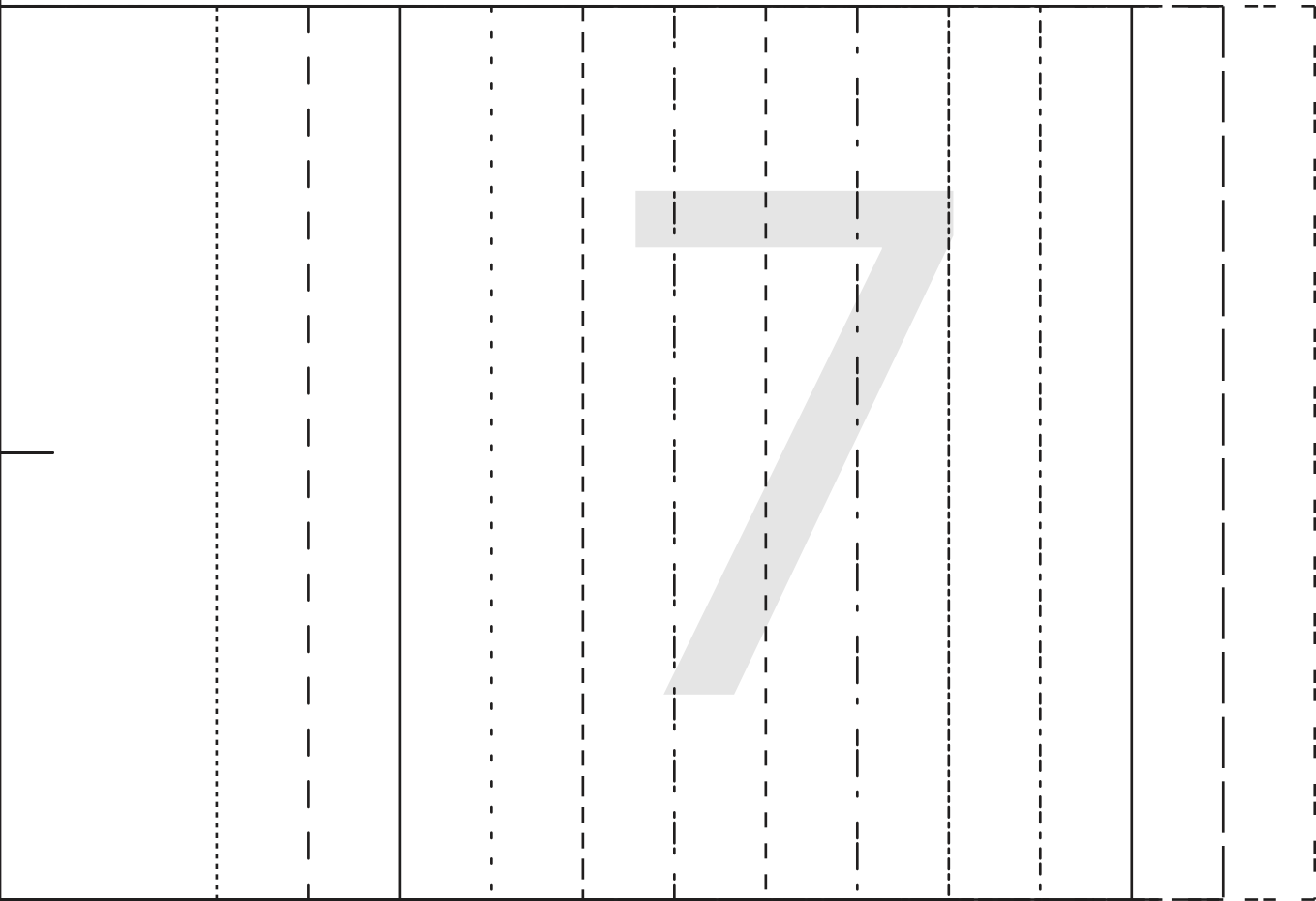
NOVA TWIST DRESS  
#0324

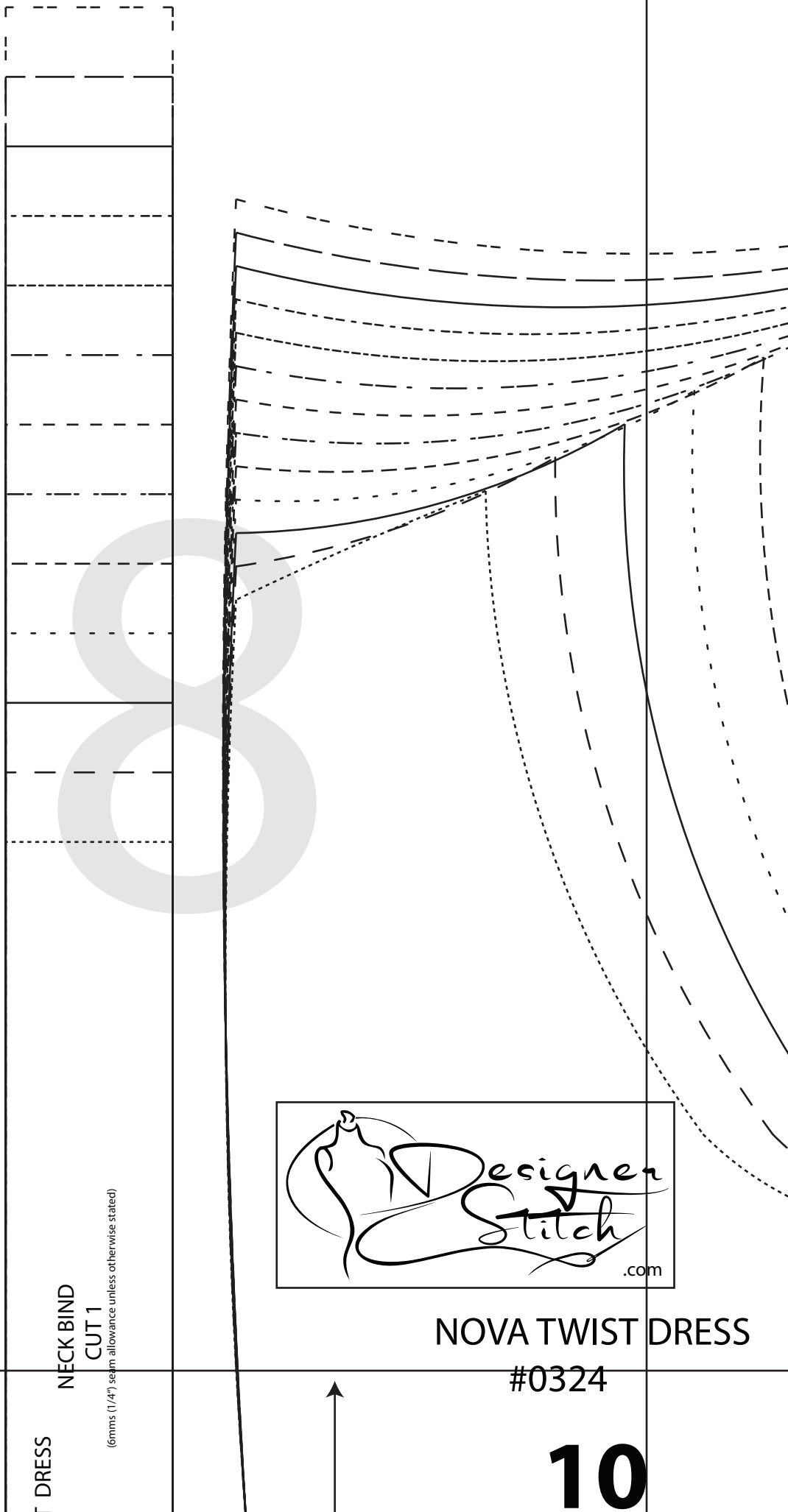
**5**

TURTLE NECK COLLAR  
CUT 1

(6mms (1/4") seam allowance unless otherwise stated)







DRESS

NECK BIND  
CUT 1

(6mm (1/4") seam allowance unless otherwise stated)

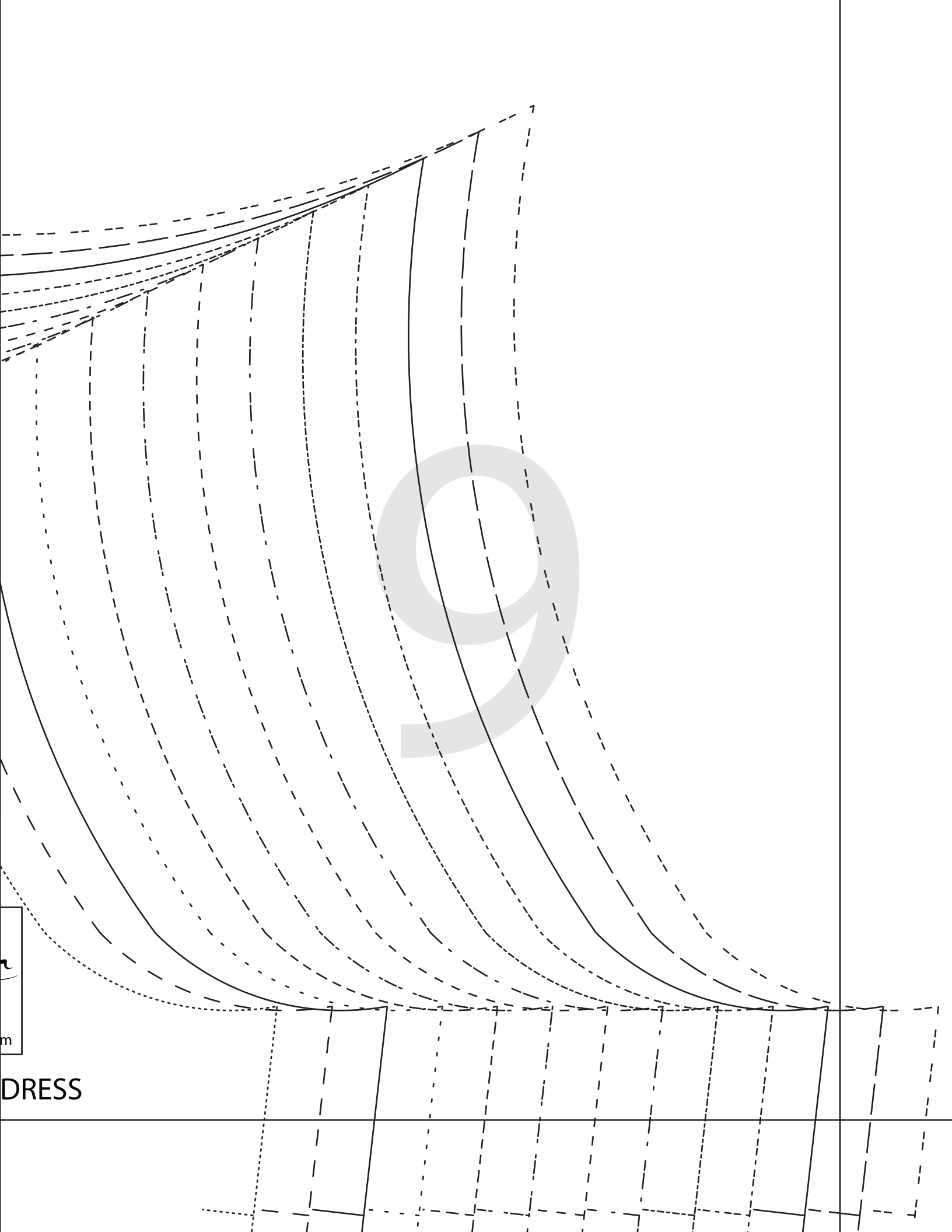


NOVA TWIST DRESS

#0324

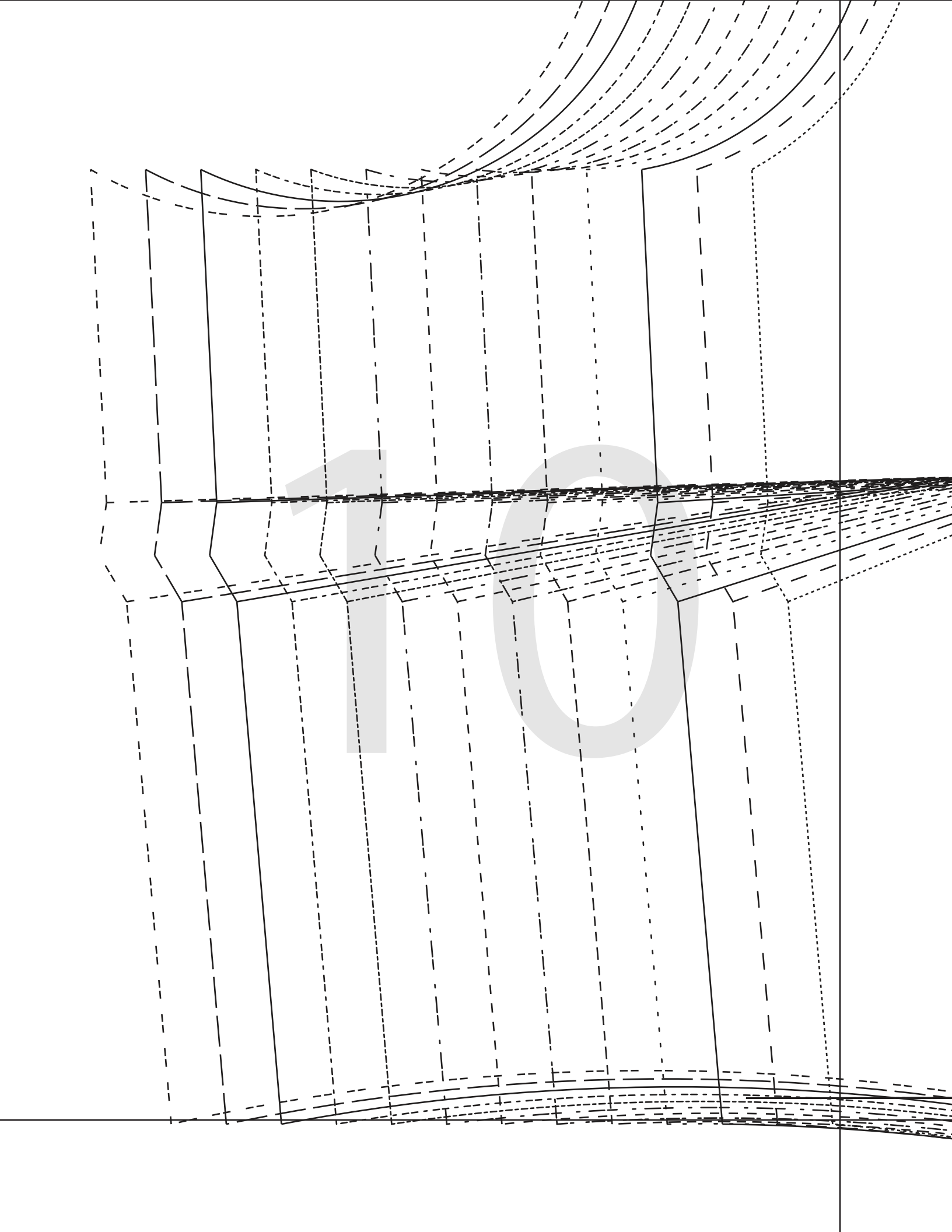
10





m

DRESS



NOVA TW

#032

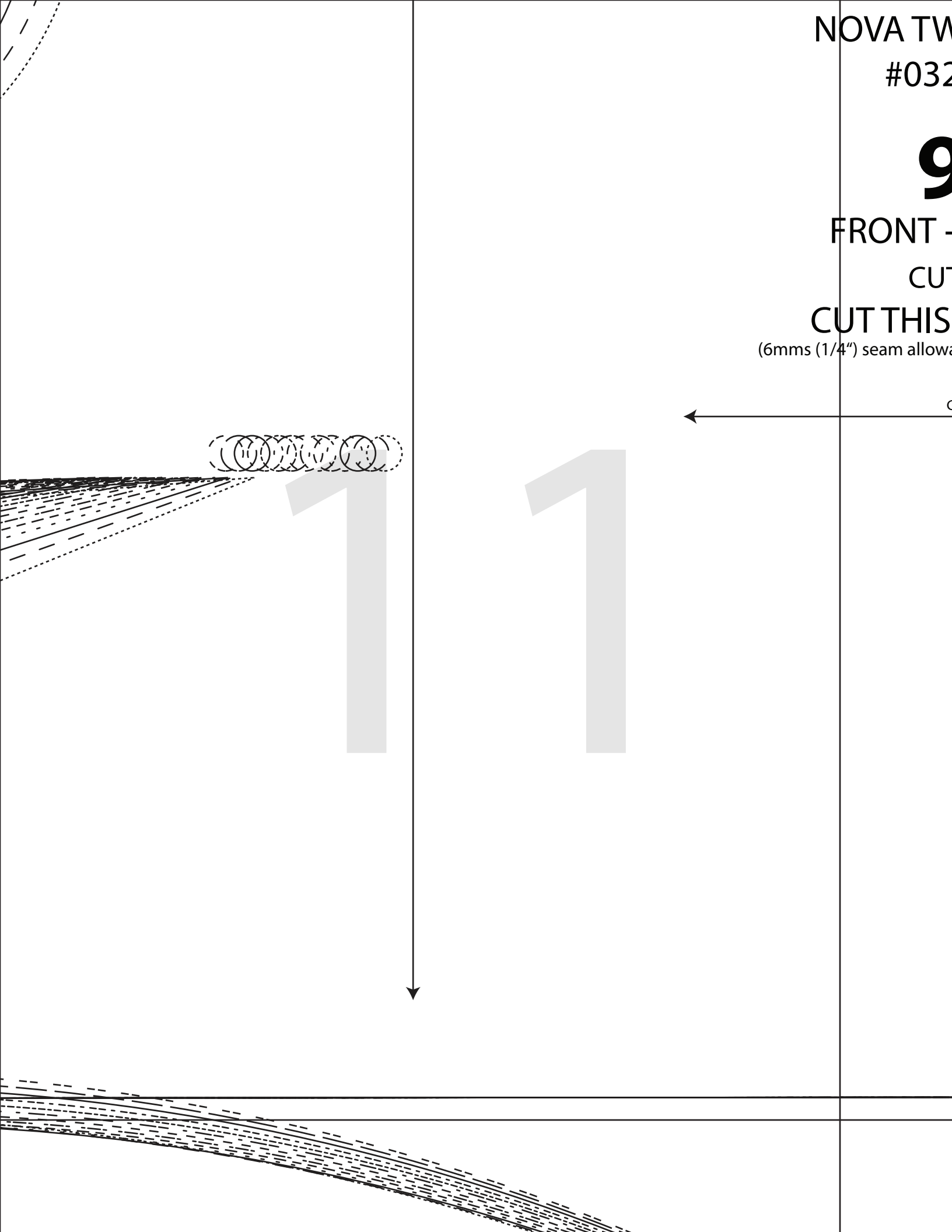
9

FRONT -

CUT

CUT THIS

(6mms (1/4") seam allowa



# OVA TWIST DRESS

#0324

# 9

FRONT - A/B CUP

CUT 1

CUT THIS WAY UP

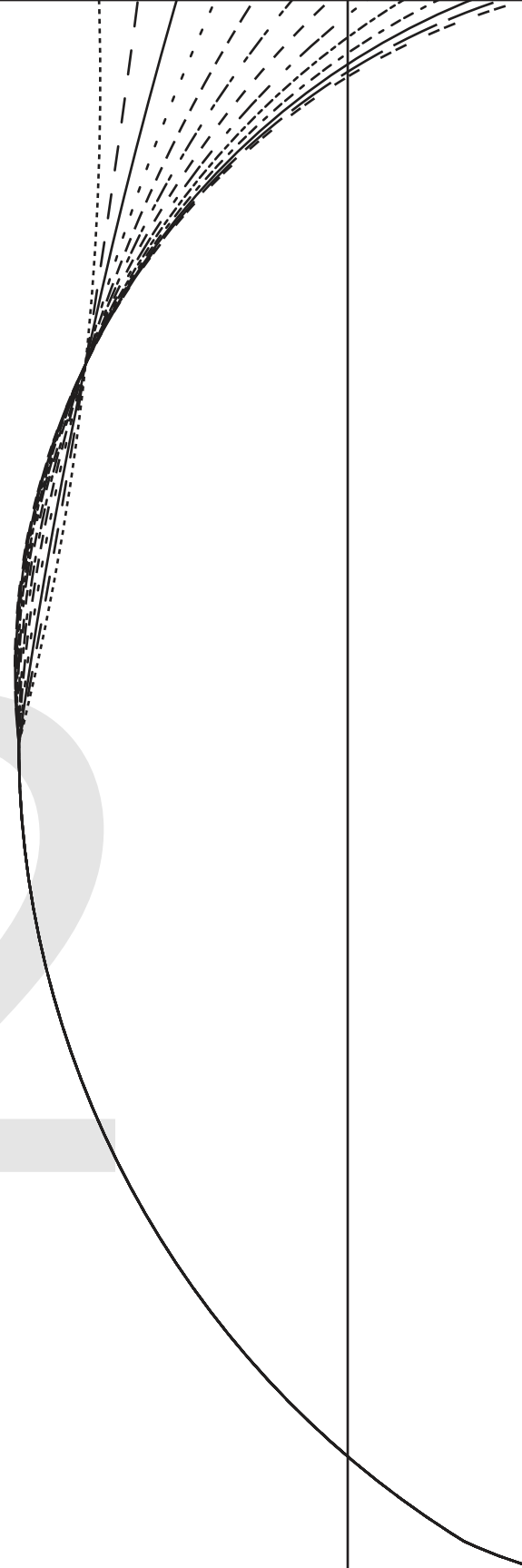
(4" seam allowance unless otherwise stated)

GREATEST STRETCH



# 12

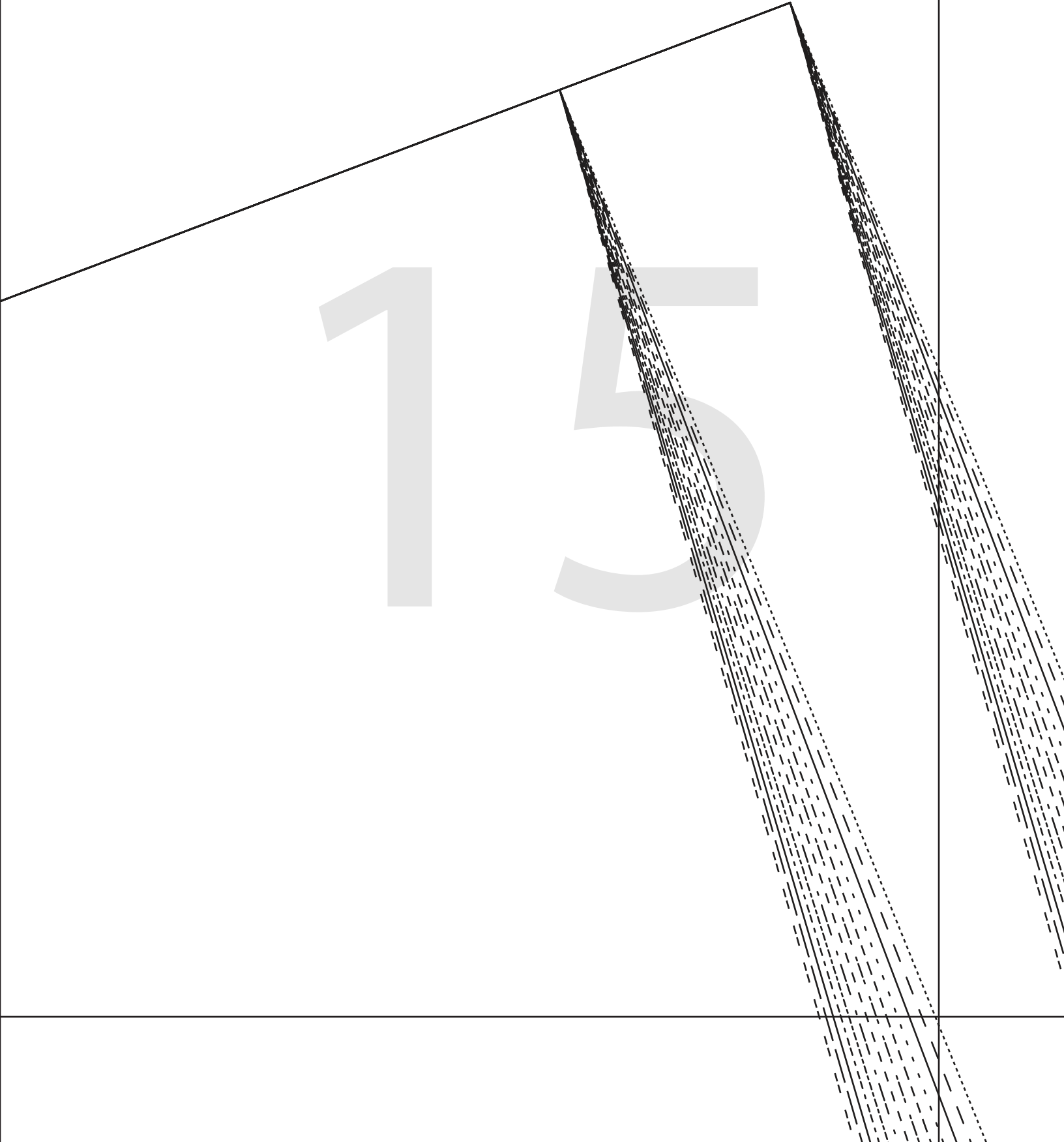
WAISTLINE



13

14

15



NOVA TWIST DRESS  
#0324



GREATEST STRETCH

6

(6mms (1/4") seam allowance)

#0324

10

SIDE FRONT - A/B CUP  
CUT 1

CUT THIS WAY UP

(6mms (1/4") seam allowance unless otherwise stated)

GREATEST STRETCH

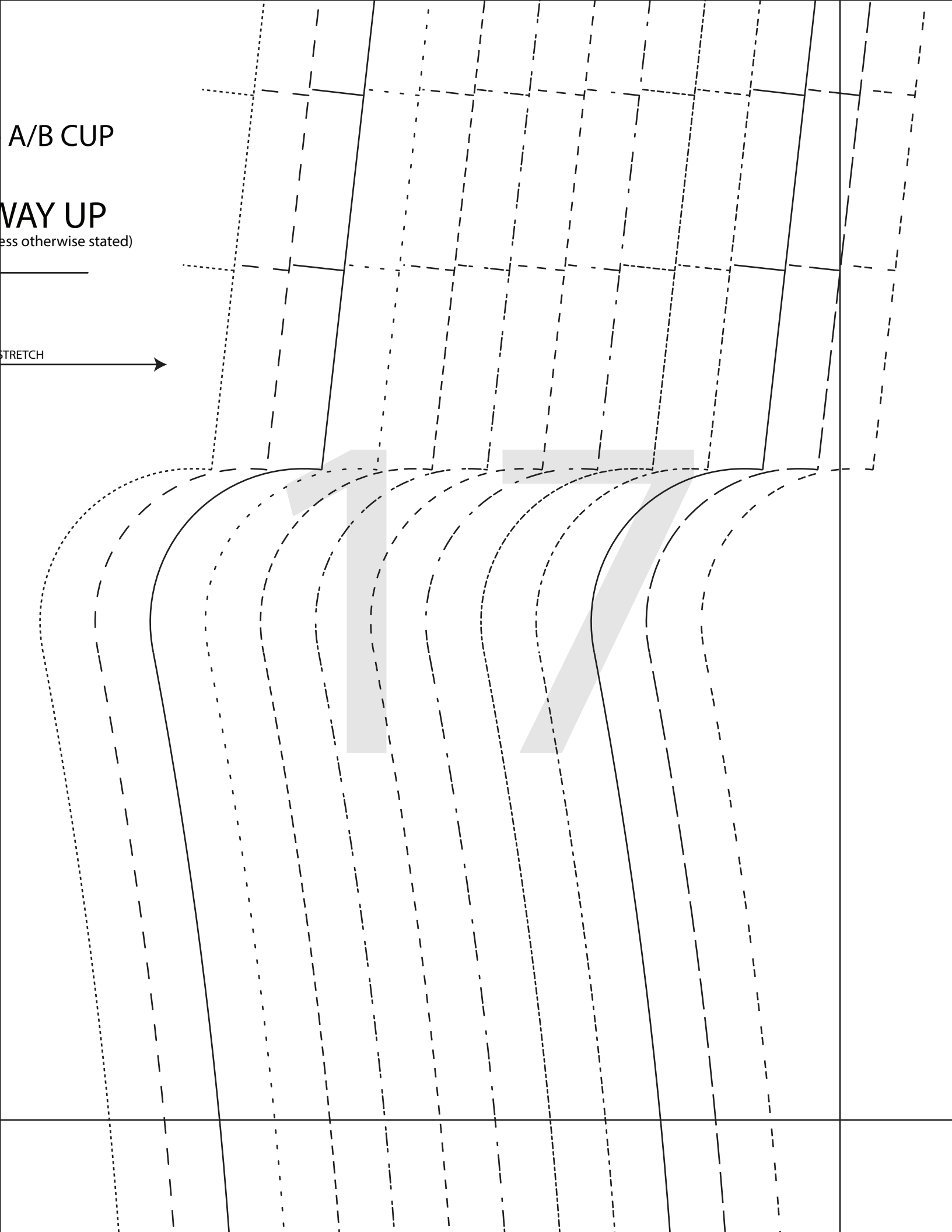


A/B CUP

WAY UP

(unless otherwise stated)

STRETCH →



18

## SIZE KEY

**1** .....

**2** - - - - -

**3** \_\_\_\_\_

**4** .....

**5** - - - - -

**6** .....

**7** - - - - -

**8** - - - - -

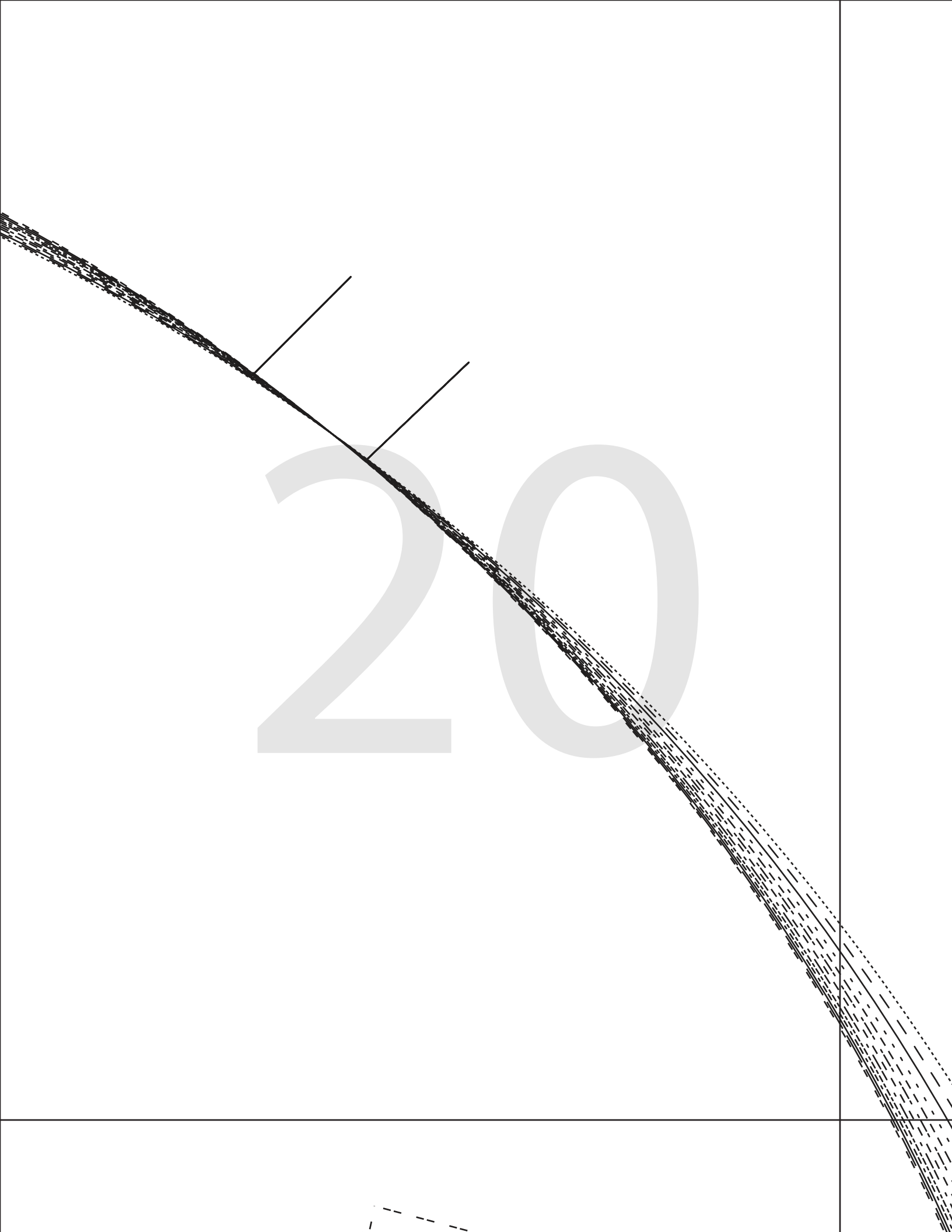
**9** .....

**10** .....

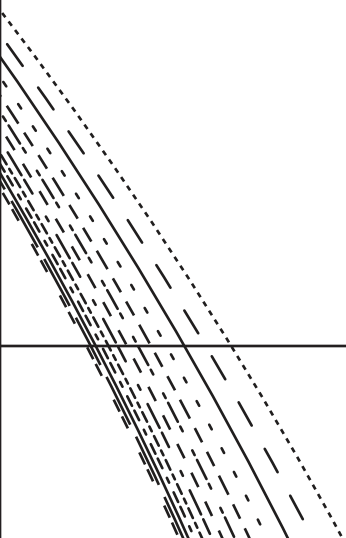
**11** \_\_\_\_\_

**12** - - - - -

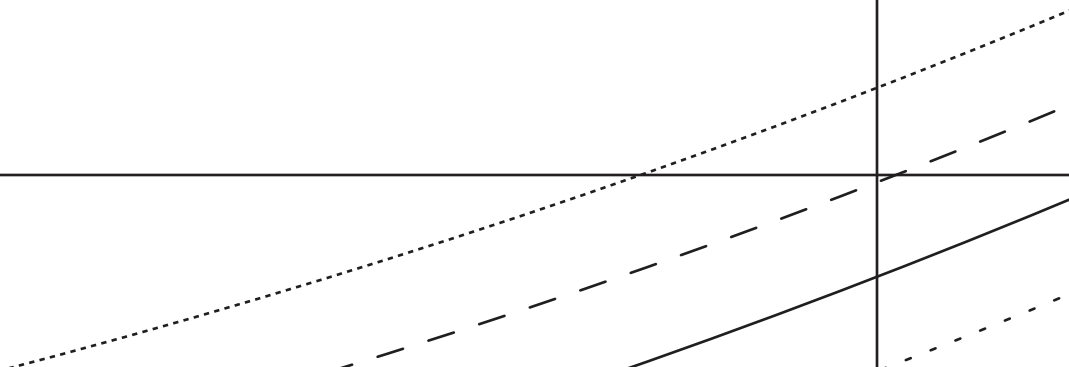
**13** .....



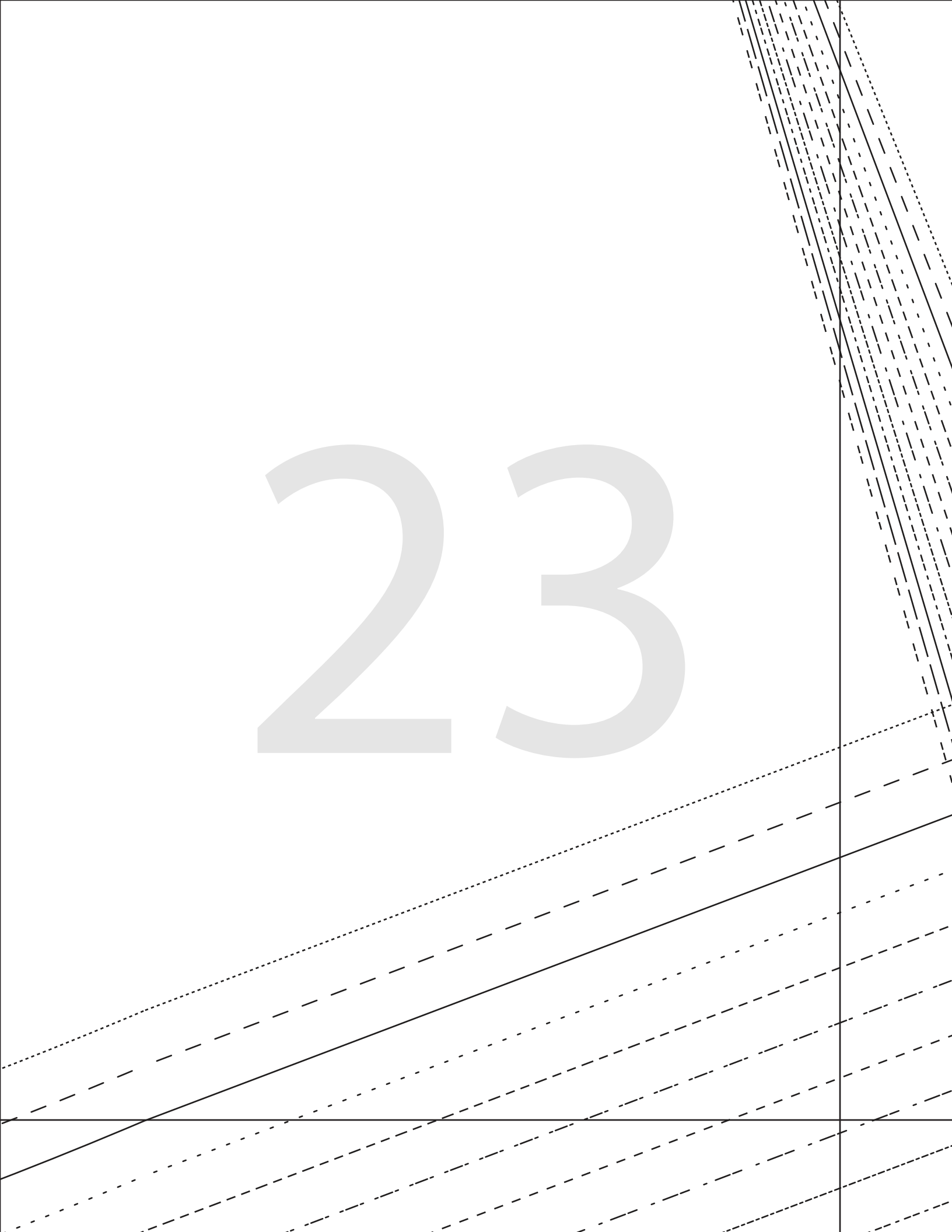
21

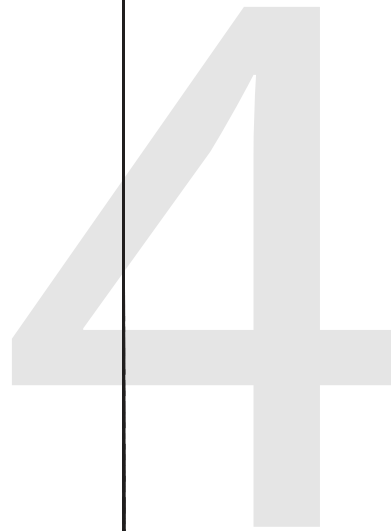
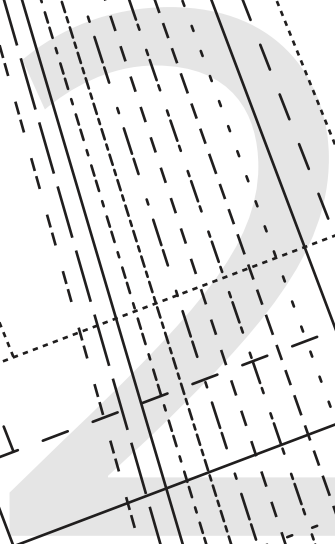
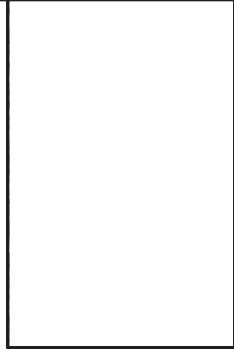
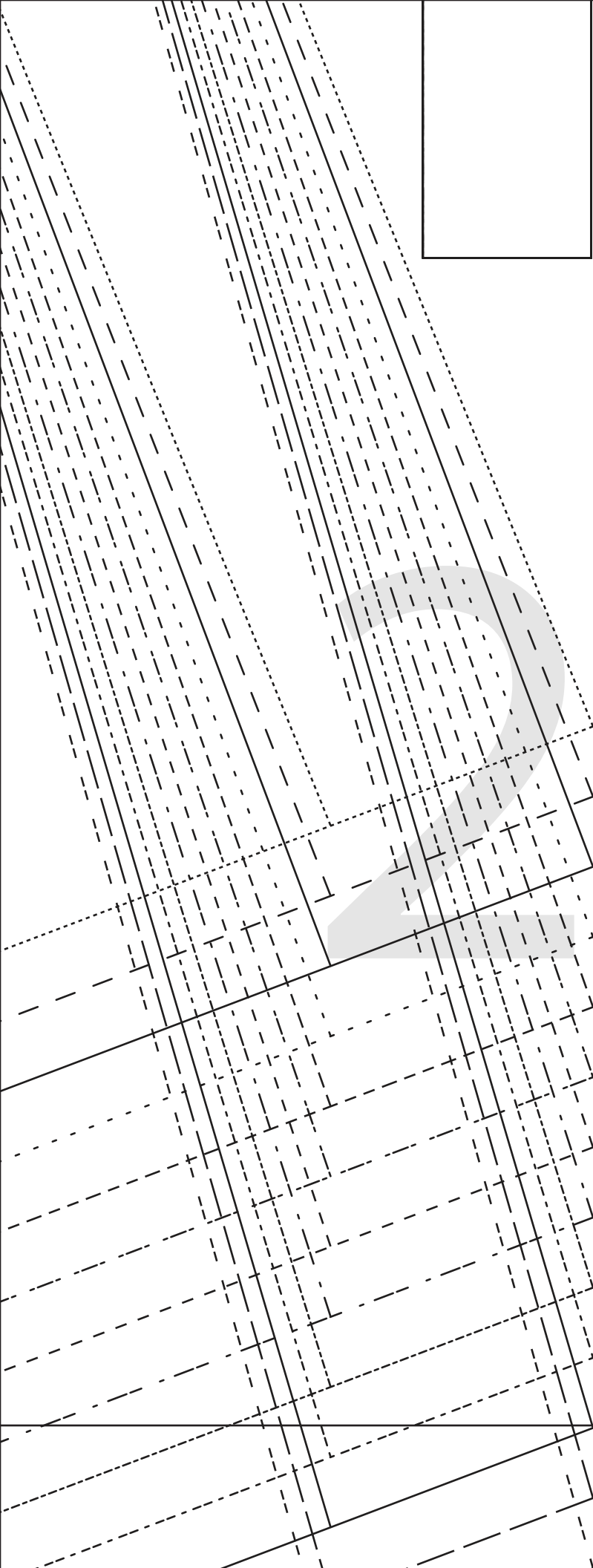


22



23

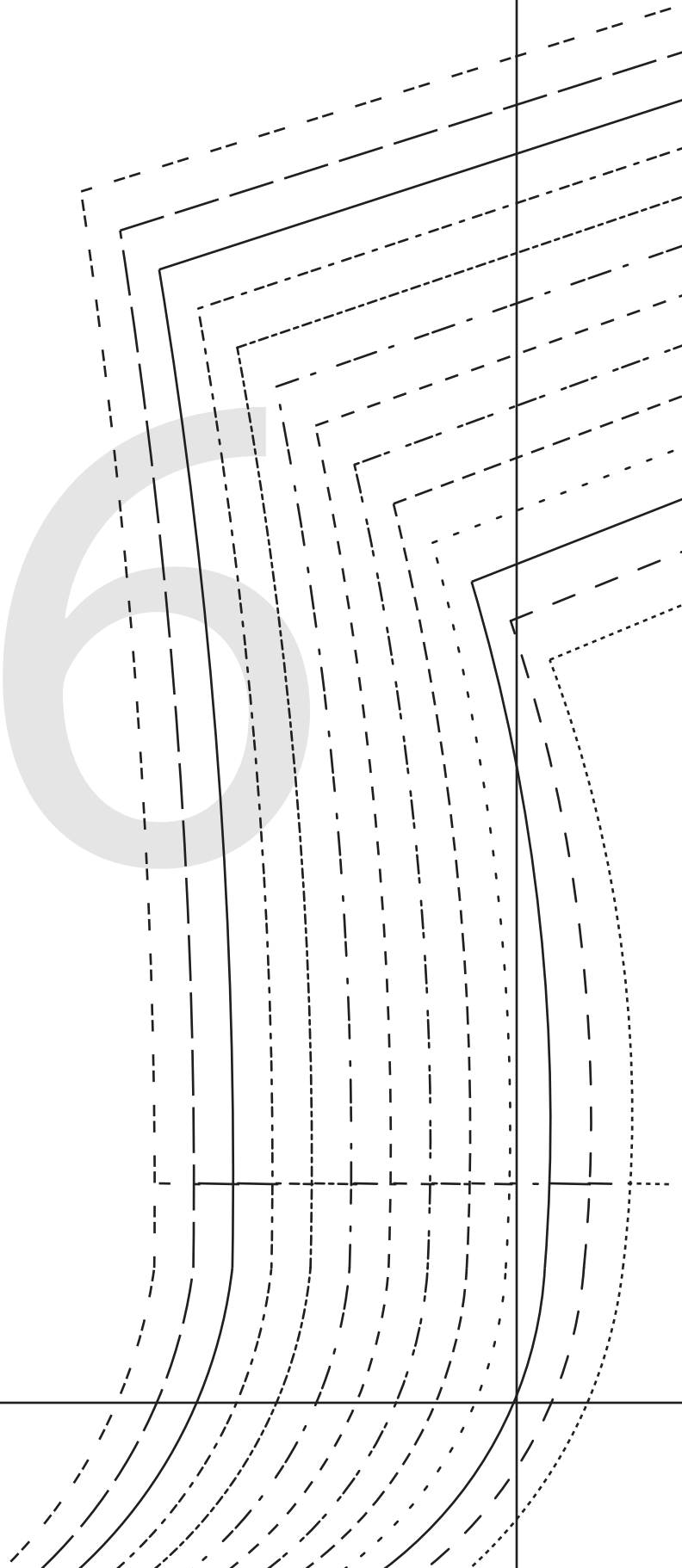


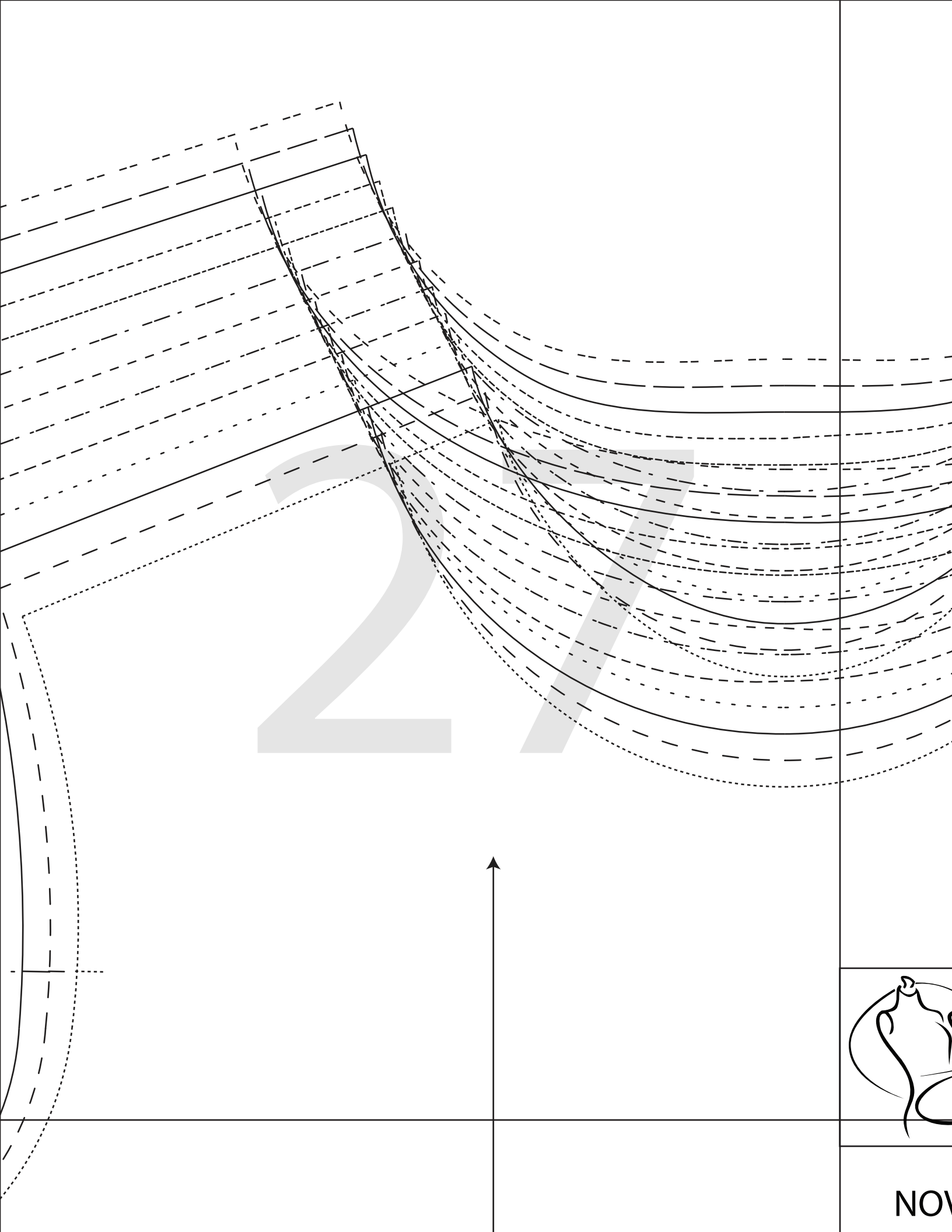




25

26



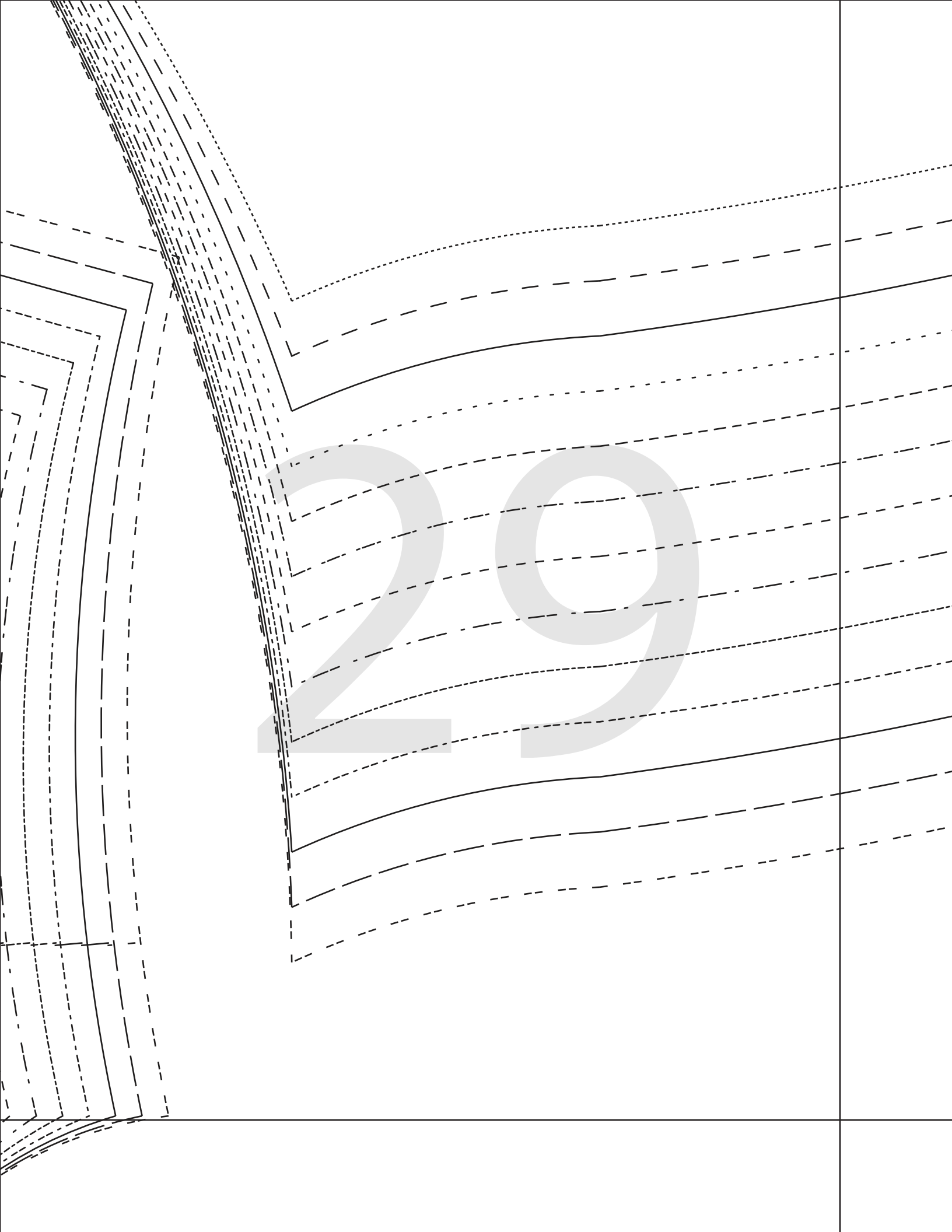


NOV

28

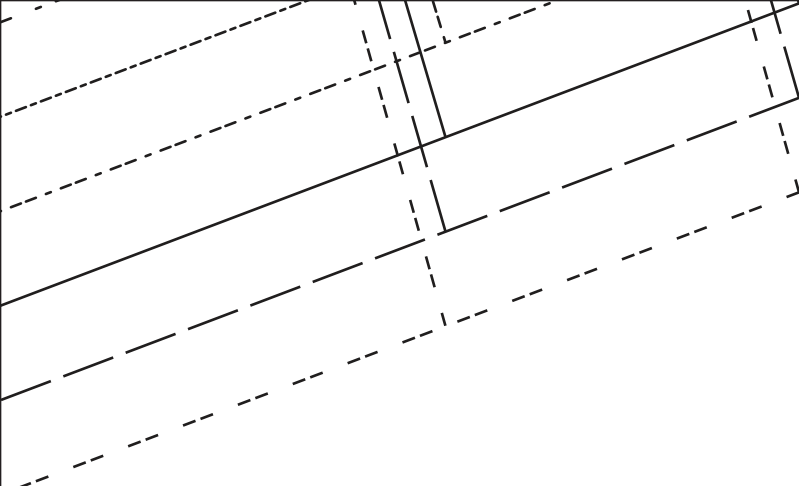


NOVA TWIST DRESS



30

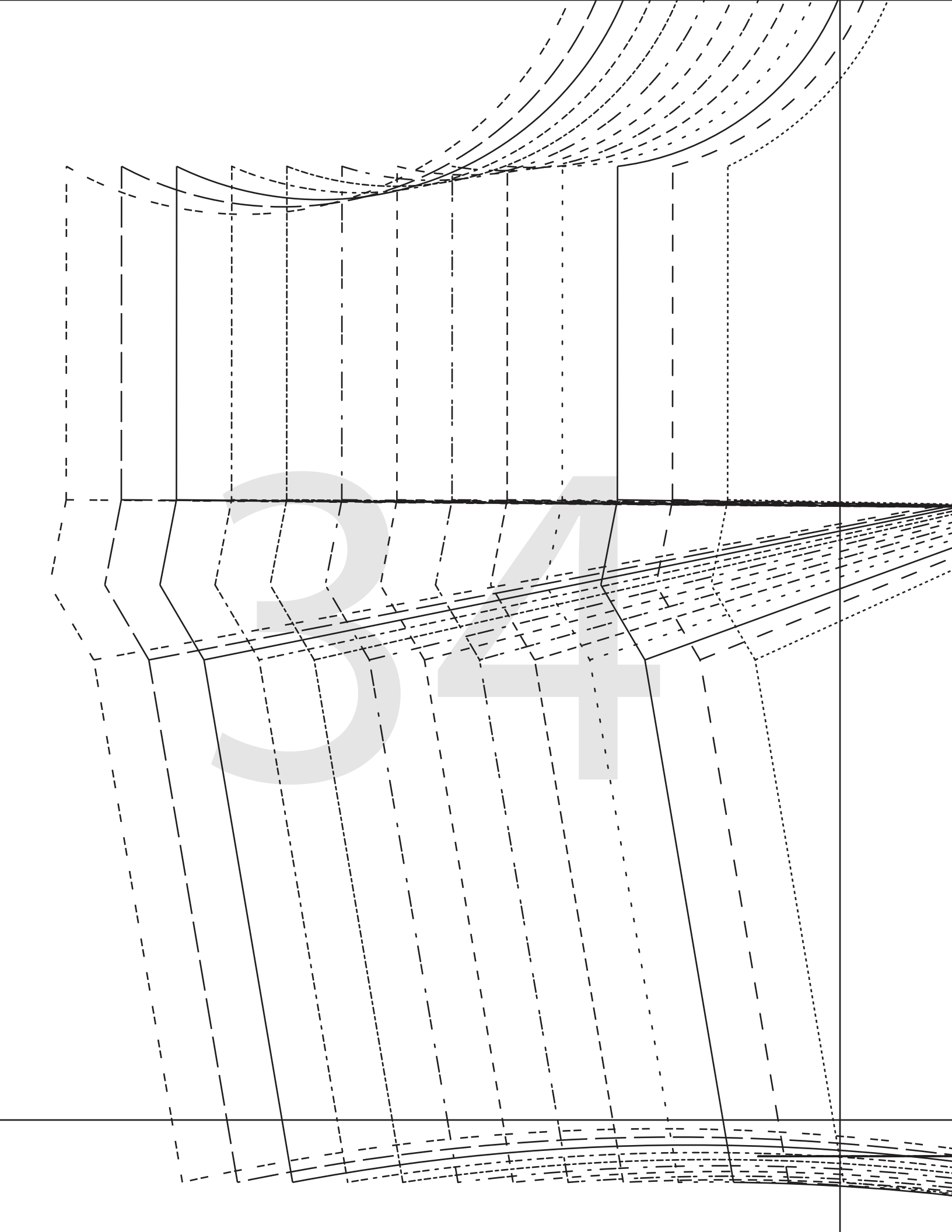
31



32



33



NOV

FR

CUT

(6mms (1/4") s



35



# NOVA TWIST DRESS

#0324

# 9

## FRONT - C CUP

### CUT 1

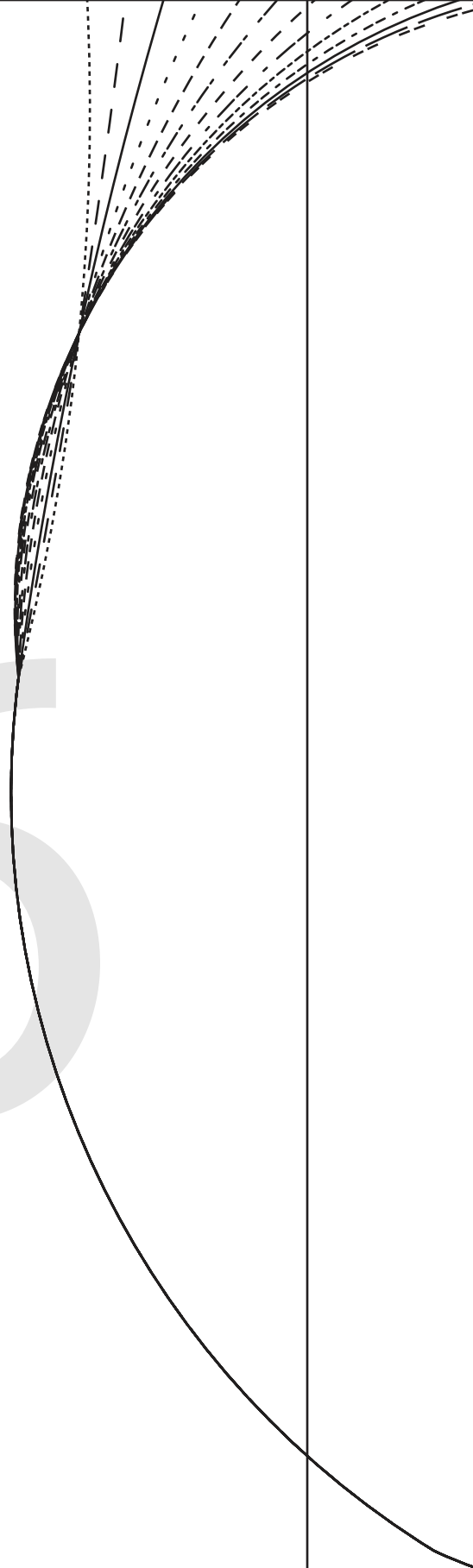
## CUT THIS WAY UP

(6mms (1/4") seam allowance unless otherwise stated)

GREATEST STRETCH

WAISTLINE

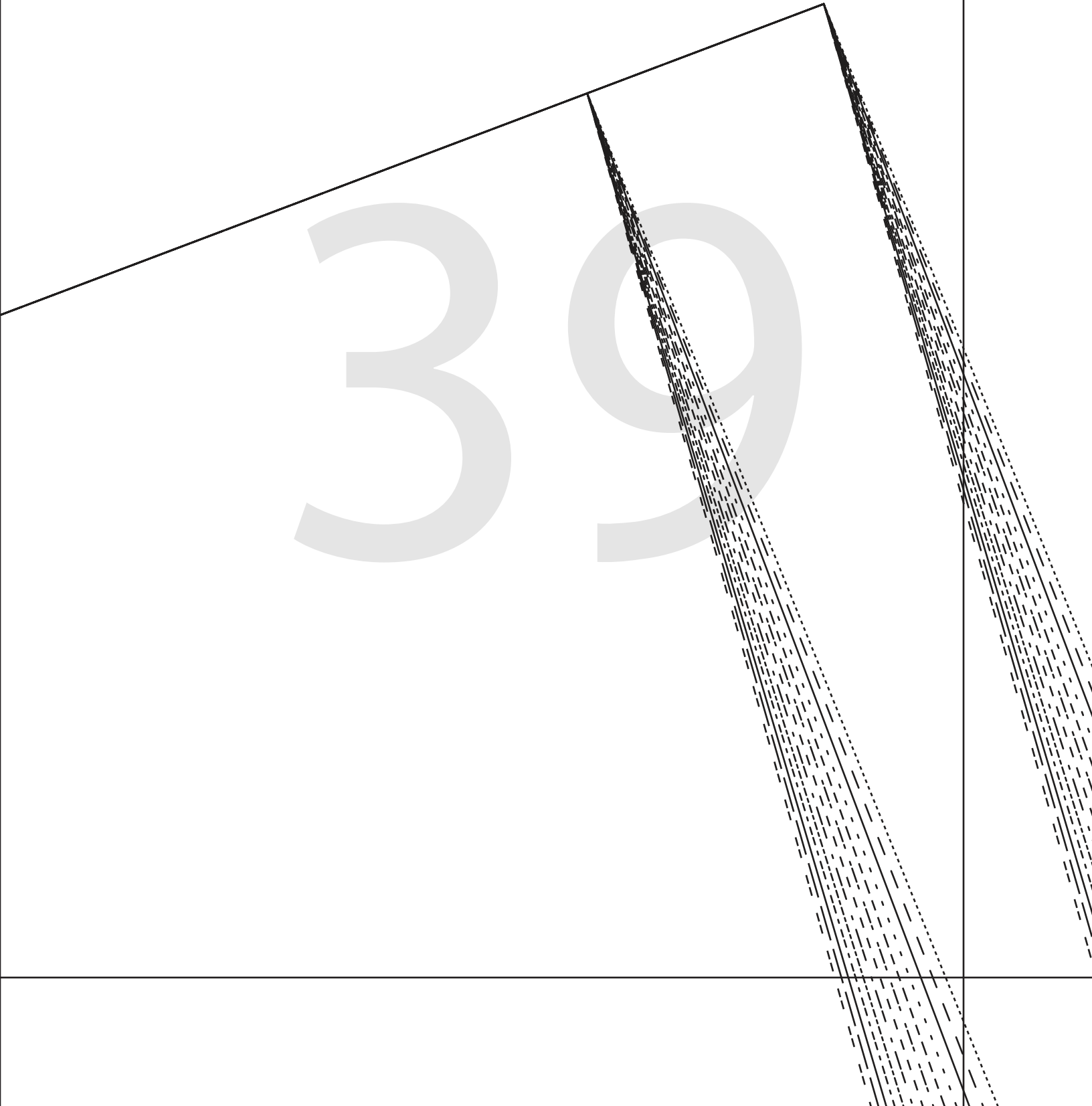
36



37

38

39



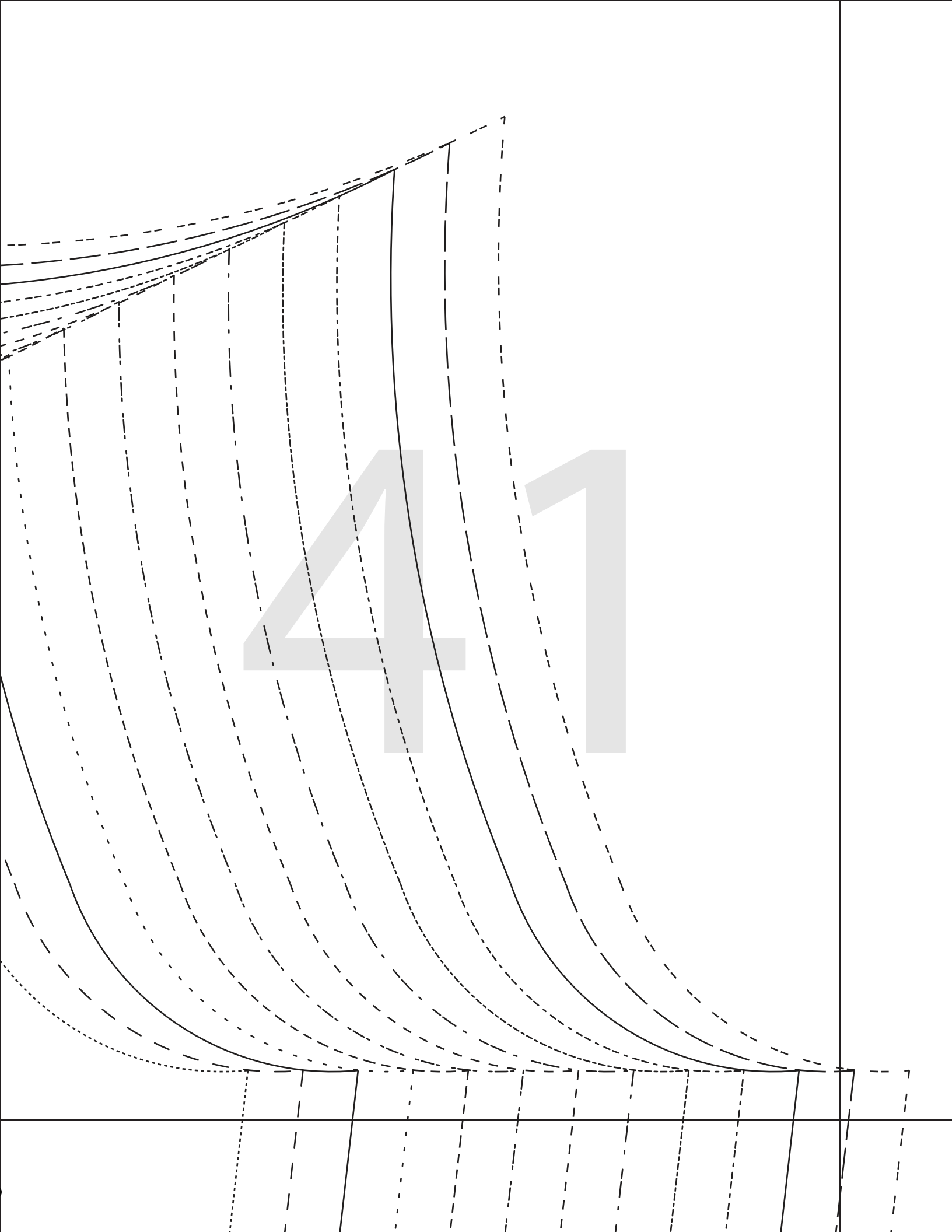
40



↑ NOVA TWIST DRESS  
#0324

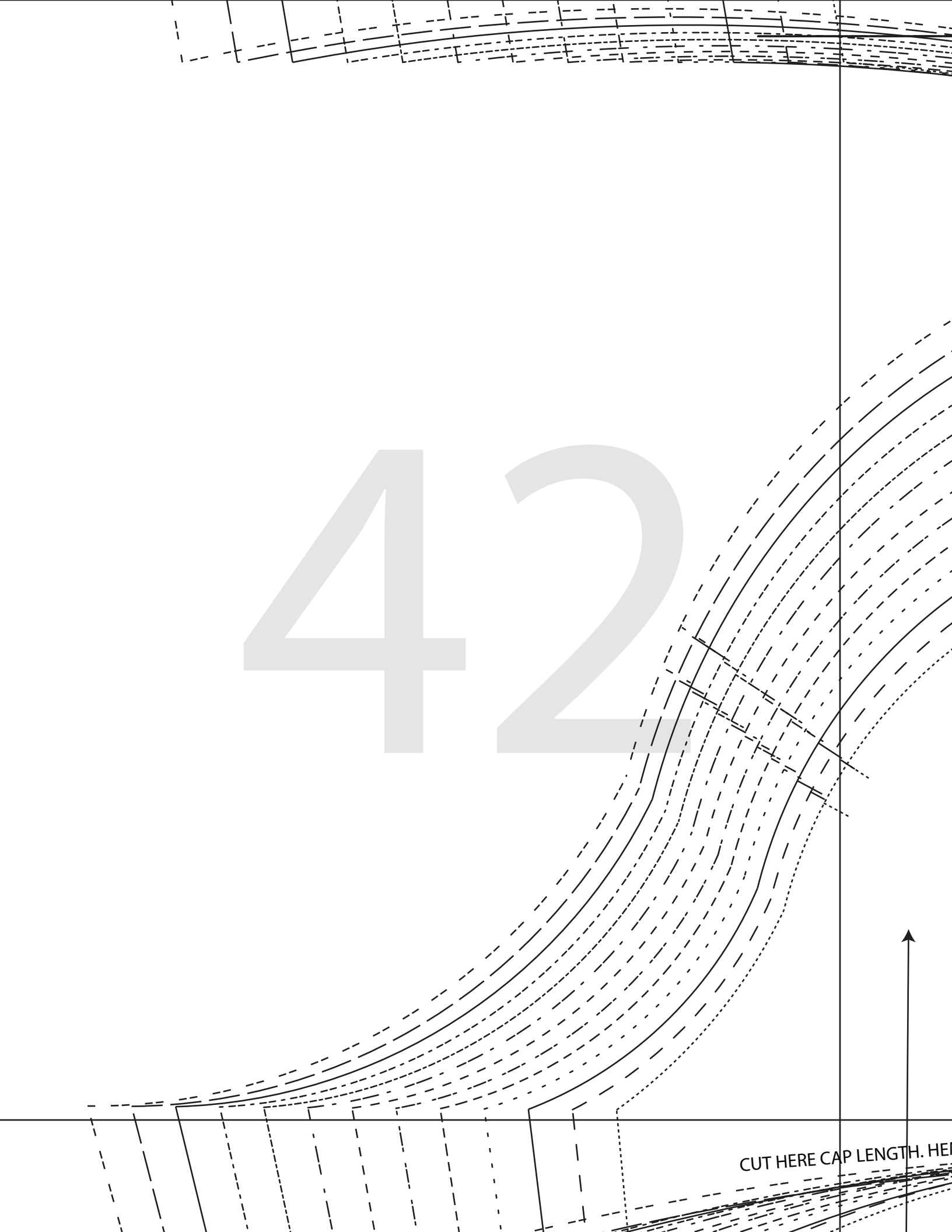
**10**  
SIDE FRONT - C CUP  
CUT 1





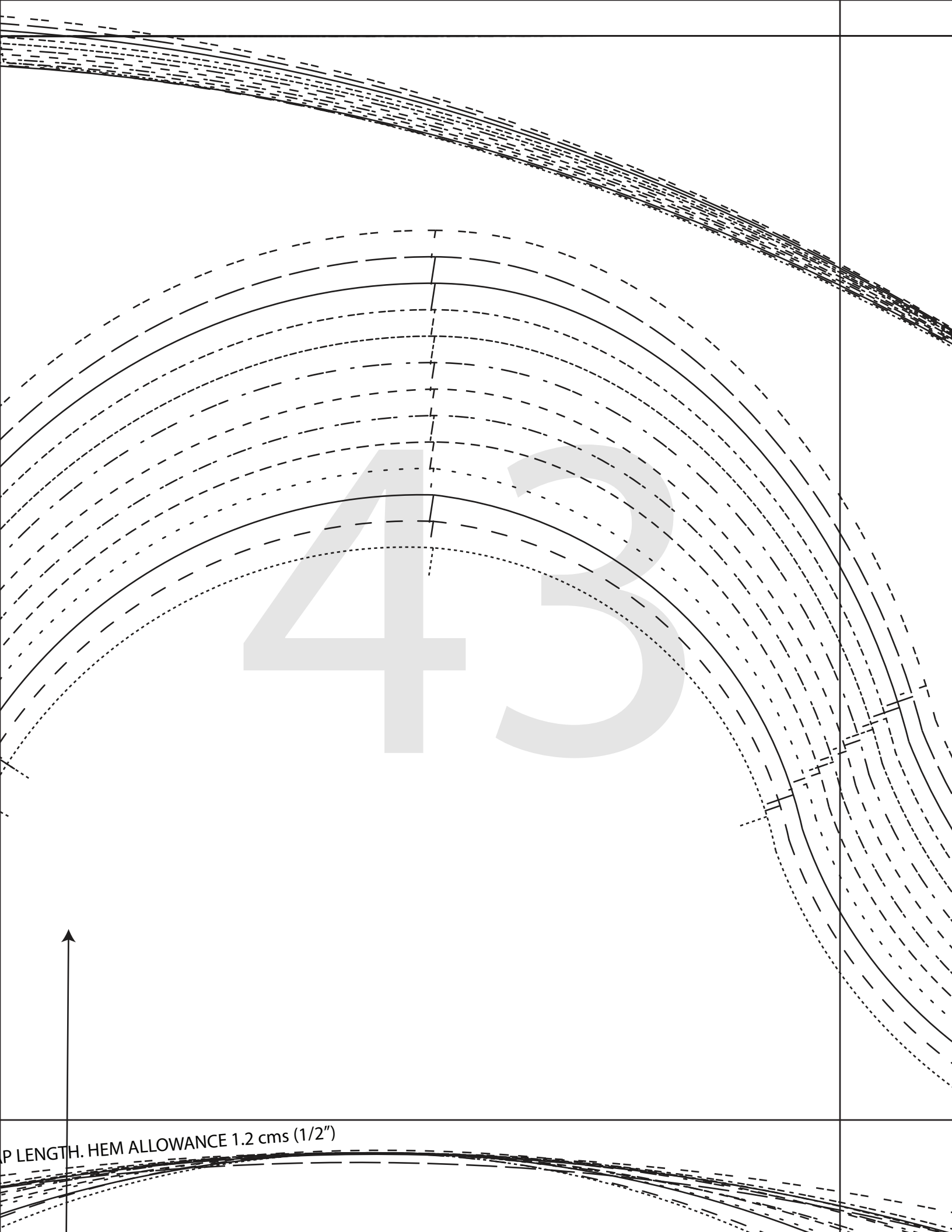
42

CUT HERE CAP LENGTH. HE

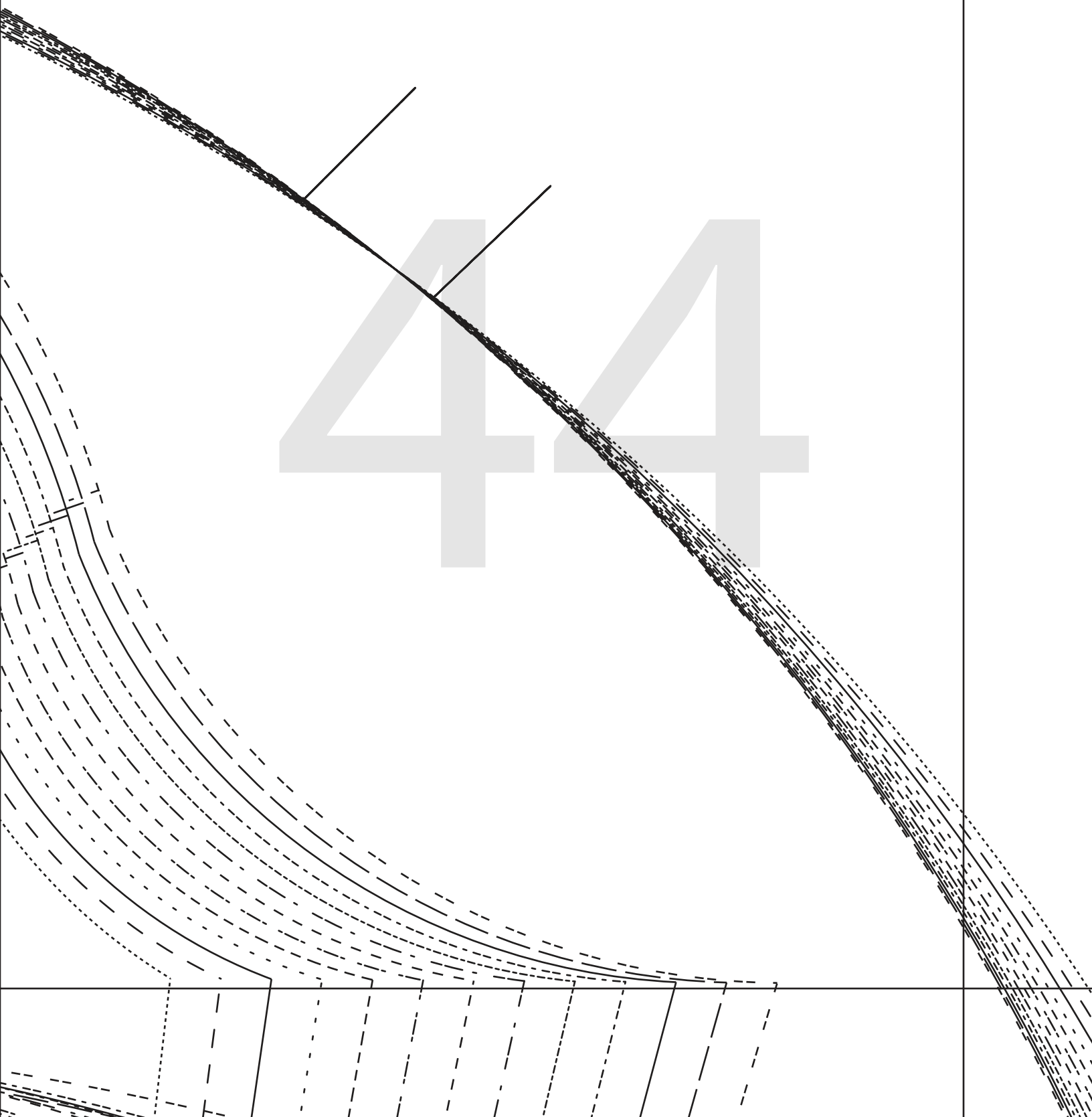


P LENGTH. HEM ALLOWANCE 1.2 cms (1/2")

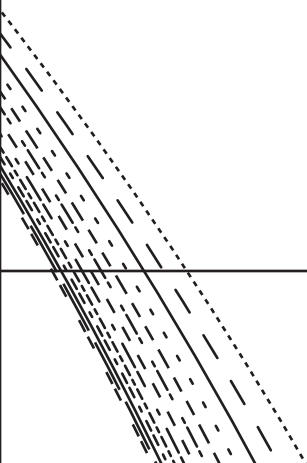
43



WAISTLINE

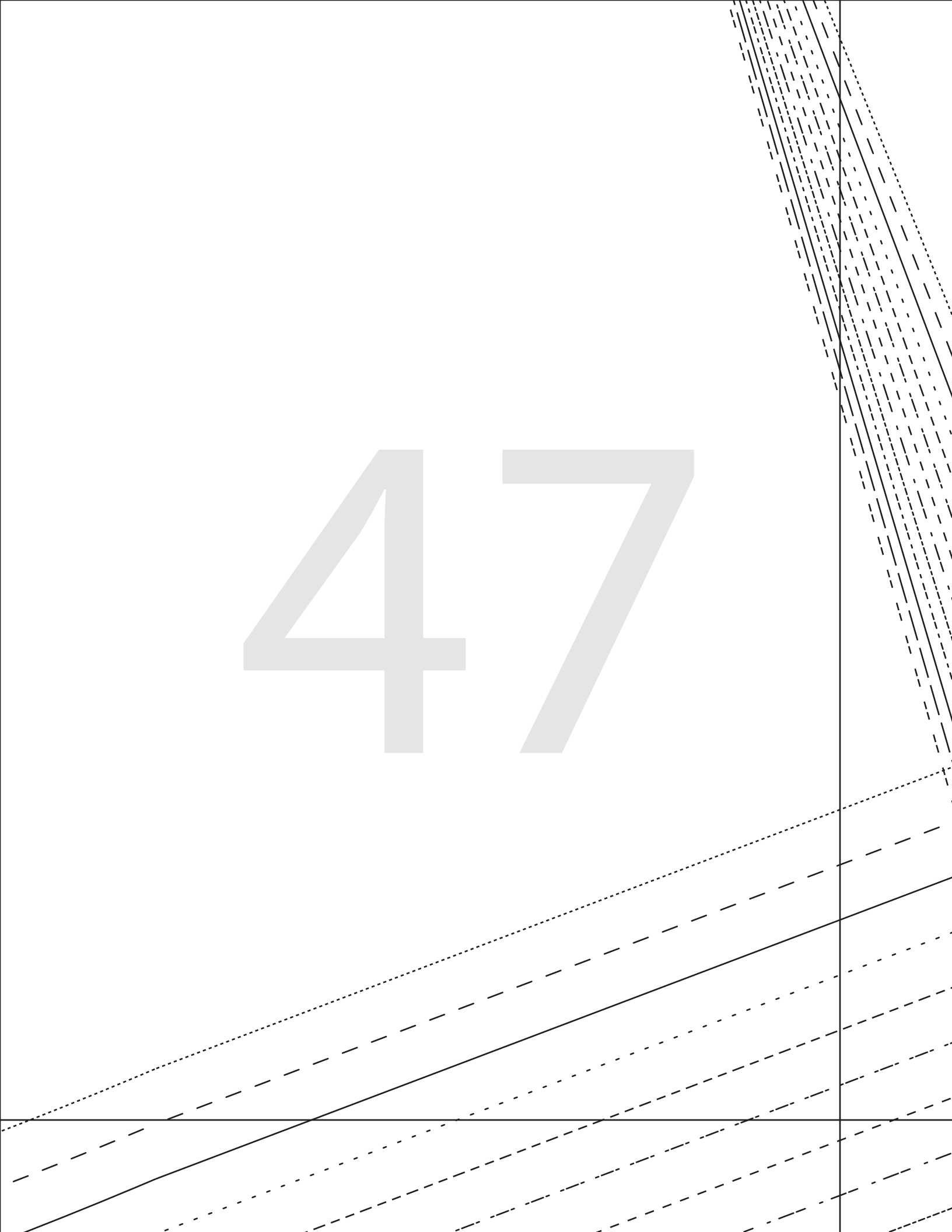


45



46

47



# 10

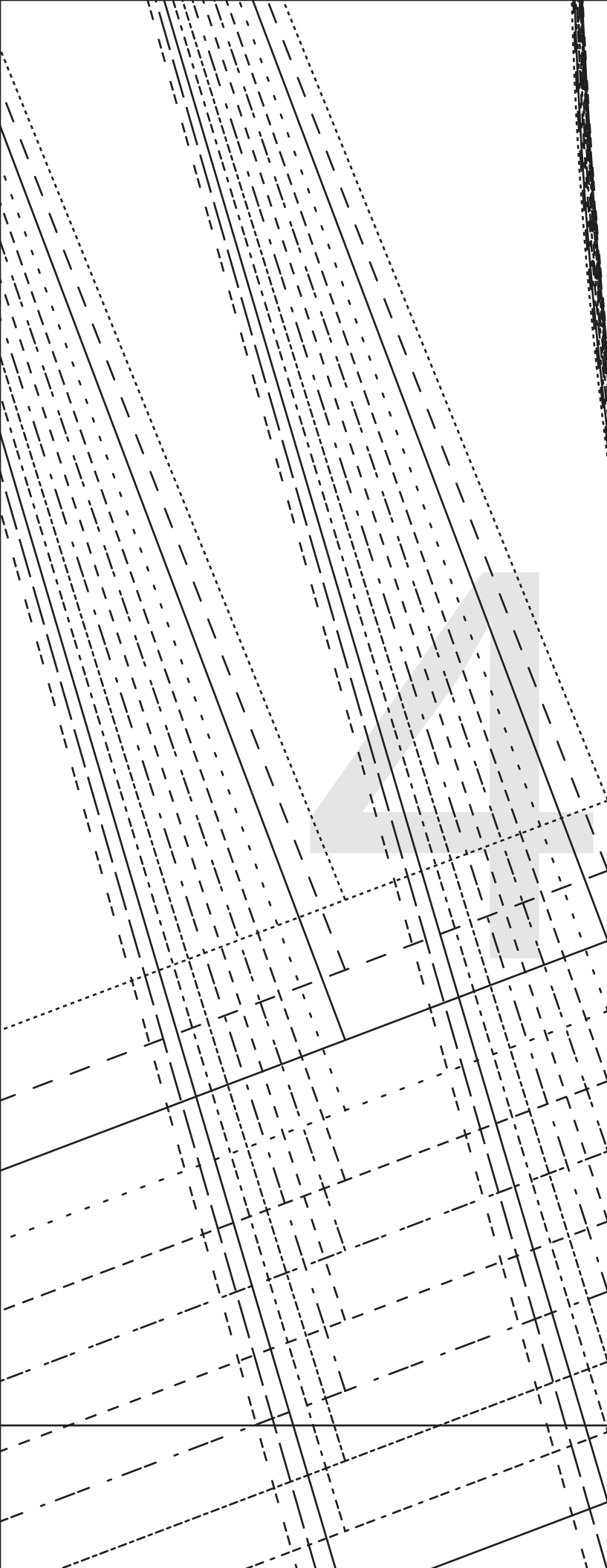
SIDE FRONT - C CUP

CUT 1

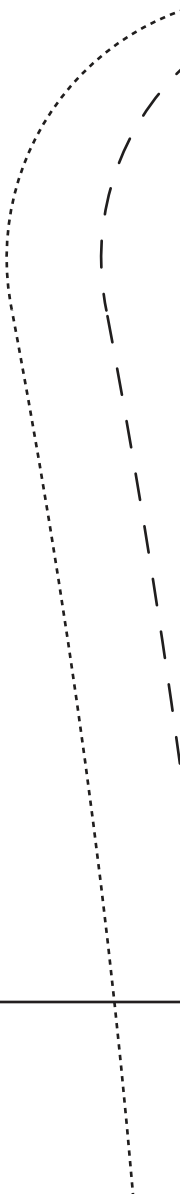
**CUT THIS WAY UP**

(6mms (1/4") seam allowance unless otherwise stated)

GREATEST STRETCH



48





P  
(stated)

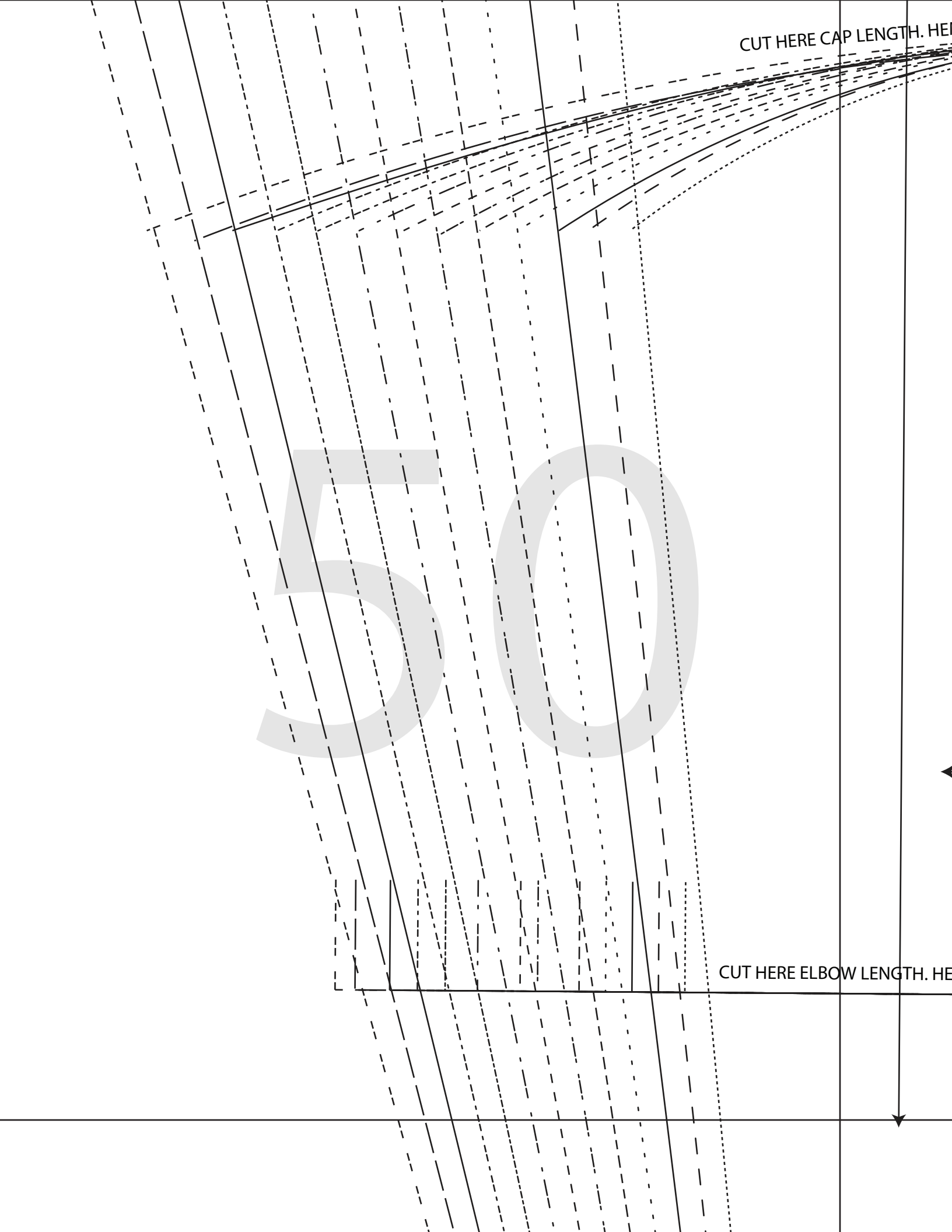
H →

49

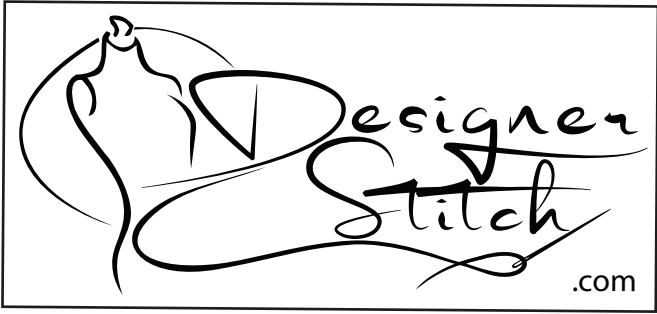
CUT HERE CAP LENGTH. HE

50

CUT HERE ELBOW LENGTH. HE



P LENGTH. HEM ALLOWANCE 1.2 cms (1/2")



# NOVA TWIST DRESS

#0324

**4**

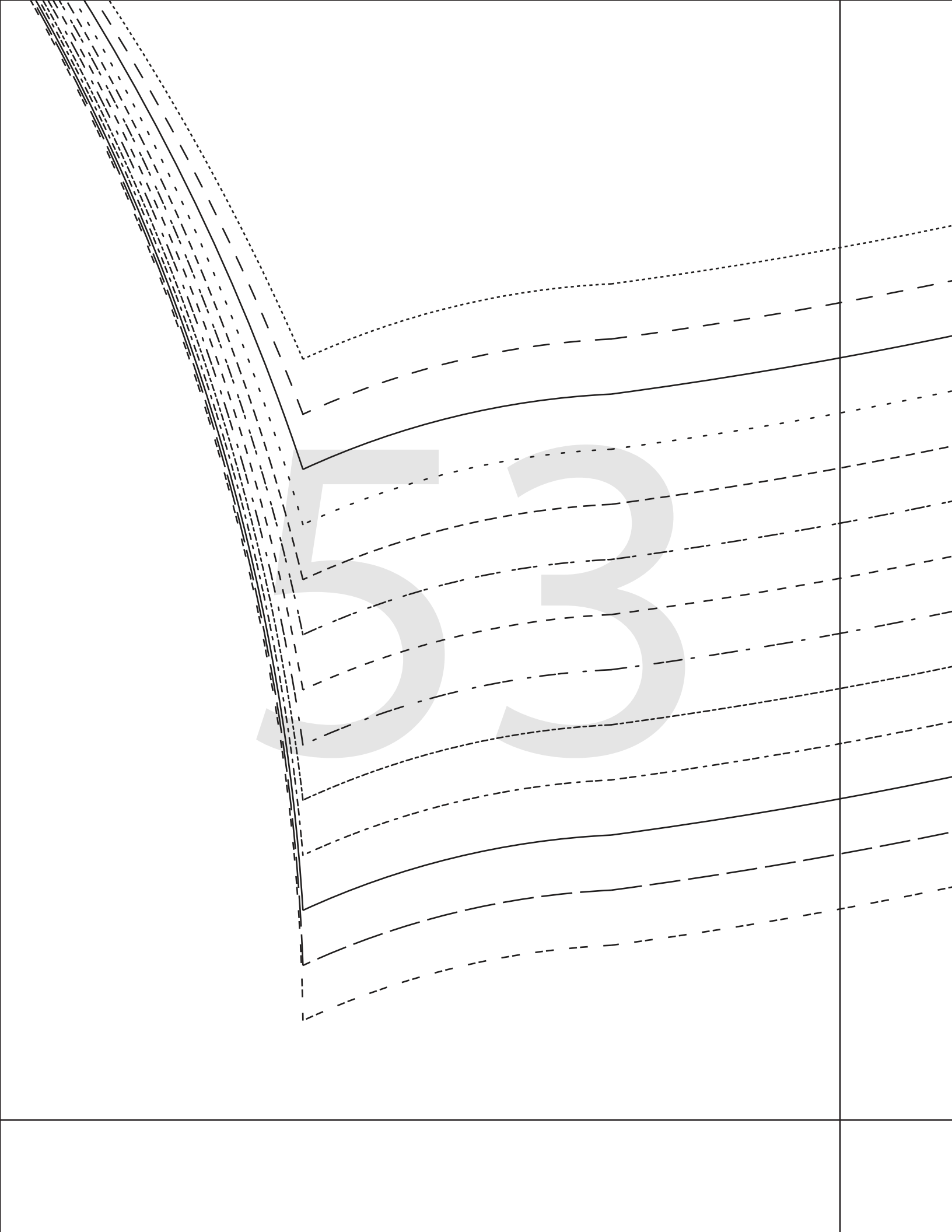
**SLEEVE  
CUT 2**

(6mms (1/4") seam allowance unless otherwise stated)



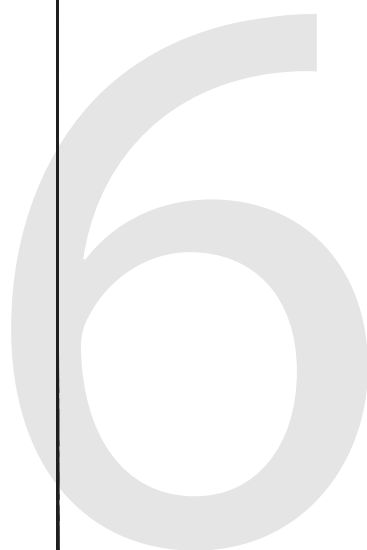
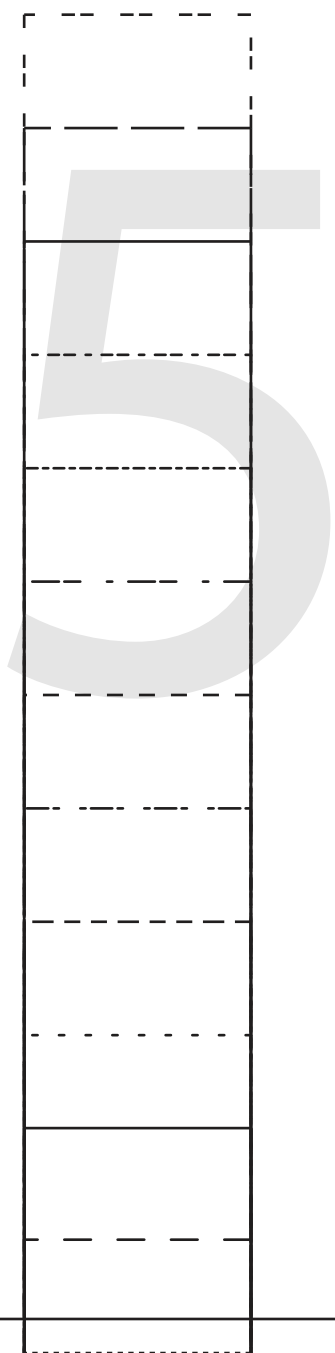
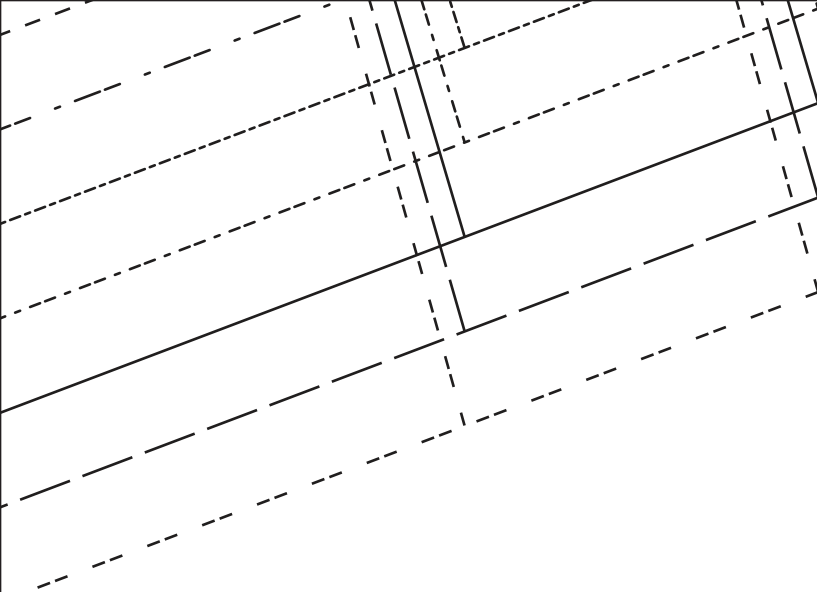
W LENGTH. HEM ALLOWANCE 2.5 cms (1")

52



54

55

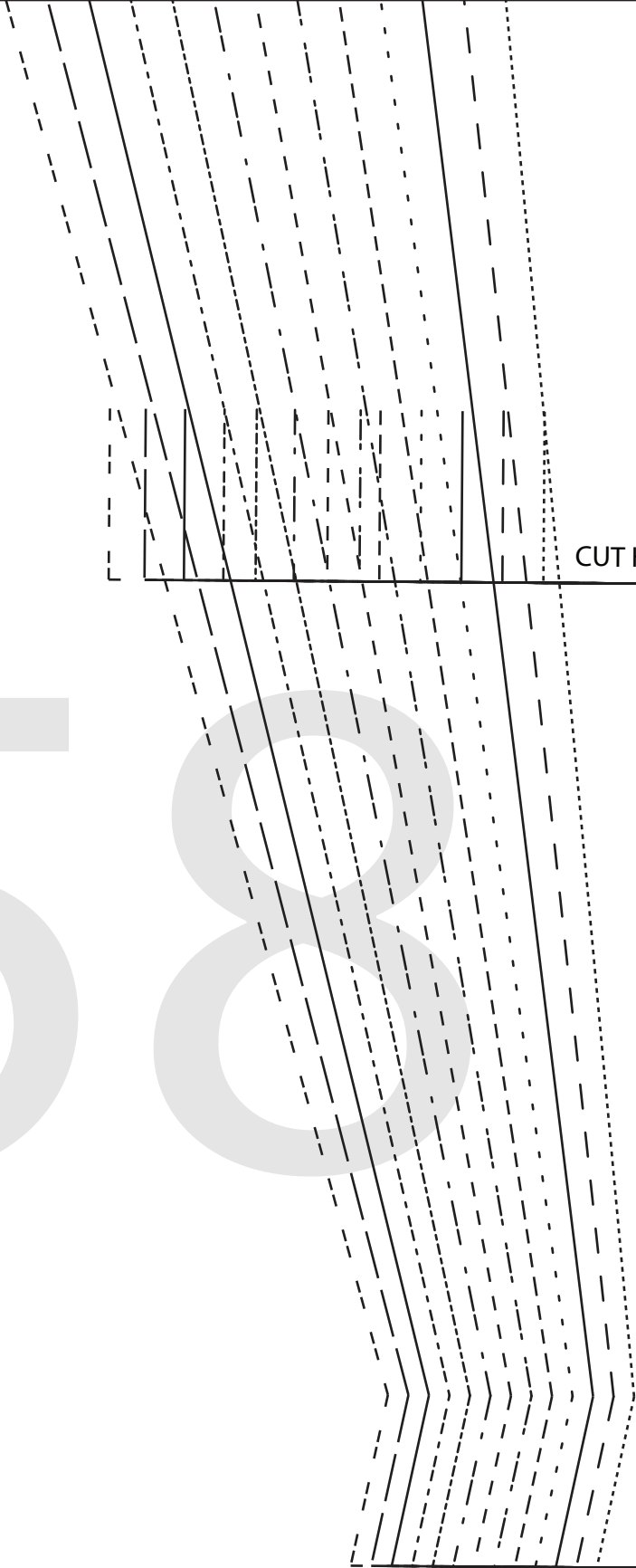


e stated)



5 7

58

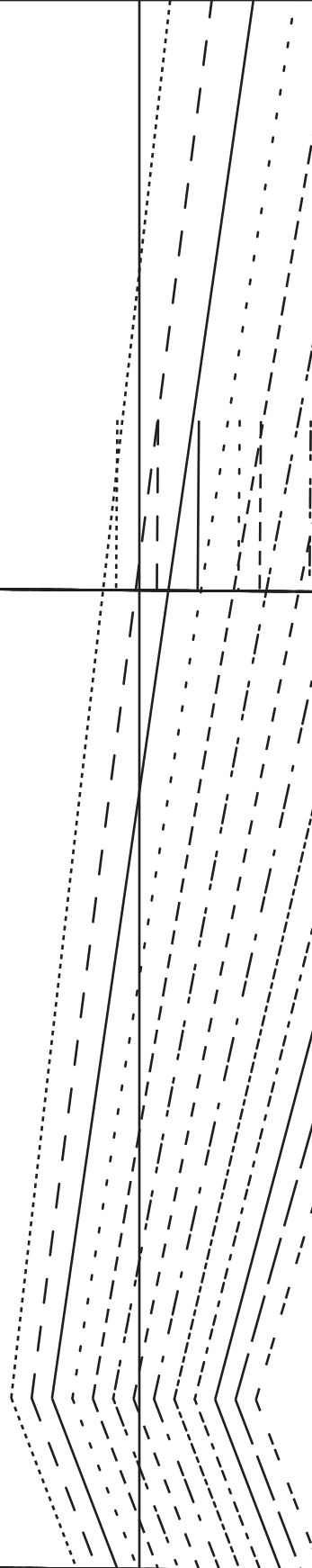


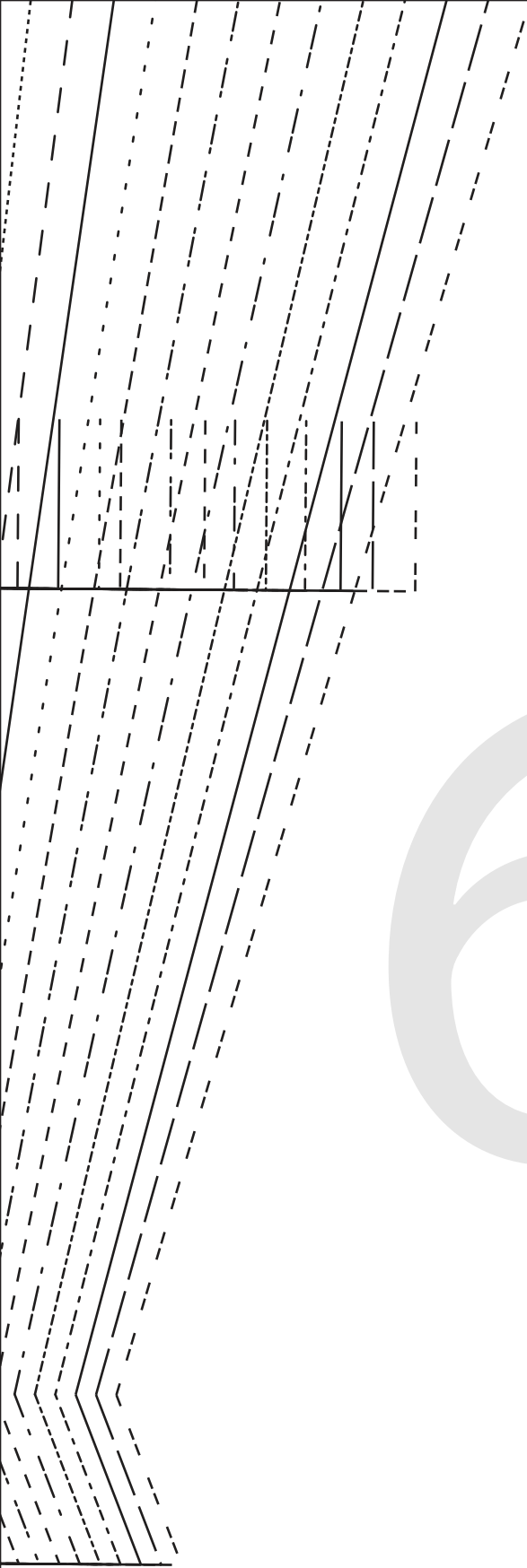
CUT HERE 3/4'S LENGTH.



3/4's LENGTH. HEM ALLOWANCE 2.5 cms (1")

59





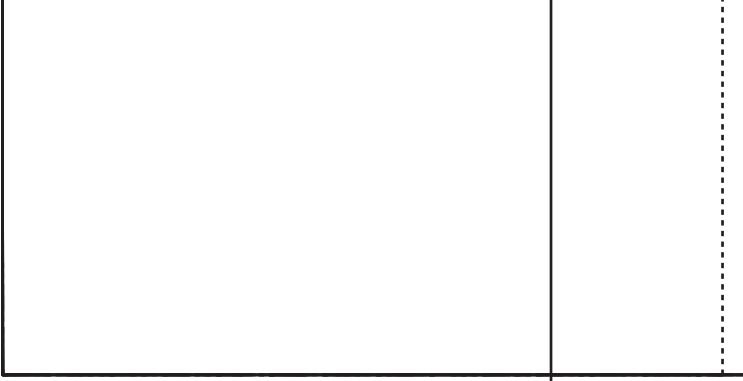
60



NOVA TWIST TOP  
#0324  
**7**

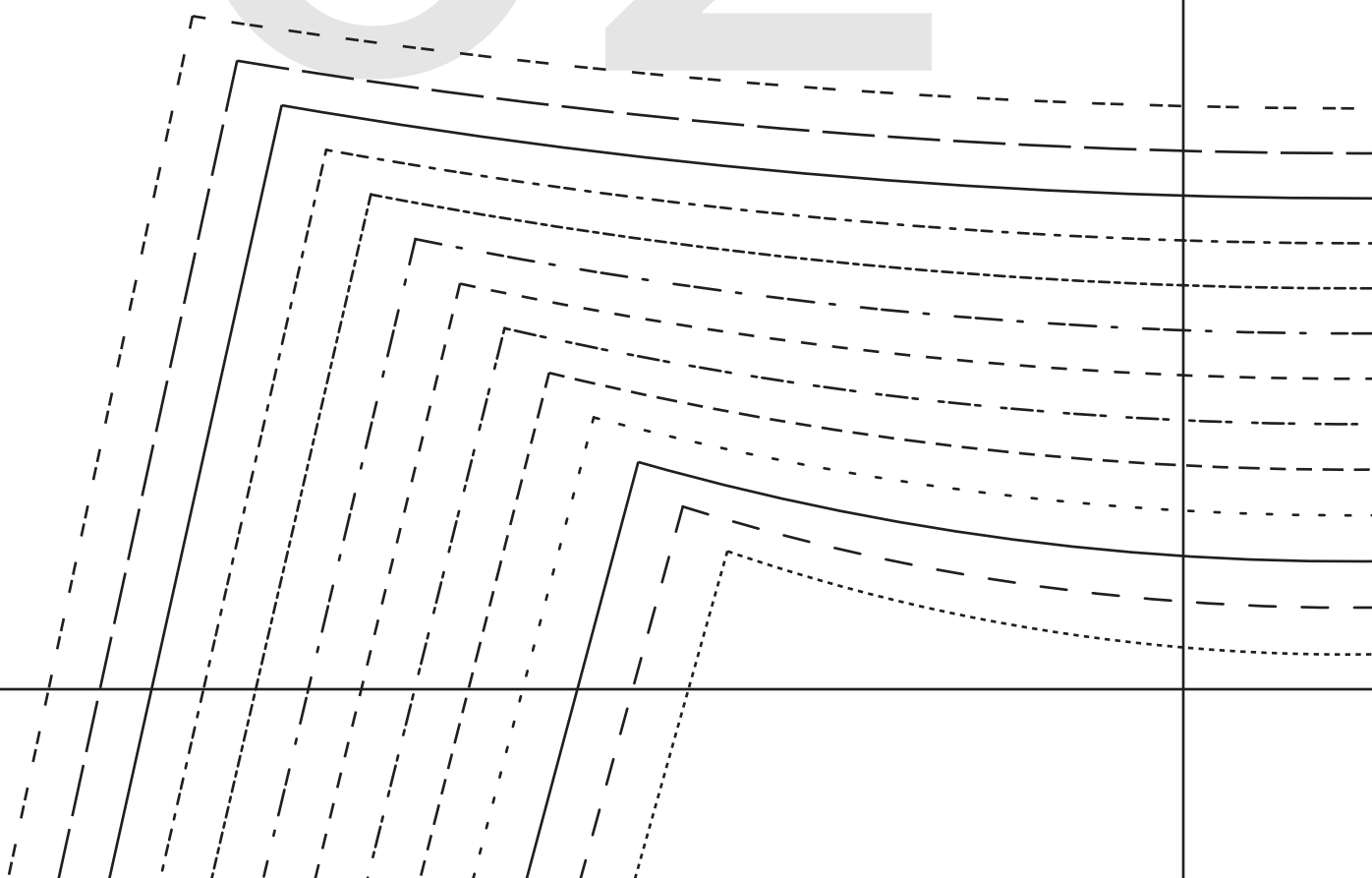
ARMHOLE BIND  
CUT 2

(6mm (1/4") seam allowance unless otherwise stated)

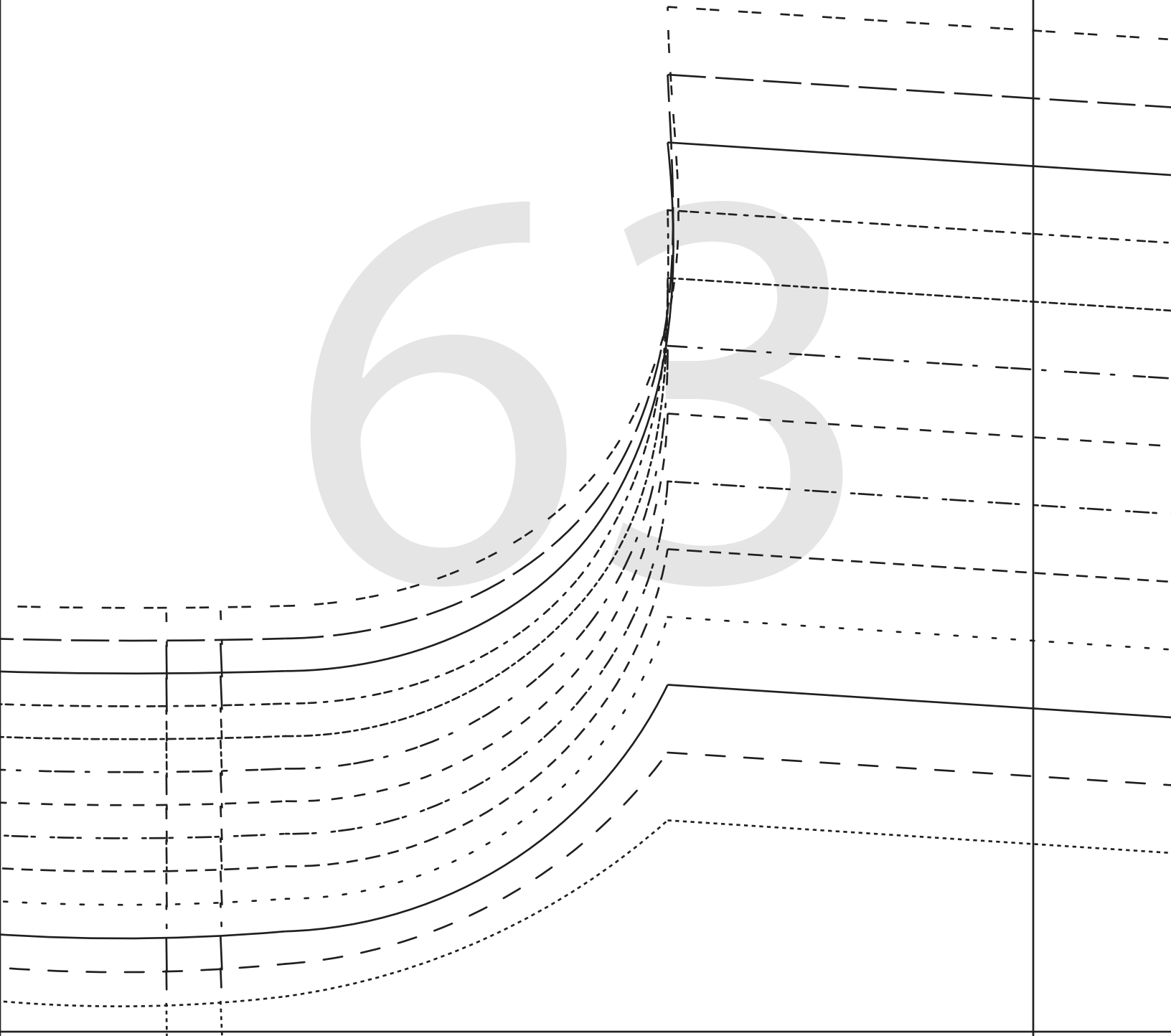


6 1

62



6 3





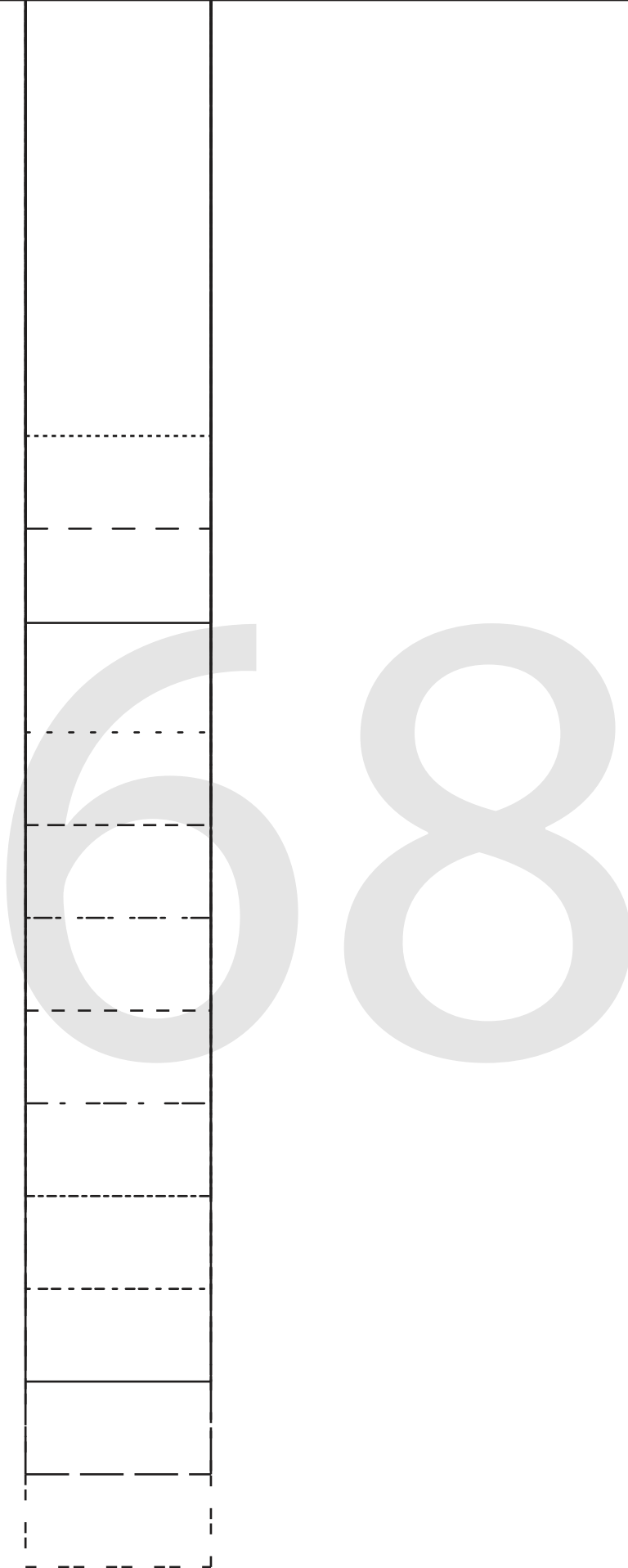
64

WAISTLINE

65

66

6 7







**NOVA TWIST DRESS**  
**#0324**

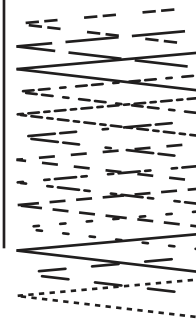
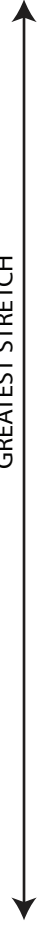
**8**

**BACK**

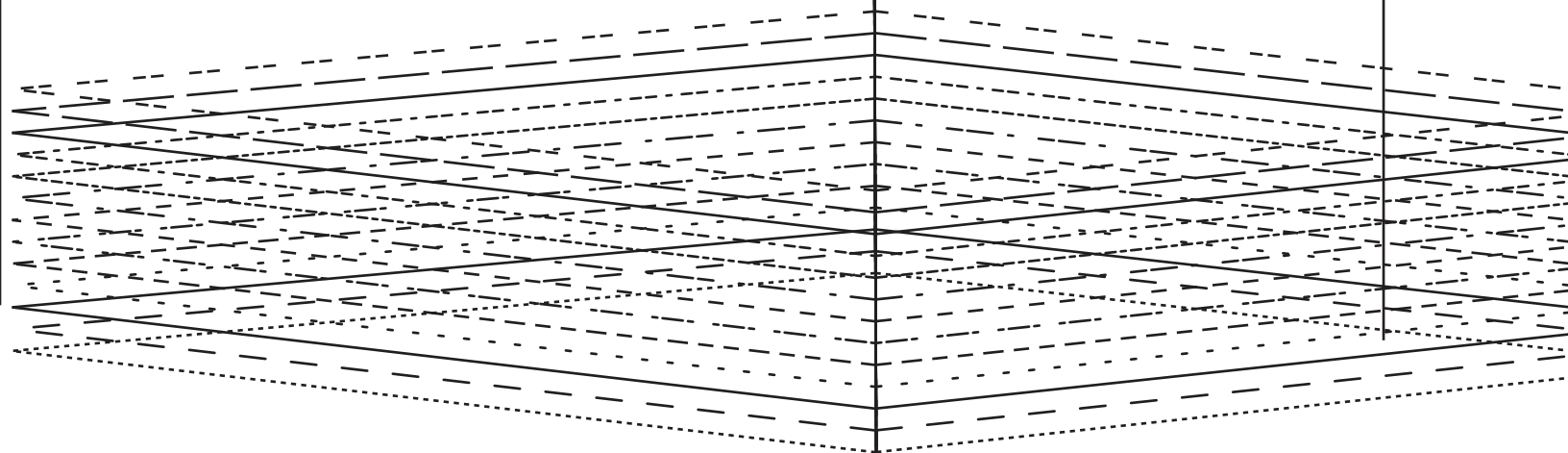
**CUT 1 FOLD**

(6mm (1/4") seam allowance unless otherwise stated)

GREATEST STRETCH



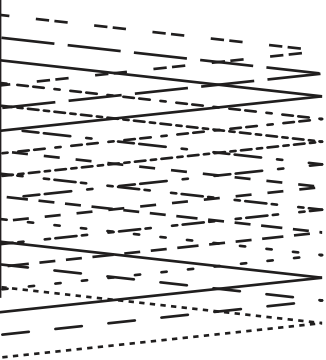
WAISTL



71







72

---

73

---

74