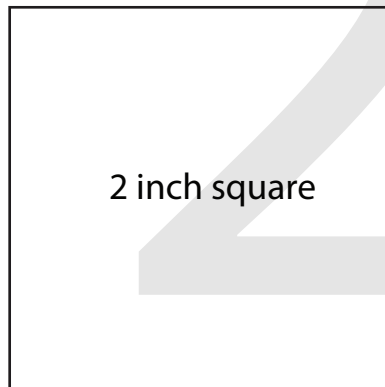
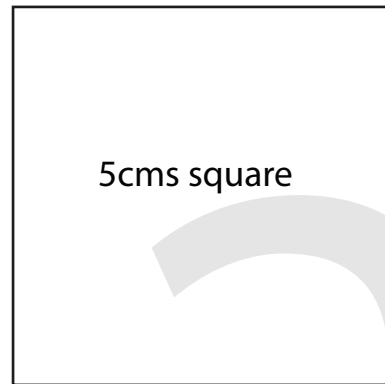


PRINT TILING TEMPLATE GUIDE FOR SIZE SPECIFIC CHOICE
 TRIMLESS PRINT AT HOME PATTERN

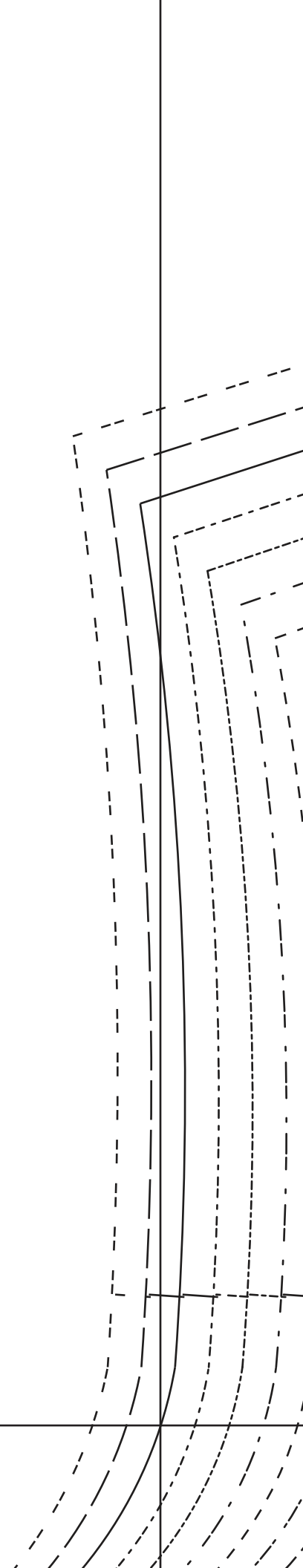


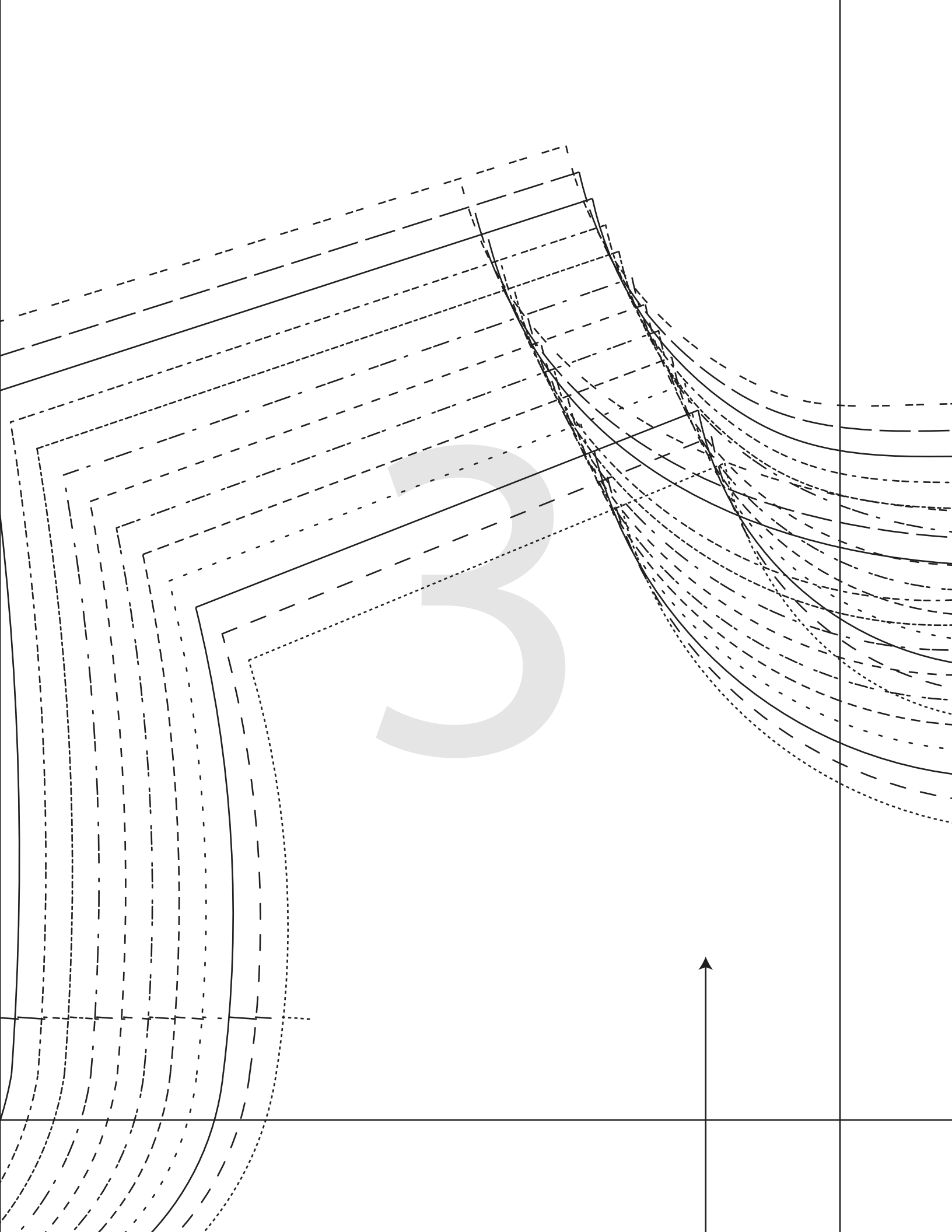
NOVA TWIST DRESS

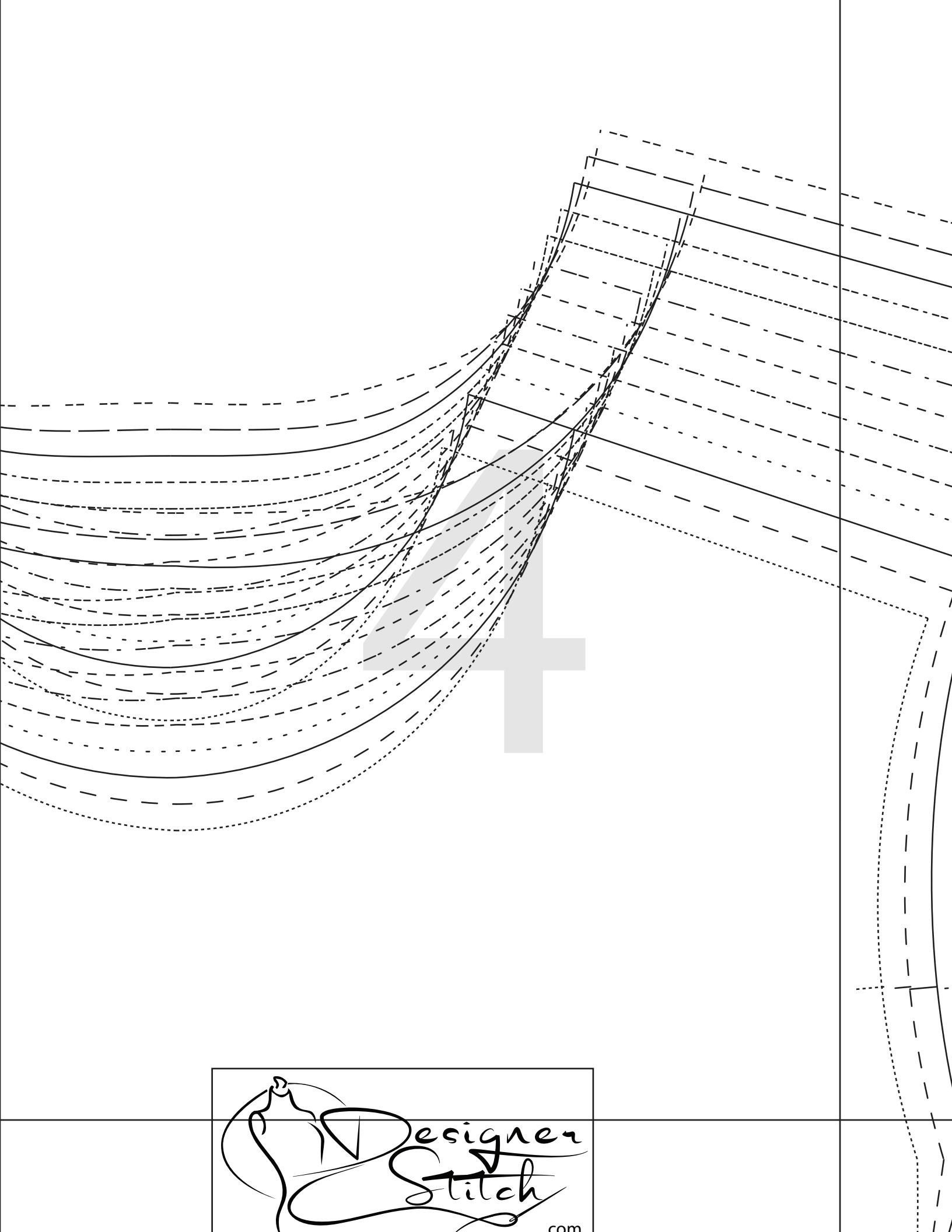
#0324

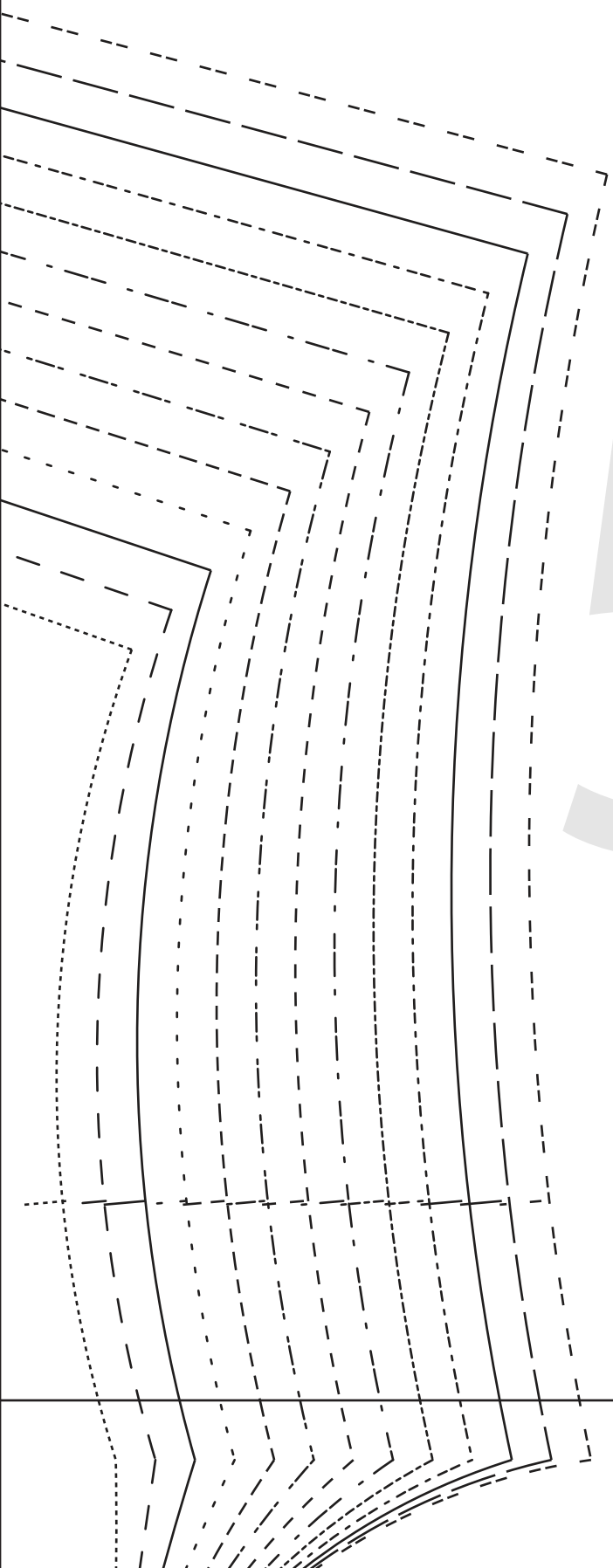


FRONT -
D, DD Cup

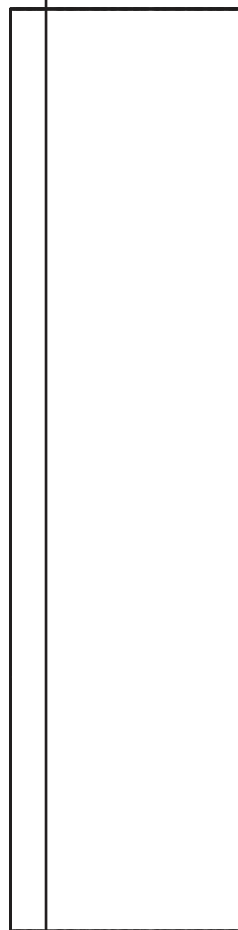








5





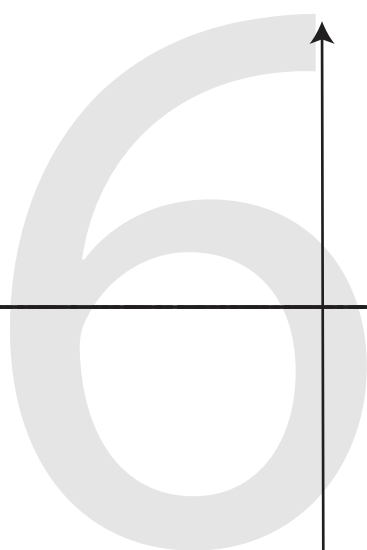
NOVA TWIST DRESS
#0324

5

TURTLE NECK COLLAR
CUT 1

(6mms (1/4") seam allowance unless otherwise stated)

GREATEST STRETCH





WIST DRESS

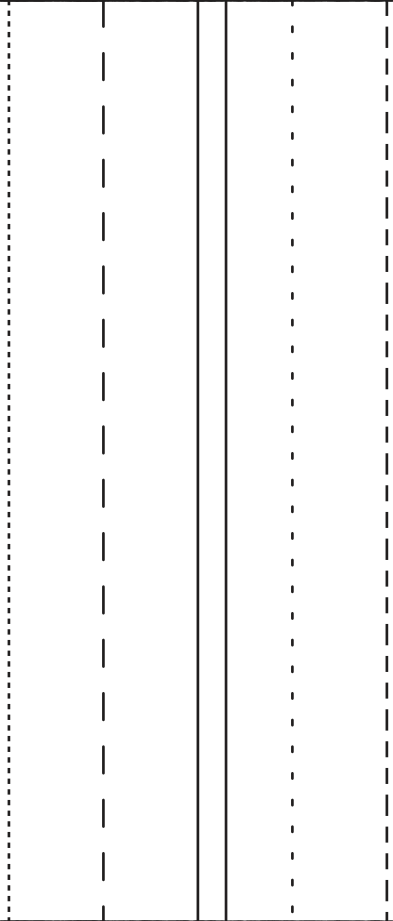
4

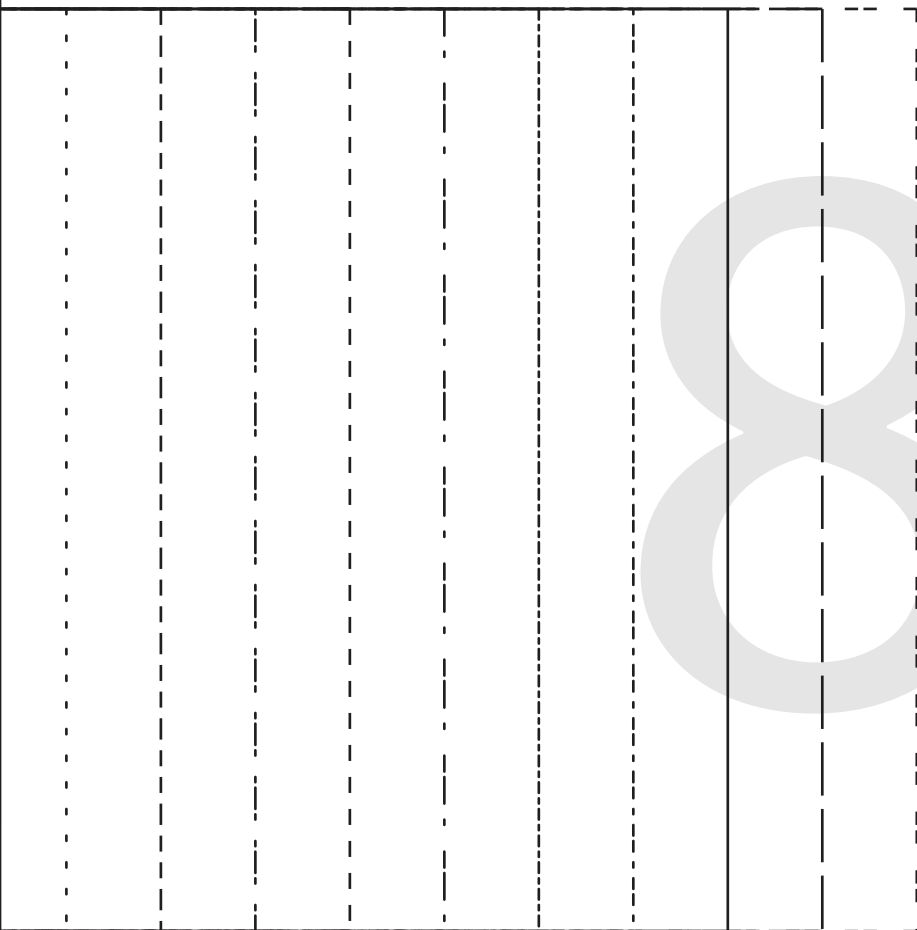
CK COLLAR

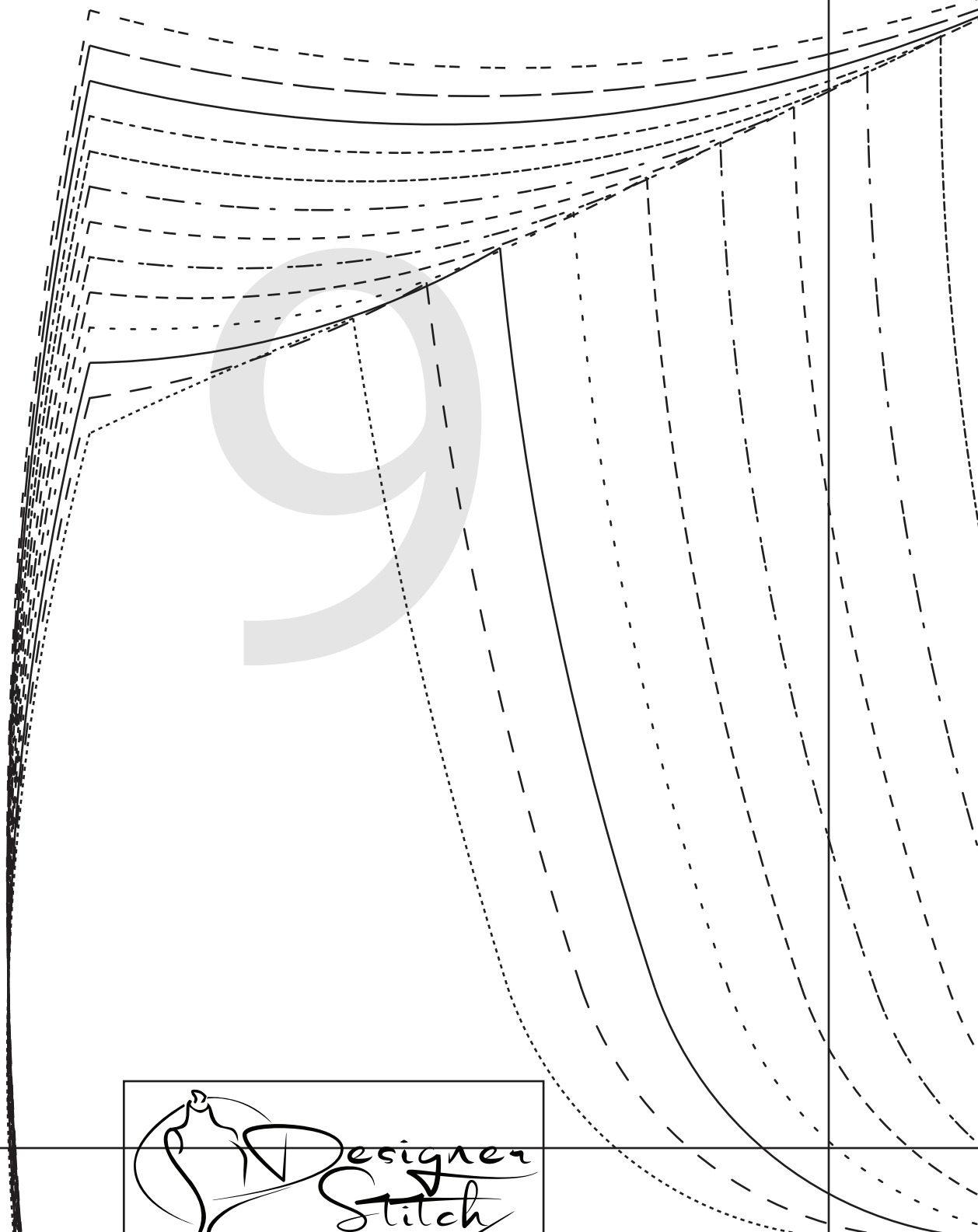
1

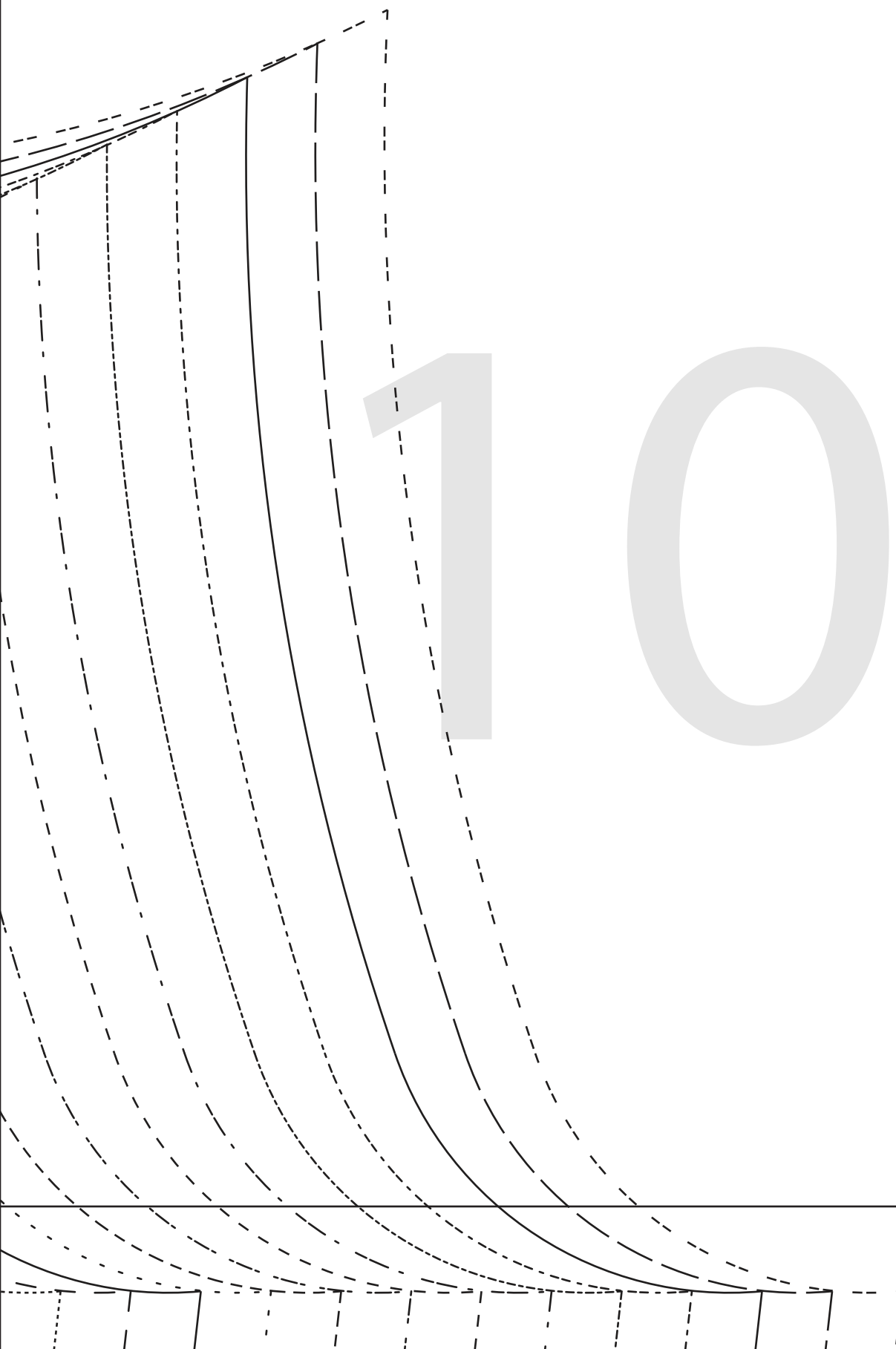
(once unless otherwise stated)

GREATEST STRETCH

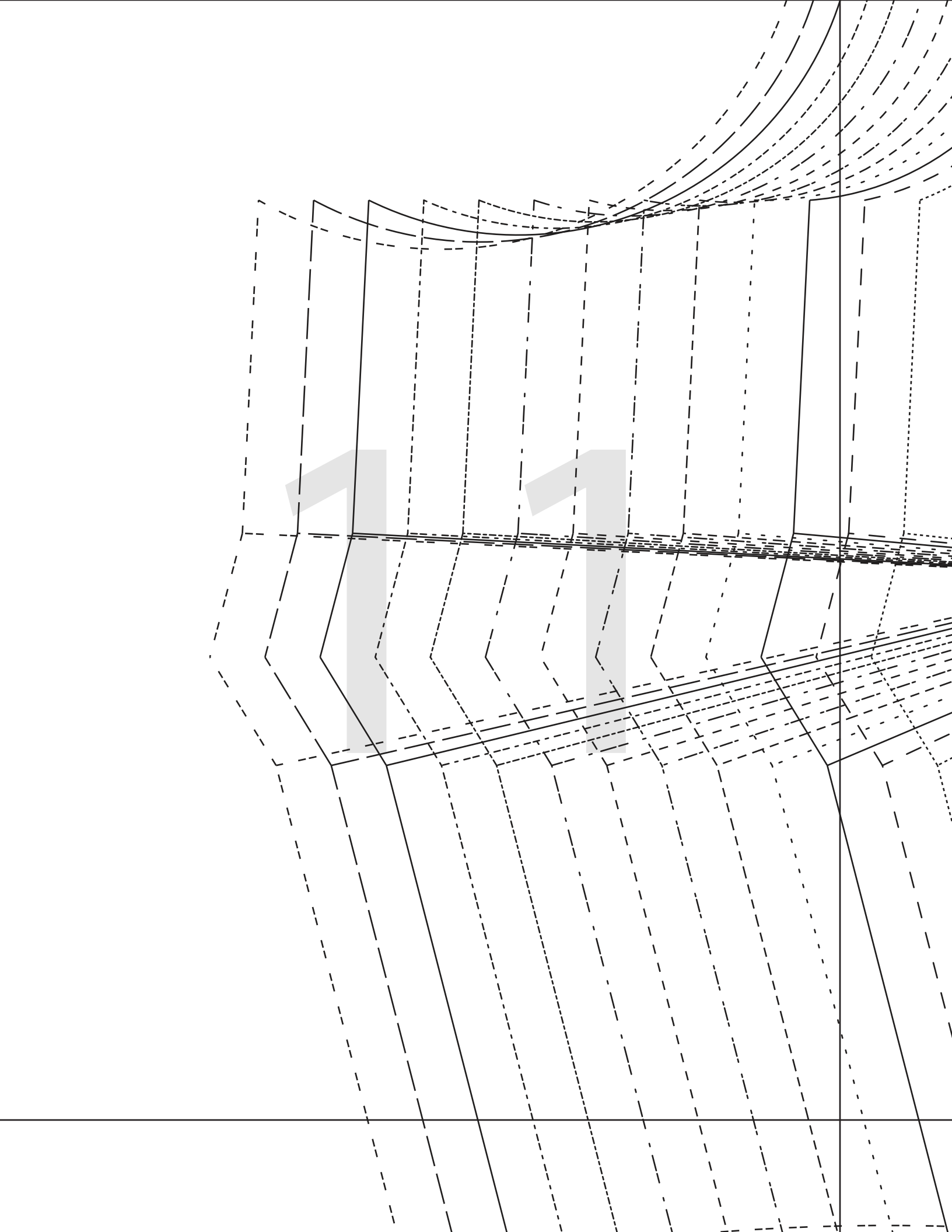


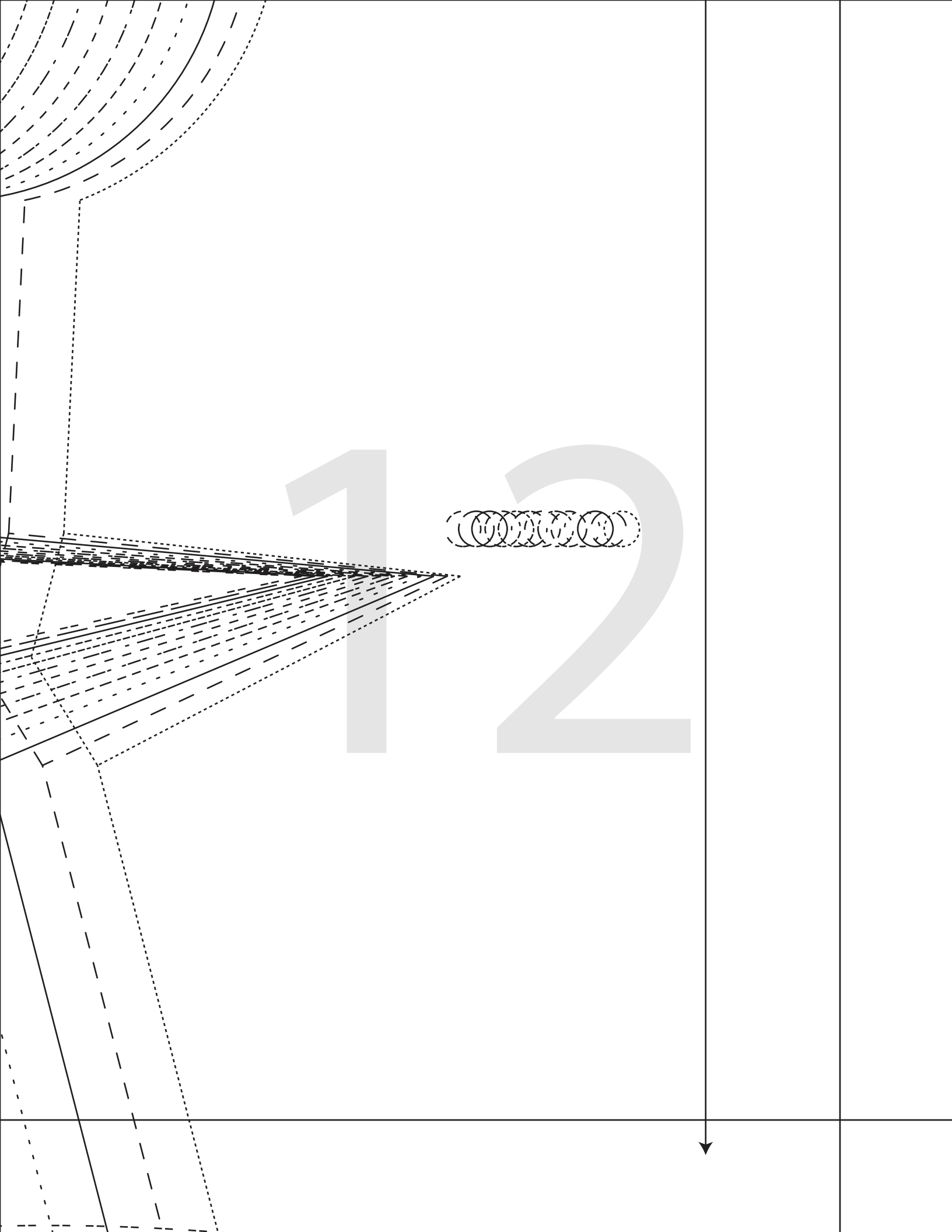






10







NOVA TWIST DRESS

#0324

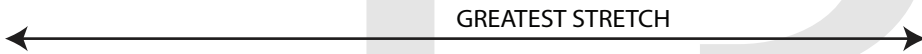
9

FRONT - D CUP

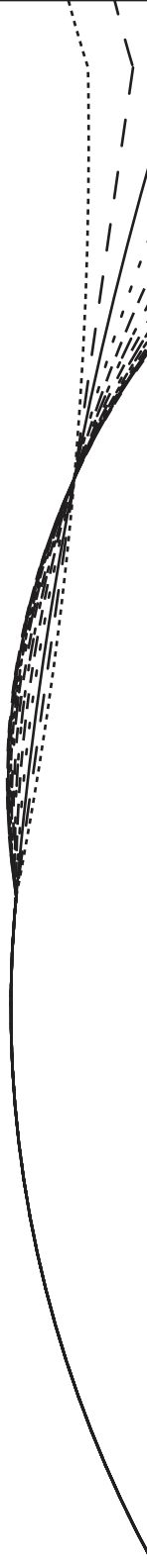
CUT 1

CUT THIS WAY UP

(6mms (1/4") seam allowance unless otherwise stated)



13

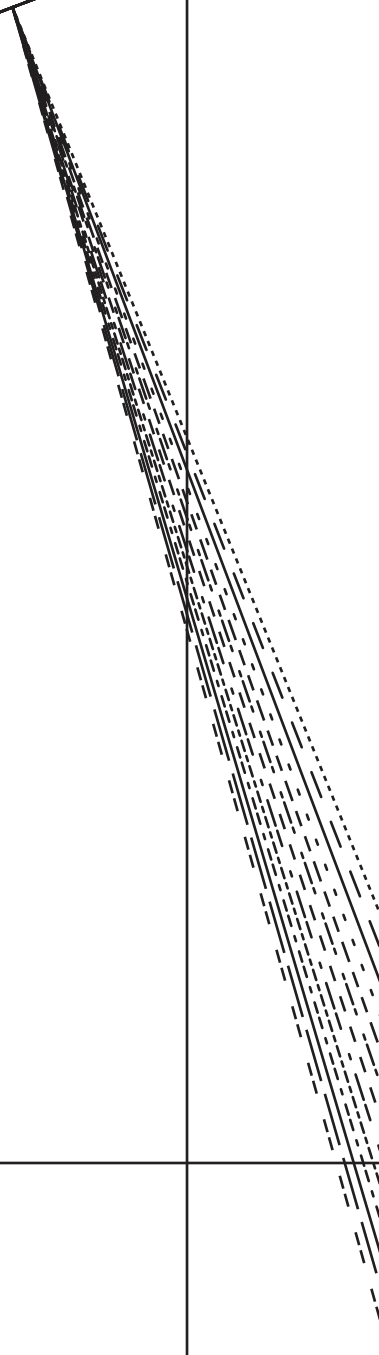


The image features a technical drawing of a curved surface, possibly a dome or a similar structure, rendered with a grid of lines. The drawing is positioned on the left side of the frame. In the center, the number '14' is displayed in a large, bold, light gray font. The background is white, and the drawing is enclosed within a thin black border.

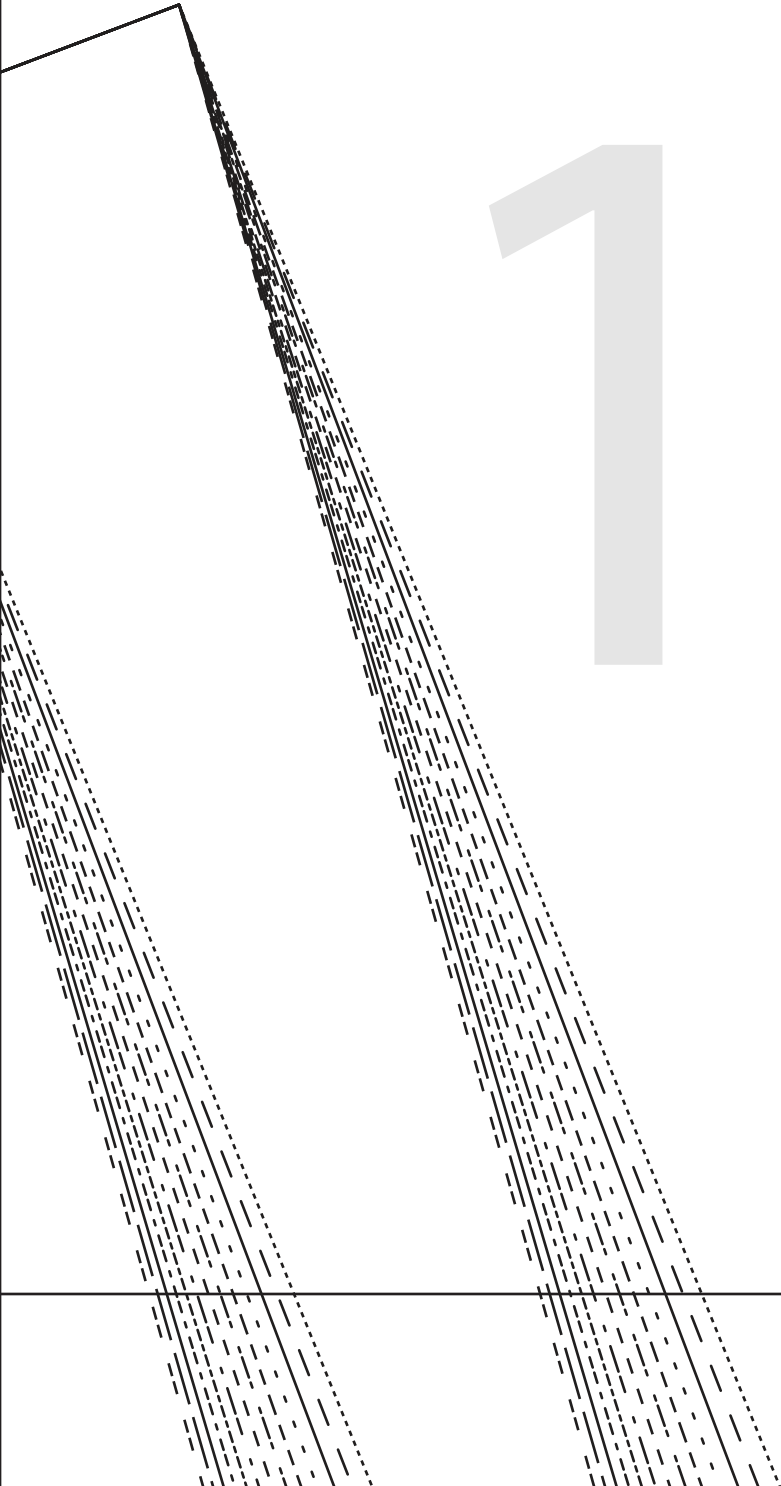
14

15

16



17



NOVA TWIST DRESS
#0324

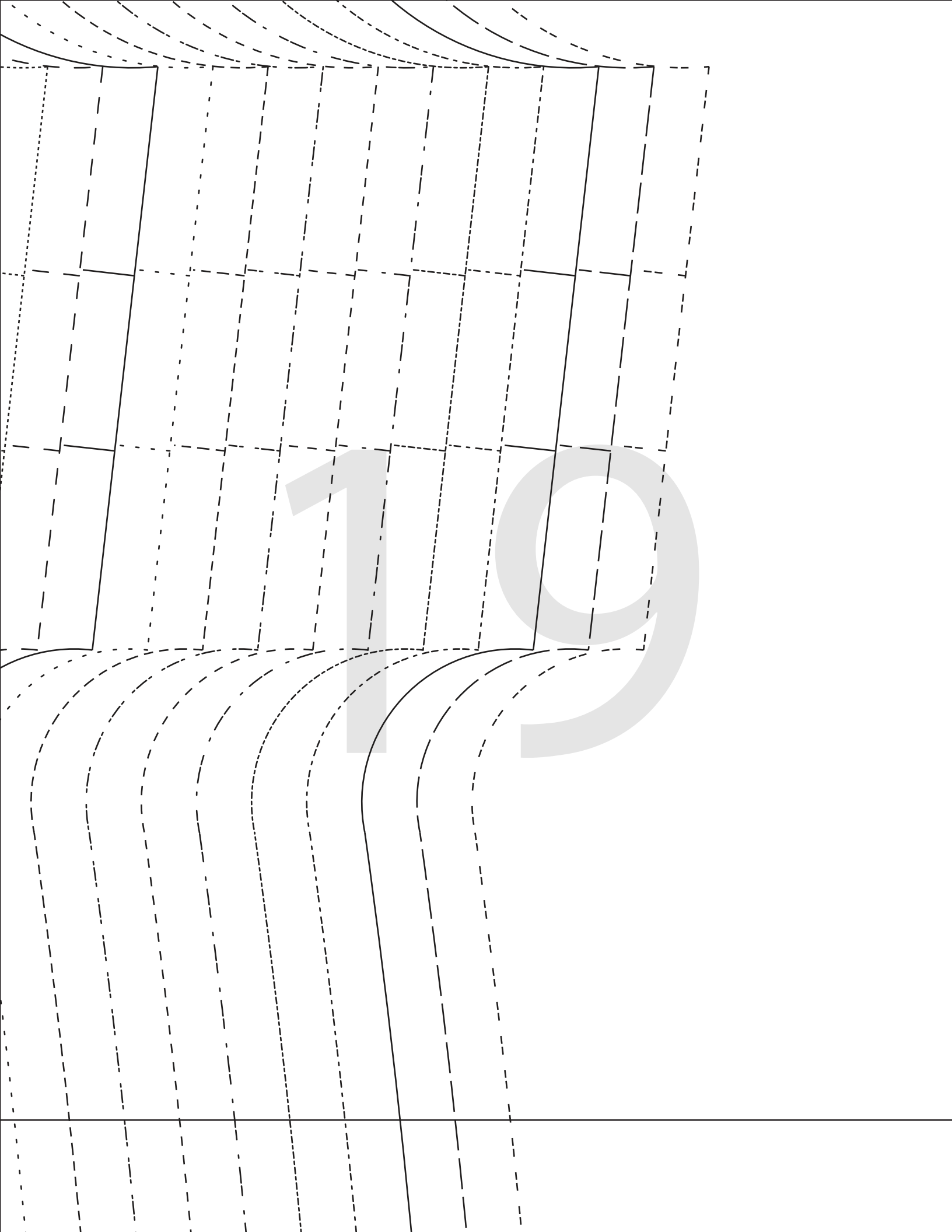
10

SIDE FRONT - D CUP
CUT 1

CUT THIS WAY UP

(6mms (1/4") seam allowance unless otherwise stated)





SIZE KEY

1
.....

2 - - - - -
.....

3 _____
.....

4
.....

5 - - - - -
.....

6
.....

7 - - - - -
.....

8
.....

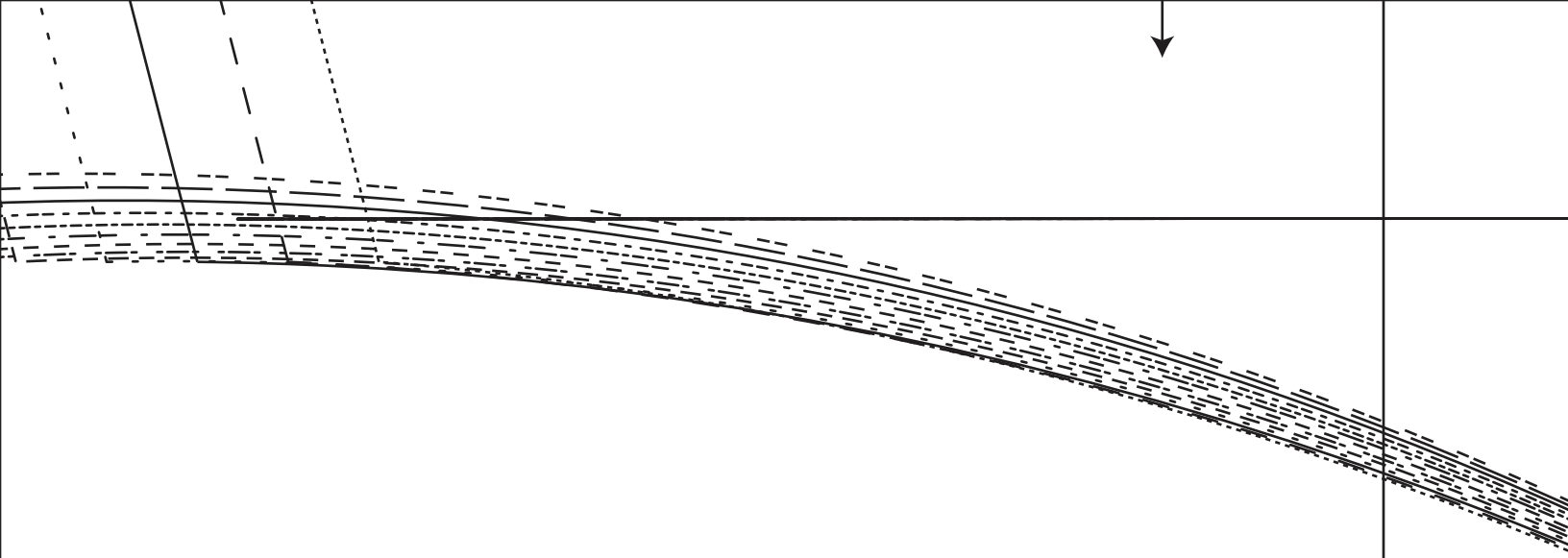
9
.....

10
.....

11 _____
.....

12 - - - - -
.....

13
.....



21

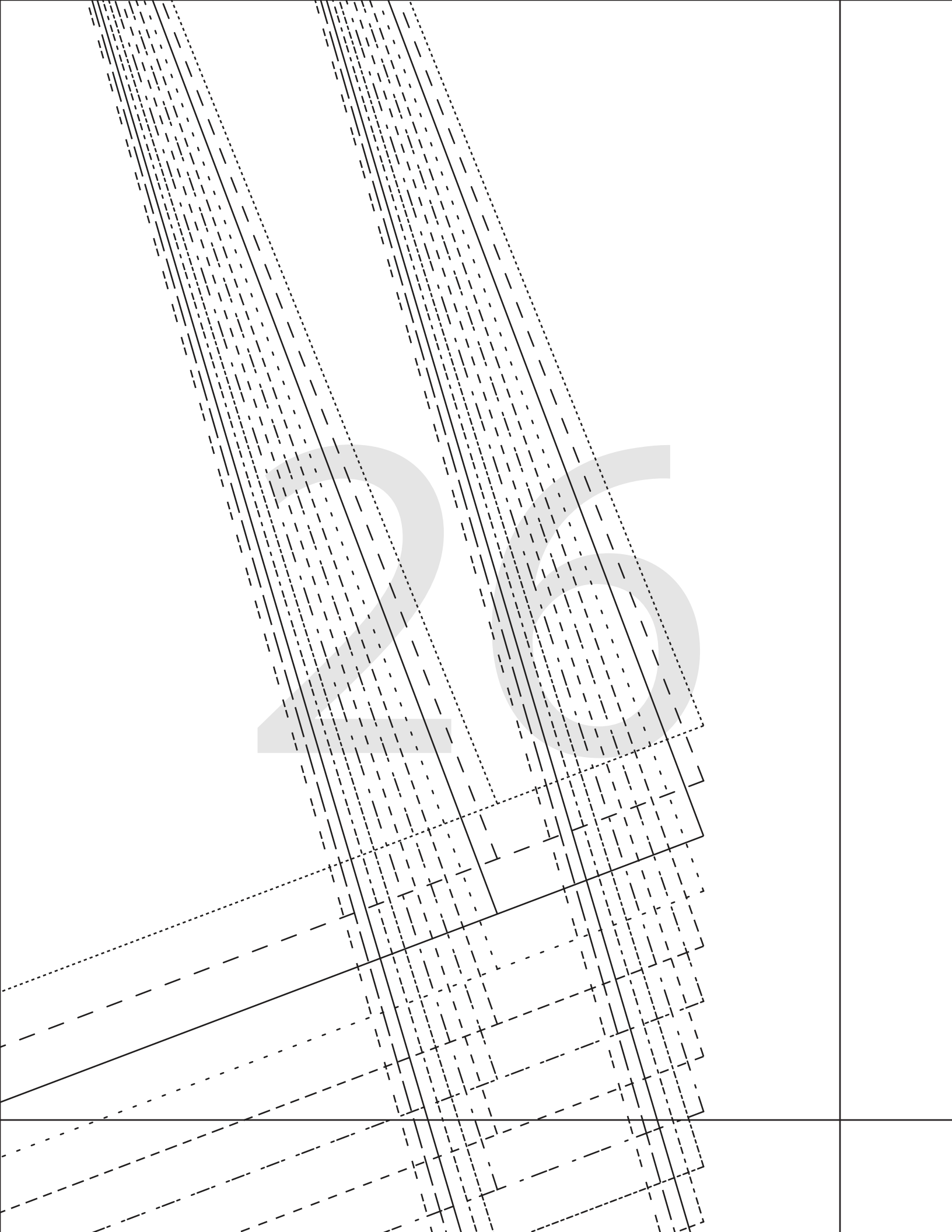
WAISTLINE



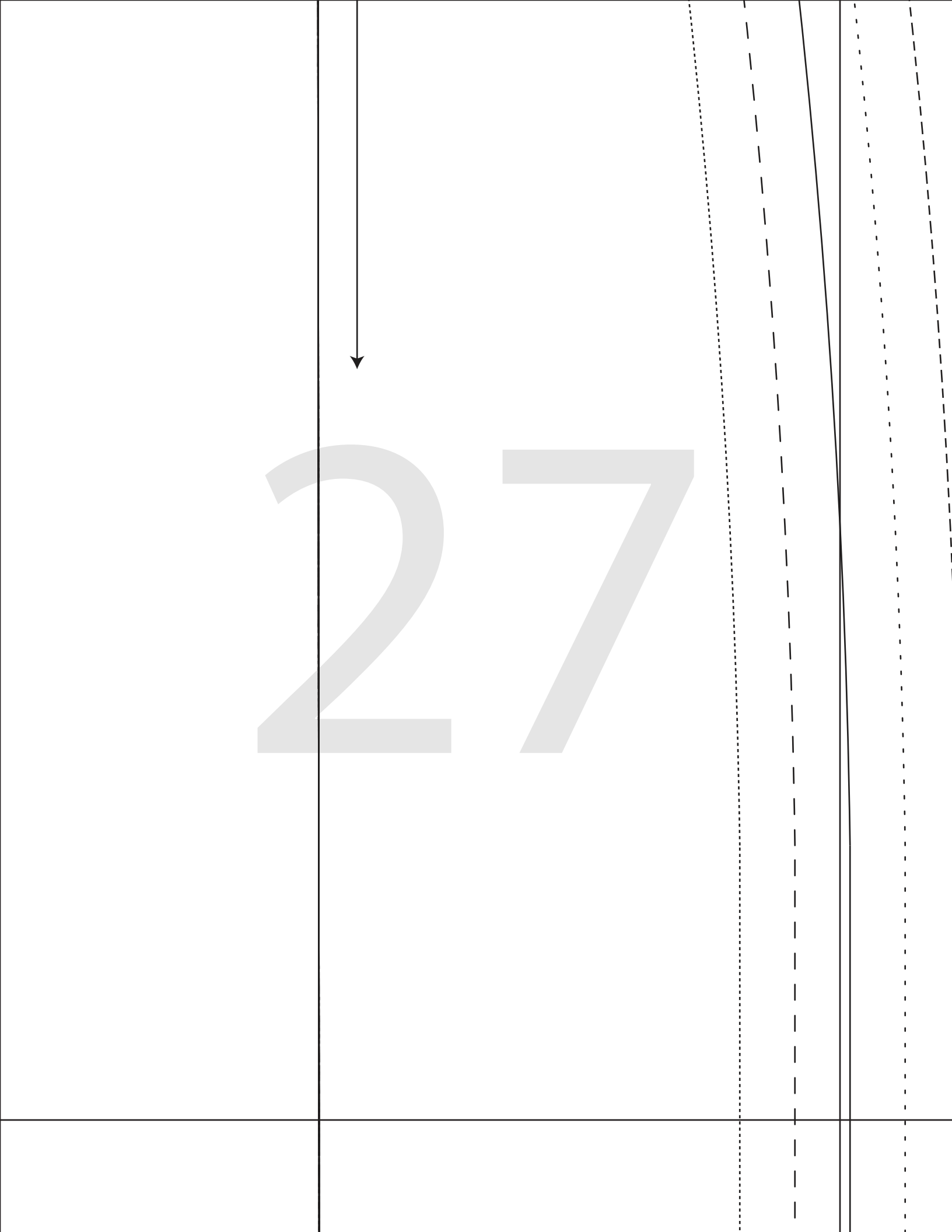
23

24

25

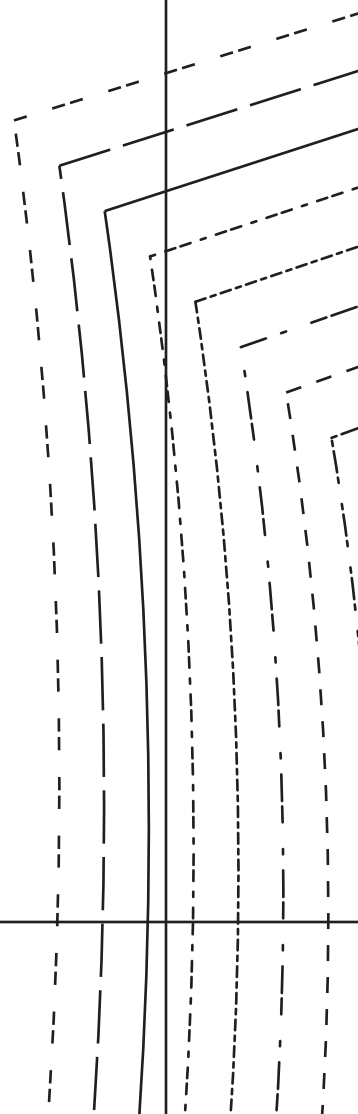


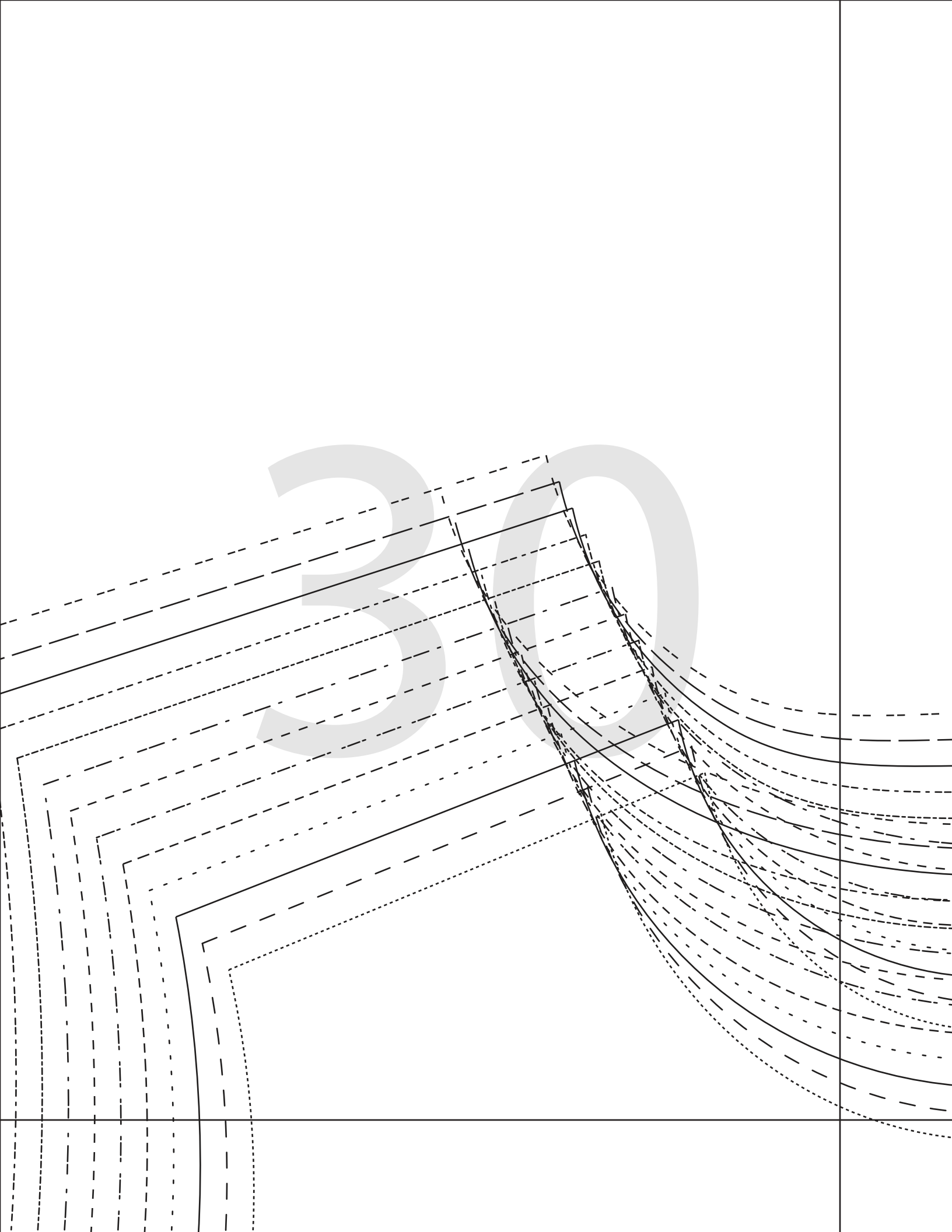
27

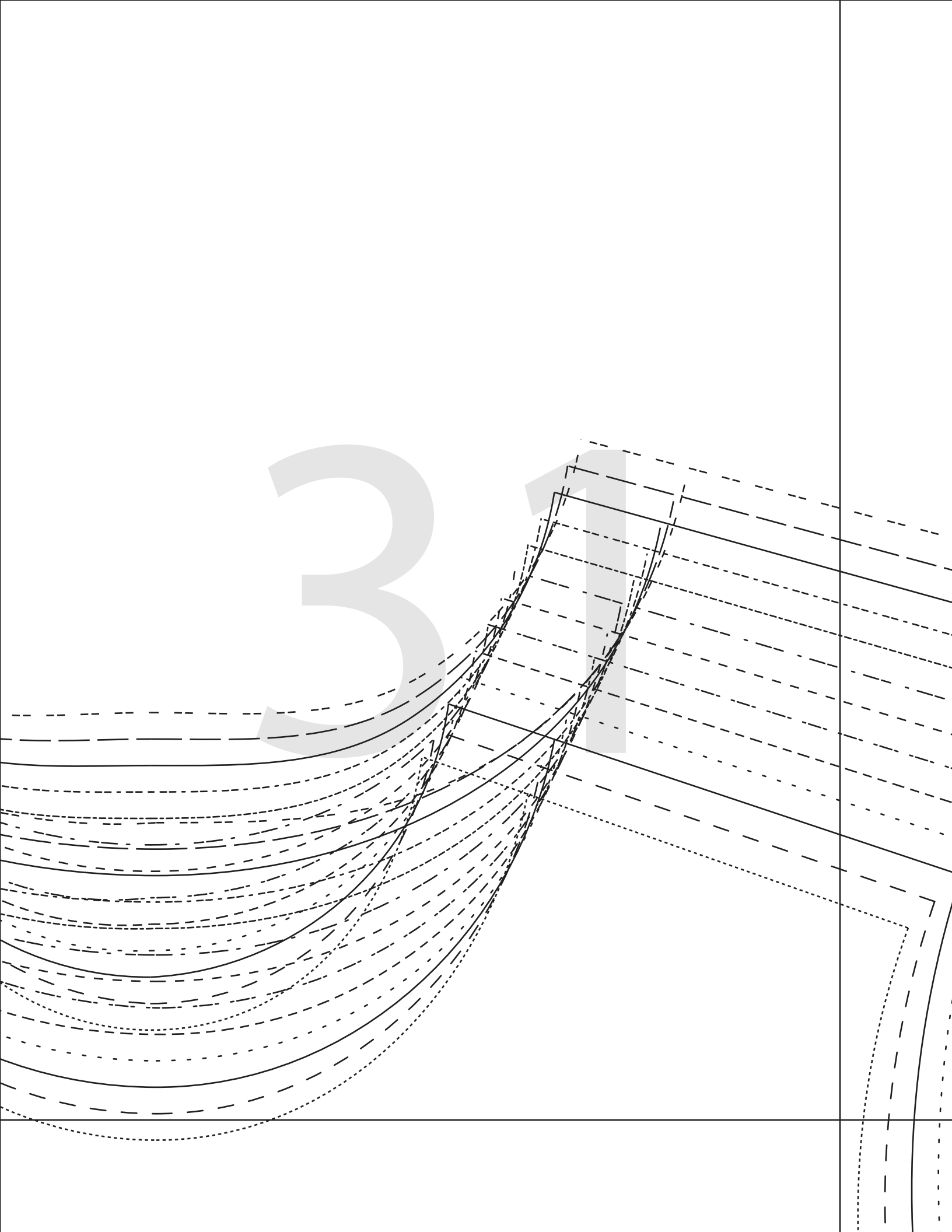


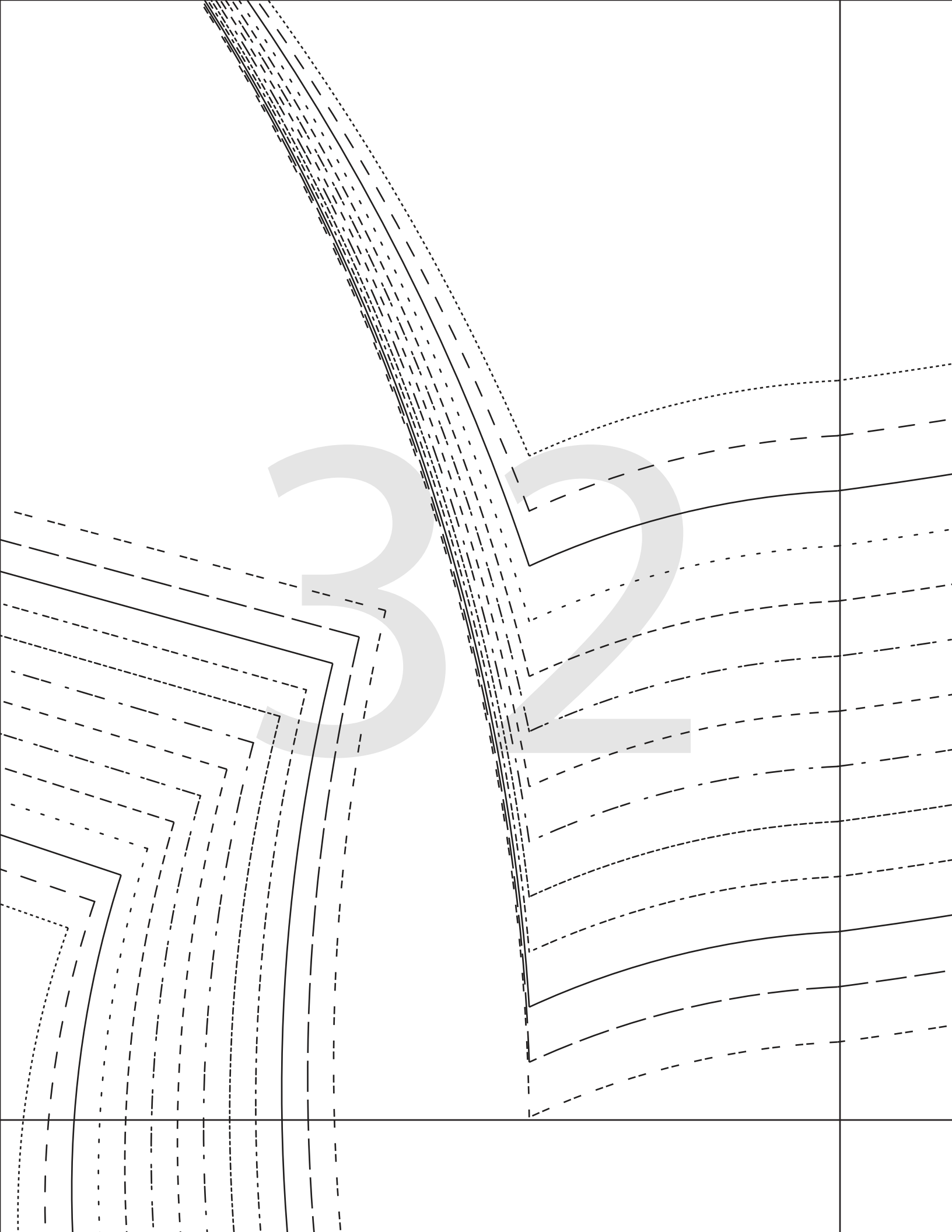
28

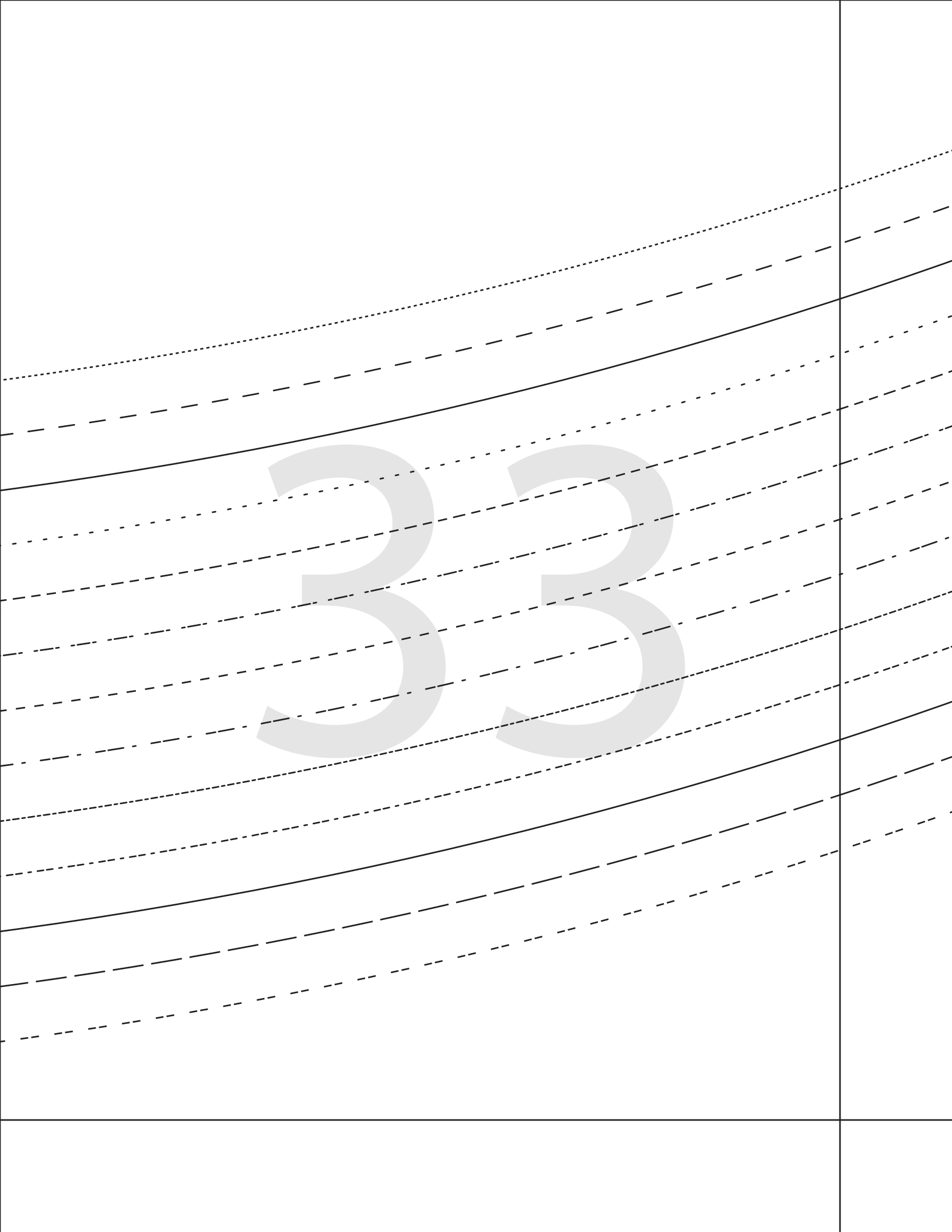
29



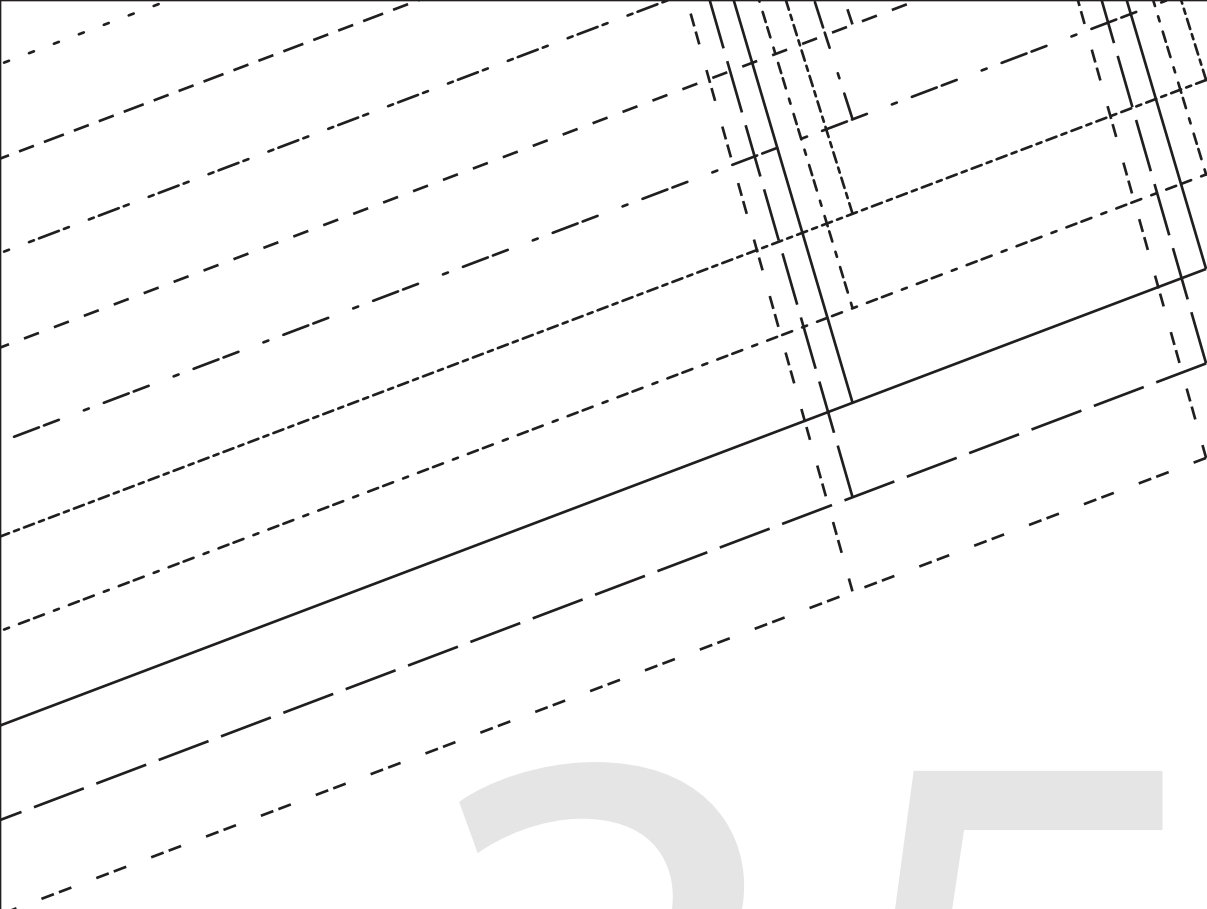








34

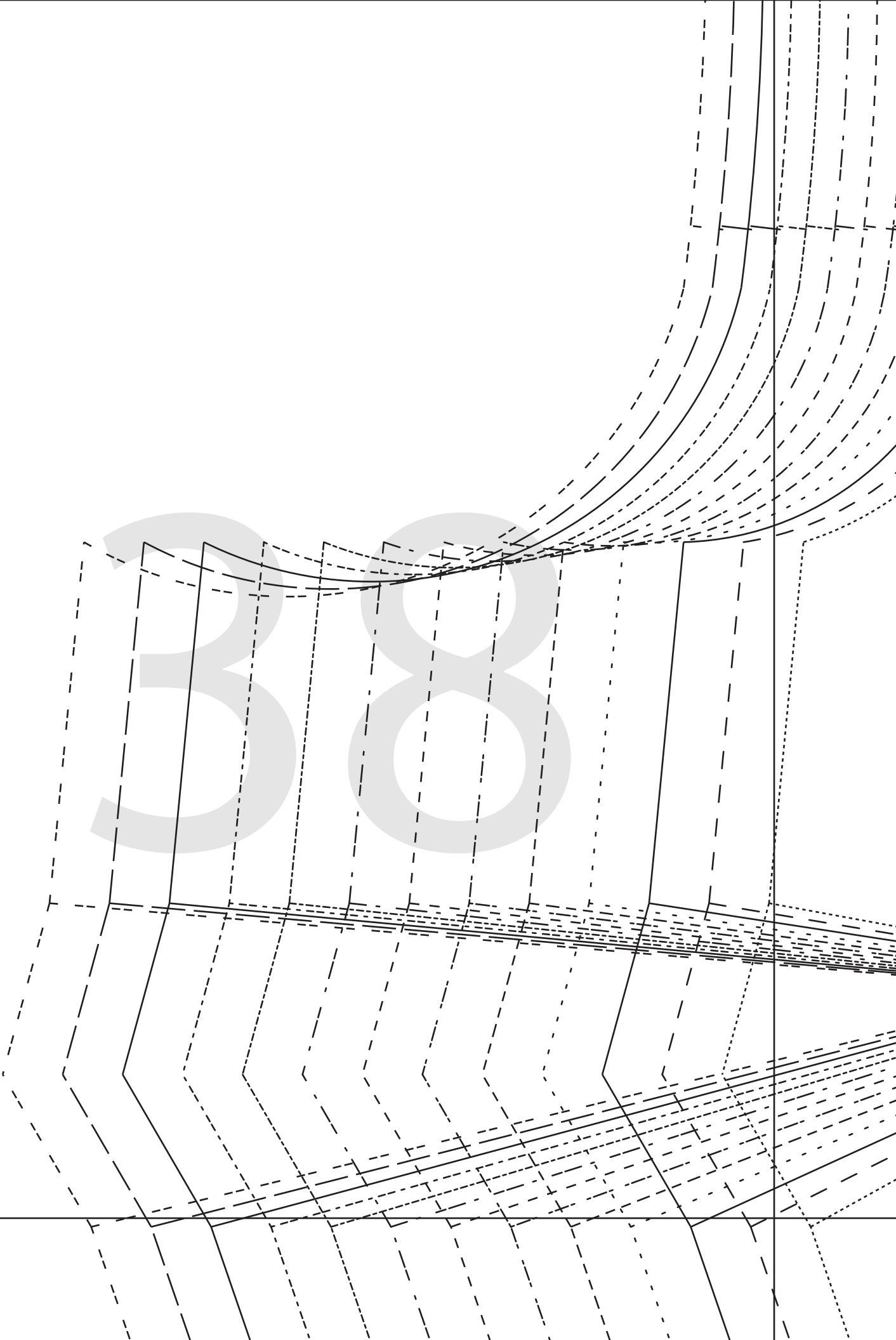


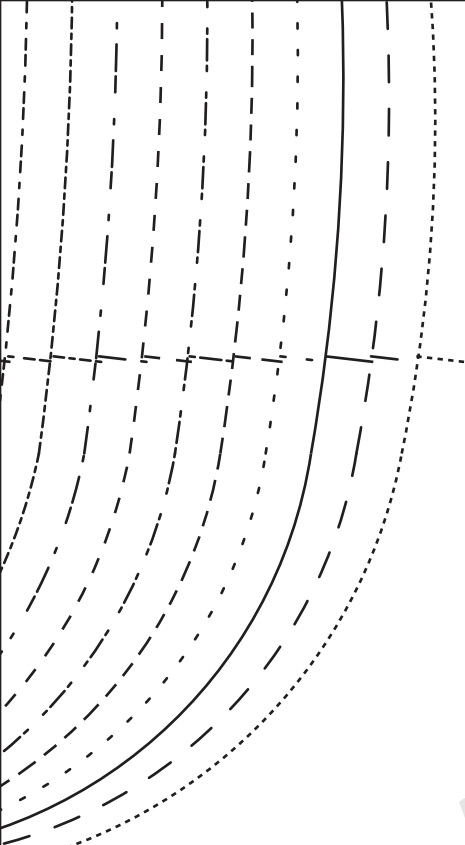
35

36

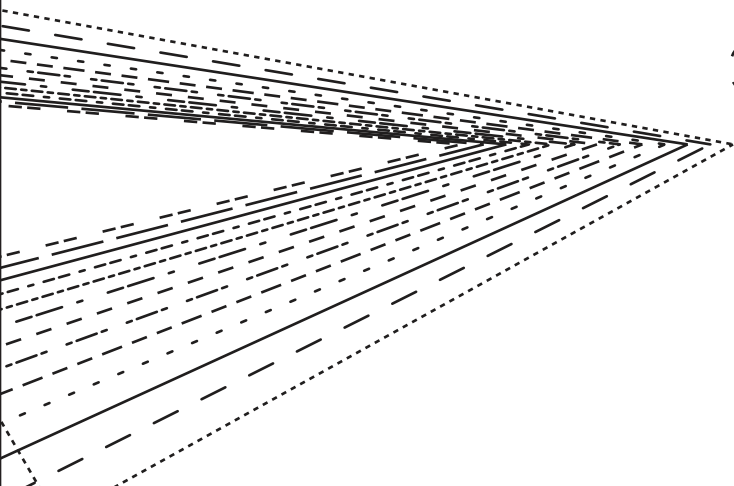
37

38





39





NOVA TWIST DRESS

#0324

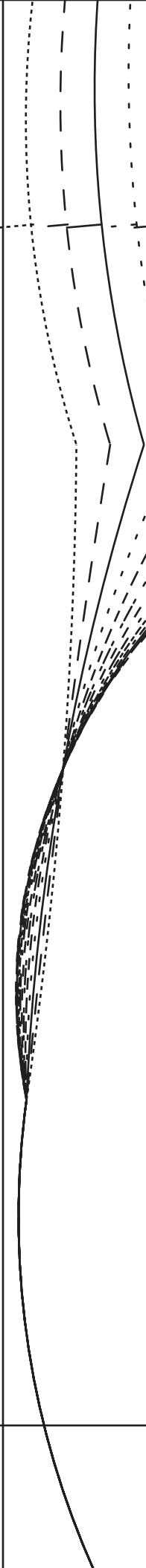
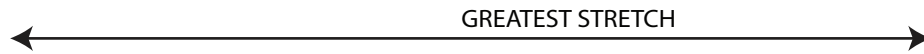
9

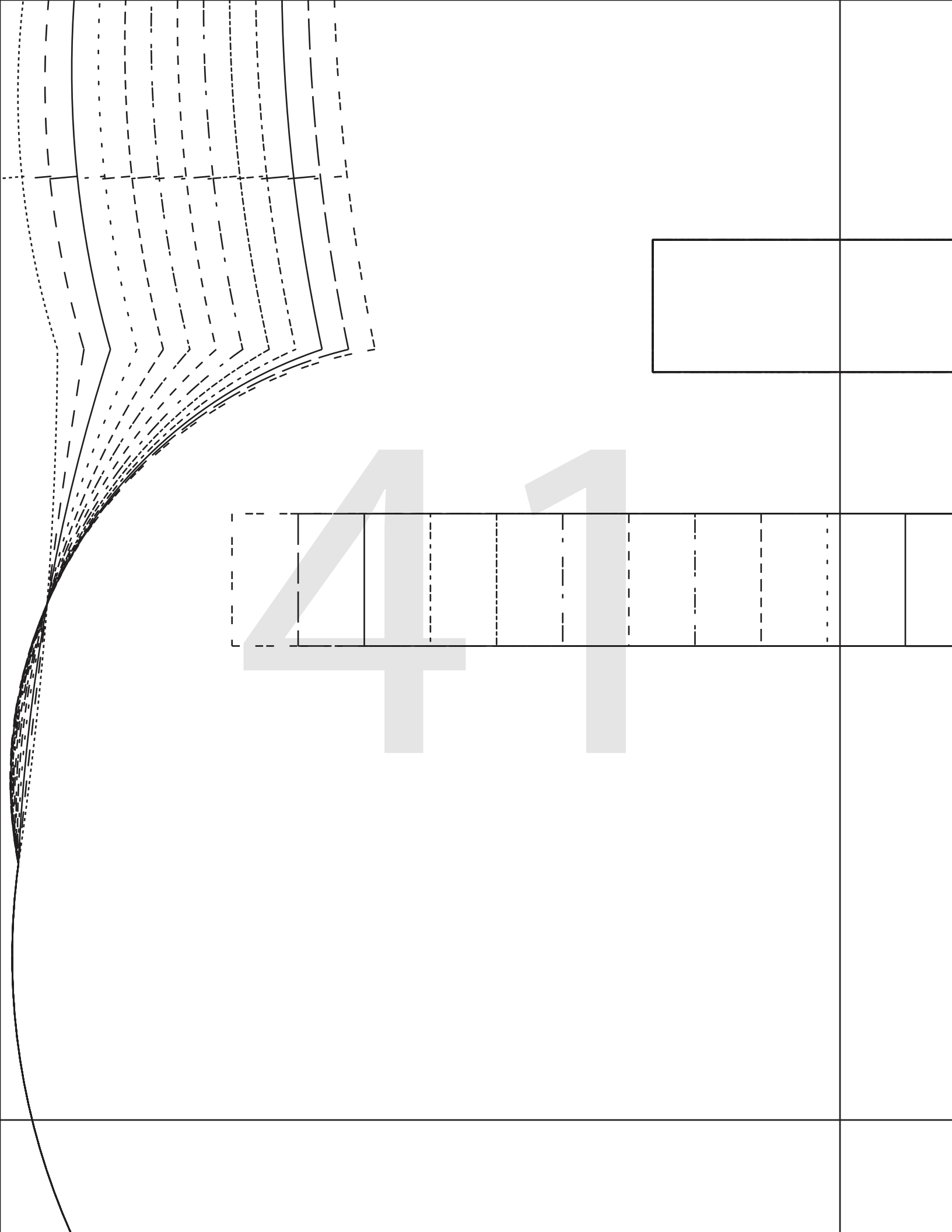
FRONT - DD CUP

CUT 1

CUT THIS WAY UP

(6mms (1/4") seam allowance unless otherwise stated)





GREATEST STRETCH



NO

42

GREATEST STRETCH





NOVA TWIST DRESS

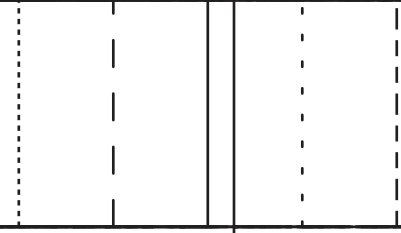
#0324

6

NECK BIND

CUT 1

(6mms (1/4") seam allowance unless otherwise stated)



NOVA TWIST TOP

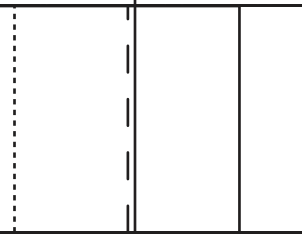
#0324

7

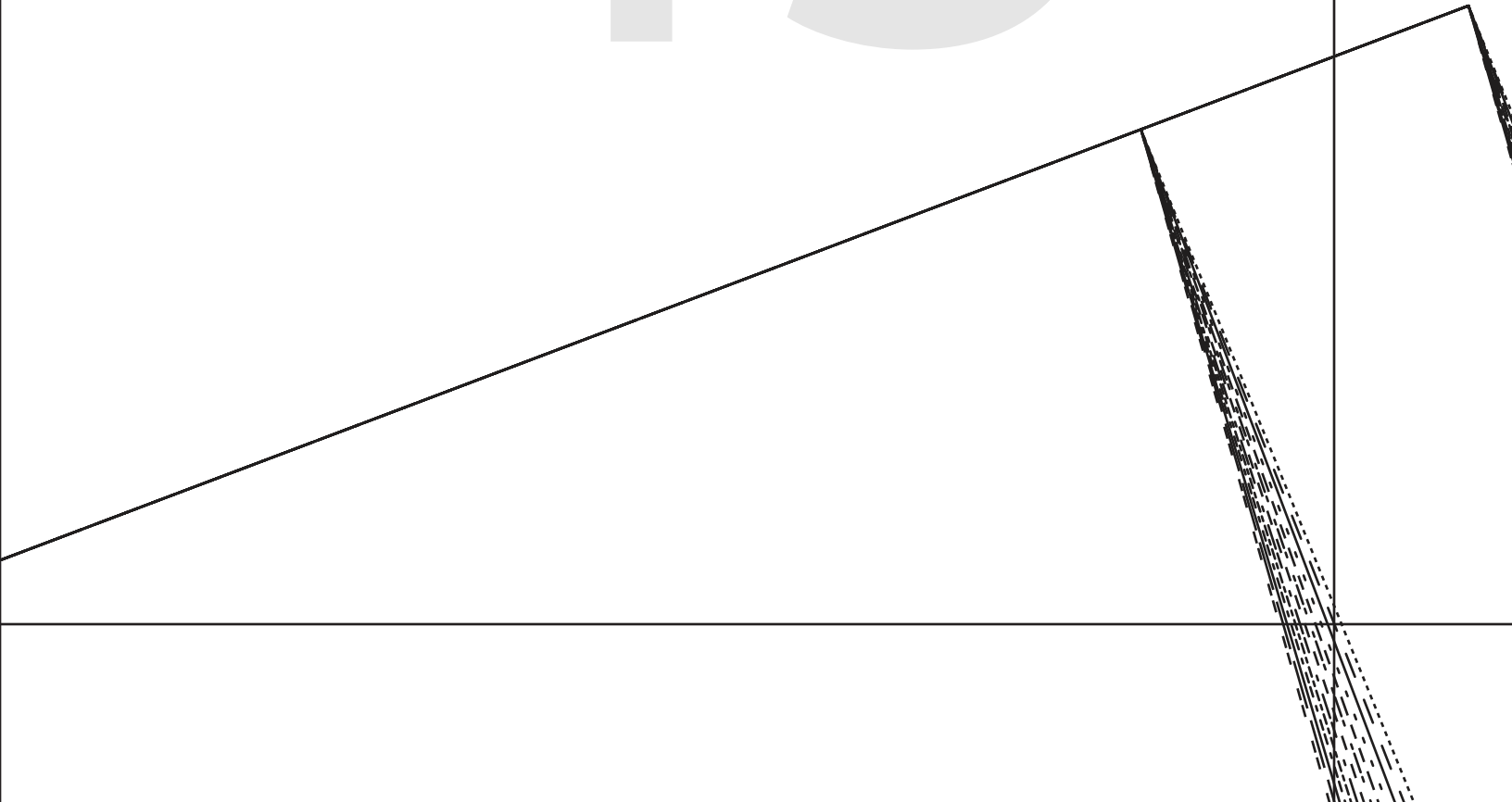
ARMHOLE BIND

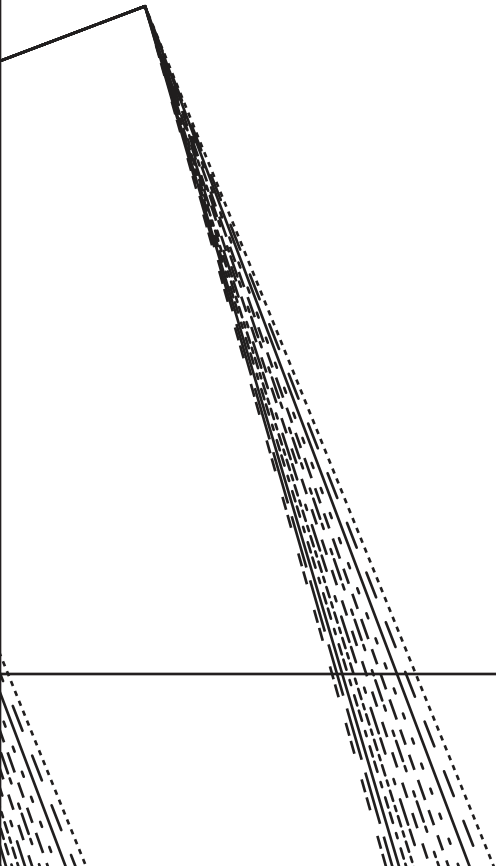
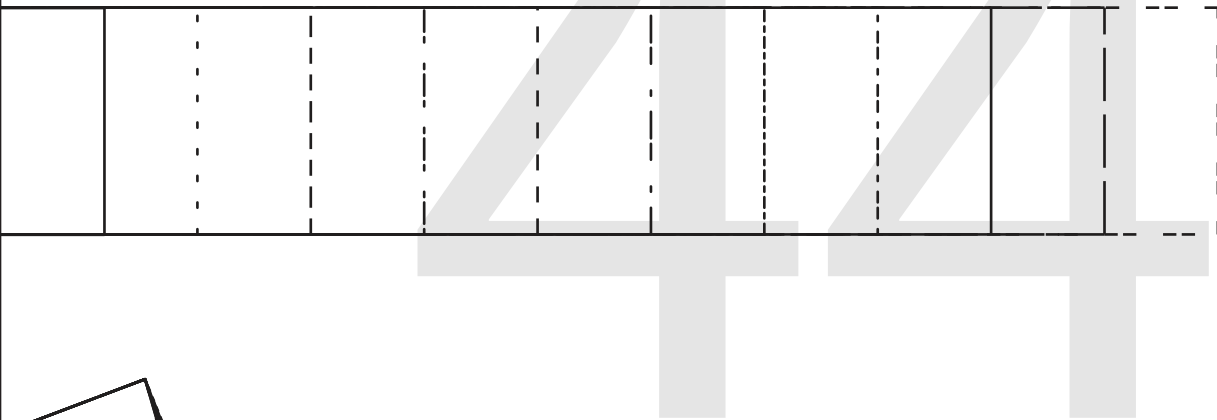
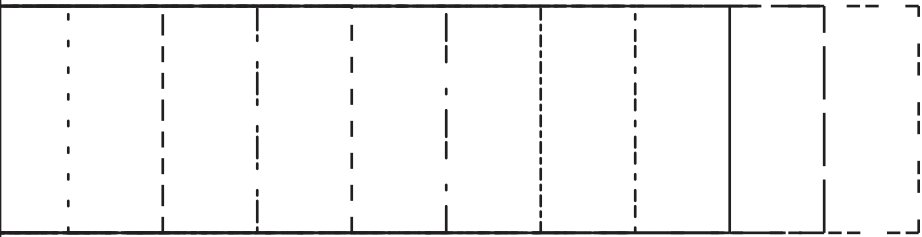
CUT 2

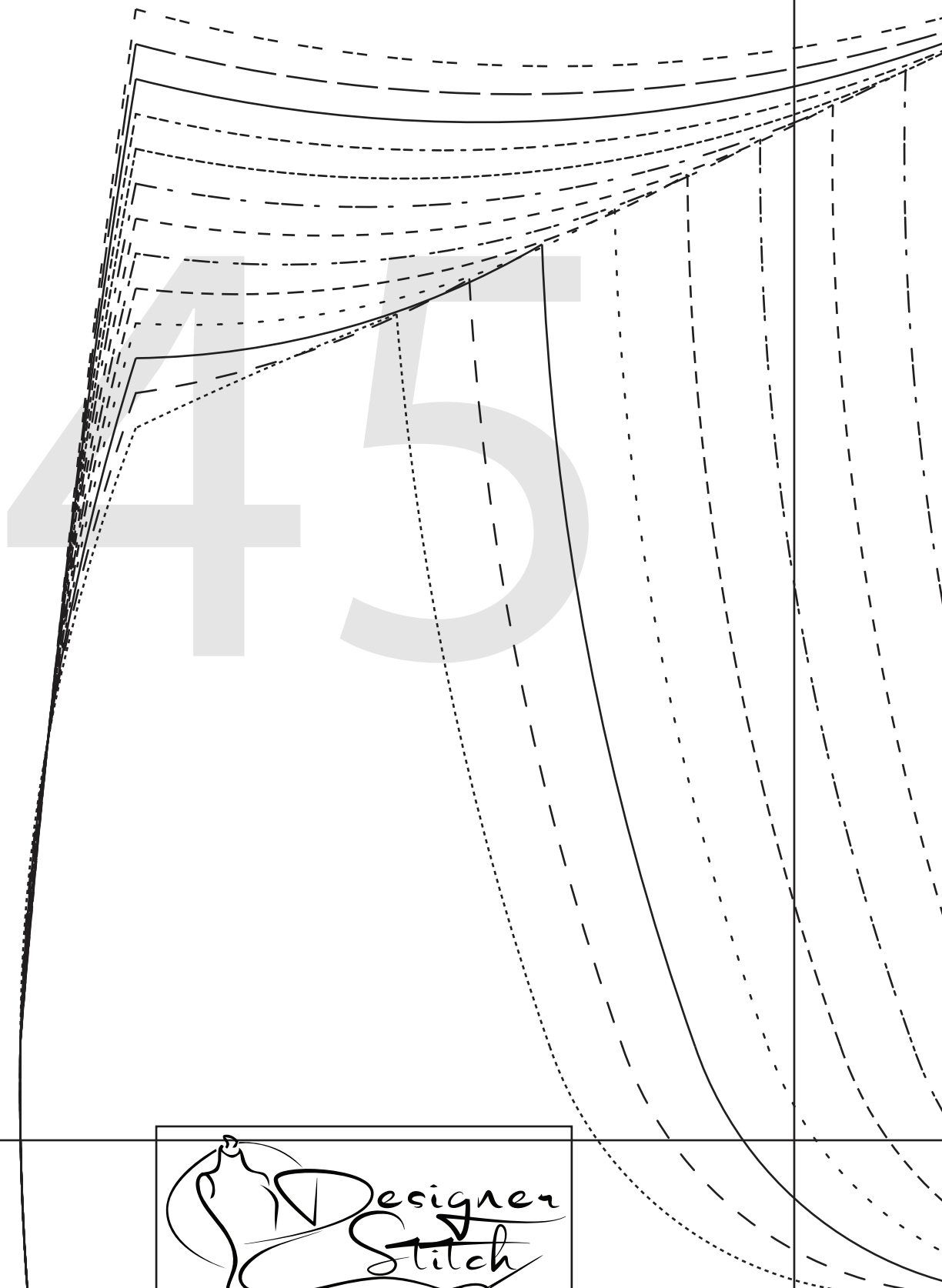
(6mms (1/4") seam allowance unless otherwise stated)



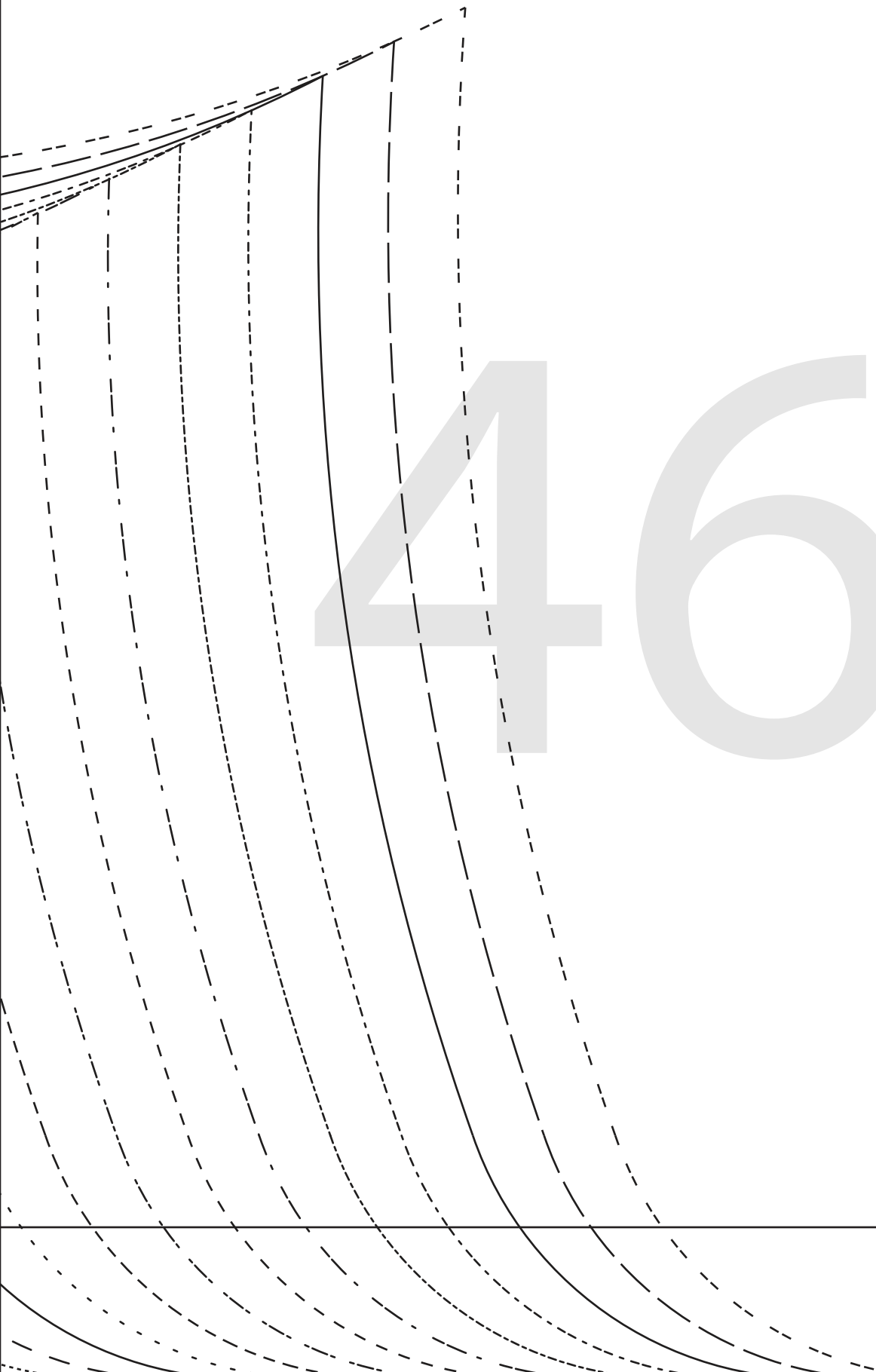
43



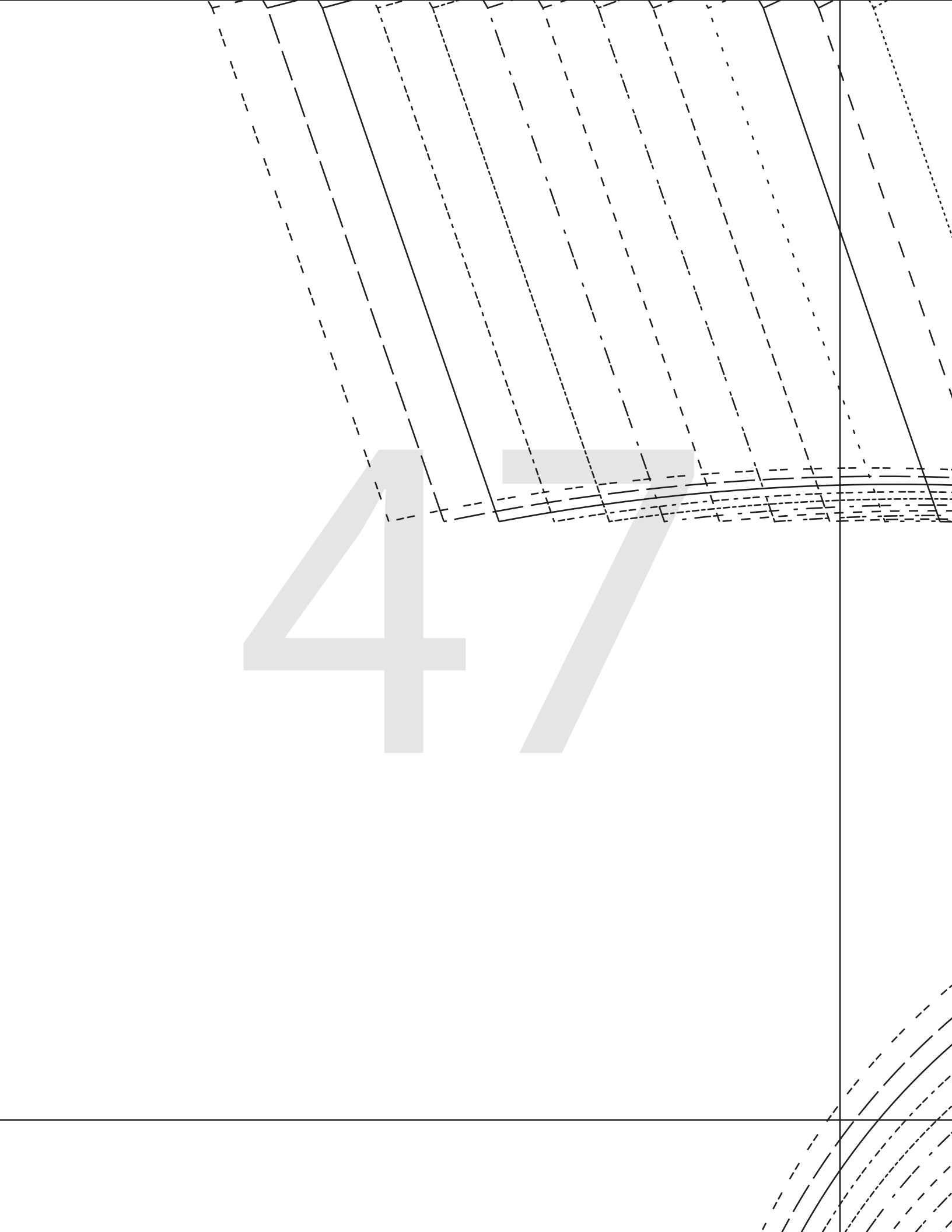


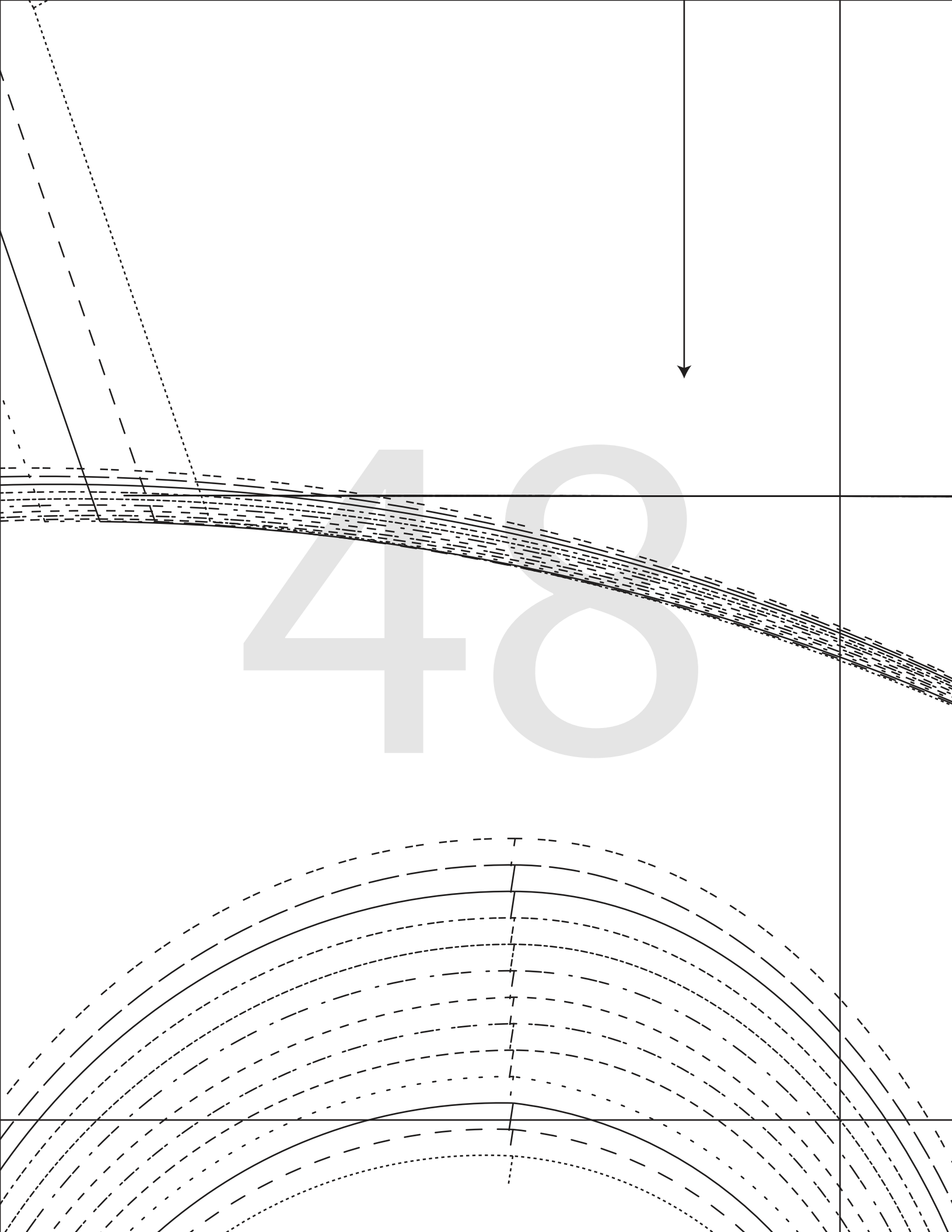


46



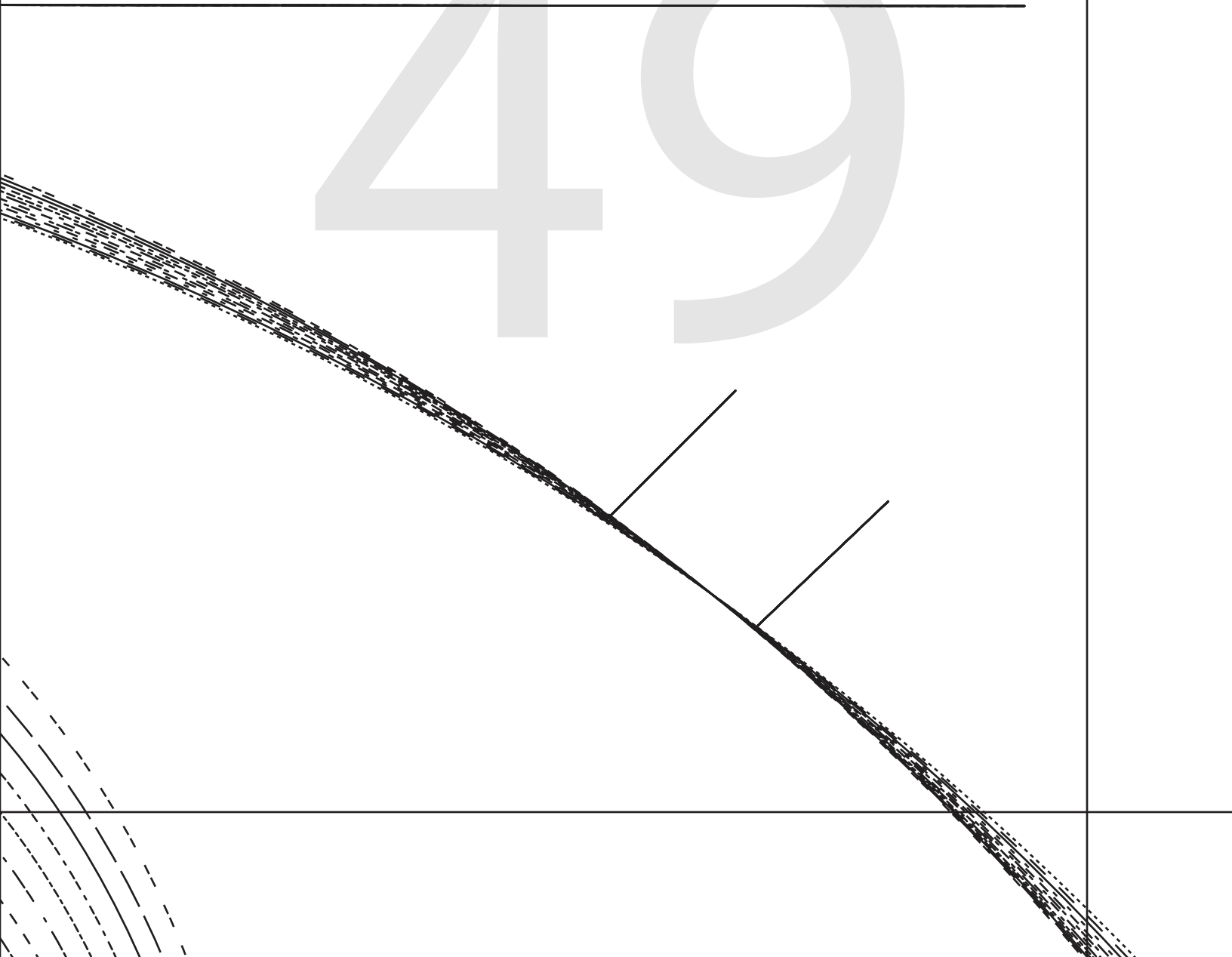
47





49

WAISTLINE



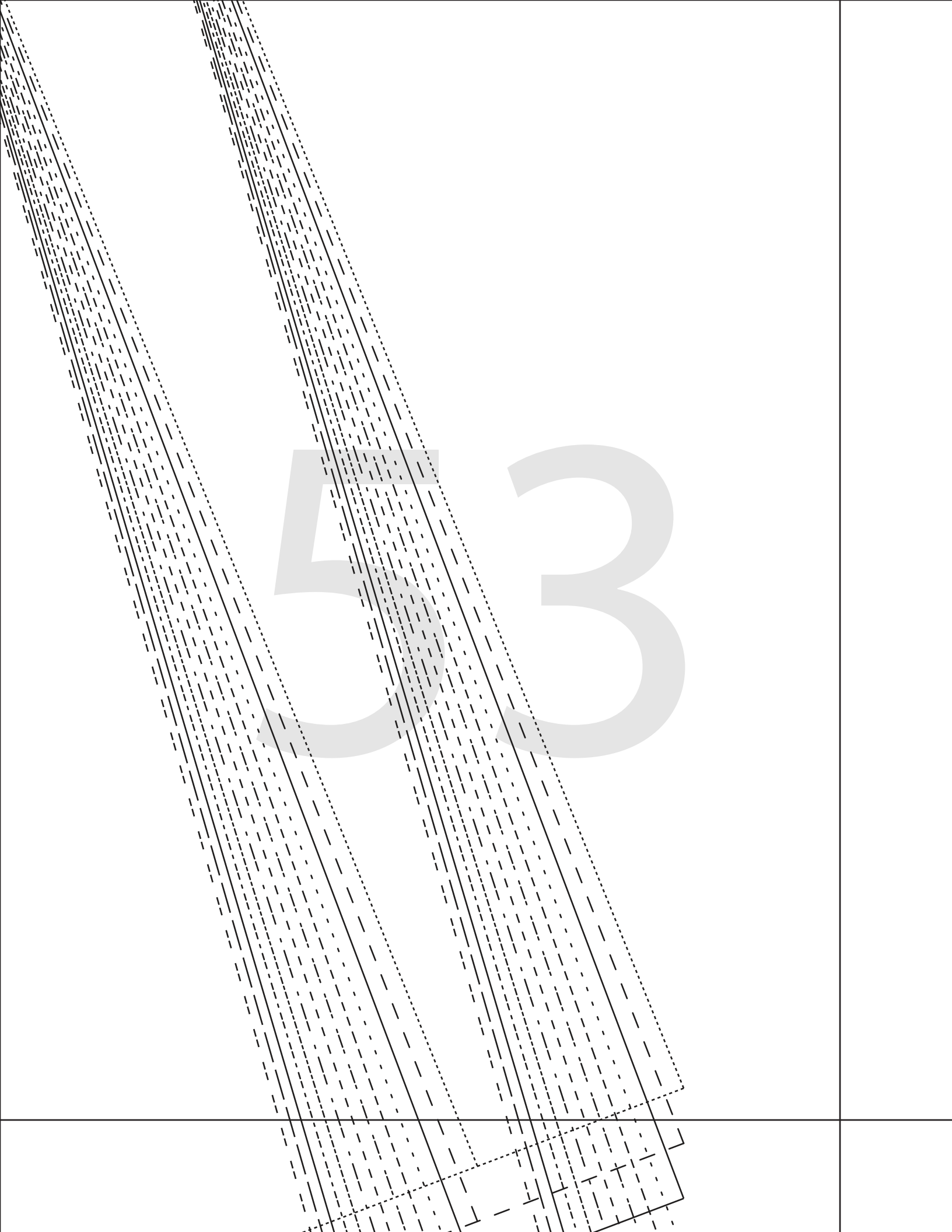


50

51

52

53





NOVA TWIST DRESS

#0324

10

SIDE FRONT - DD CUP

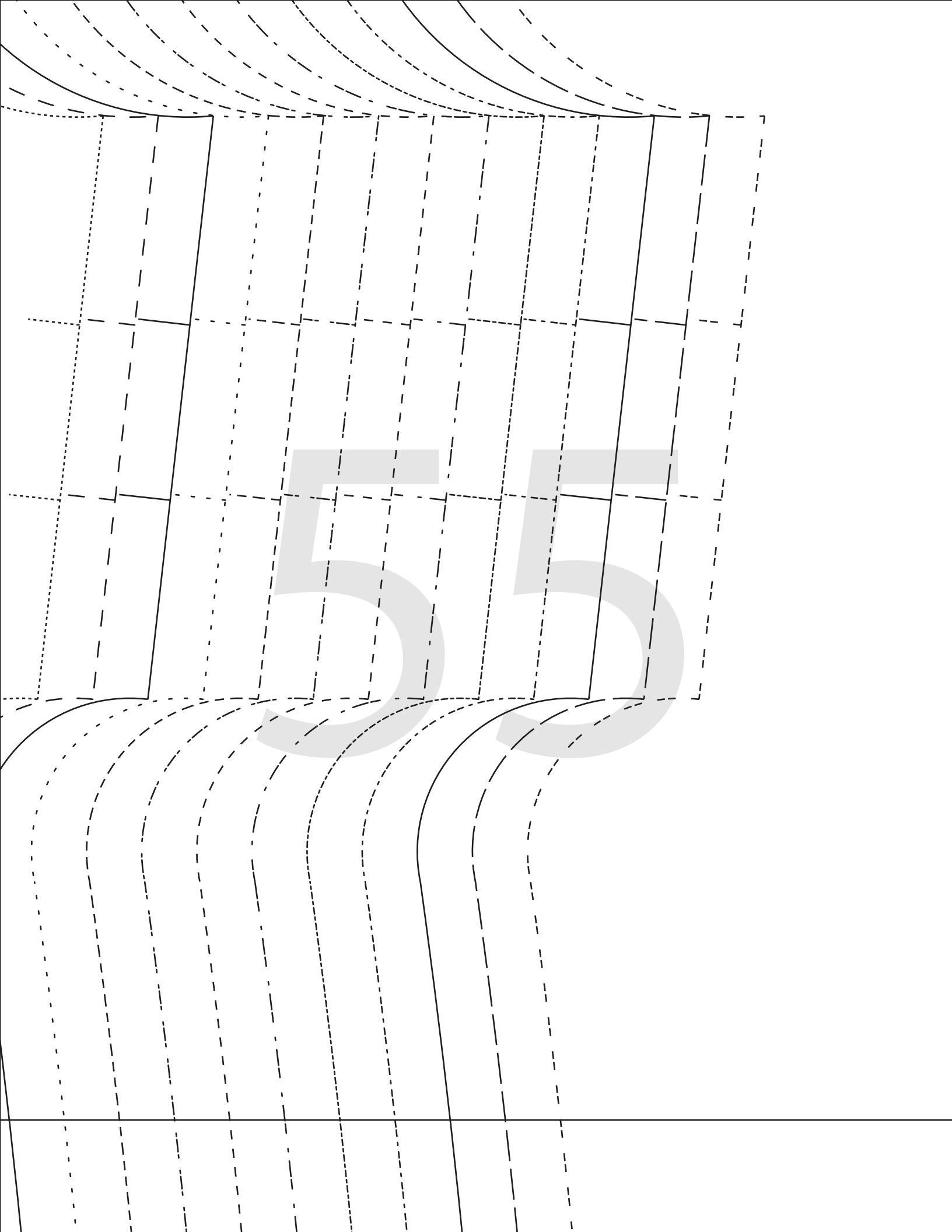
CUT 1

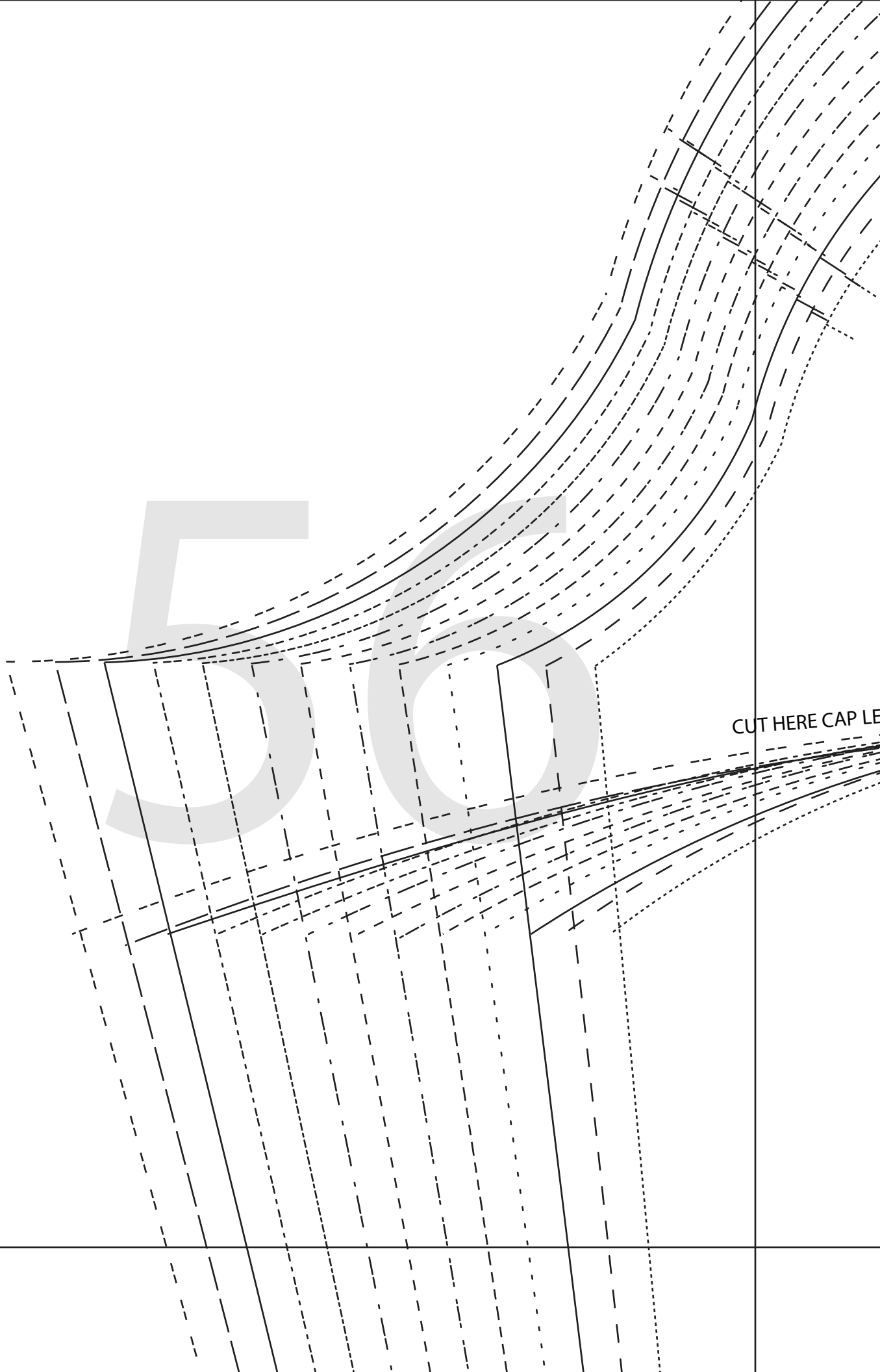
CUT THIS WAY UP

(6mms (1/4") seam allowance unless otherwise stated)

54







CUT HERE CAP LE

HERE CAP LENGTH. HEM ALLOWANCE 1.2 cms (1/2")

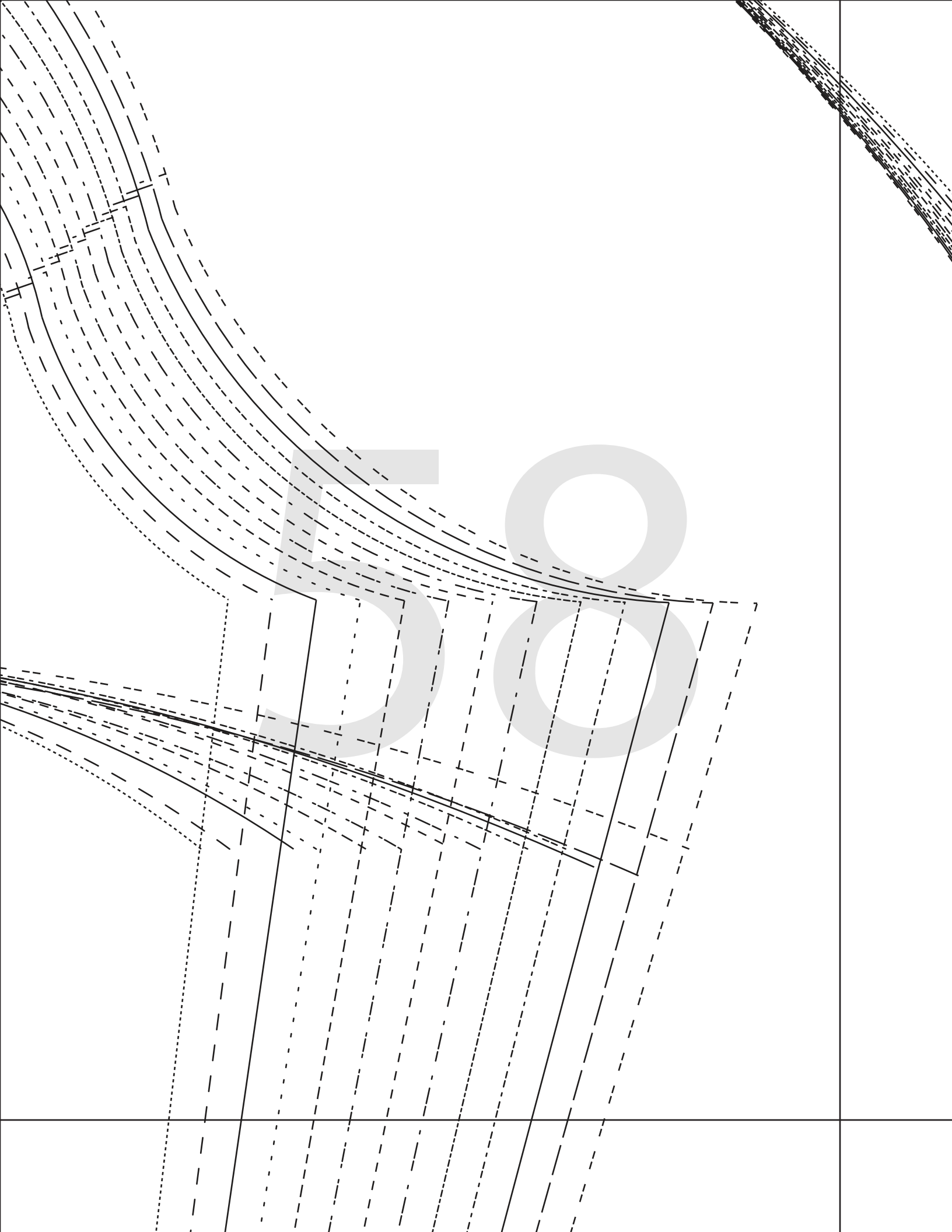


NOVA TWIST DRESS

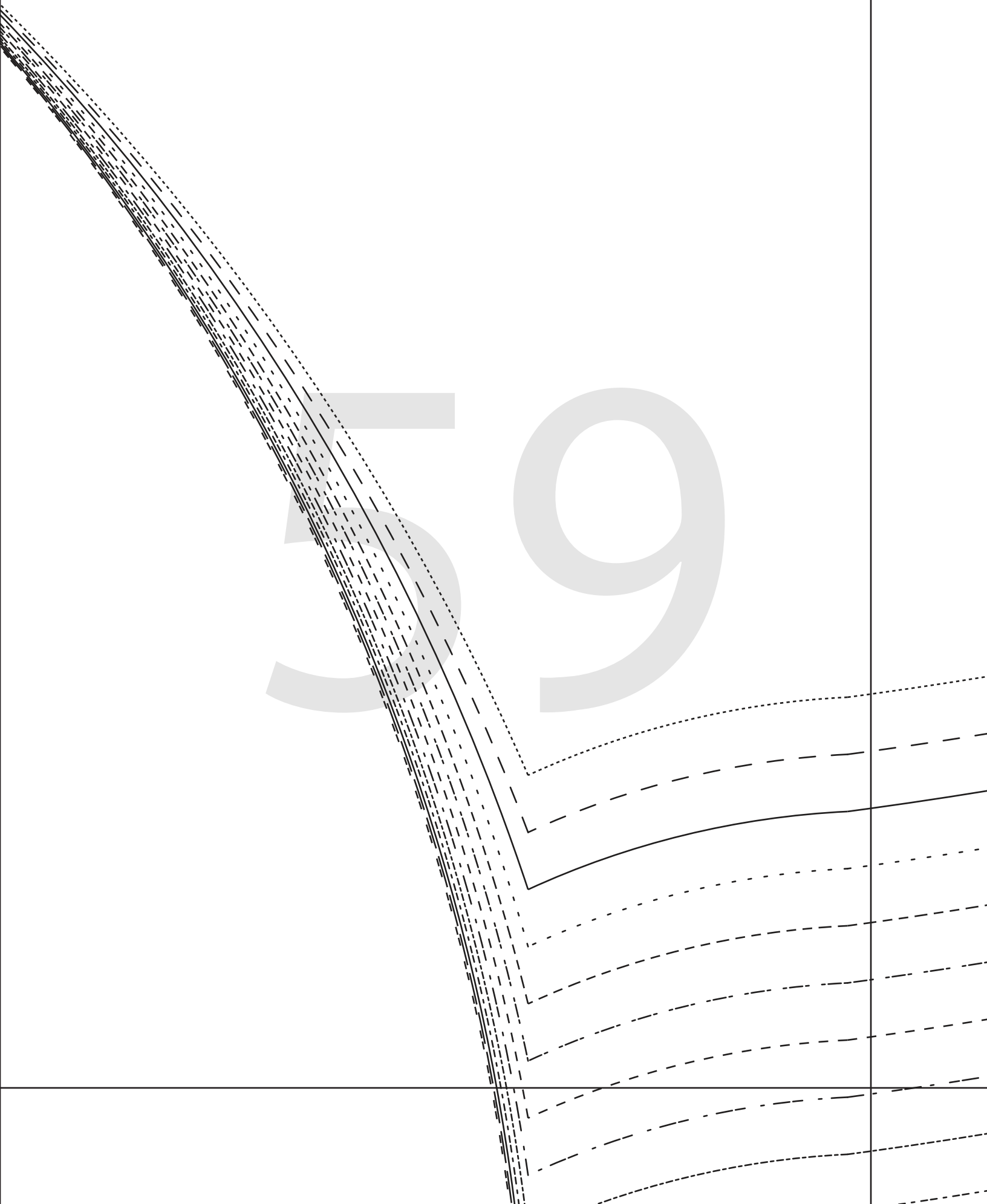
#0324

4

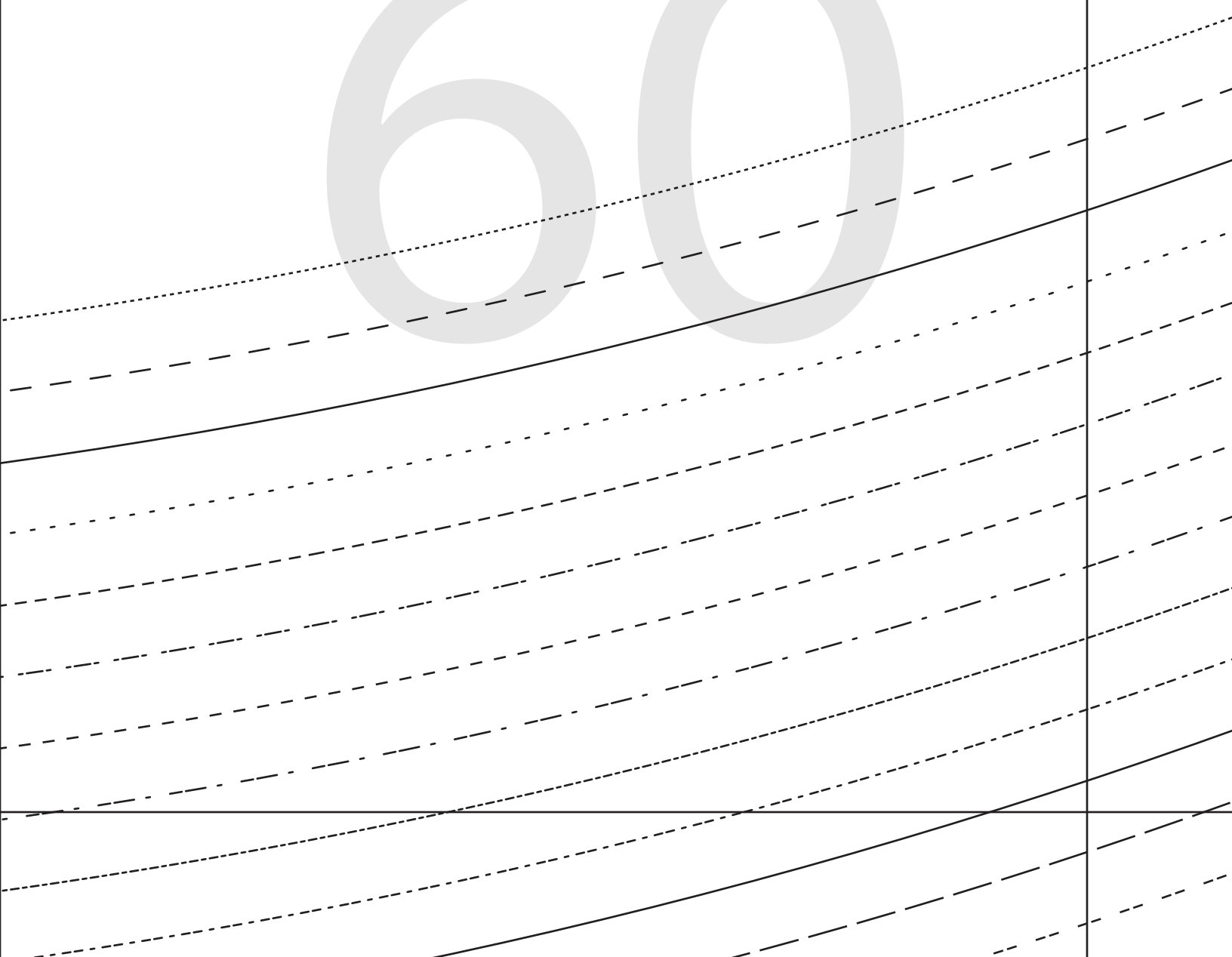
SLEEVE



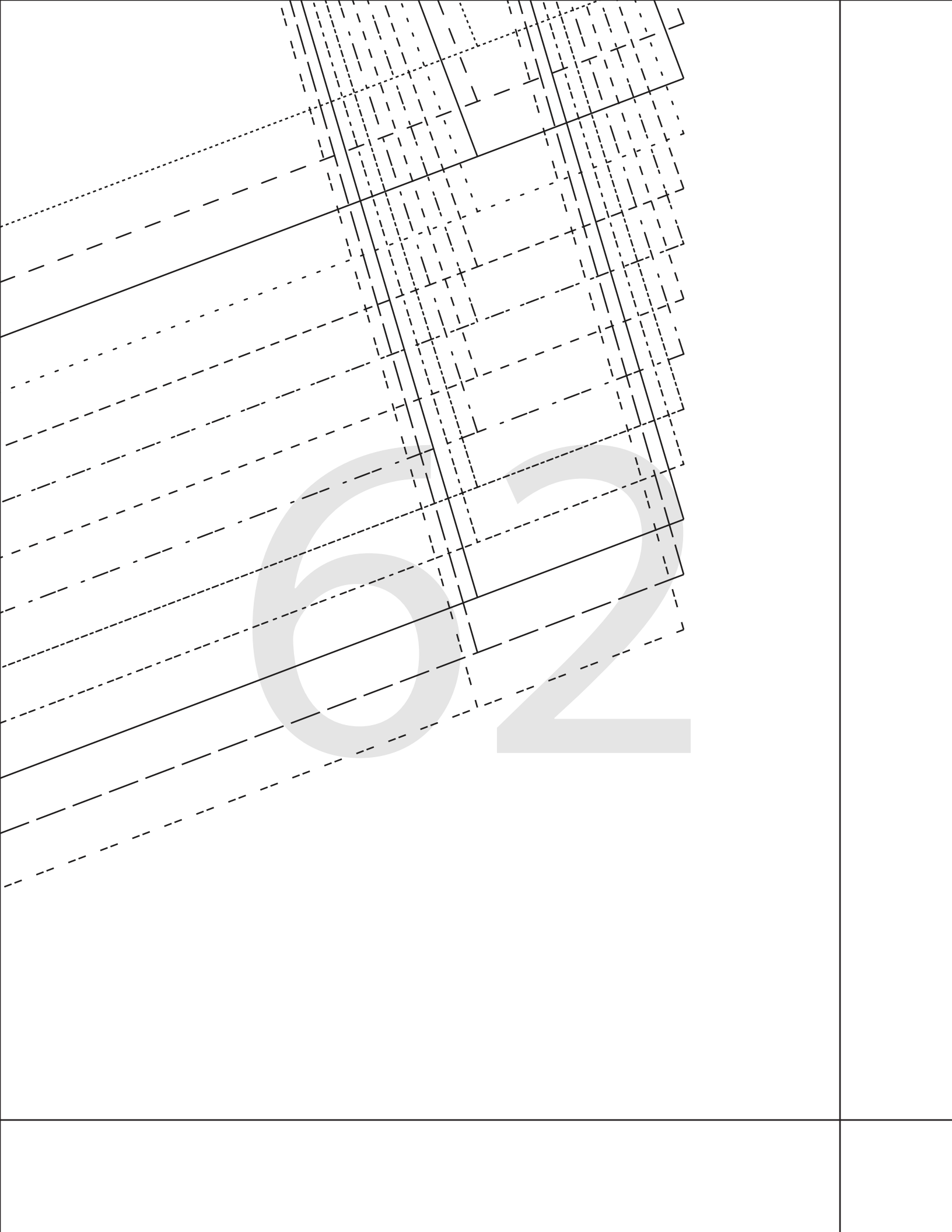
59



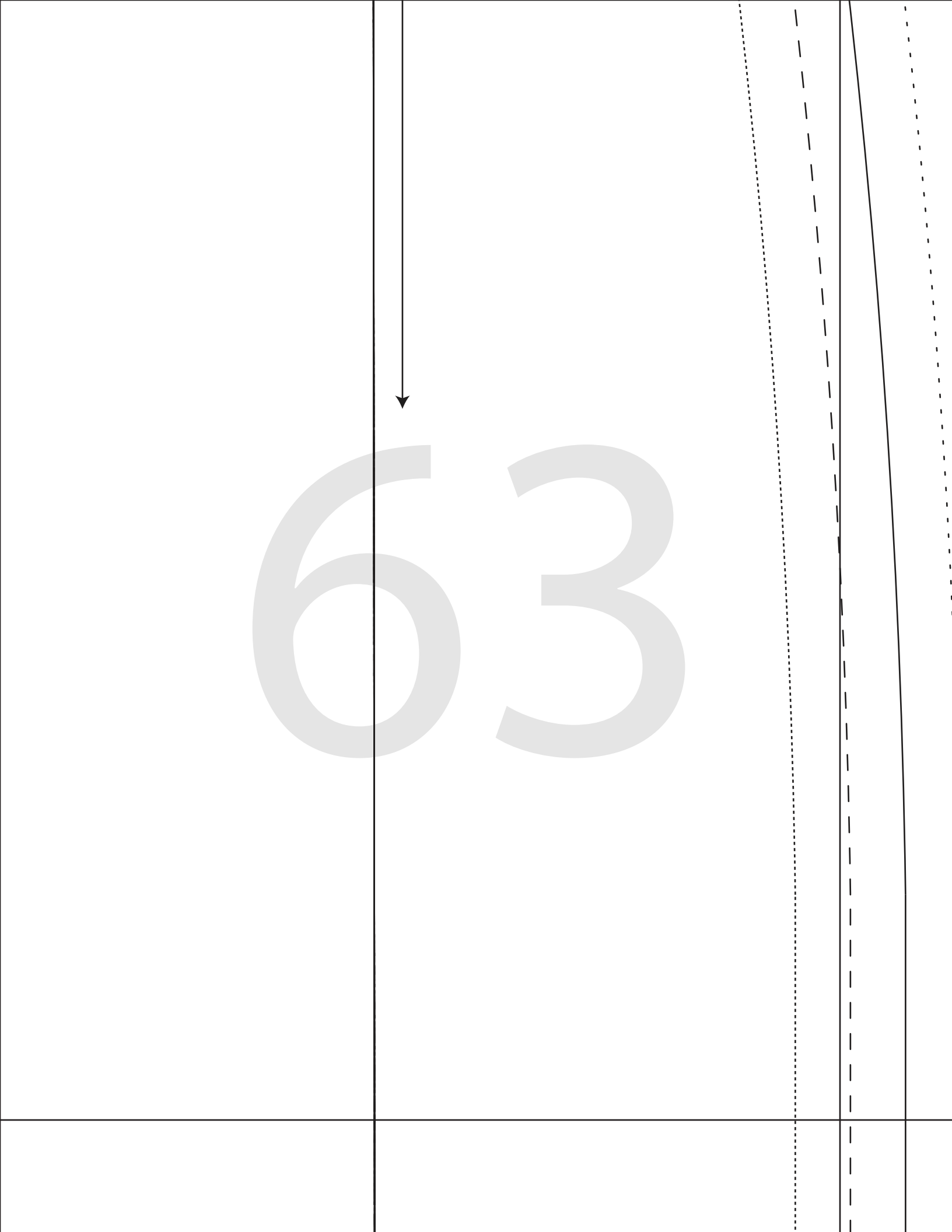
60



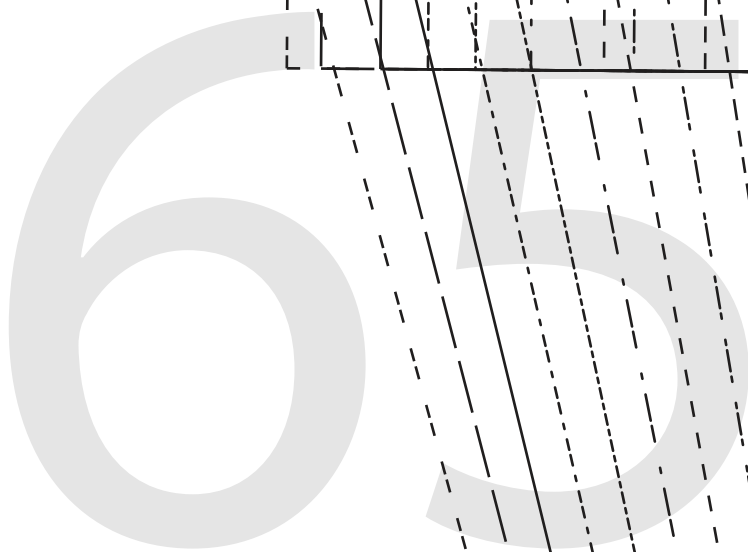
61



63



64



CUT HERE ELBOW L

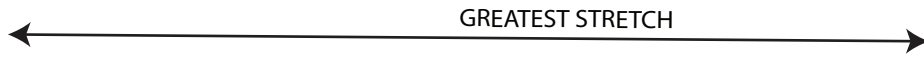
CUT HERE 3/4

4

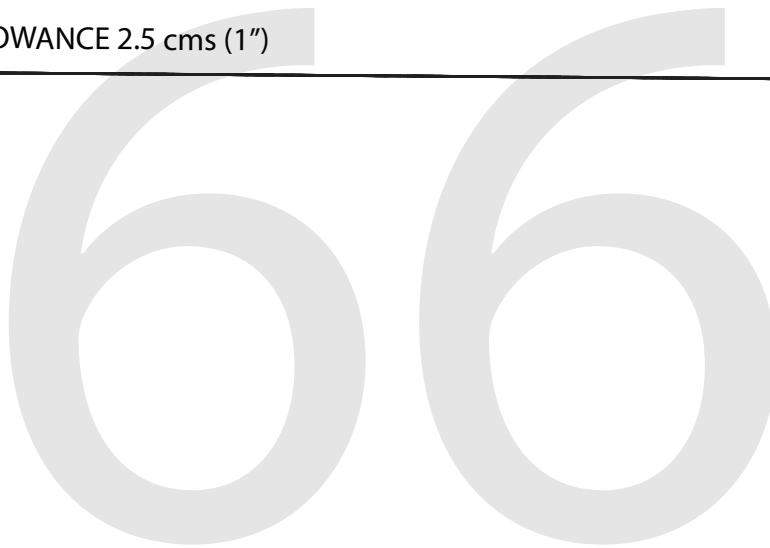
SLEEVE

CUT 2

(6mms (1/4") seam allowance unless otherwise stated)

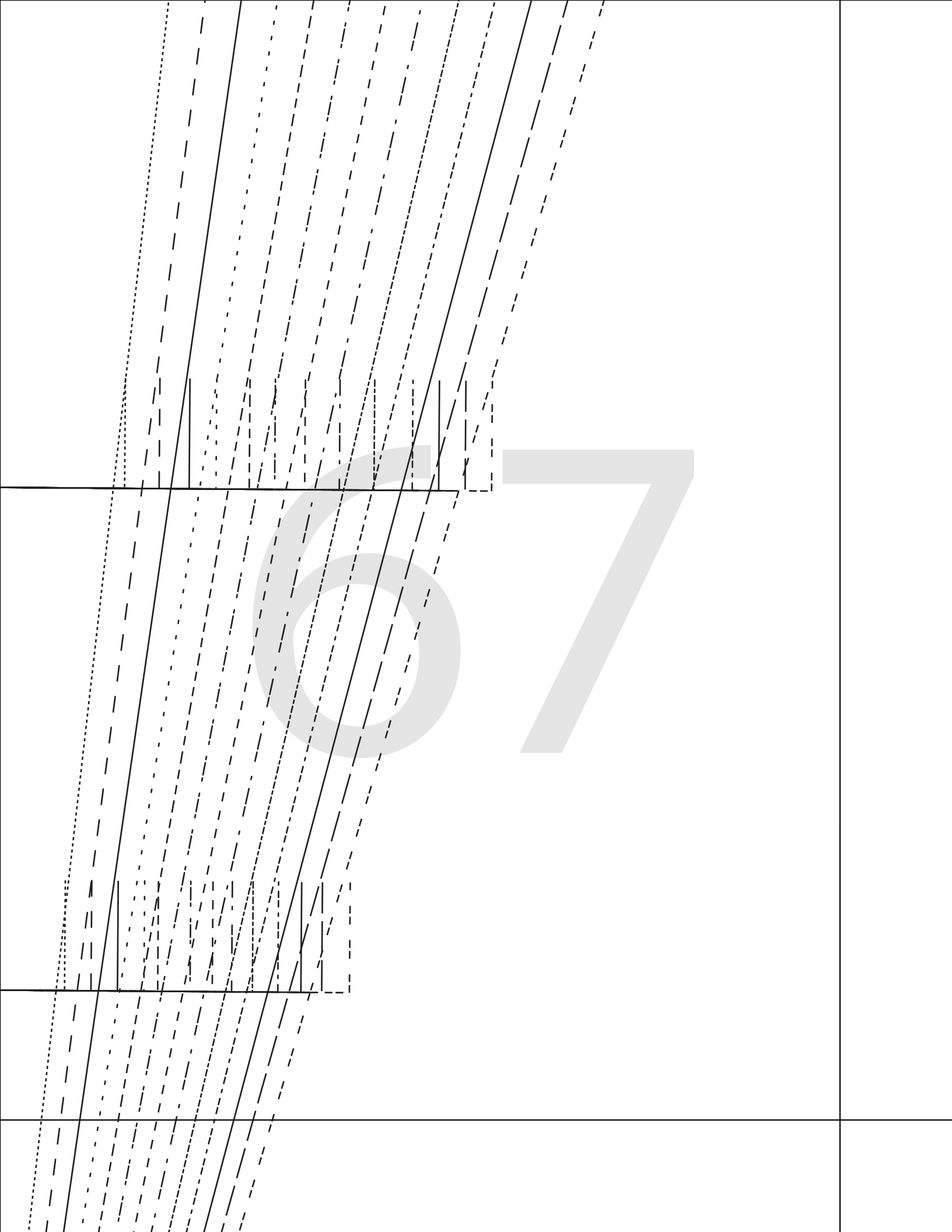


CUT HERE ELBOW LENGTH. HEM ALLOWANCE 2.5 cms (1")

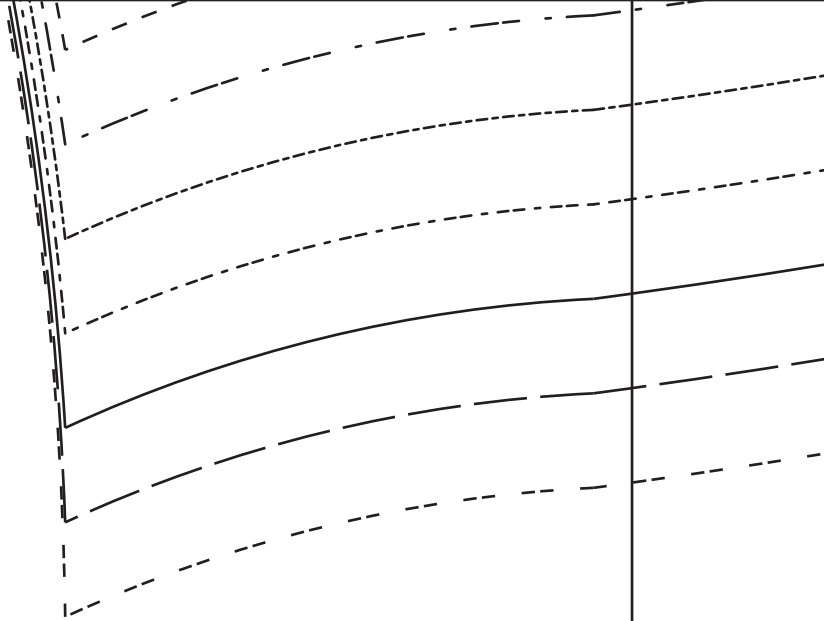


CUT HERE 3/4'S LENGTH. HEM ALLOWANCE 2.5 cms (1")





68



69

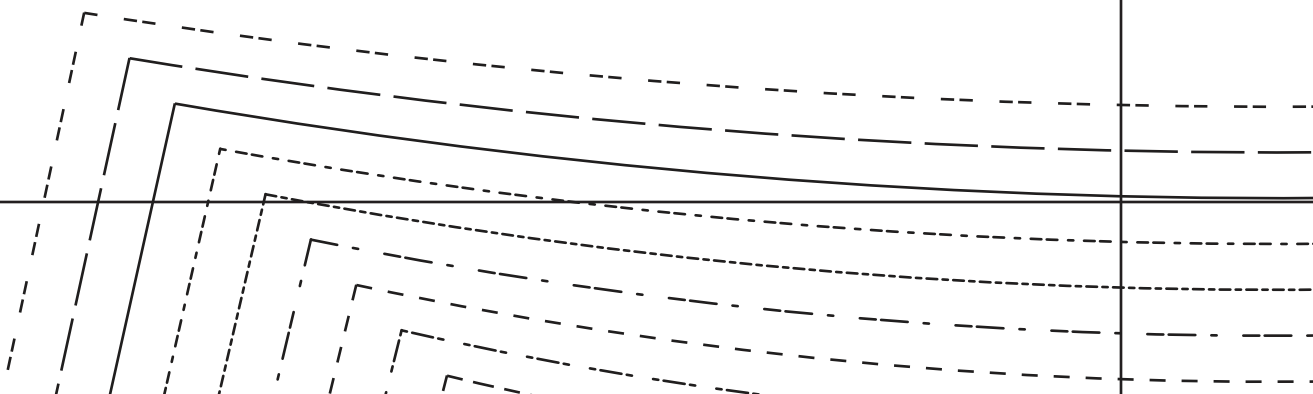
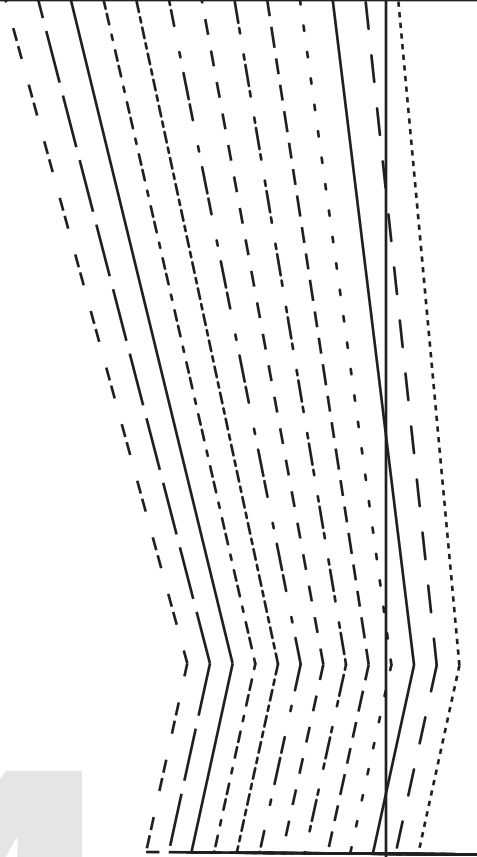
70

71

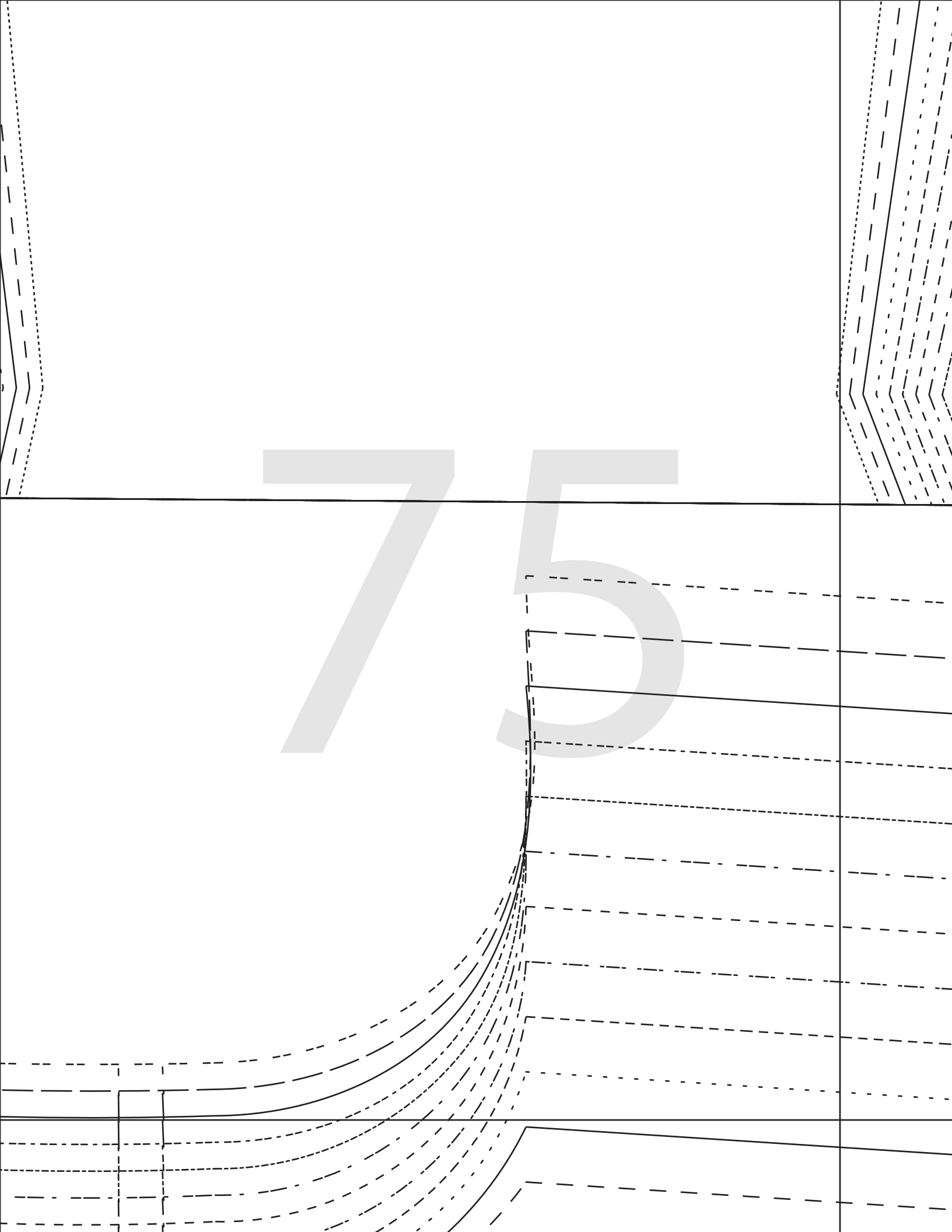
72

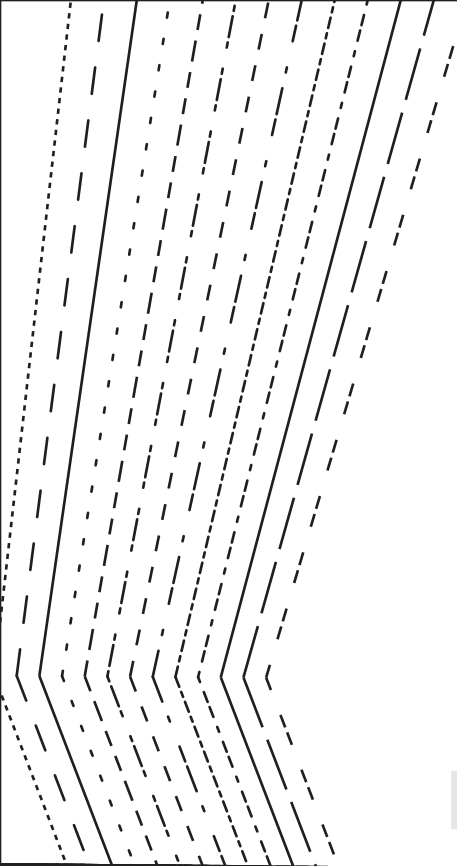
73

74

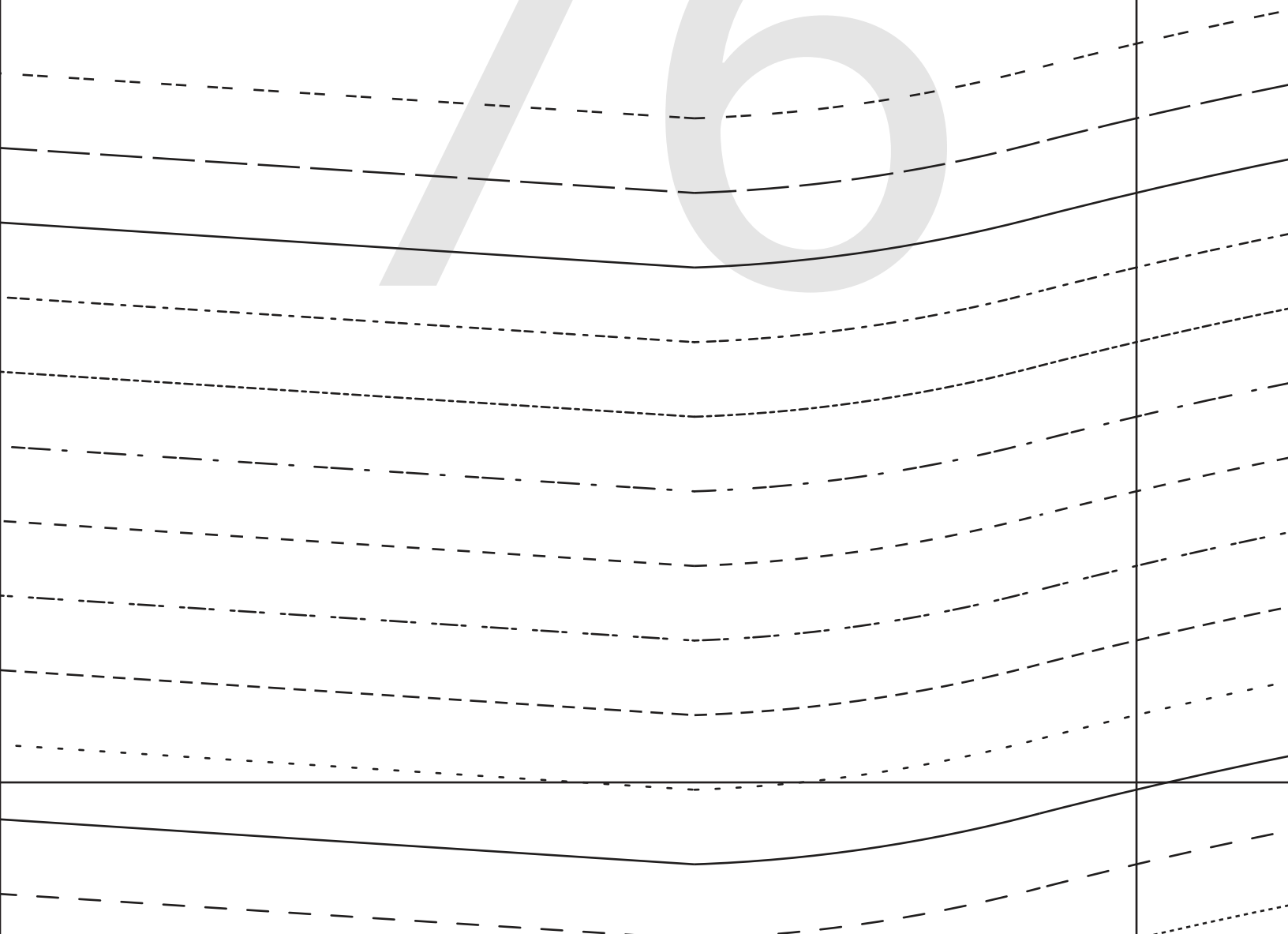


75

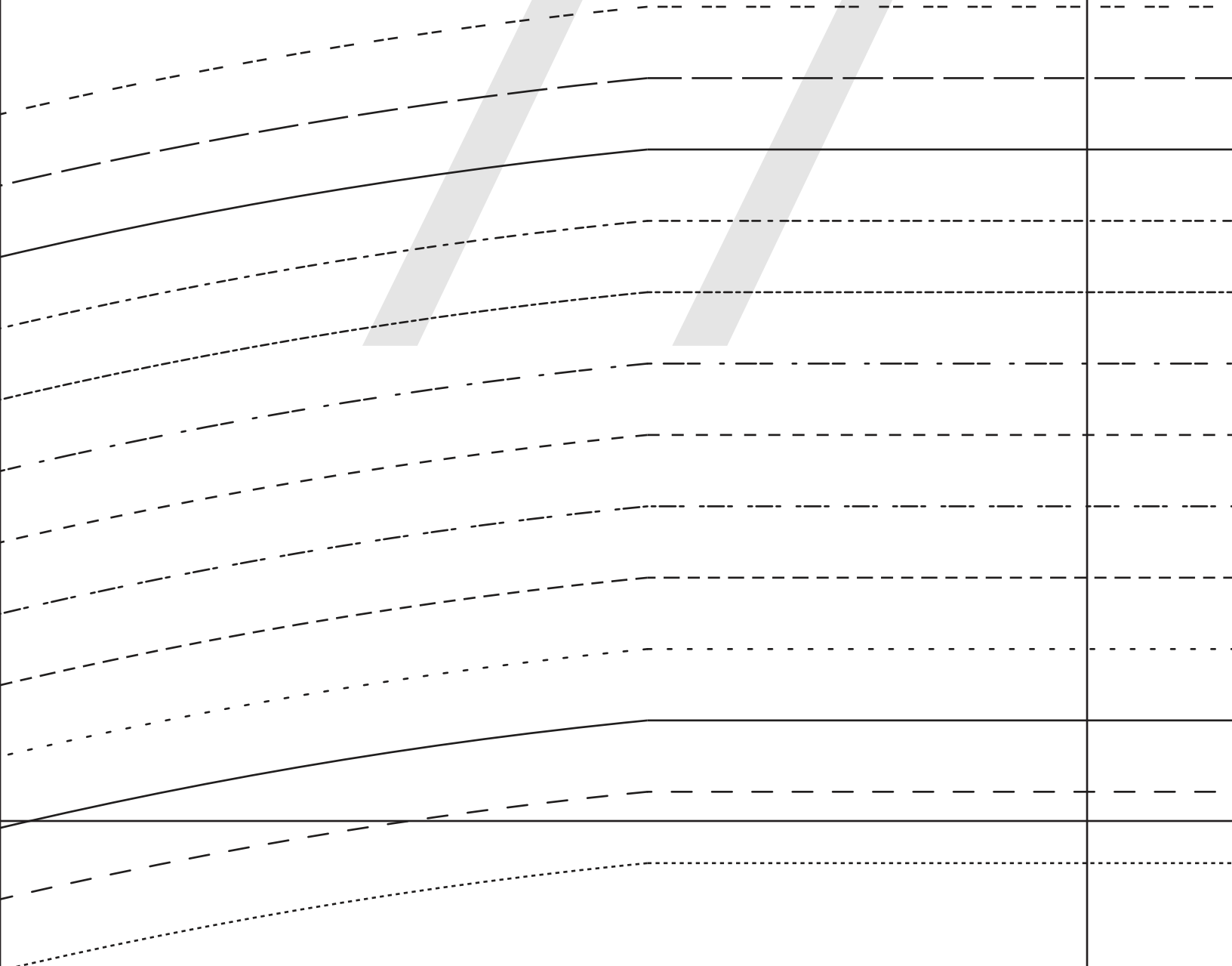




76

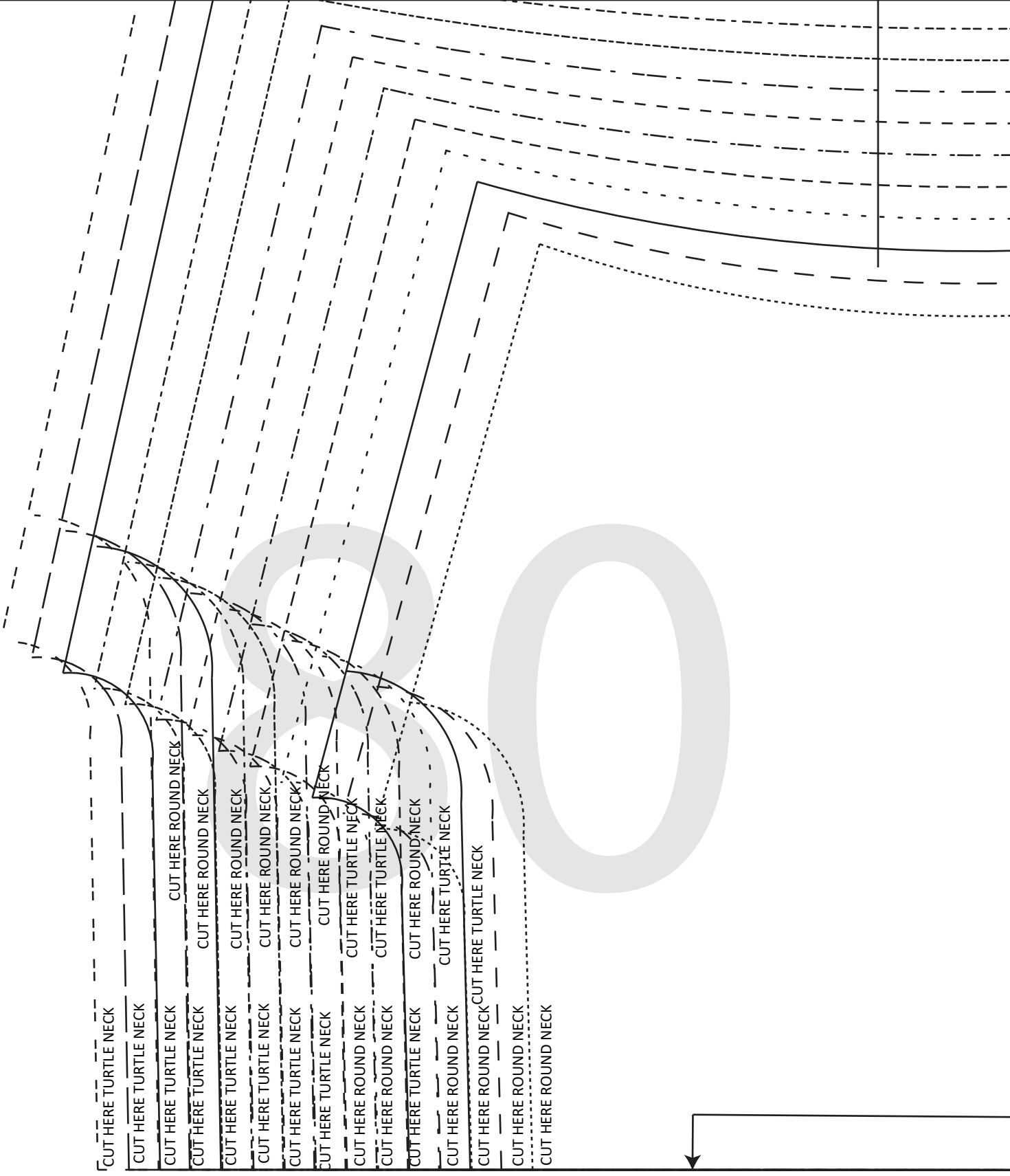


77



78

79



CUT HERE TURTLE NECK

CUT HERE TURTLE NECK

CUT HERE TURTLE NECK

CUT HERE TURTLE NECK

CUT HERE TURTLE NECK

CUT HERE TURTLE NECK

CUT HERE TURTLE NECK

CUT HERE TURTLE NECK

CUT HERE TURTLE NECK

CUT HERE TURTLE NECK

CUT HERE TURTLE NECK

CUT HERE TURTLE NECK

CUT HERE TURTLE NECK

CUT HERE TURTLE NECK

CUT HERE TURTLE NECK

CUT HERE TURTLE NECK

CUT HERE TURTLE NECK

CUT HERE ROUND NECK

CUT HERE ROUND NECK

CUT HERE ROUND NECK

CUT HERE ROUND NECK

CUT HERE ROUND NECK

CUT HERE ROUND NECK

CUT HERE ROUND NECK

CUT HERE TURTLE NECK

CUT HERE TURTLE NECK

CUT HERE ROUND NECK

CUT HERE TURTLE NECK

CUT HERE TURTLE NECK

CUT HERE ROUND NECK

CUT HERE ROUND NECK





NOVA TWIST DRESS

#0324

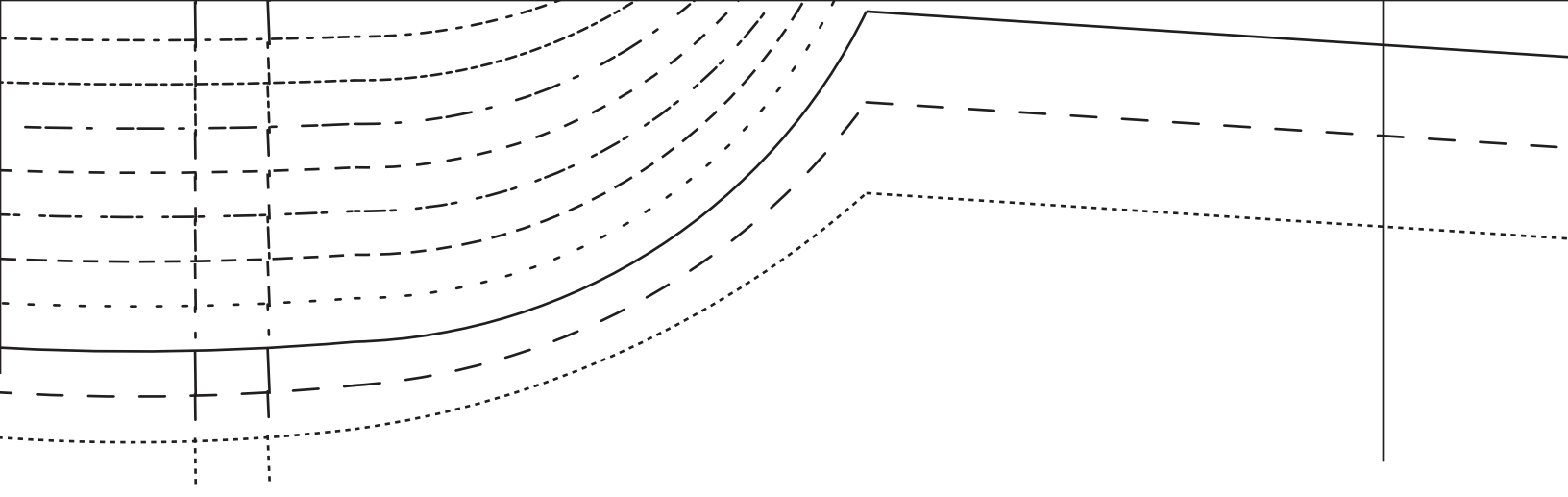
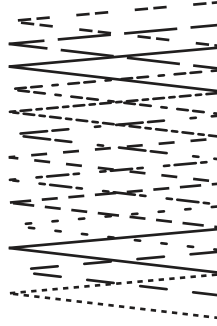
8

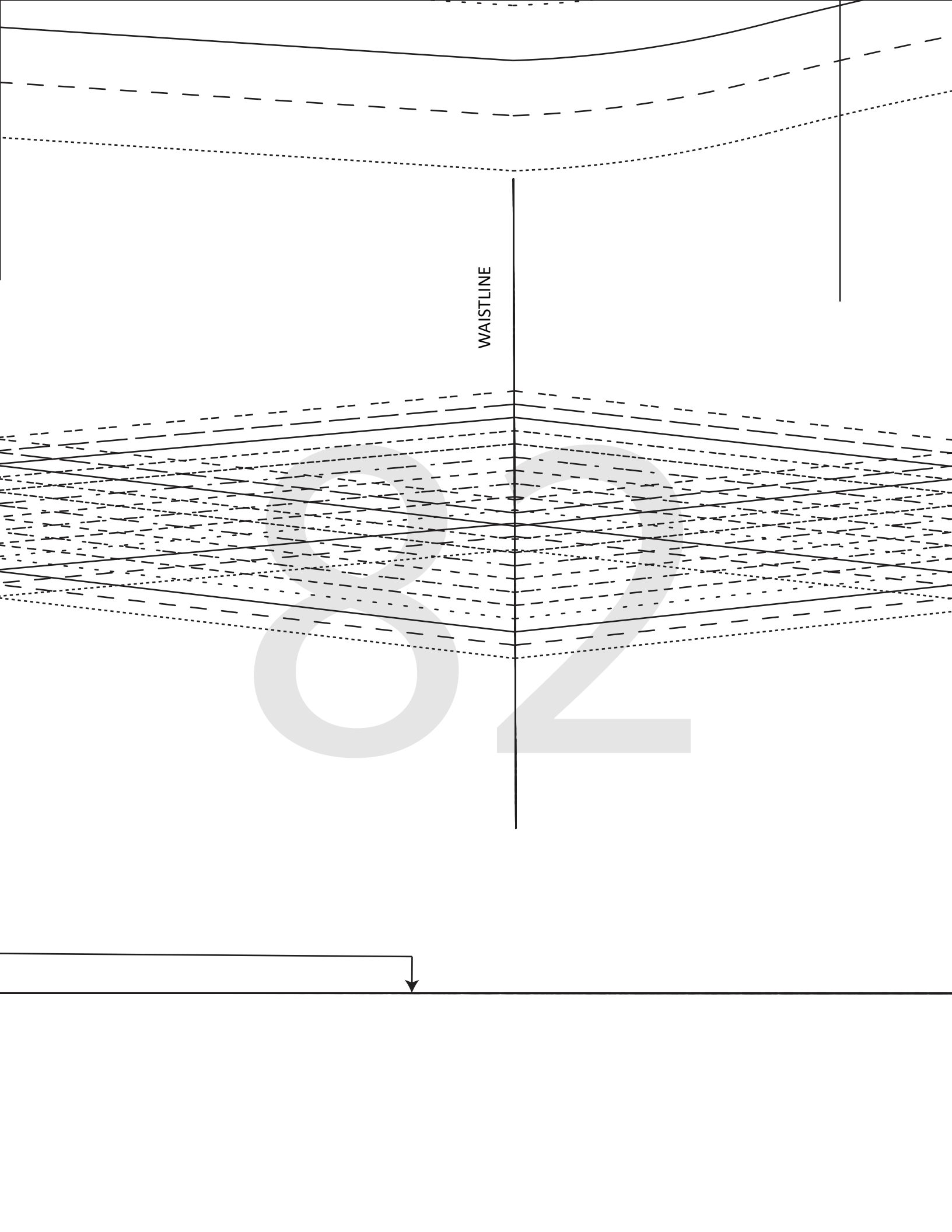
BACK

CUT 1 FOLD

(6mm (1/4") seam allowance unless otherwise stated)

GREATEST STRETCH

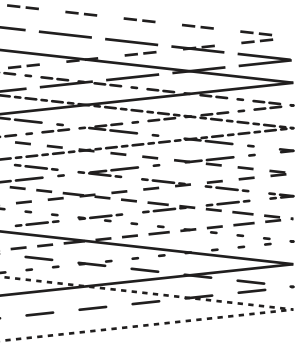
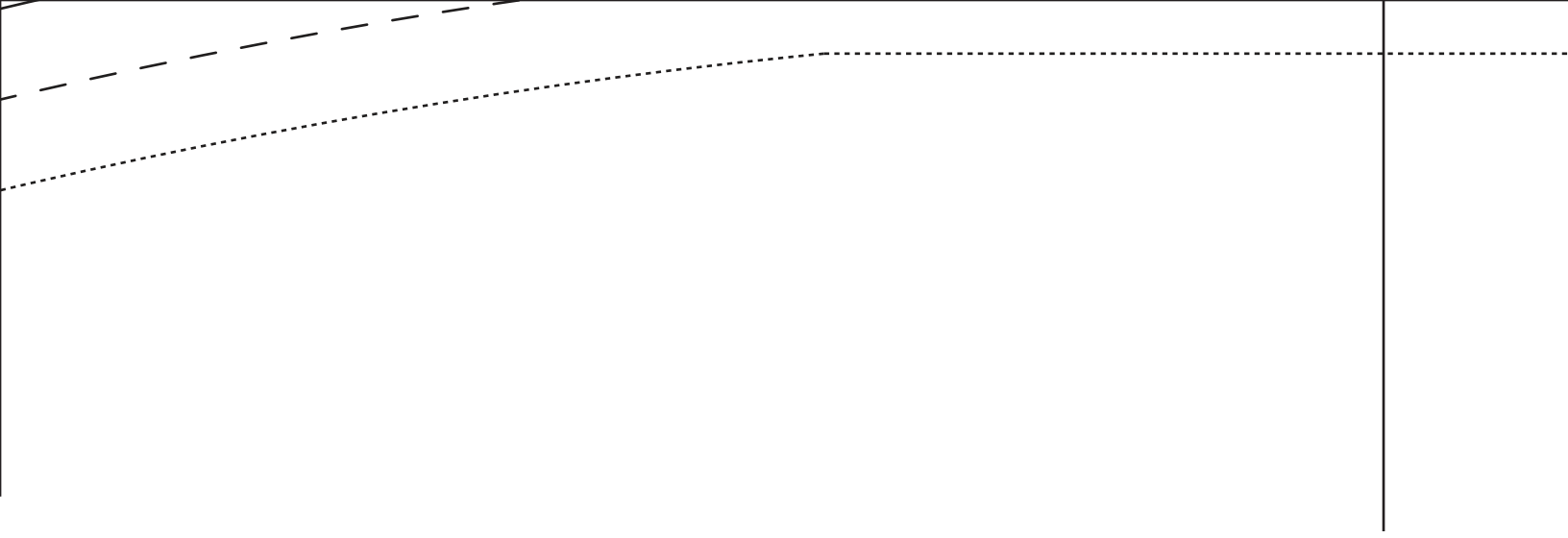




WAISTLINE

82





83

84

85