

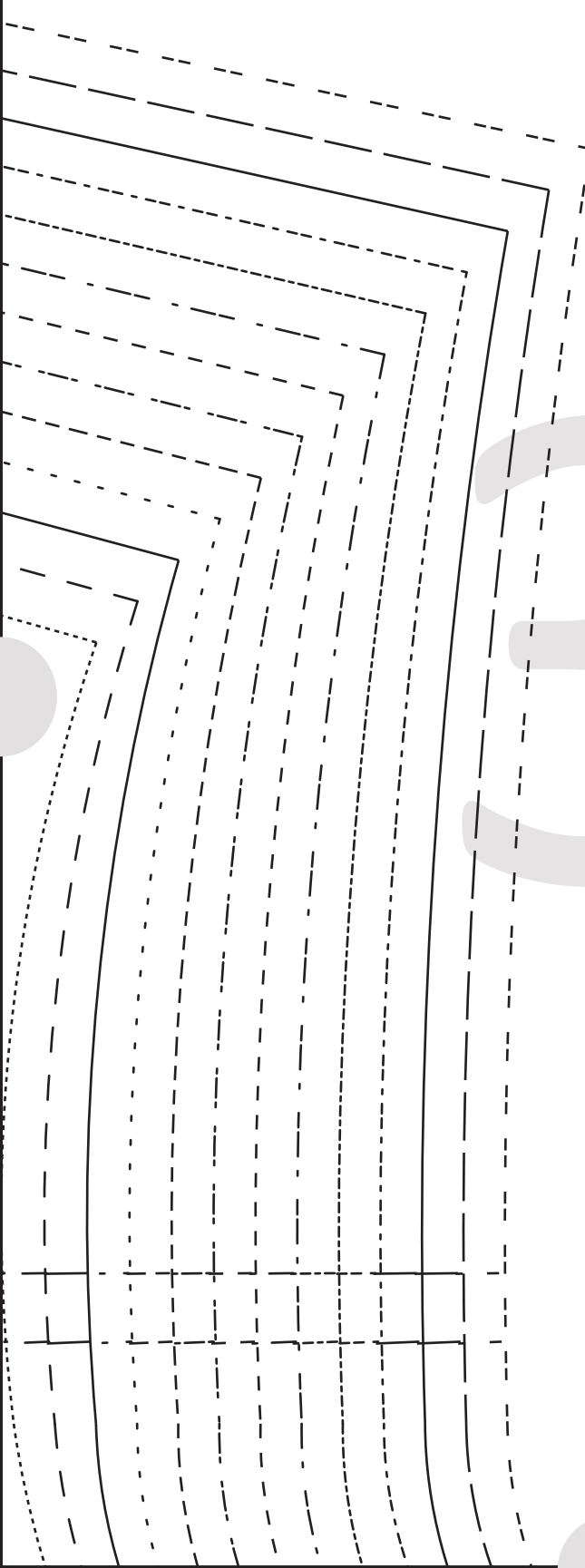


NOVA TWIST TOP

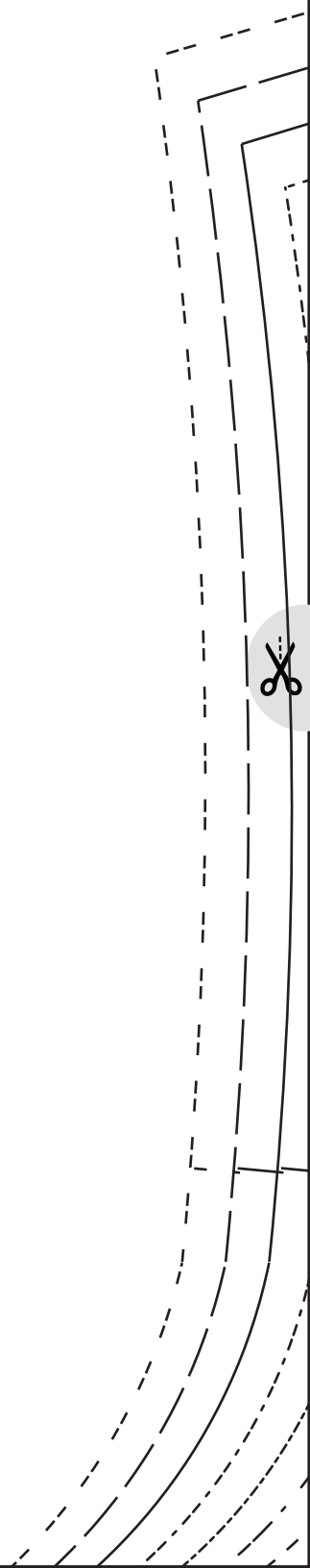
#0324

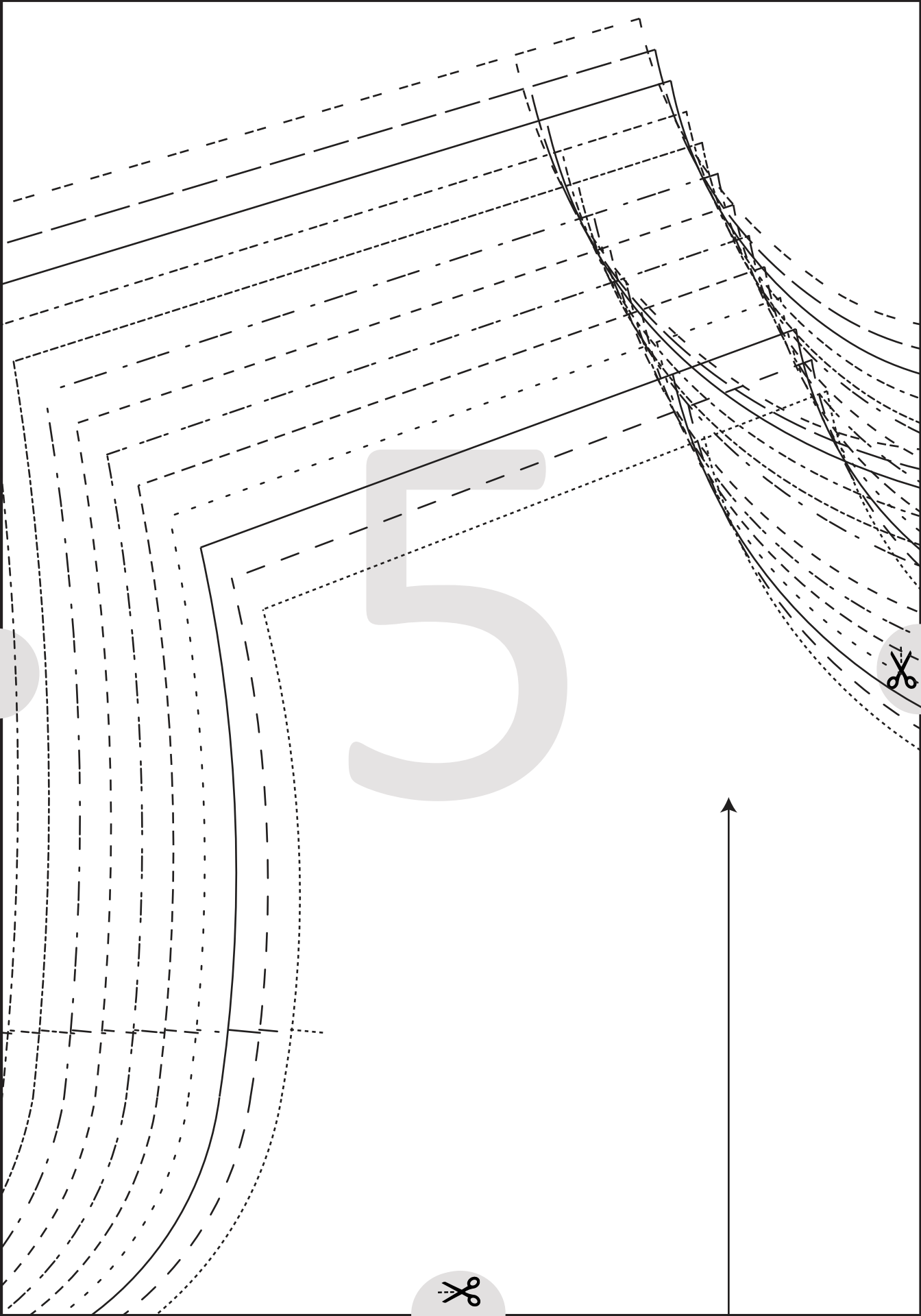
5cms square

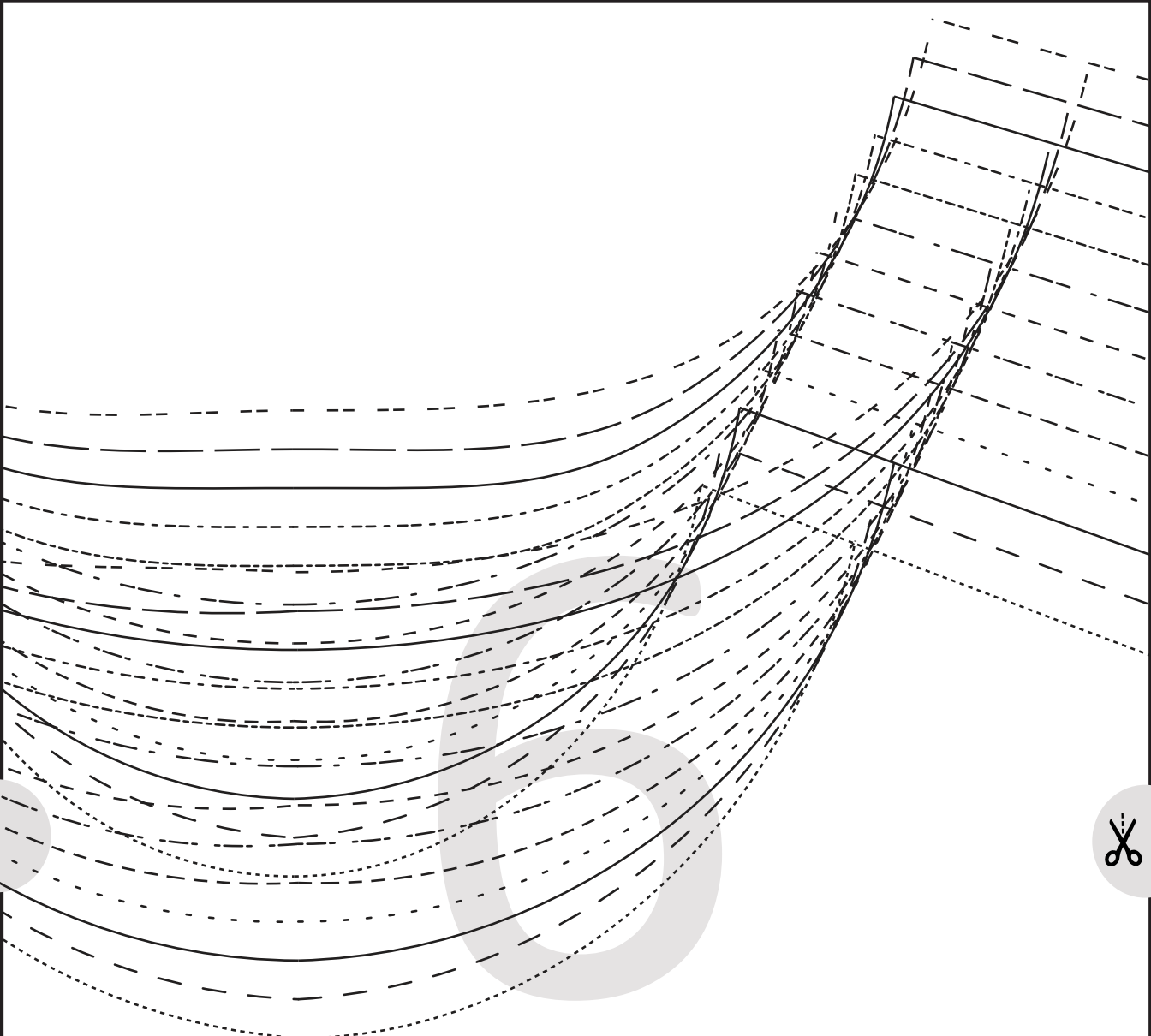
2 inch square



4



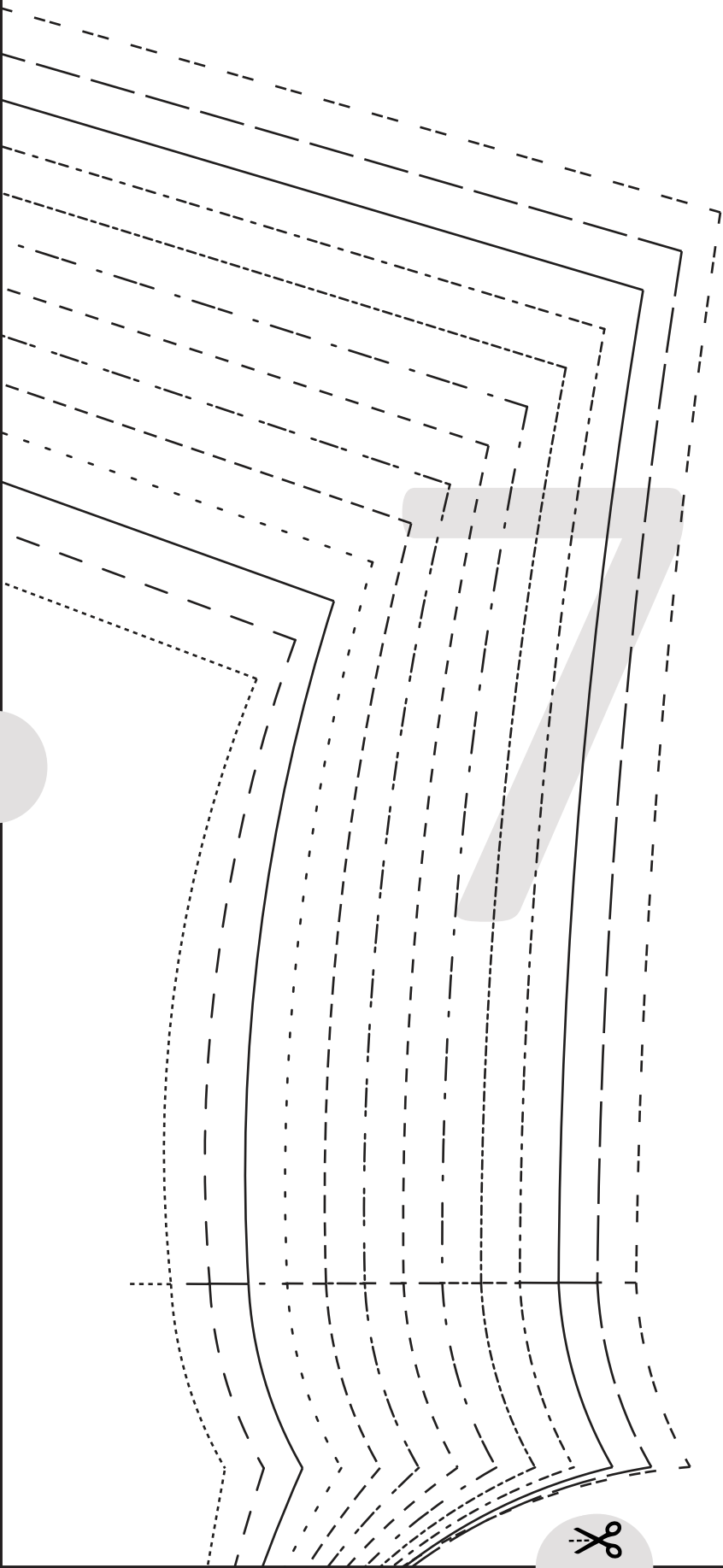




NOVA TWIST TOP

#0324



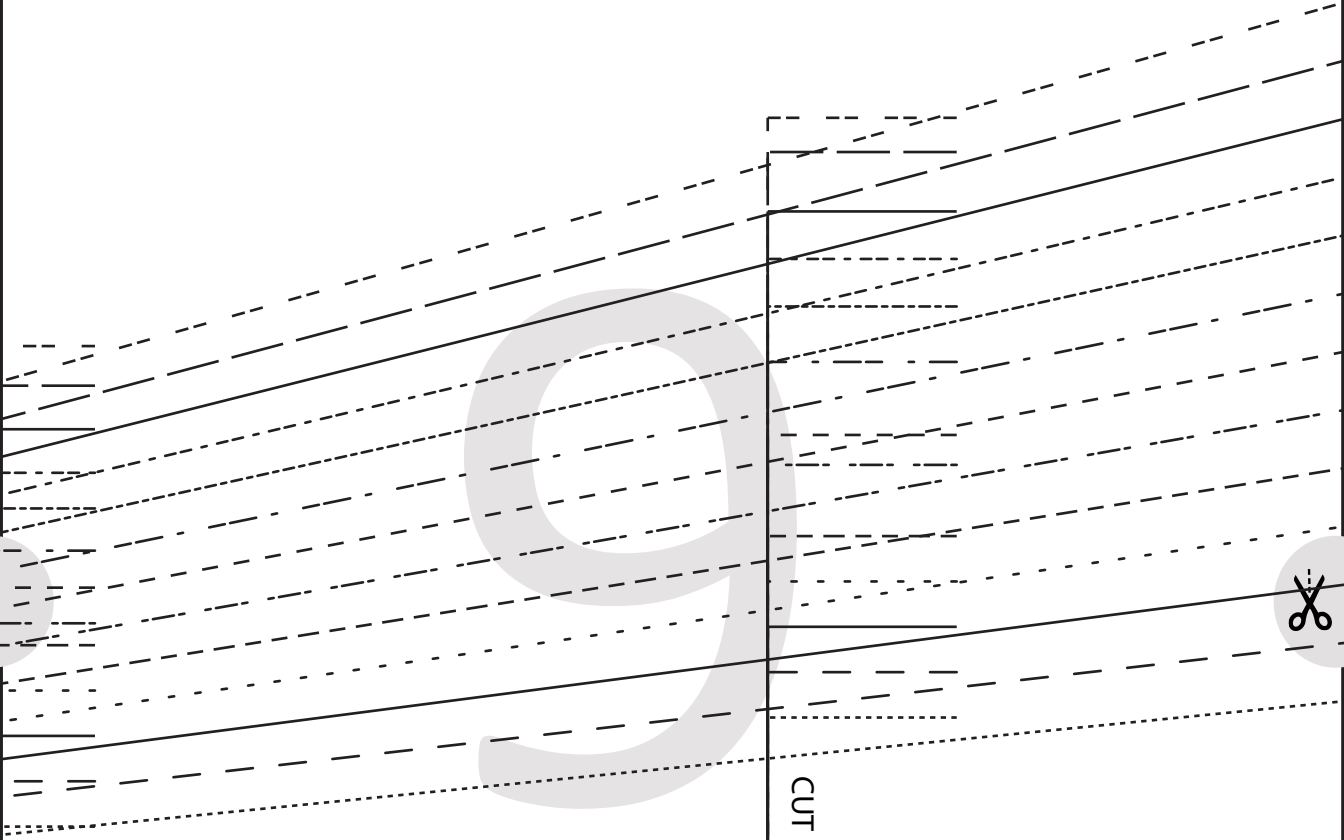




CUT HERE 3/4s LENGTH. HEM ALLOWANCE 2.5 cms (

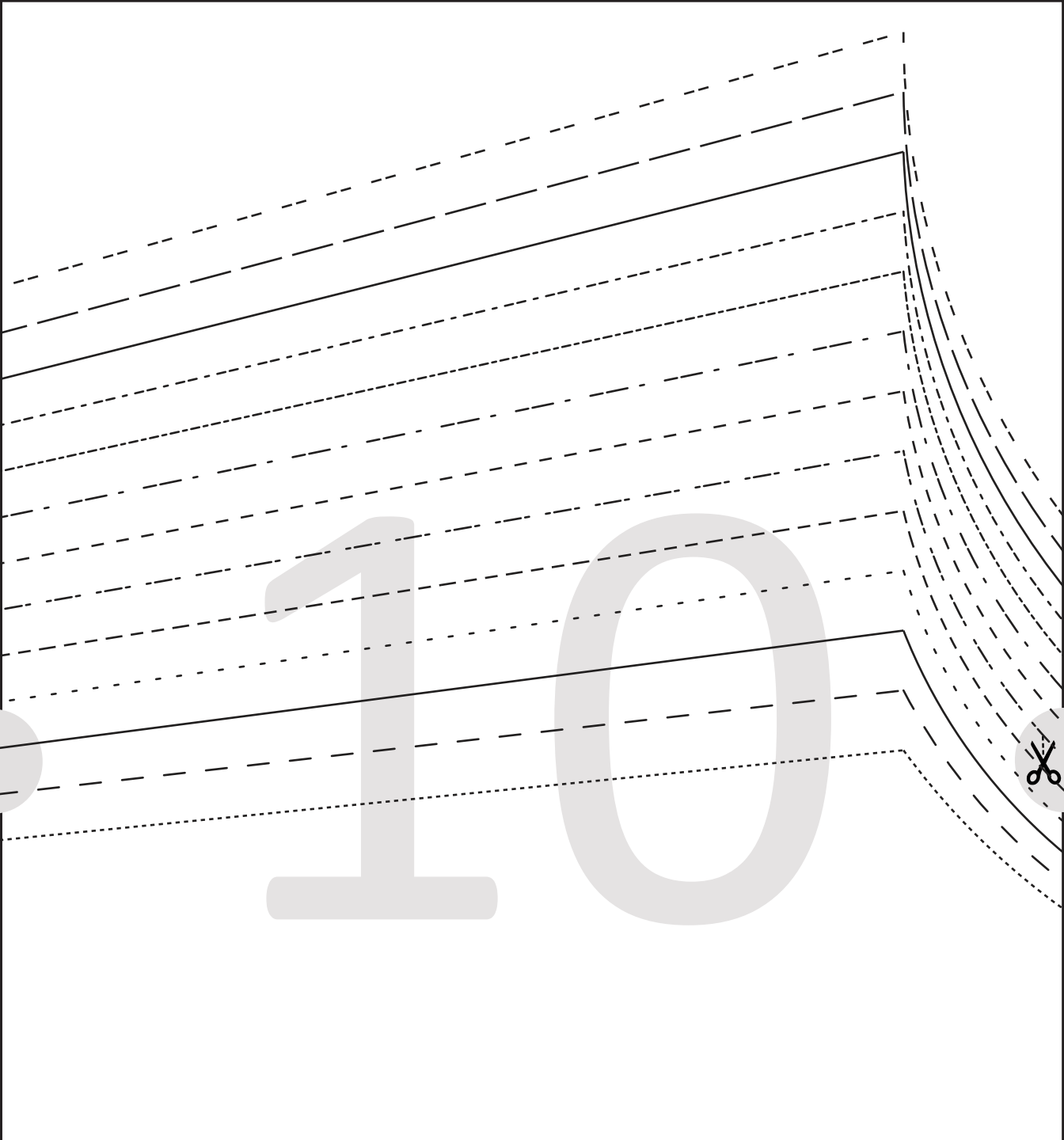


CUT HERE LONG SLEEVE LENGTH. HEM ALLOWAN



CUT HERE ELBOW LENGTH. HEM ALLOWANCE 2.5 cms (1")

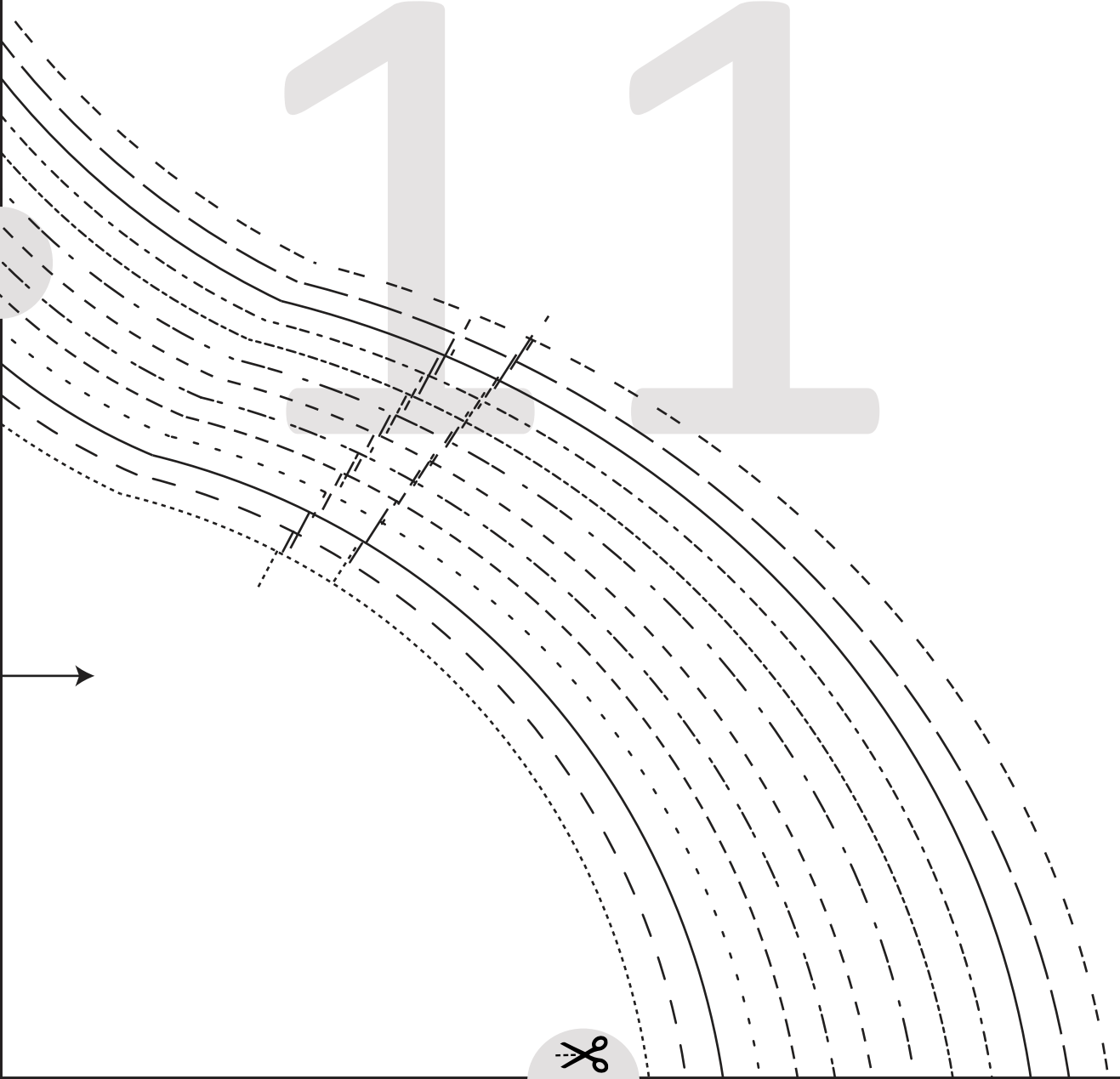




10



1 1



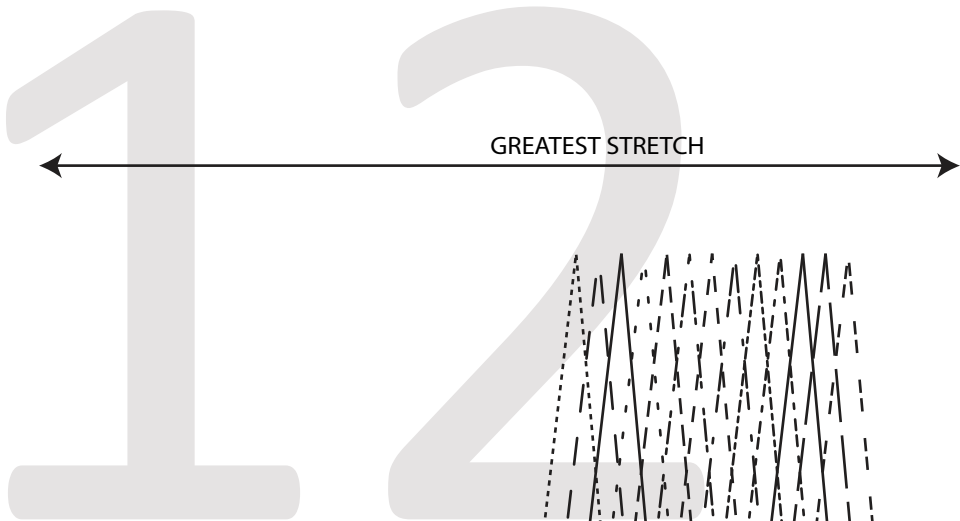
NOVA TWIST TOP #0324

1

BACK

CUT 1 FOLD

(6mms (1/4") seam allowance unless otherwise stated)

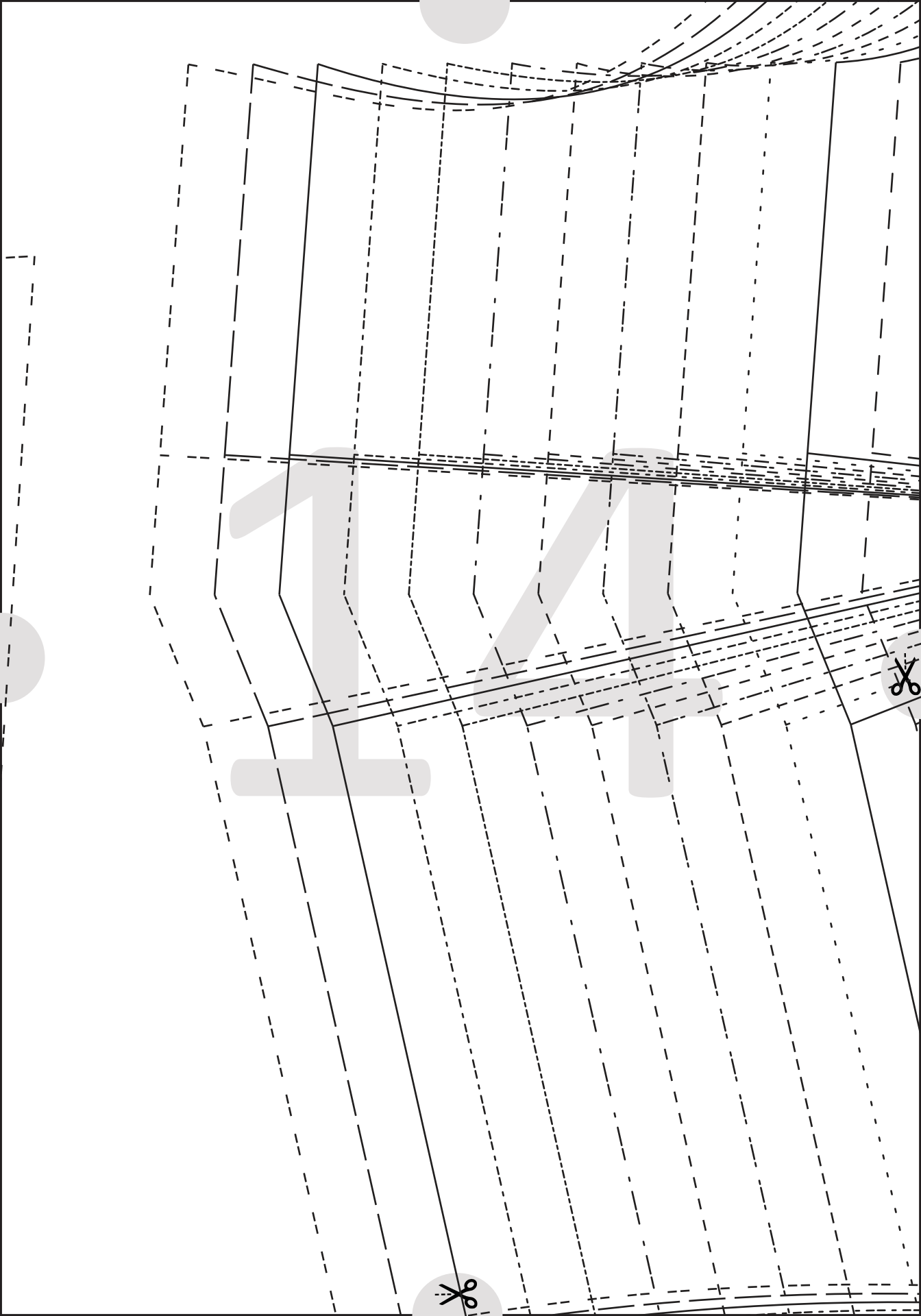


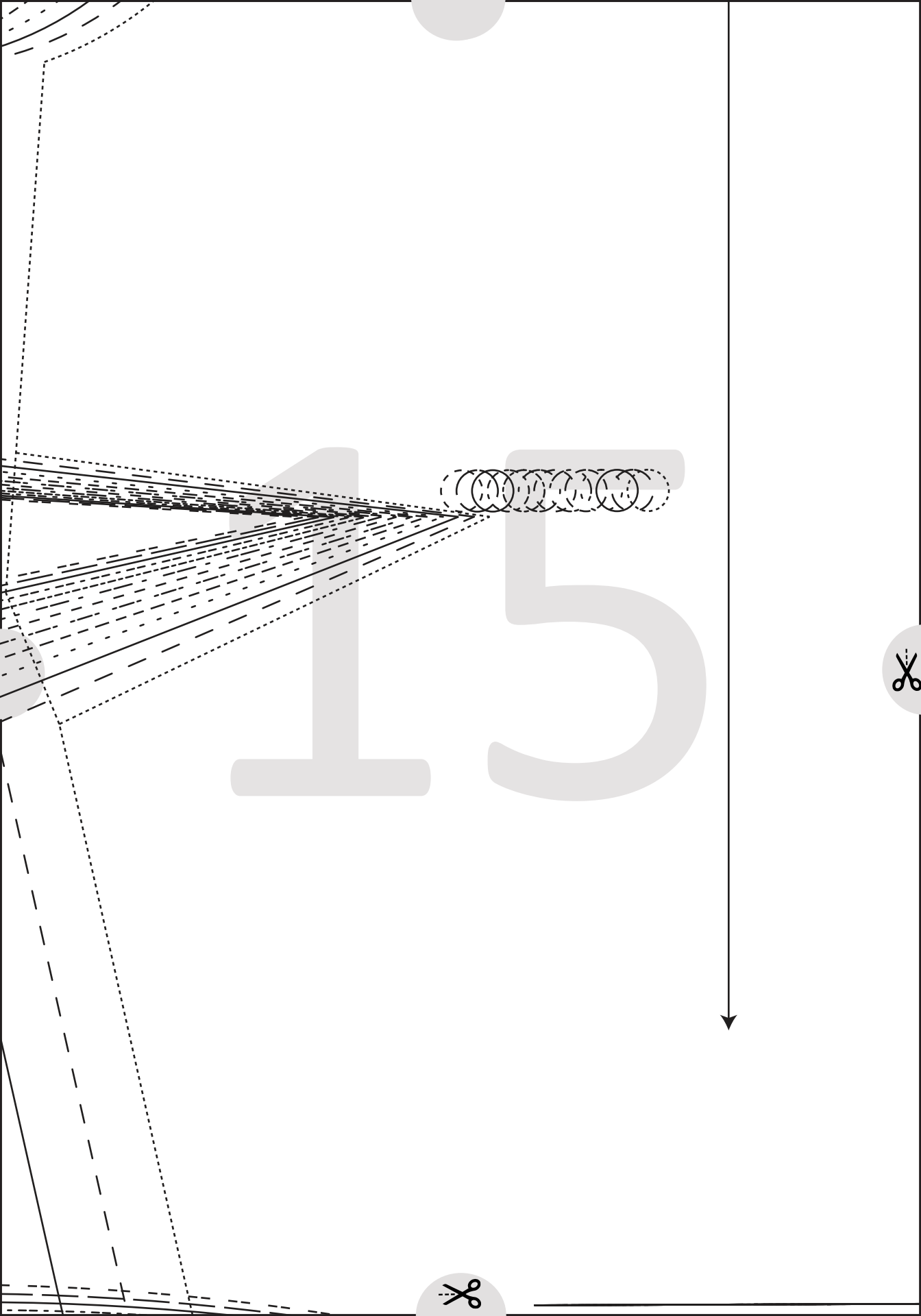
WAISTLIN

13



E





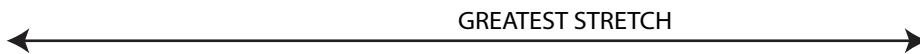
2

FRONT - D CUP

CUT 1

CUT THIS WAY UP

(6mms (1/4") seam allowance unless otherwise stated)



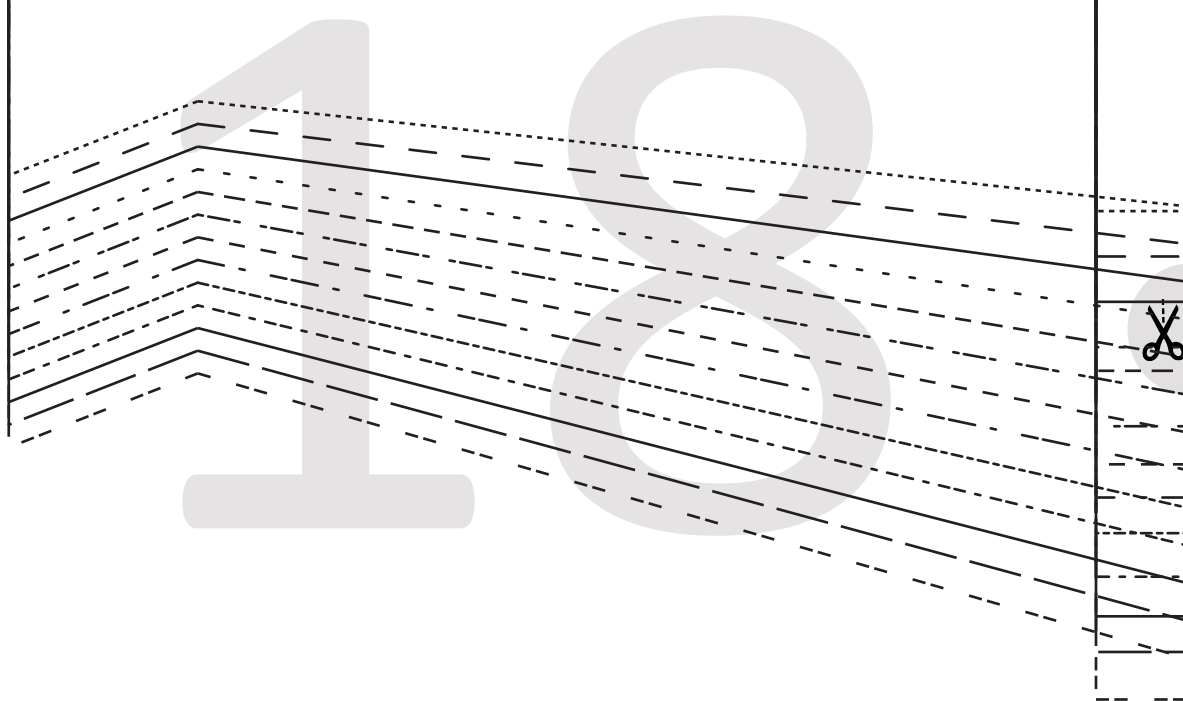
16

WAISTL

17

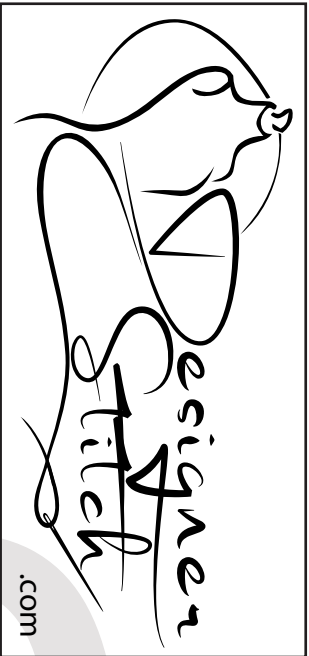


Cut 2.5 cms (1")



19





NOVA TWIST TOP

#0324

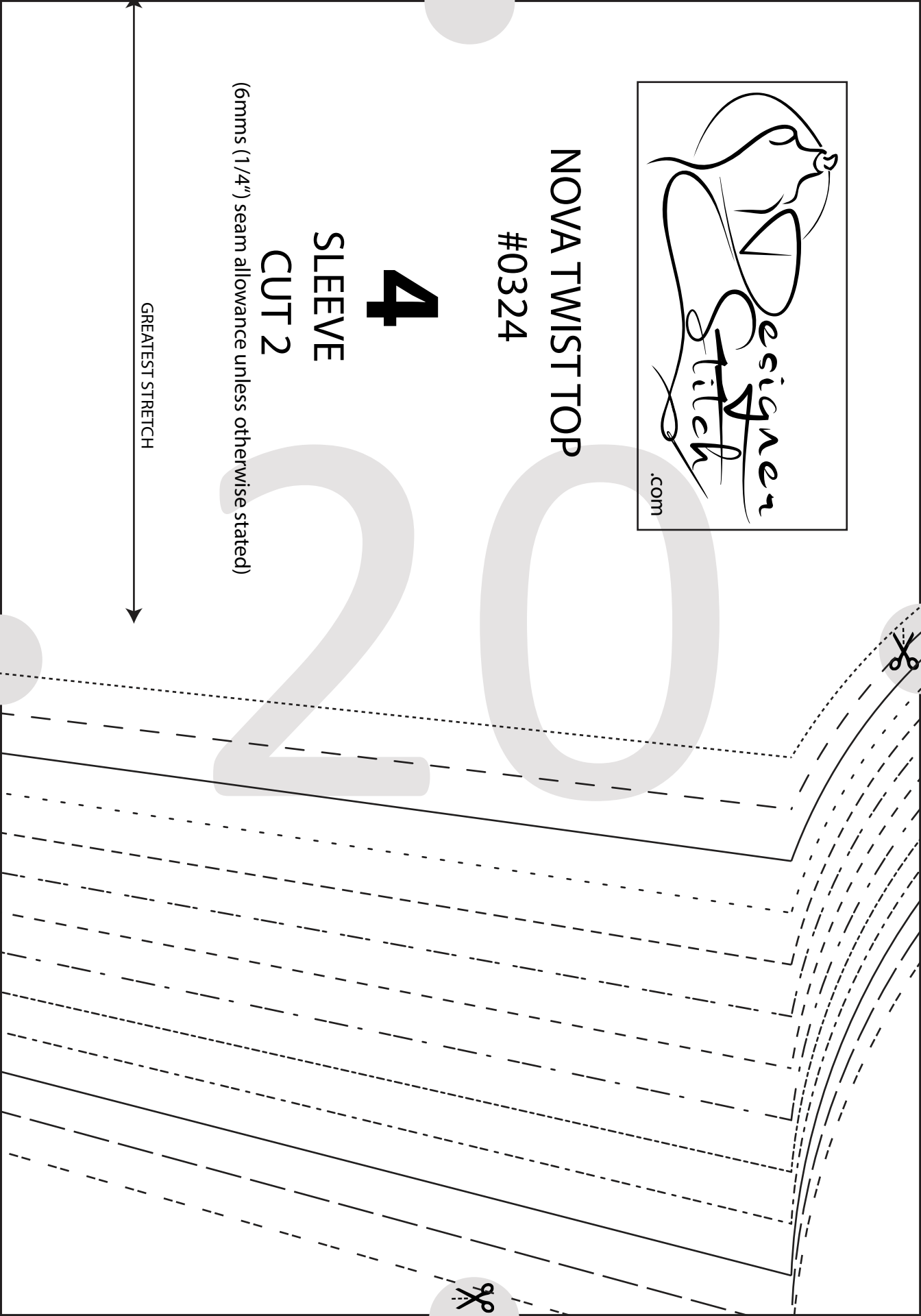
4

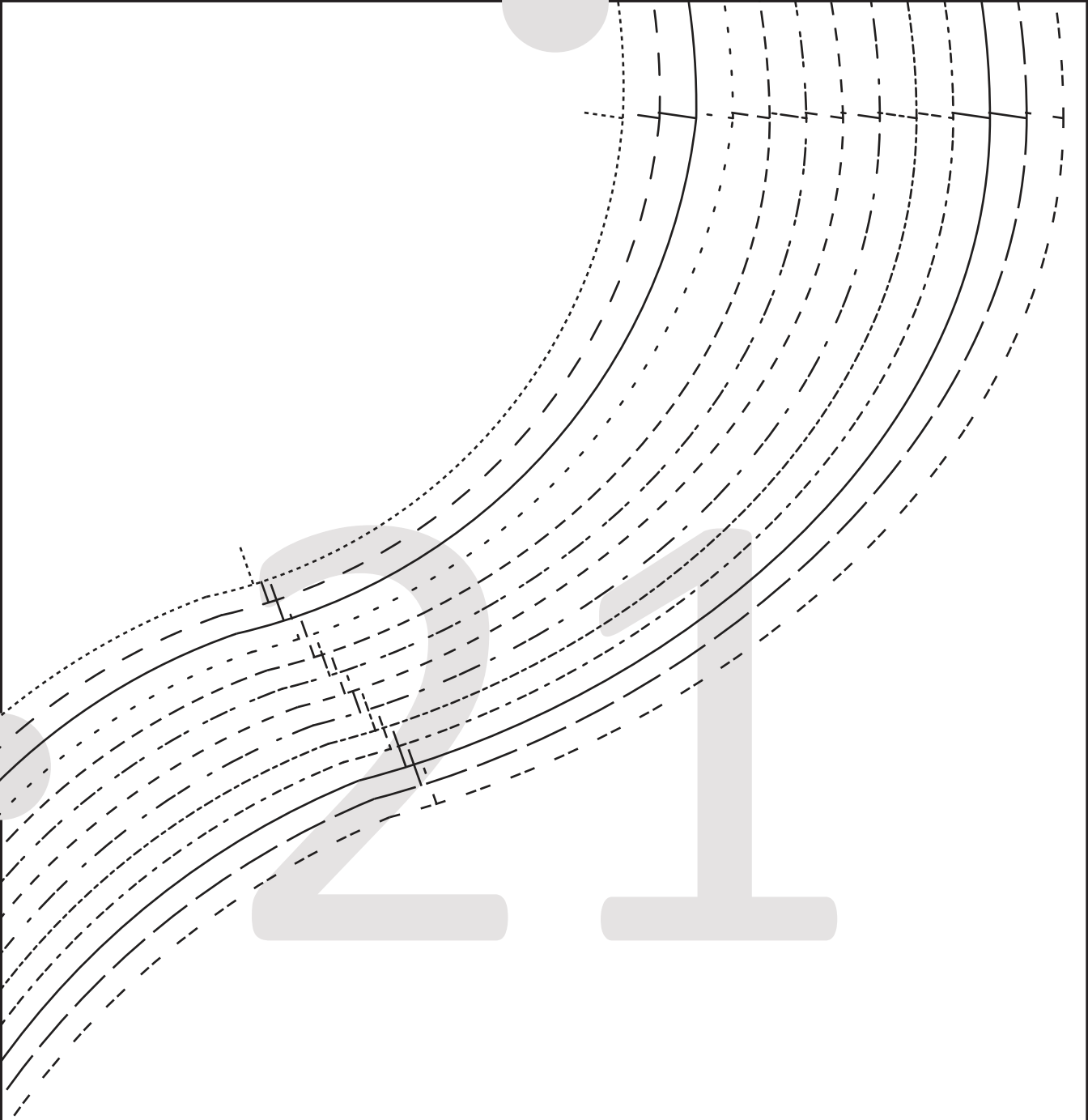
SLEEVE

CUT 2

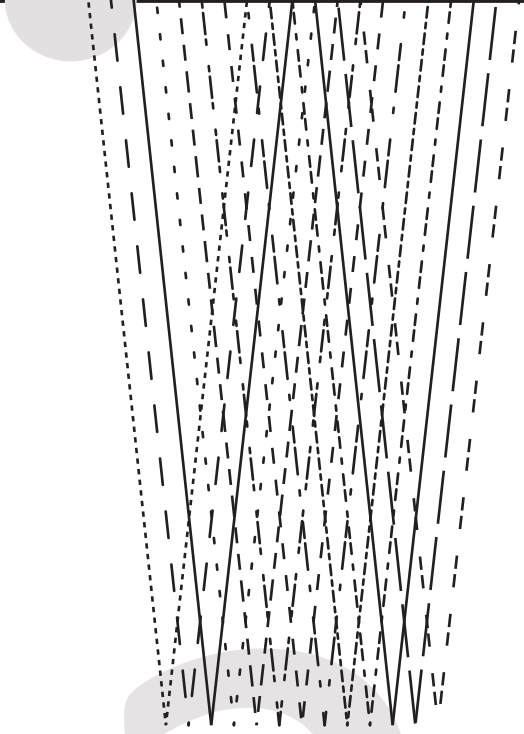
(6mm (1/4") seam allowance unless otherwise stated)

GREATEST STRETCH





2 2



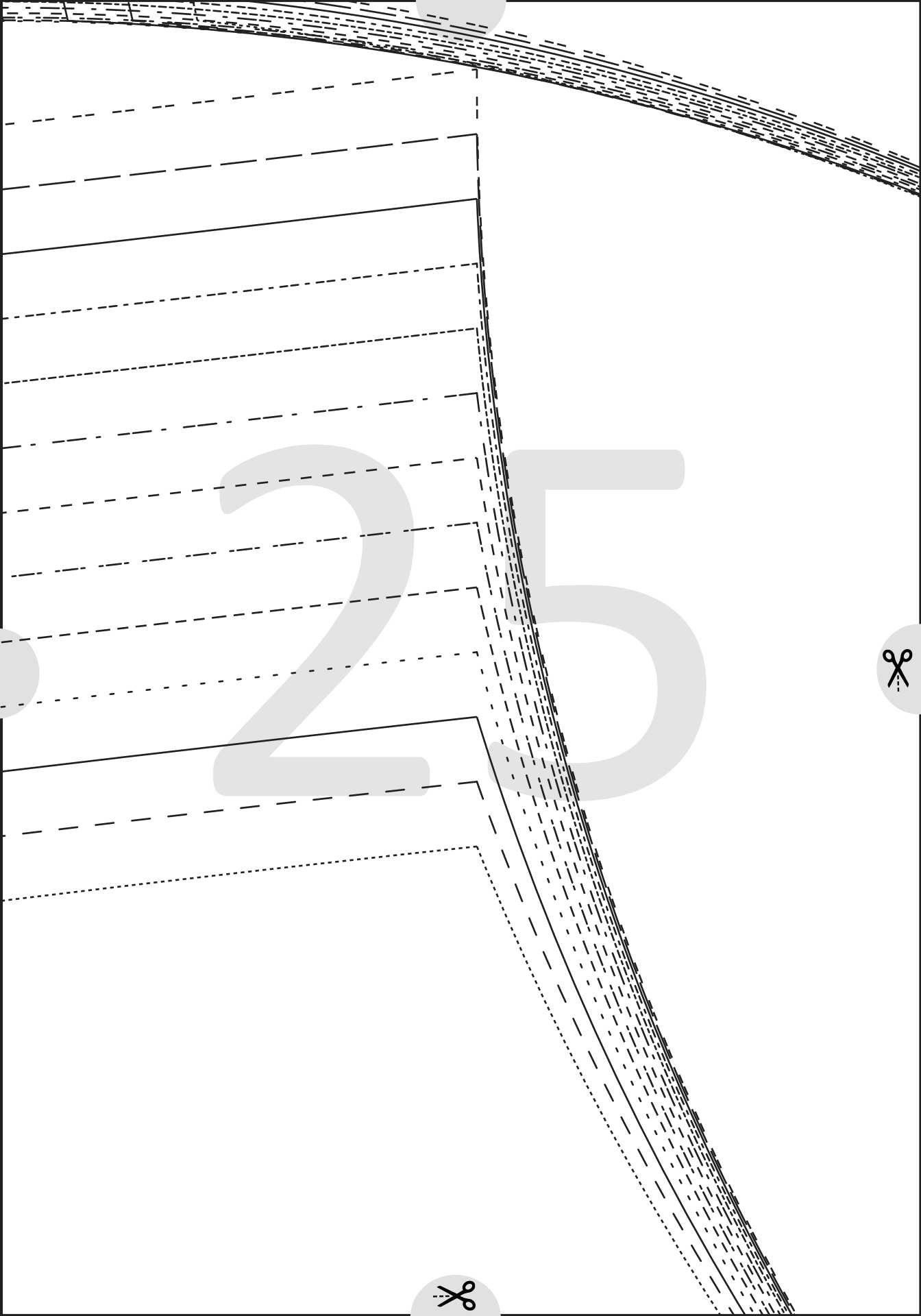
2

3



24





25



26



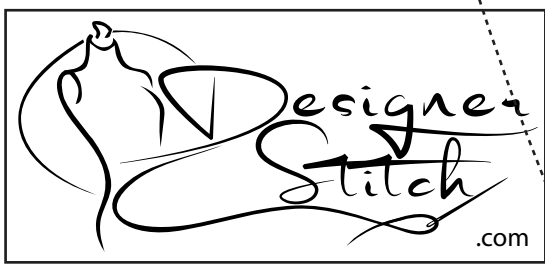
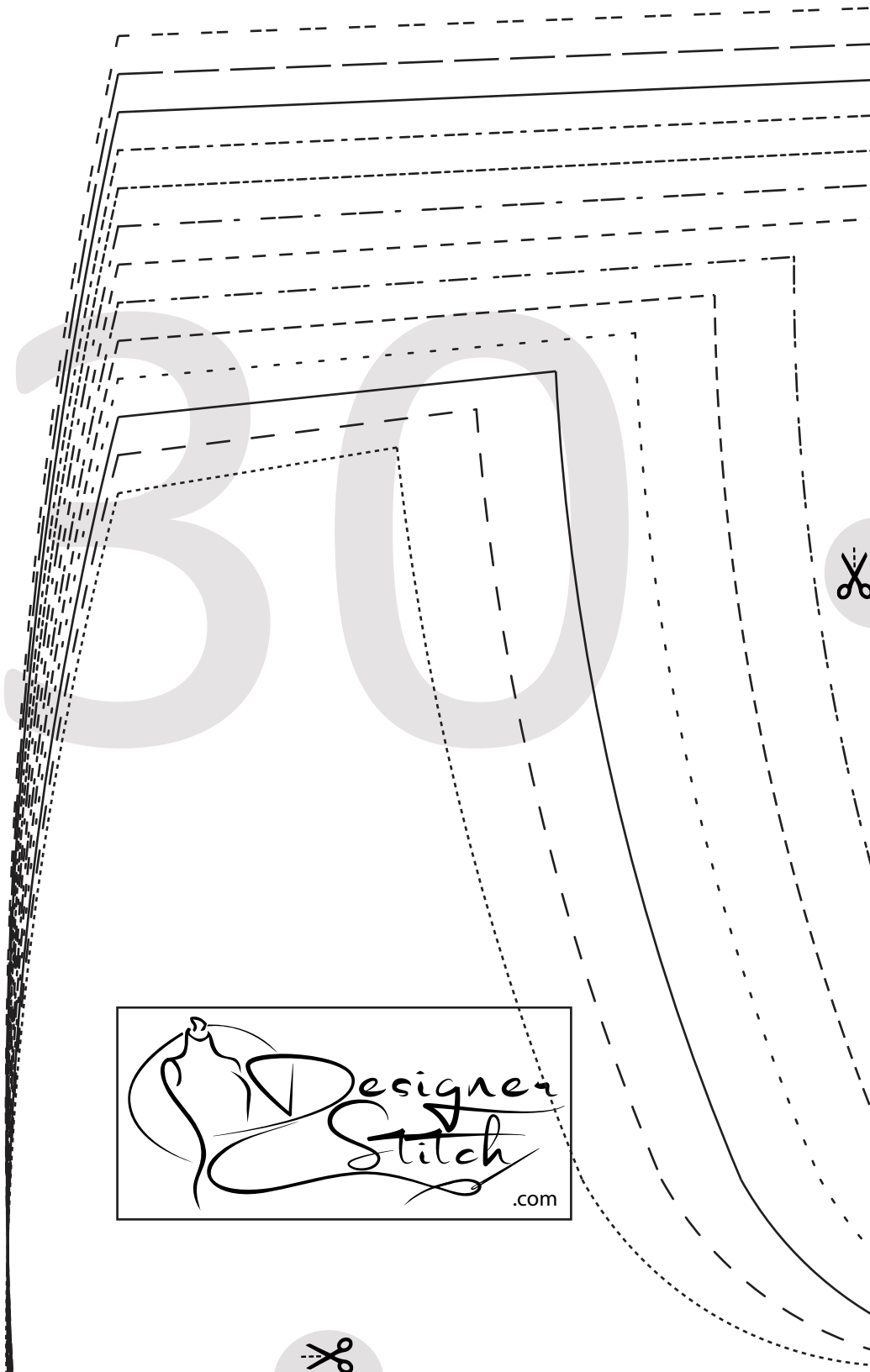
27

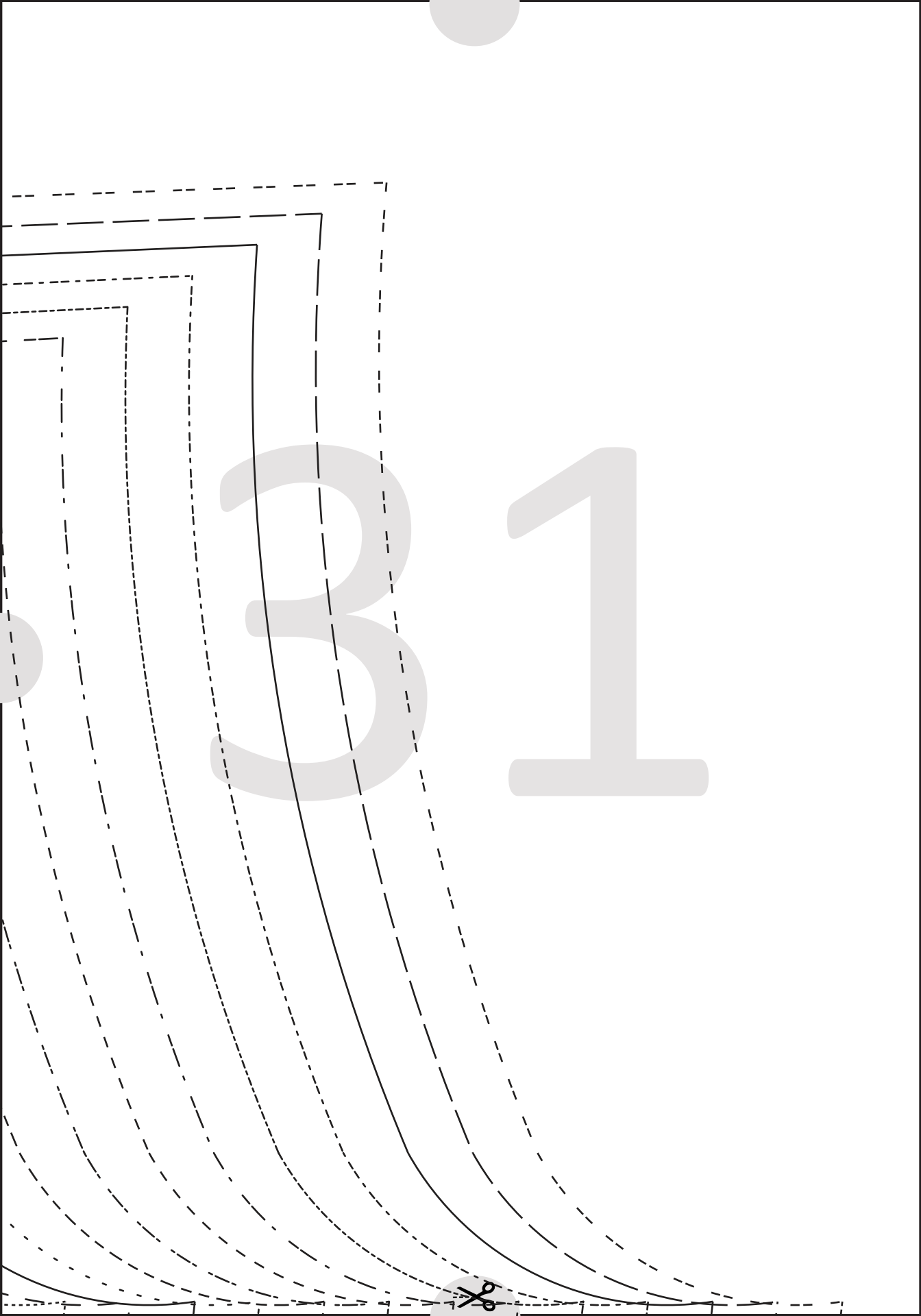


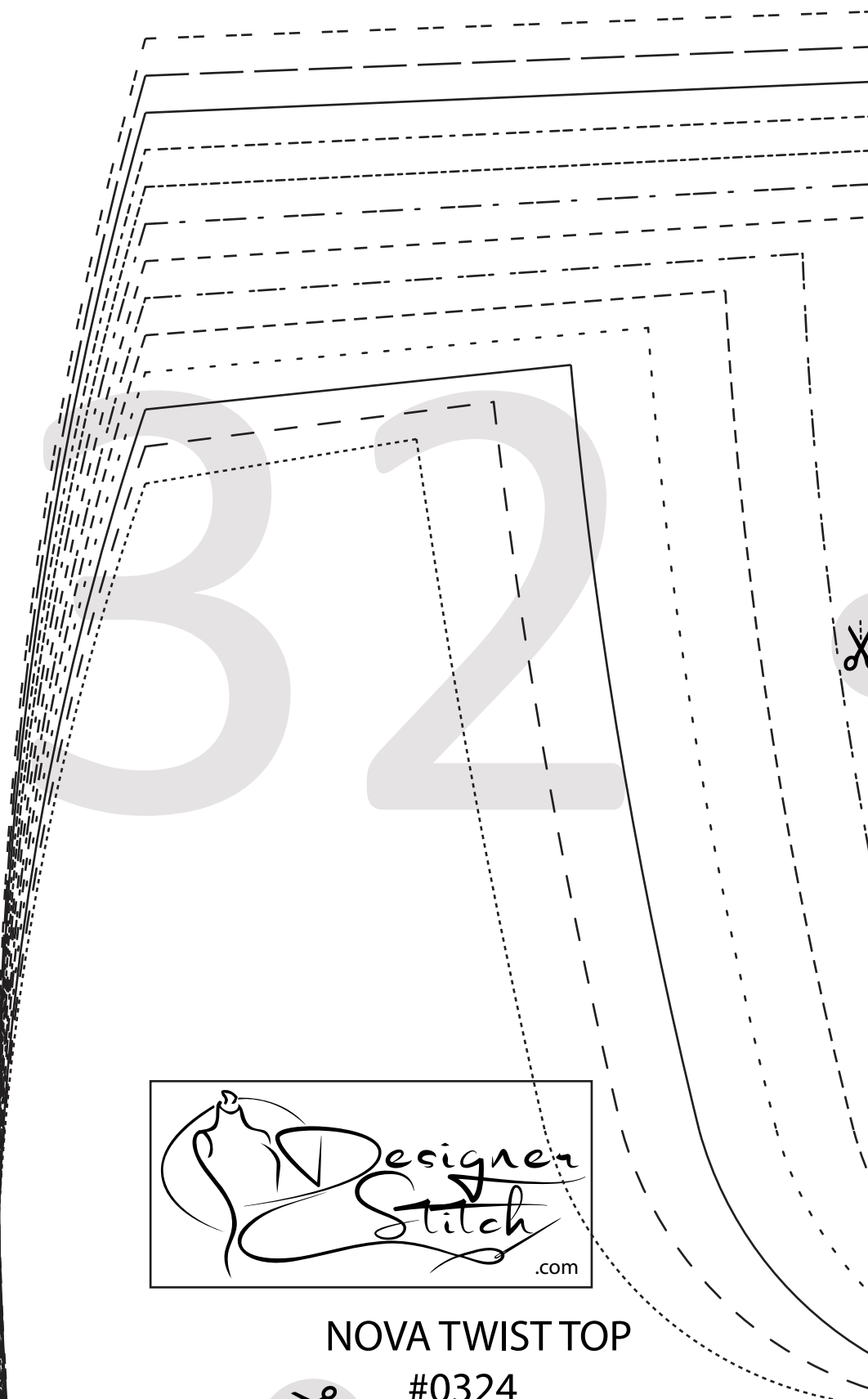
28



30



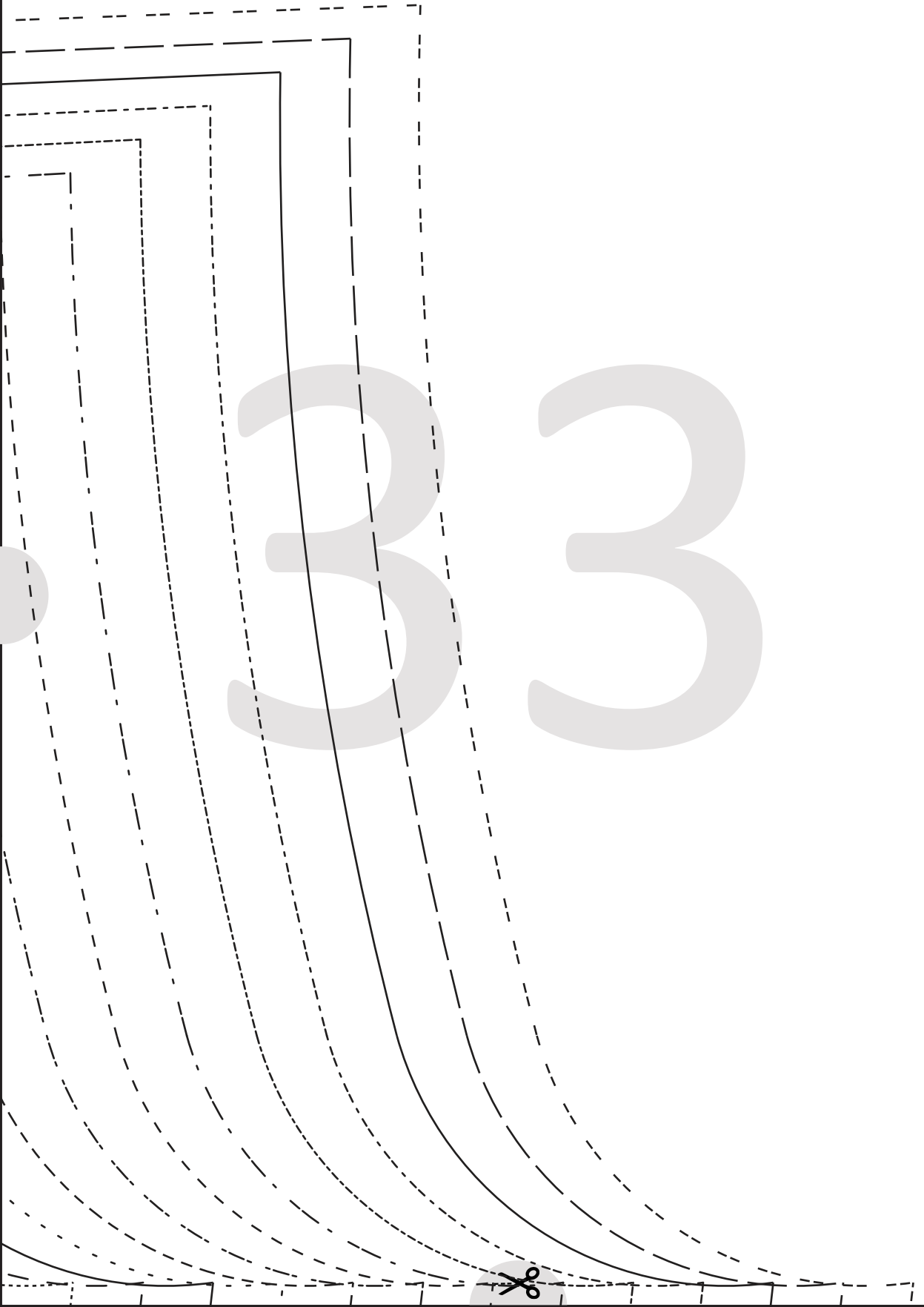




NOVA TWIST TOP

#0324





3 4



35





3

7



38





GREATEST STRETCH



NOVA TWIST TOP
#0324



ARMHOLE BIND
CUT 2

(6mms (1/4") seam allowance unless otherwise stated)

7



NOVA TWIST TOP
#0324



NECK BIND
CUT 1

(6mms (1/4") seam allowance unless otherwise stated)

6



NOVA TWIST TOP

#0324

3

SIDE FRONT - D CUP

CUT 1

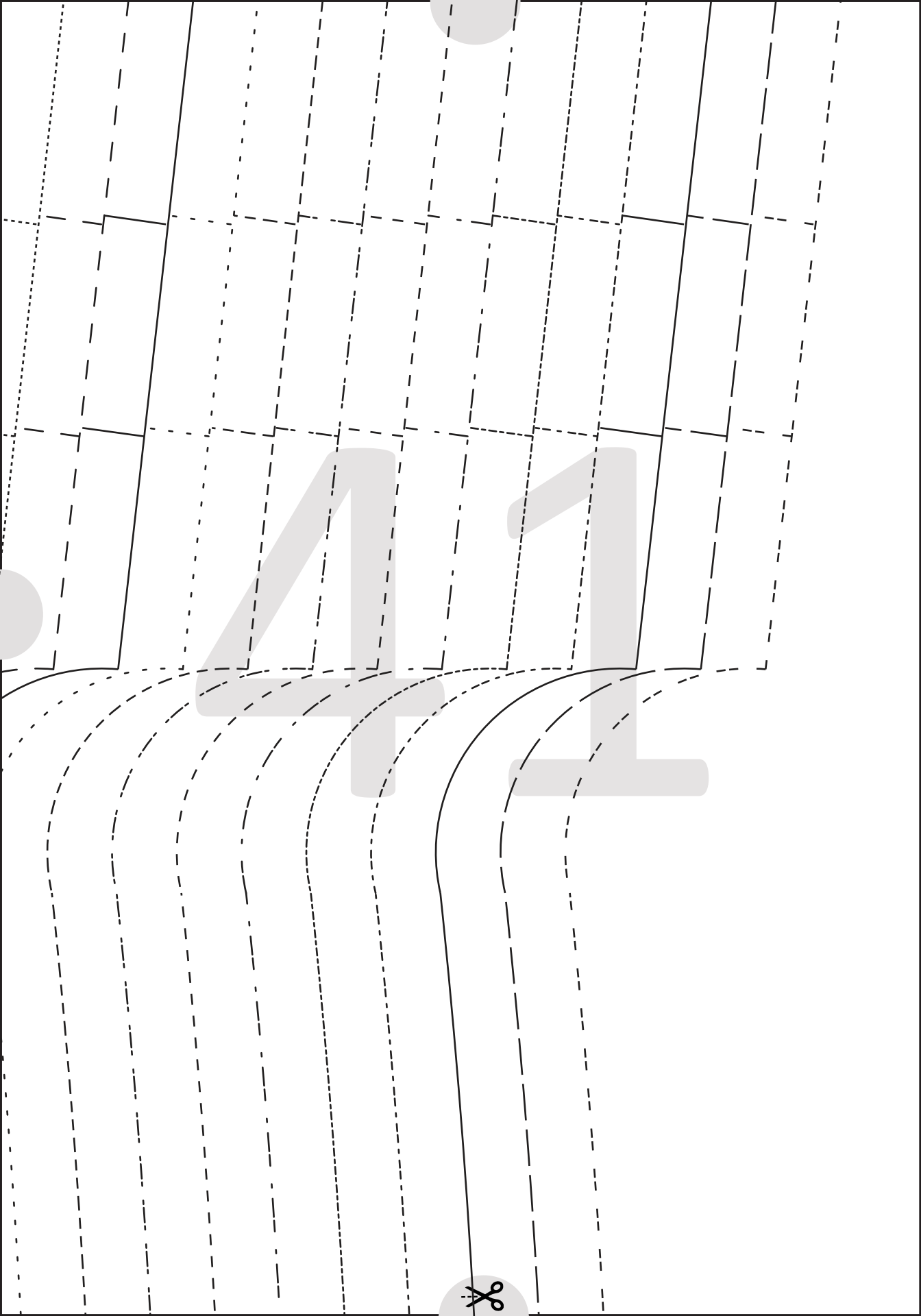
CUT THIS WAY UP

(6mms (1/4") seam allowance unless otherwise stated)

40

GREATEST STRETCH





4

1



3

SIDE FRONT - DD CUP

CUT 1

CUT THIS WAY UP

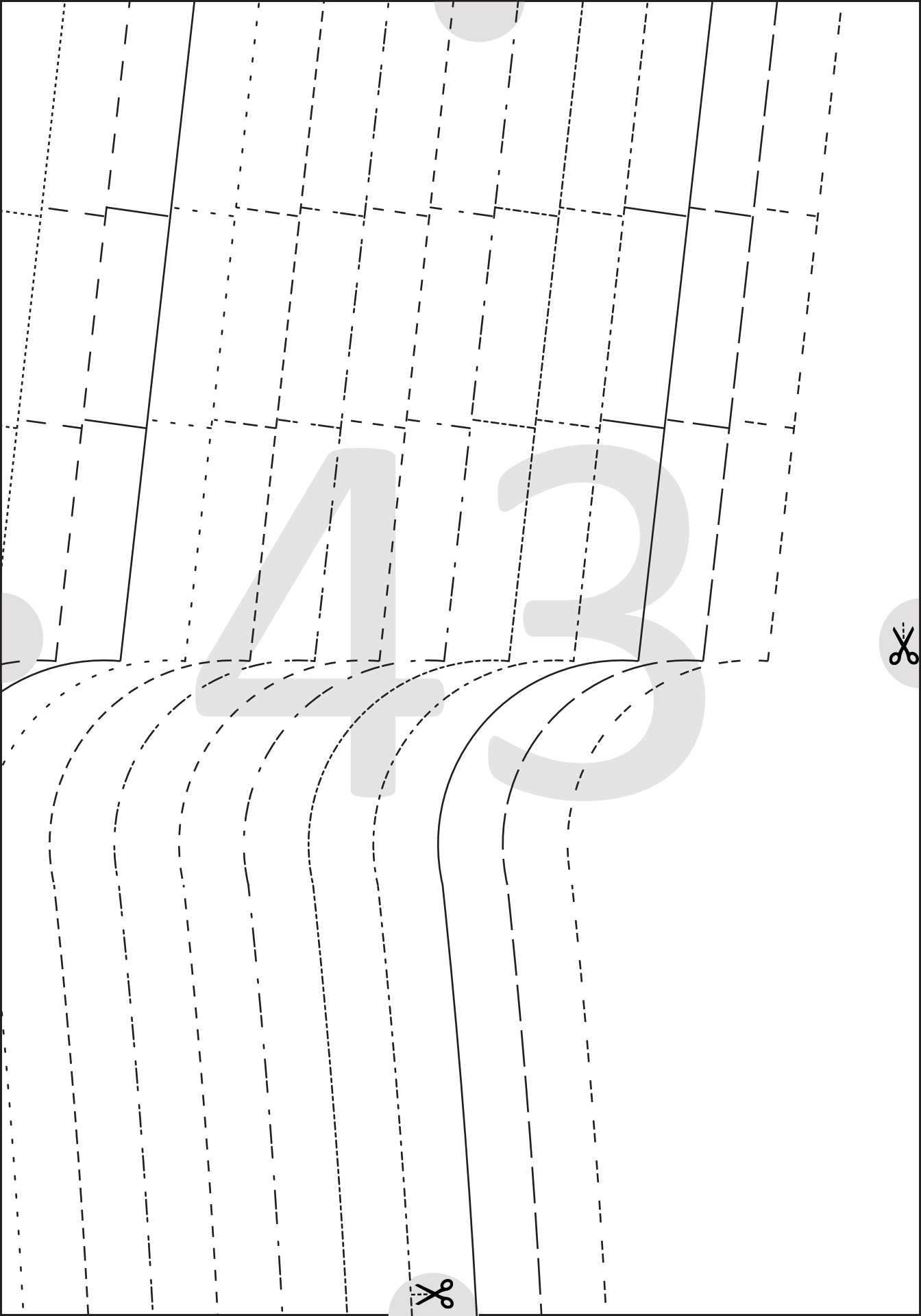
(6mms (1/4") seam allowance unless otherwise stated)

GREATEST STRETCH

WAISTLINE

42



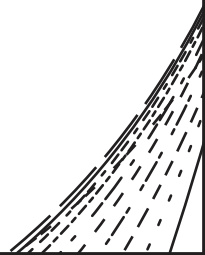




44



45



WAISTLINE



46

GREATEST STRETCH

(6mm (1/4") seam allowance unless otherwise stated)

CUT THIS WAY UP

CUT 1

FRONT - DD CUP

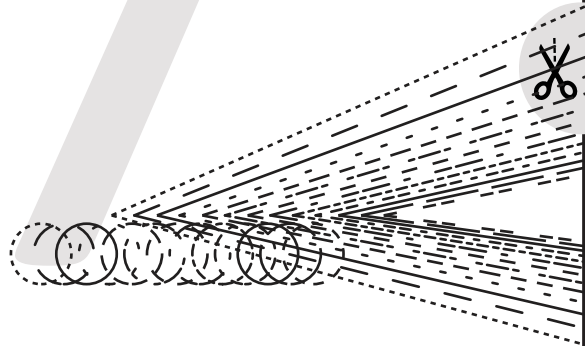
2

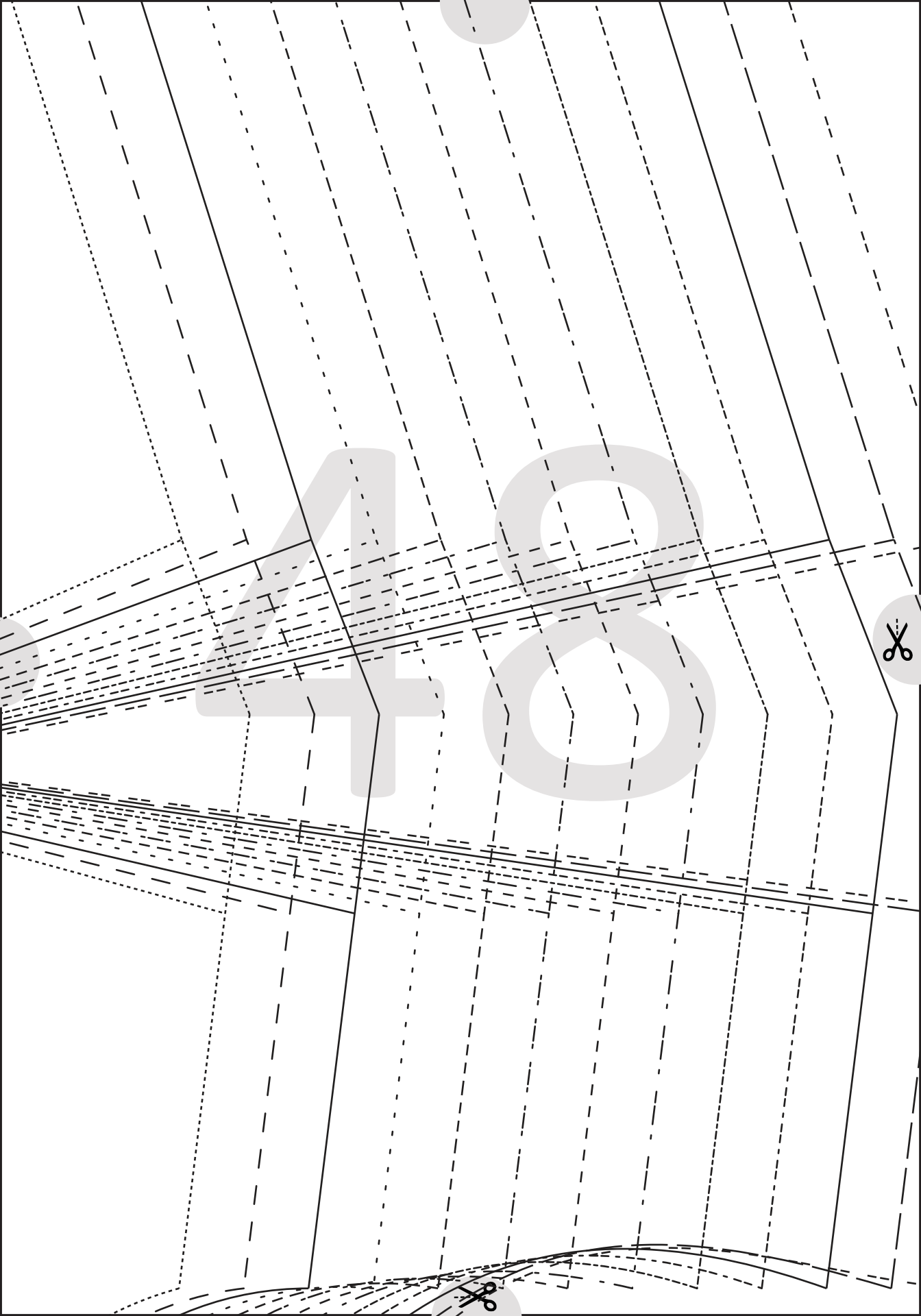
#0324

NOVA TWIST TOP



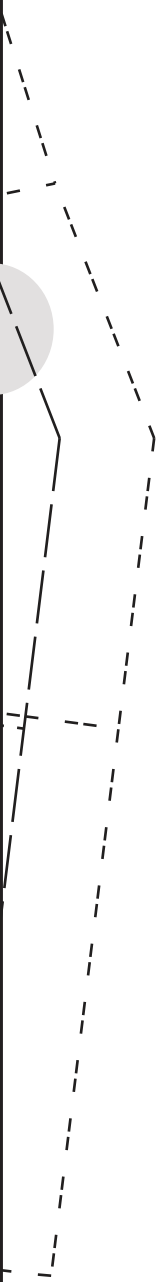
4 7



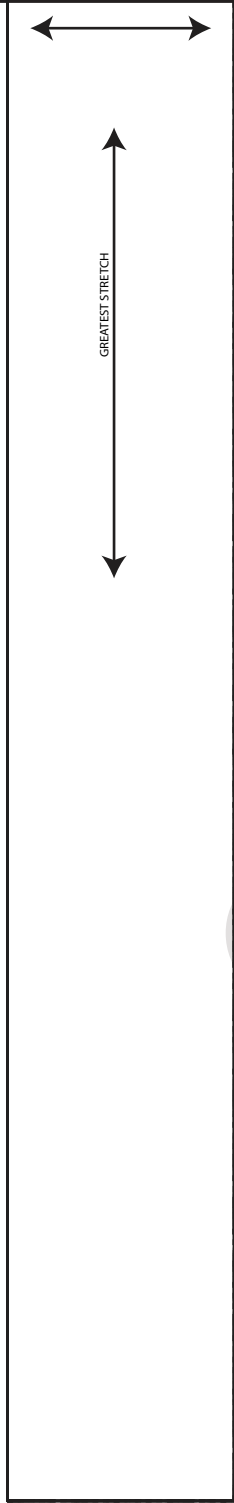
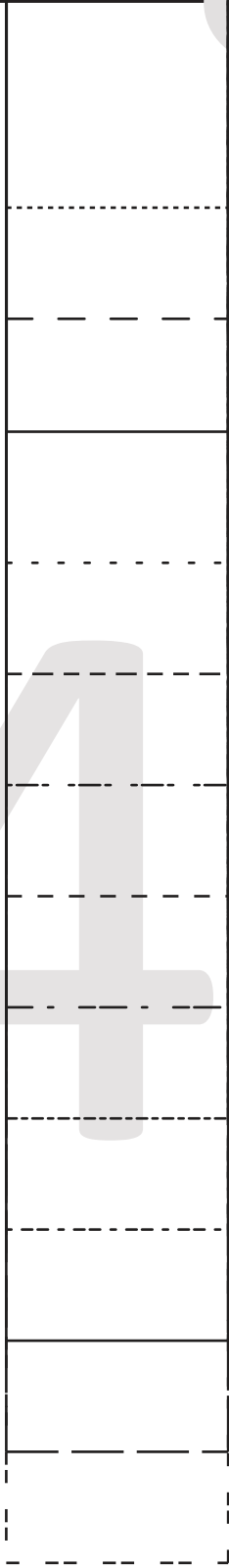


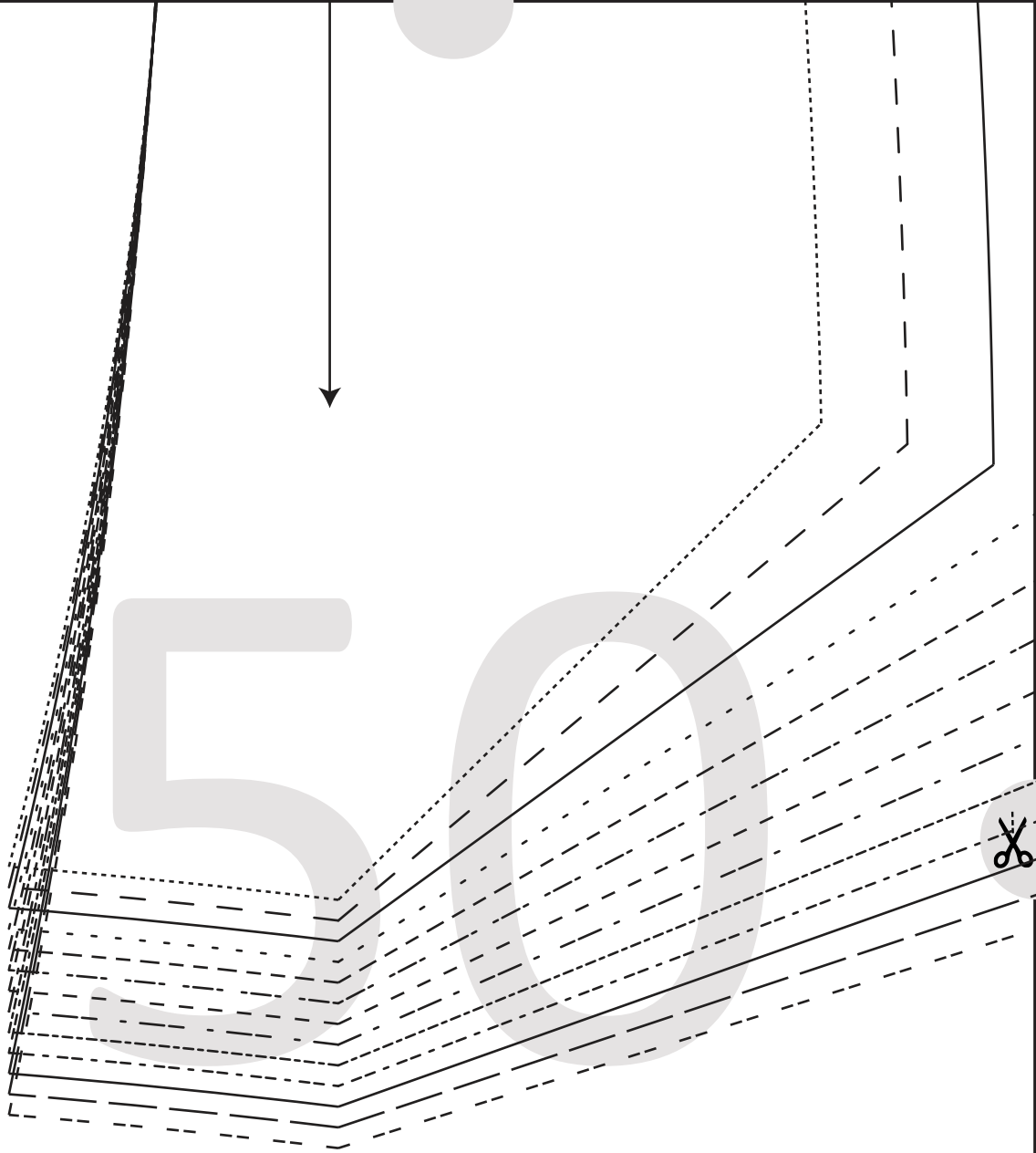
40

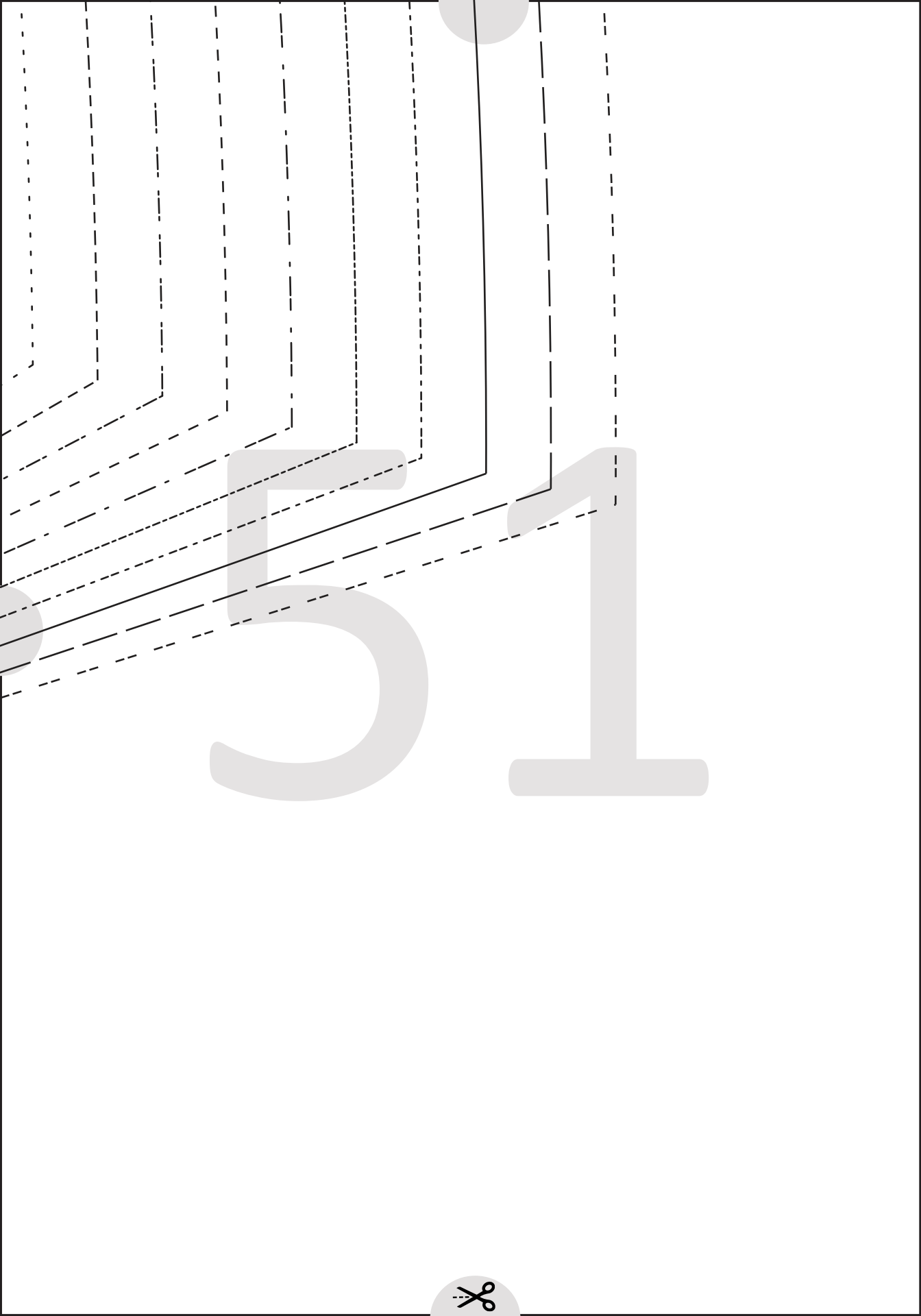


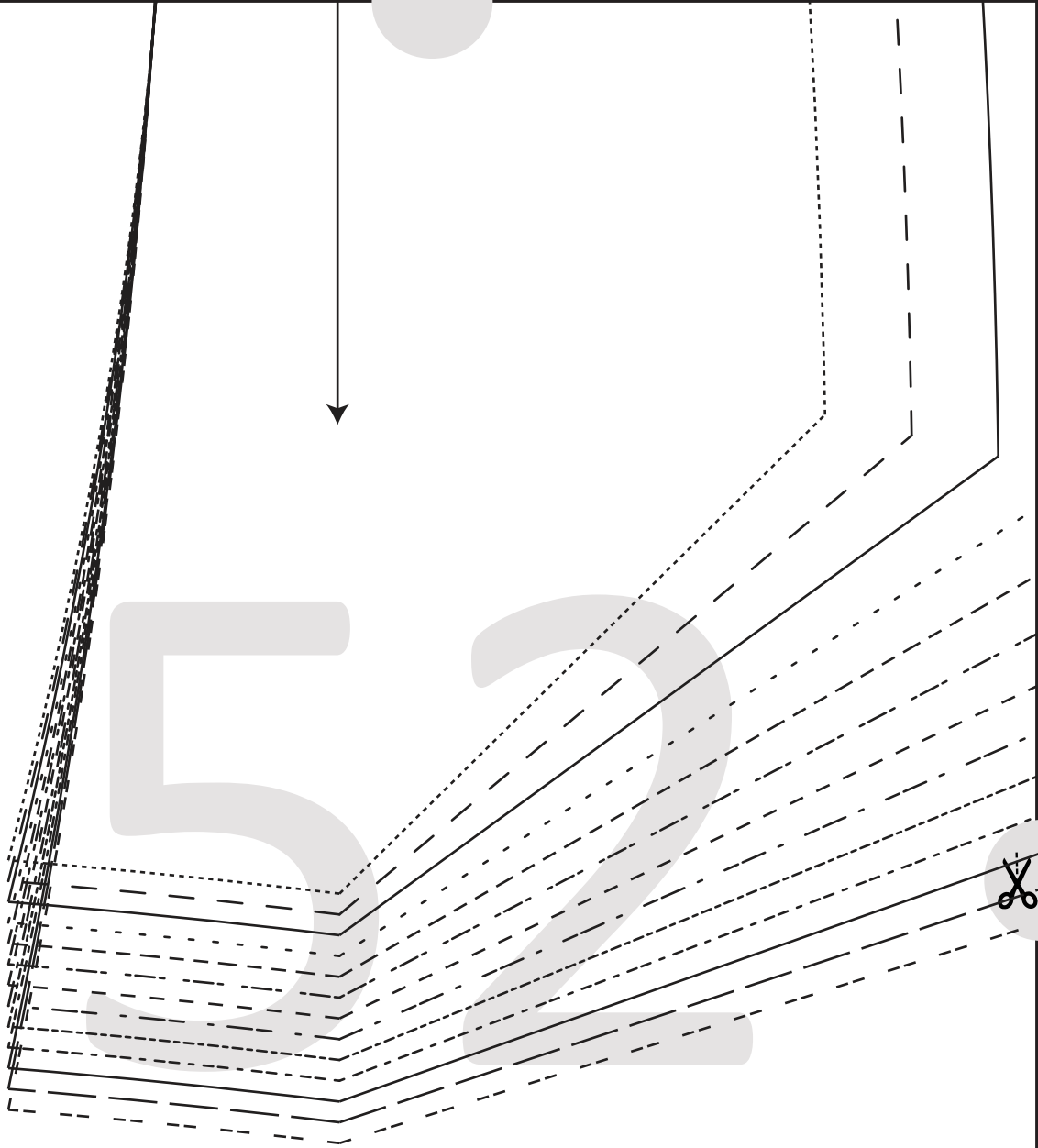


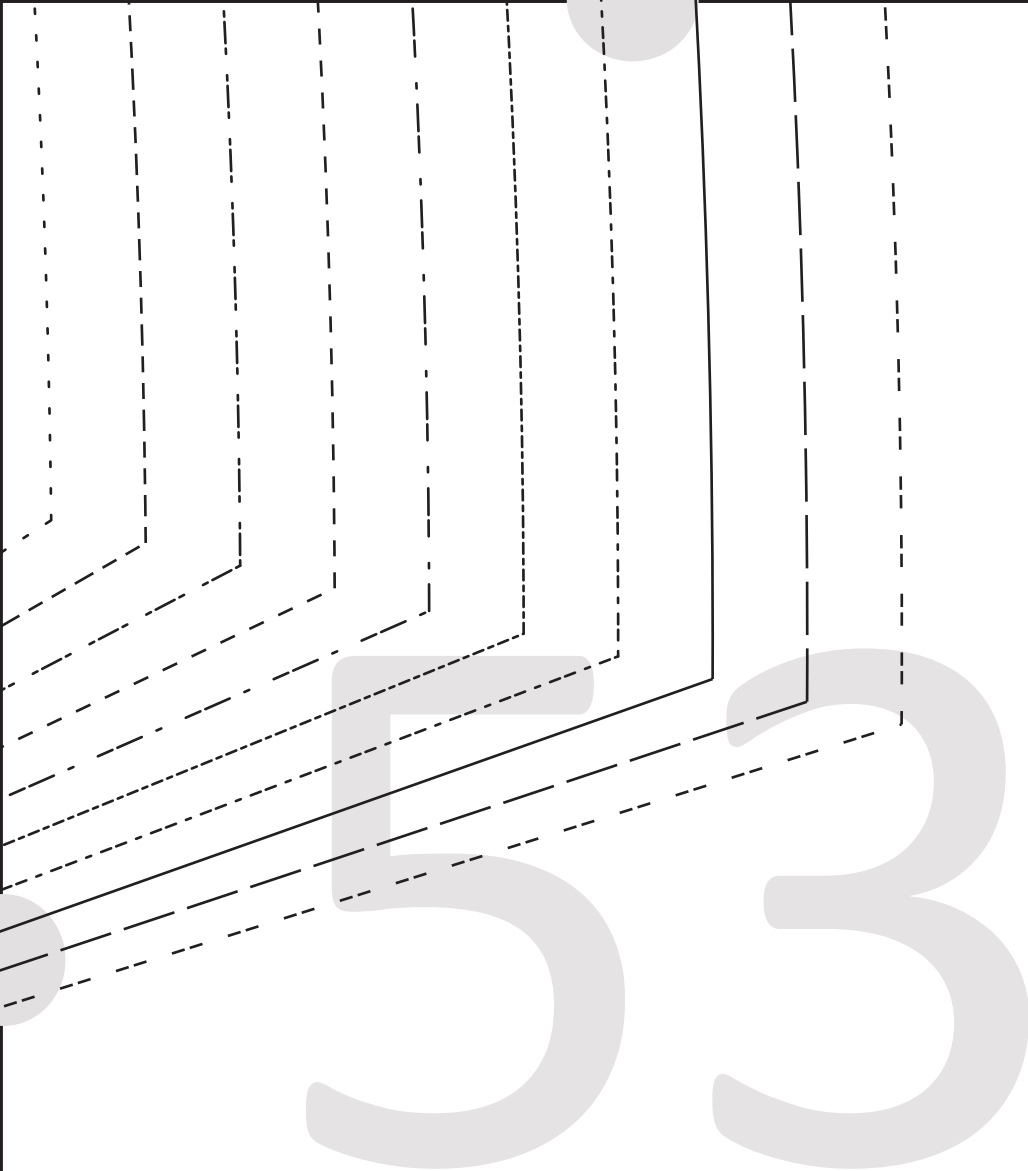
49







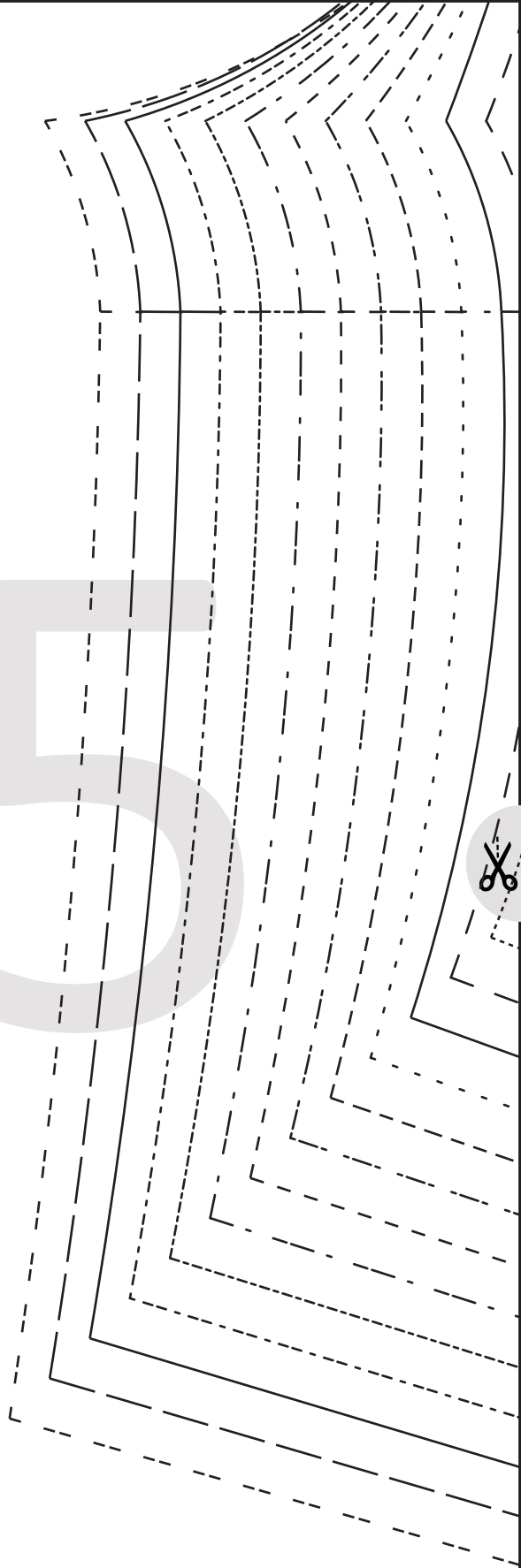




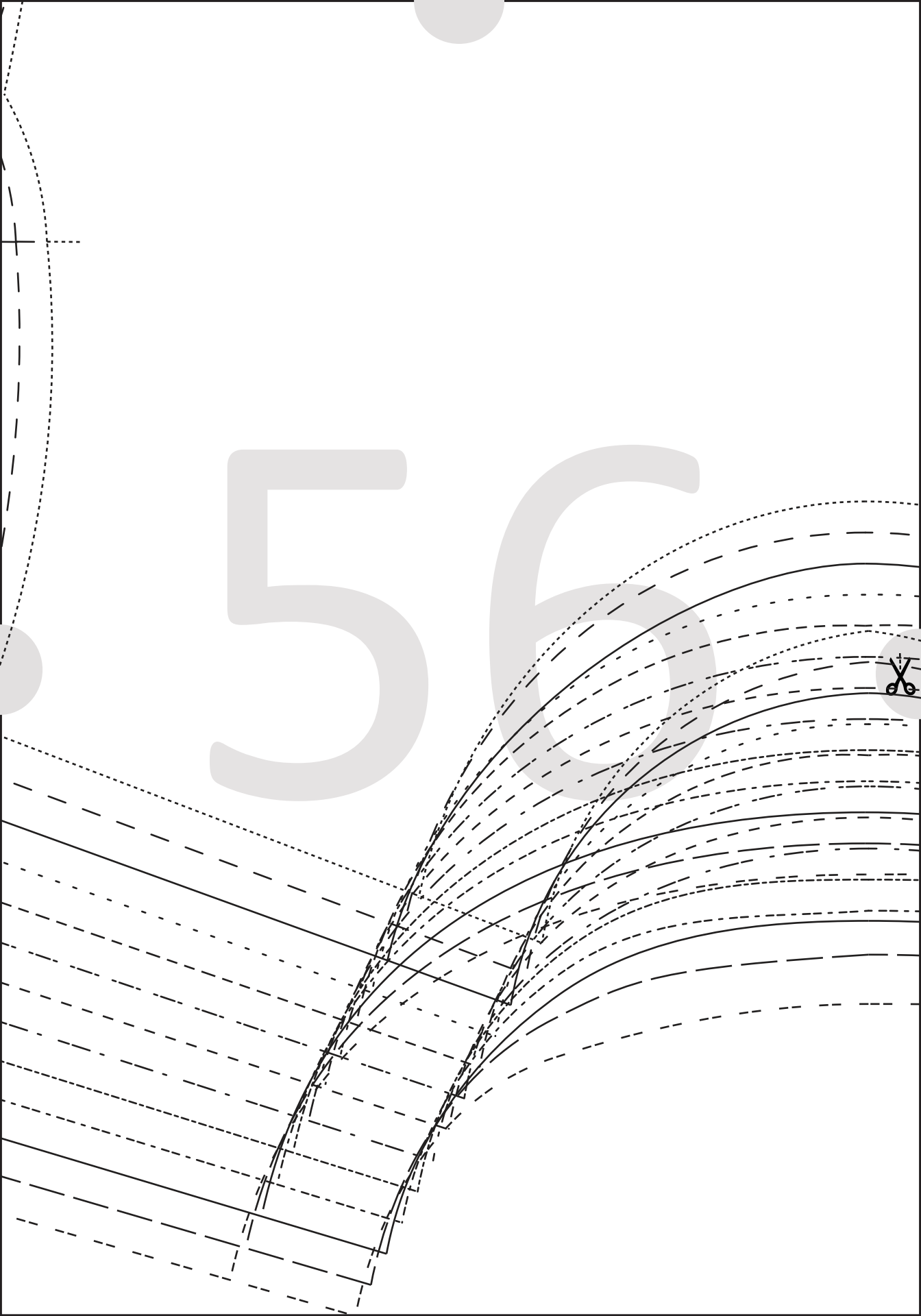
54



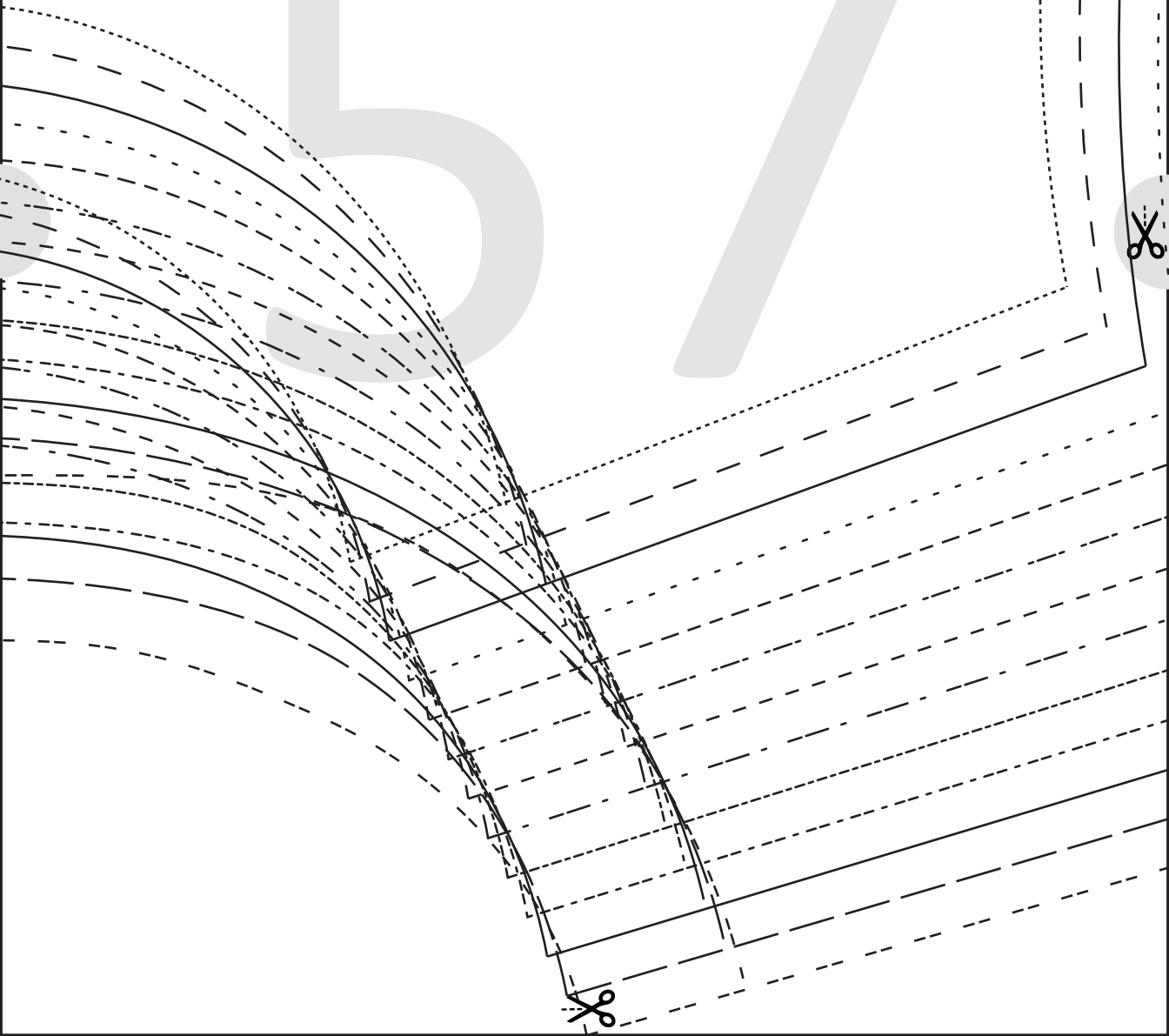
55

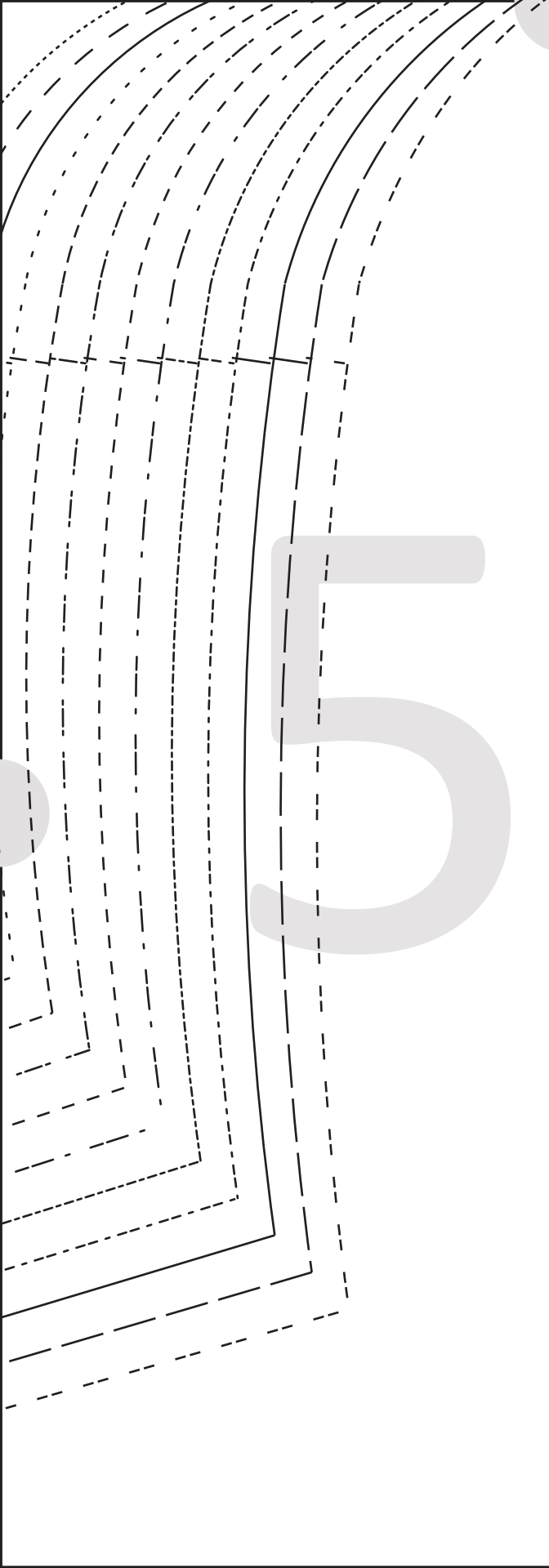


56

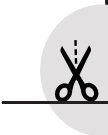
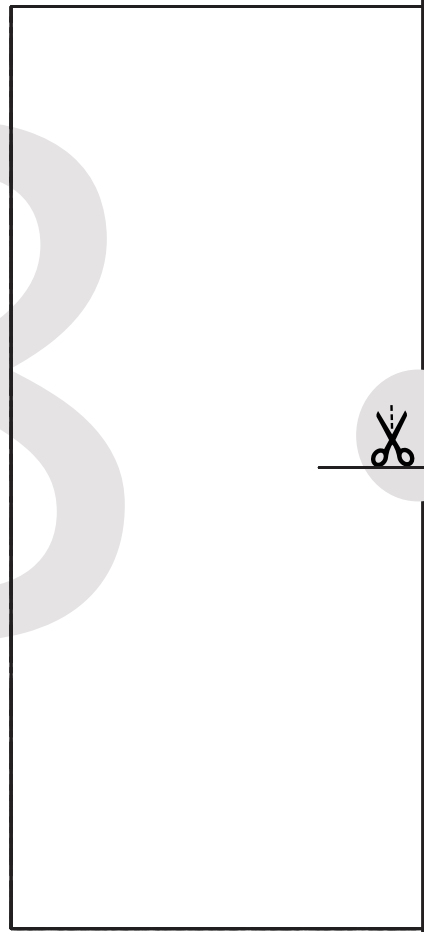


57





58





NOVA TWIST TOP
#0324

5

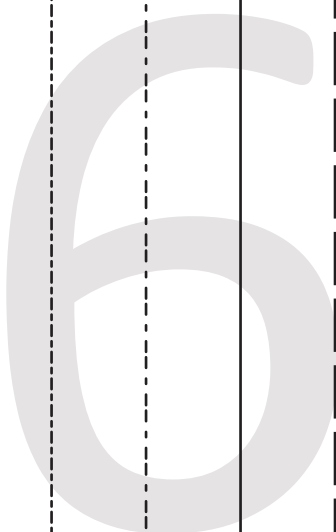
TURTLENECK COLLAR
CUT 1

(6mms (1/4") seam allowance unless otherwise stated)



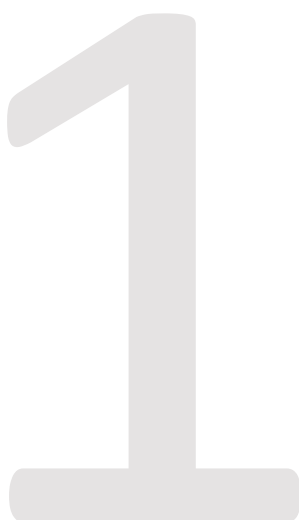
60





6

A large, light grey number '6' is centered on a writing grid. The grid consists of a solid top line, a dashed midline, and a solid bottom line. The number '6' is positioned between the dashed midline and the solid bottom line. The grid is divided into six vertical columns by solid lines, with dashed lines between the first and second, second and third, and third and fourth columns.



1

A large, light grey number '1' is positioned to the right of the number '6'. It is centered vertically between the dashed midline and the solid bottom line of the writing grid. The number '1' is positioned between the fourth and fifth columns of the grid.